

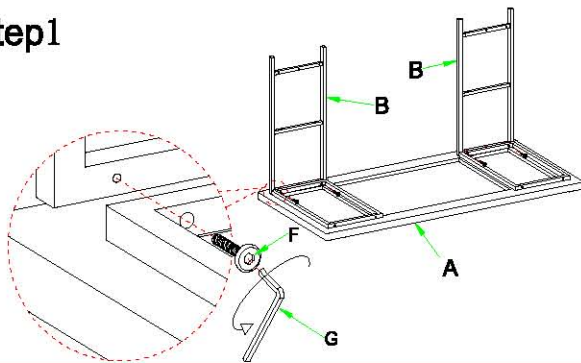
ASSEMBLY INSTRUCTION

SKU#13996331-000-000 Renate Desk

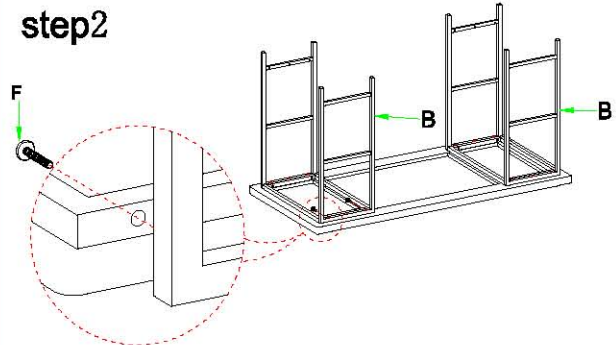
PARTS LIST

ITEM	DESCRIPTION	QTY	ITEM	DESCRIPTION	QTY
A	 TOP PANEL	1	E	 Ø1/4"X1" BOLT	8
B	 SIDE FRAME	4	F	 Ø1/4"X1-1/4" BOLT	24
C	 MIDDLE SHELF	2	G	 Allen Wrench	1
D	 BOTTOM SHELF	2	H	 screw	12

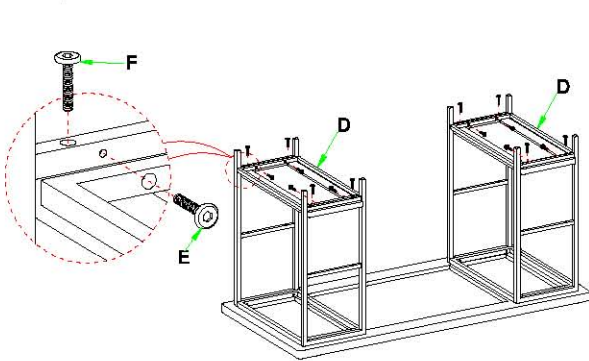
step1



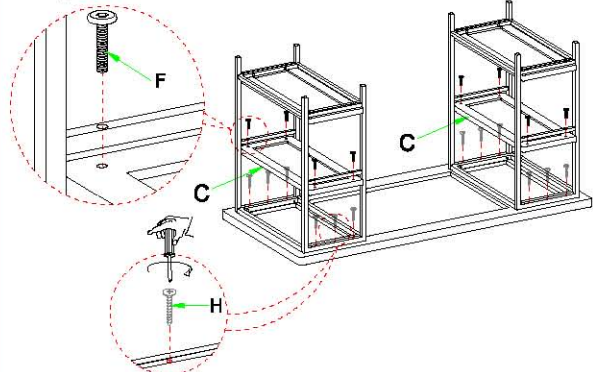
step2



step3



step4



Step1/2: Lay down the Top panel upside down on the flat surface, first Attach the side frame to the top panel using the bolts(F) and the Allen Wrench, Tighten slightly not fully.

Step3: To attach the bottom shelf to the the side frames using the bolts (E&F) and the Allen Wrench, Tighten slightly not fully.

Step4: To attach the middle shelf to the side frames using the bolts(F) and the Allen Wrench, Then using screws(H) tighten, Tighten all bolts before using the desk .

Step 5: Place the desk as pictured.

step5

