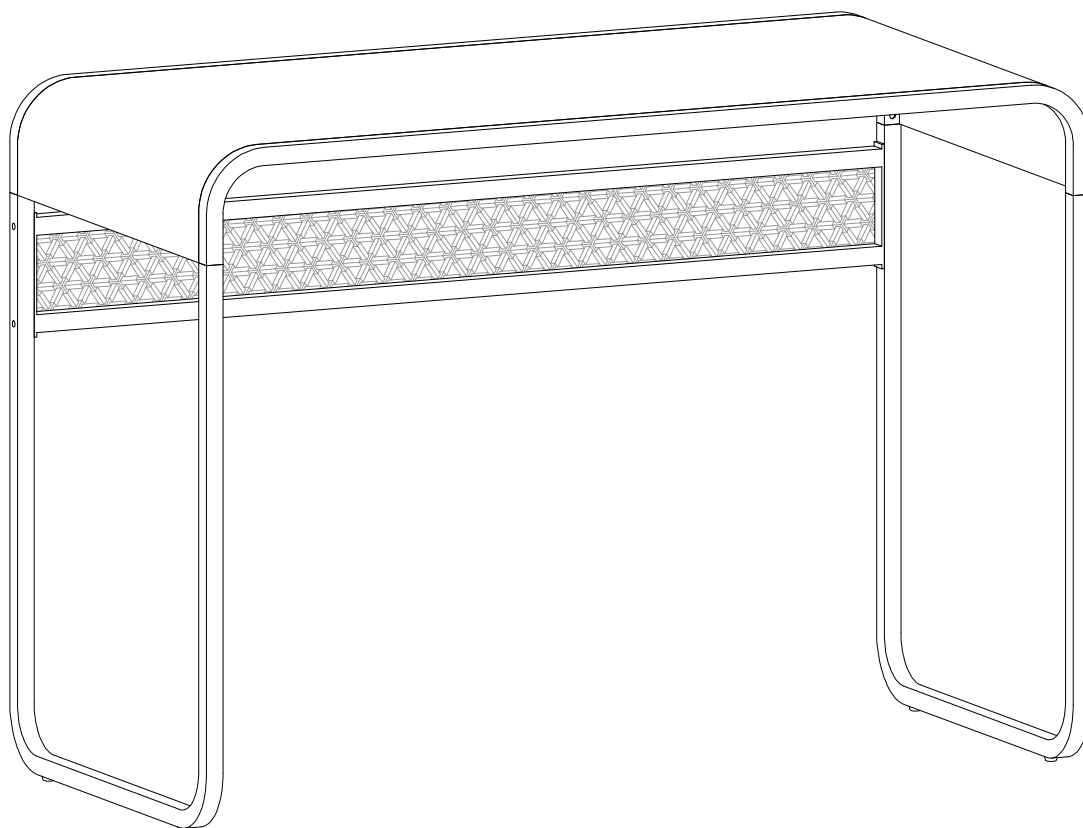


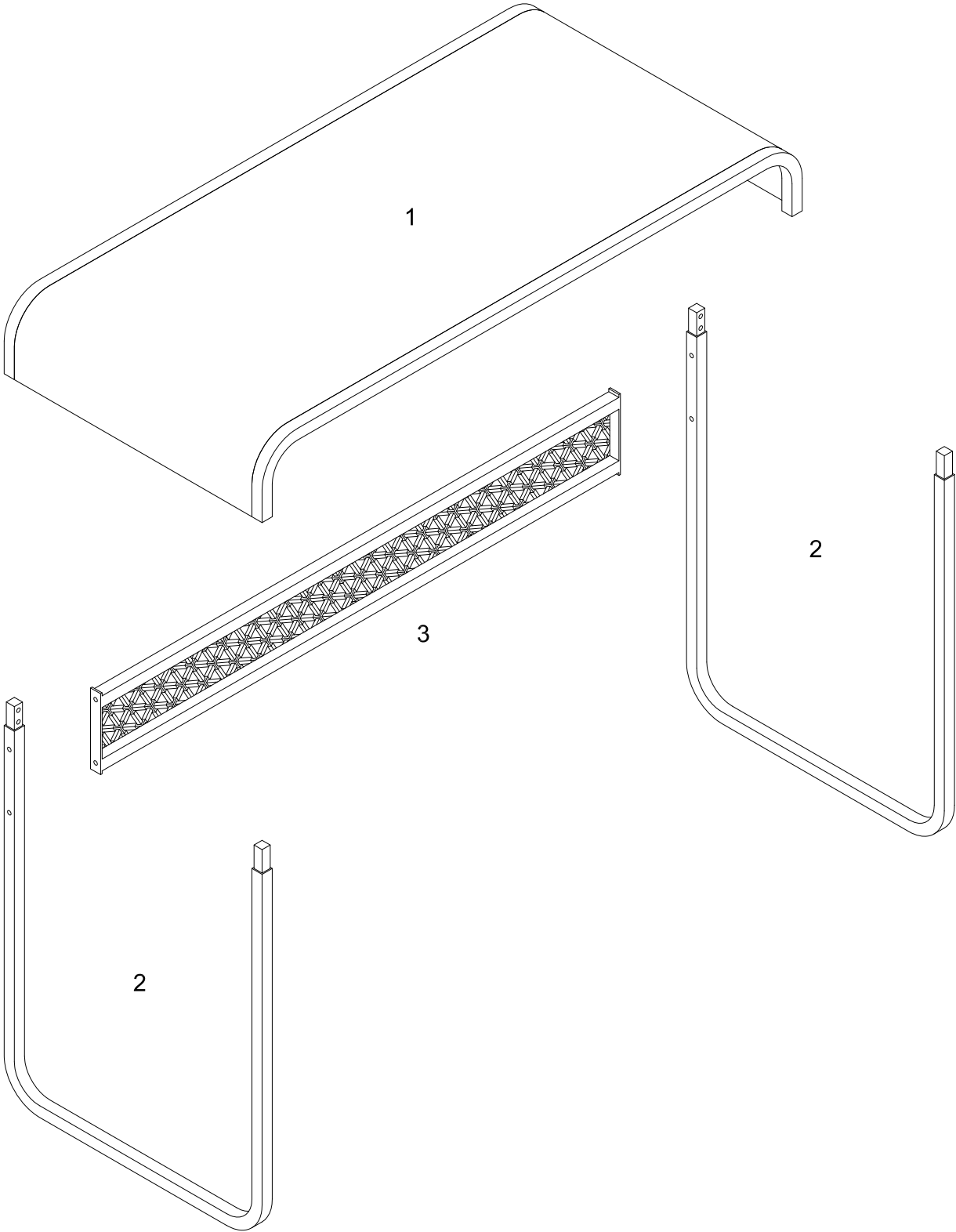
Item # : DM42CUR
Assembly Instructions



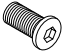
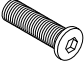

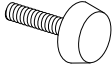
Please visit our website for the most current instructions, assembly tips, report damage, or request parts. www.walkerredison.com

Revised 05/09/2018

Parts List

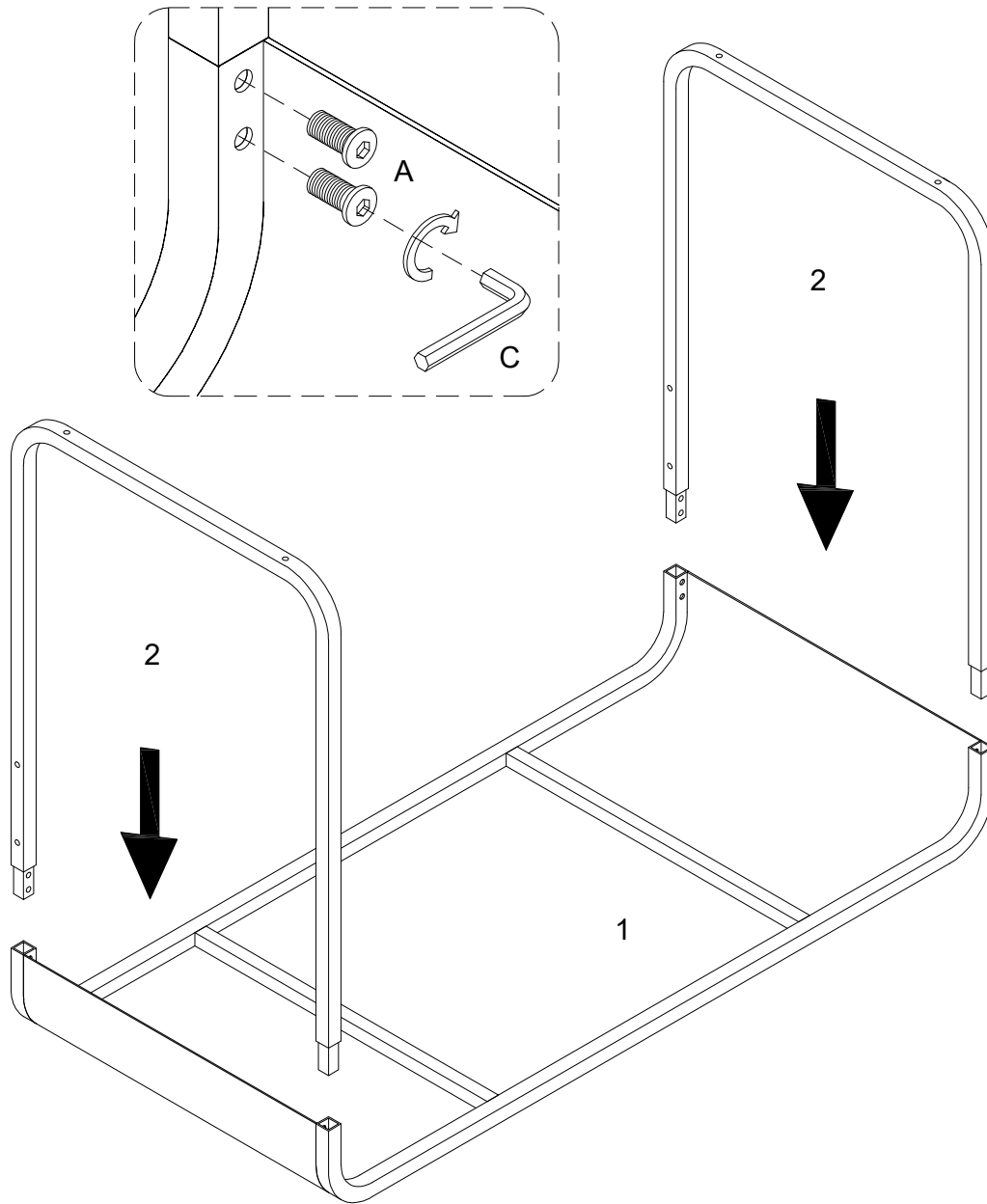


Hardware List

A		Ø1/4"x12mm	Bolt	8 pcs
B		Ø1/4"x25mm	Bolt	4 pcs
C		M 4	Hex Key	1 pcs
D		Ø16mm	Adjustable foot	4 pcs

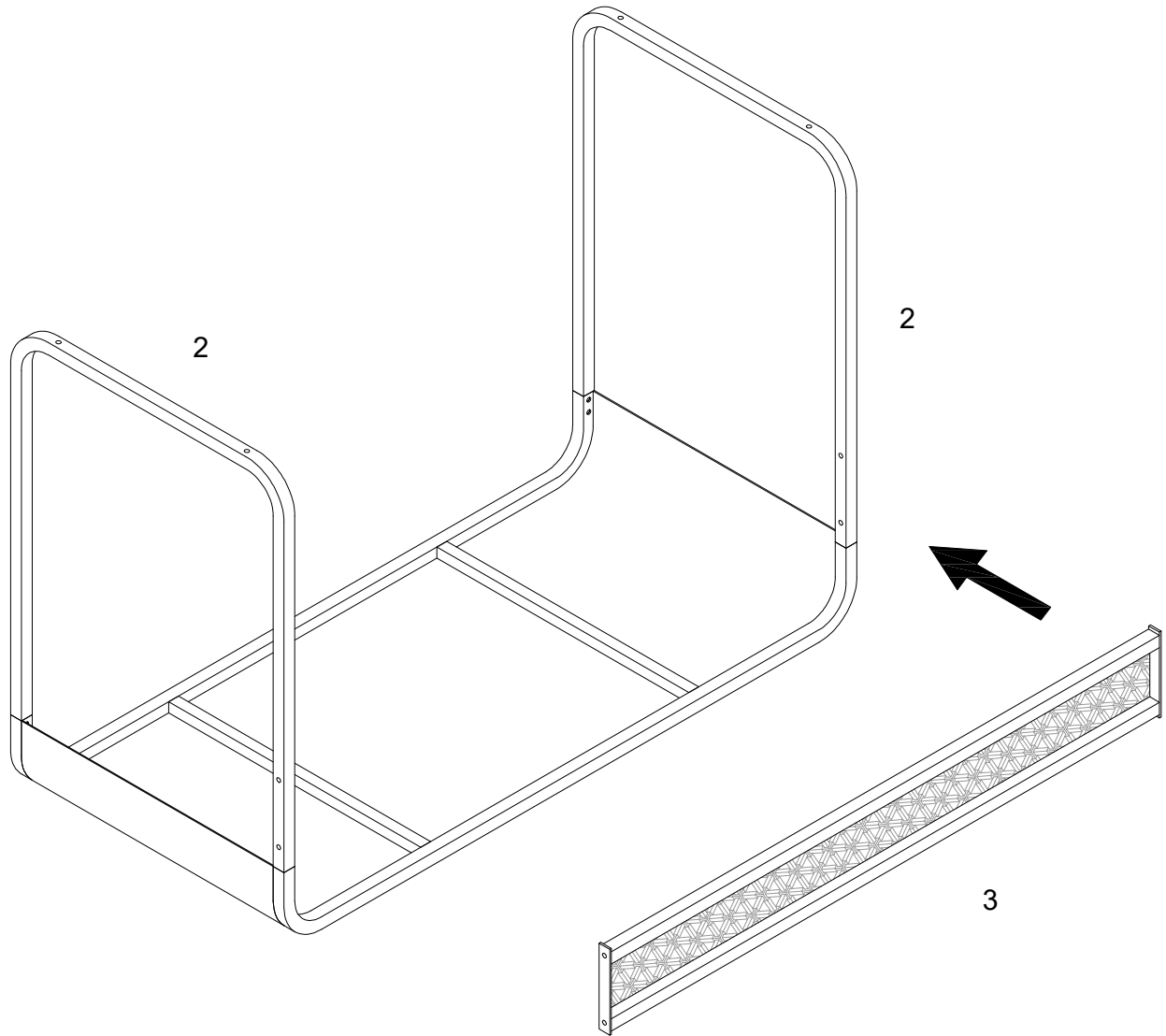
*The hardware quantities listed above are required for proper assembly.
Some extra hardware may also have been included.*

Step 1



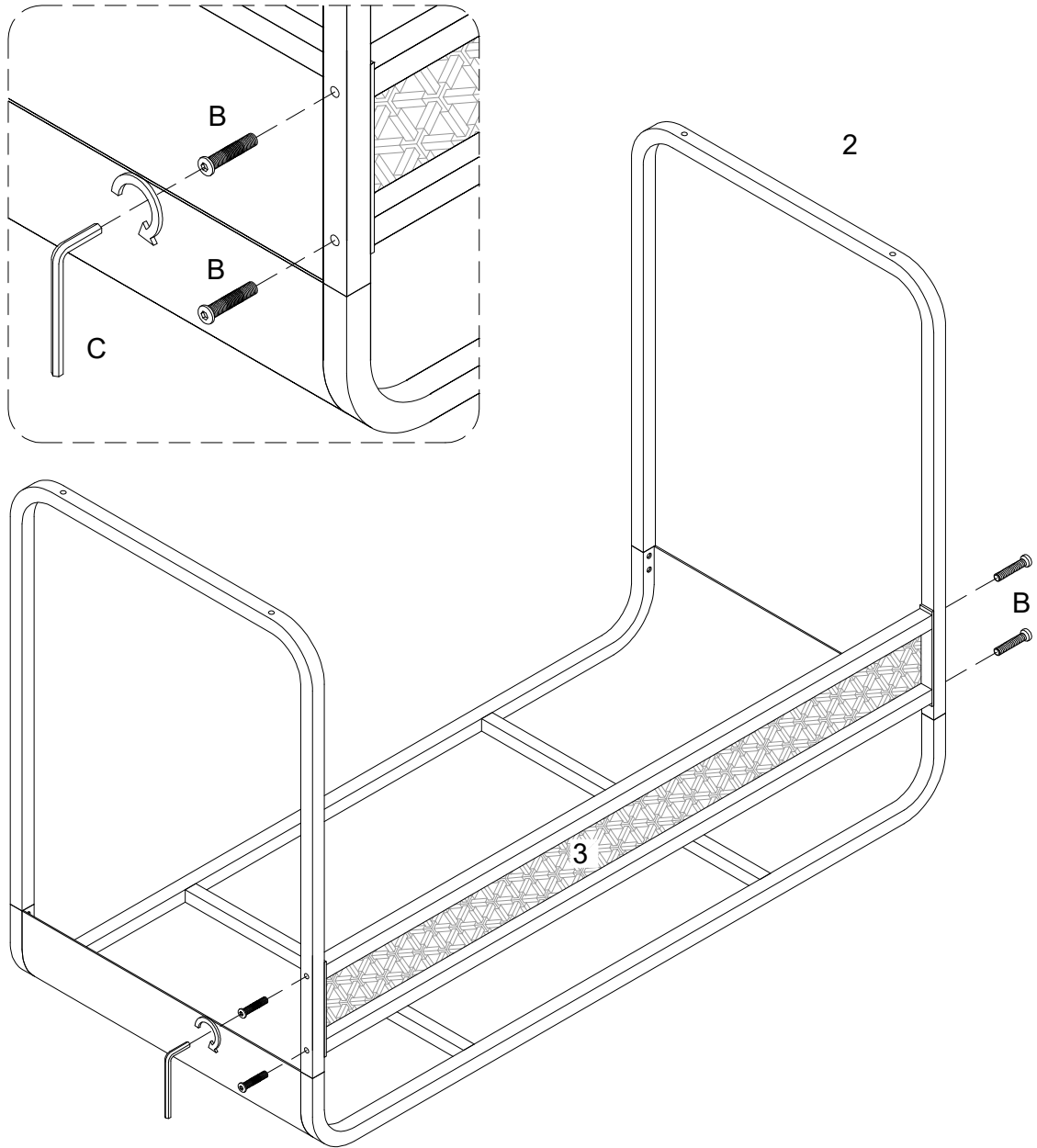
Attach part (2) to part (1) using bolt (A) with hex key (C).

Step 2



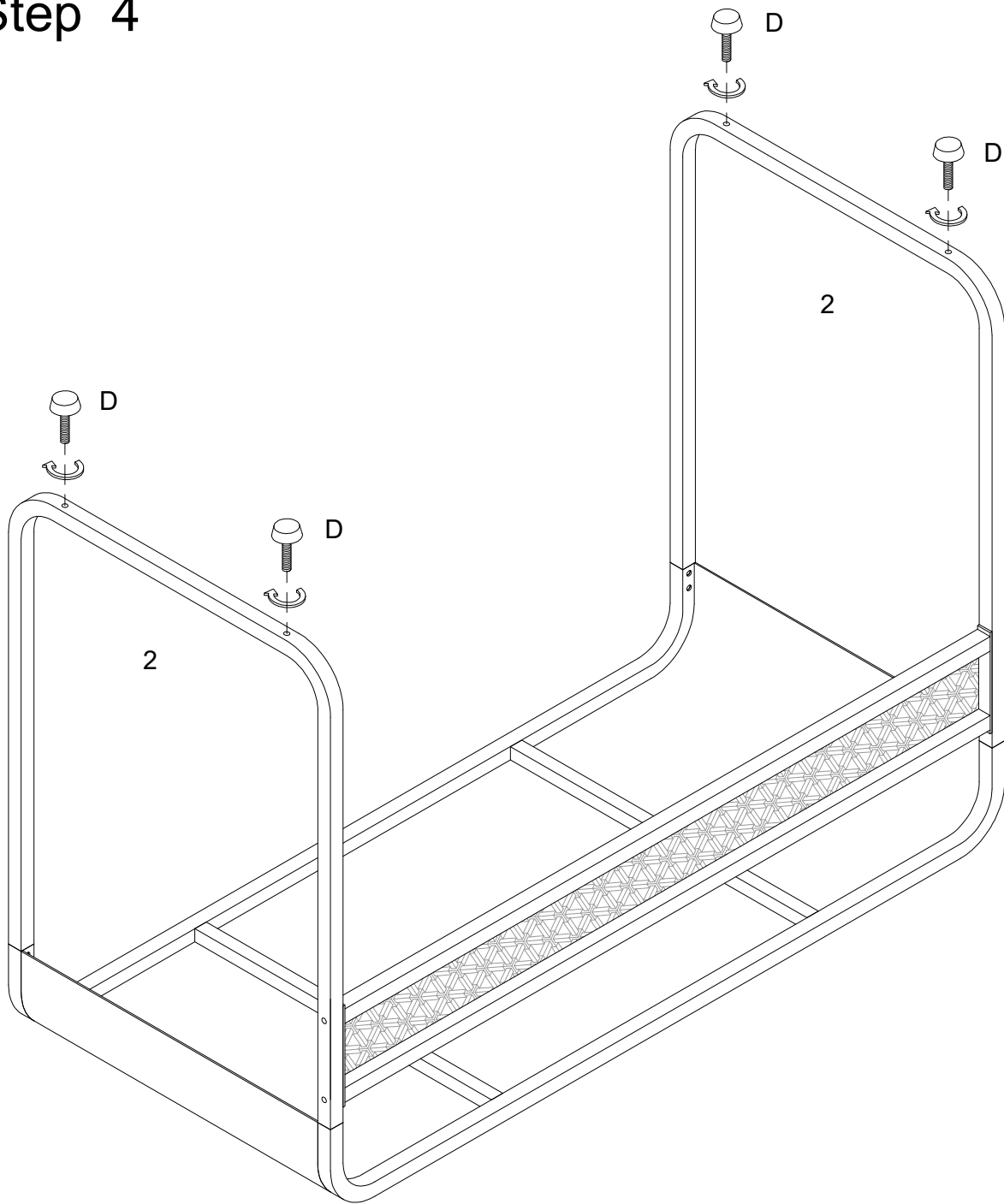
Attach part (3) to part (2), and hold it.

Step 3



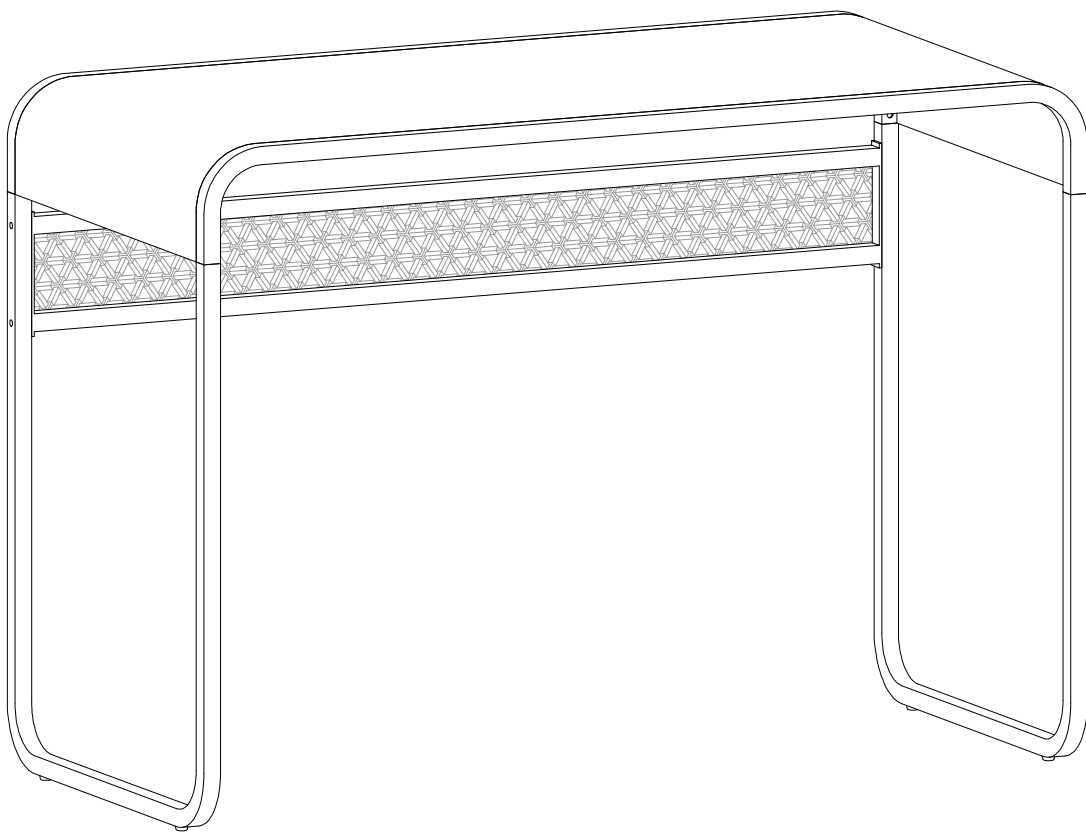
Then using bolt (B) with hex key (C) to secure part (3) to part (2).

Step 4



Screw adjustable feet (D) onto part (2) as per diagram.

Step 5



Final Assembly