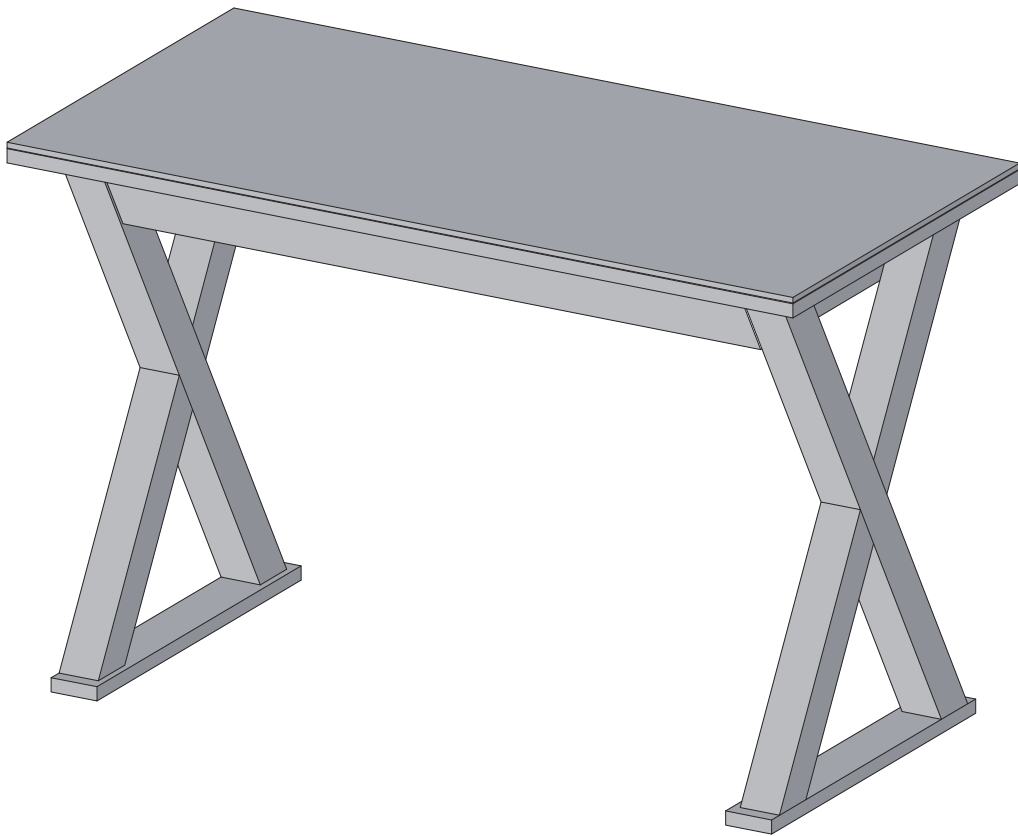


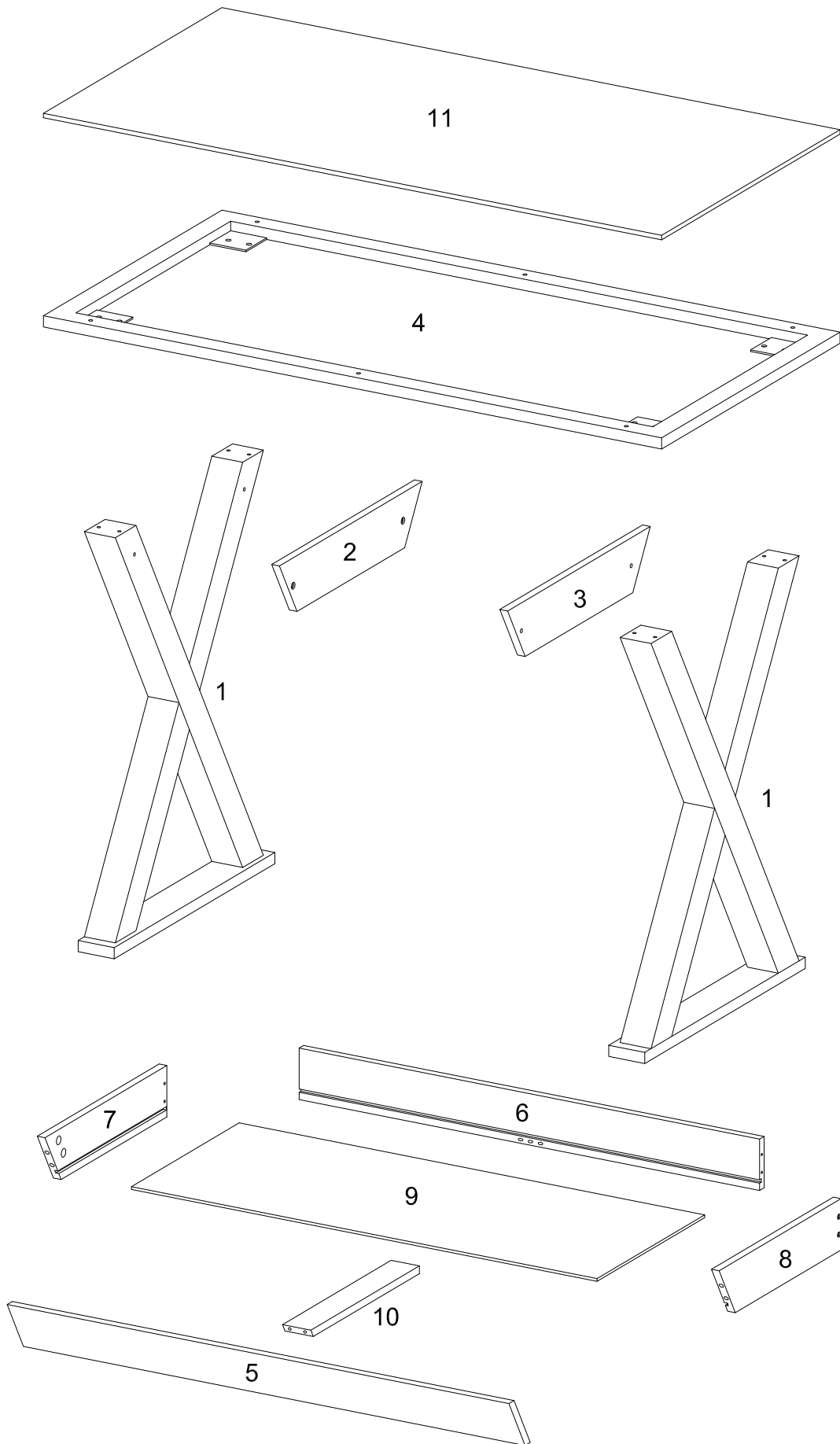
Item # : D48X30
Assembly Instructions







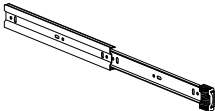

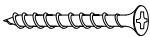






Please visit our website for the most current instructions, assembly tips, report damage, or request parts. www.walkeredison.com

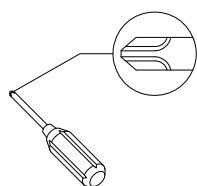
Revised 03/2017

Parts List



Hardware List

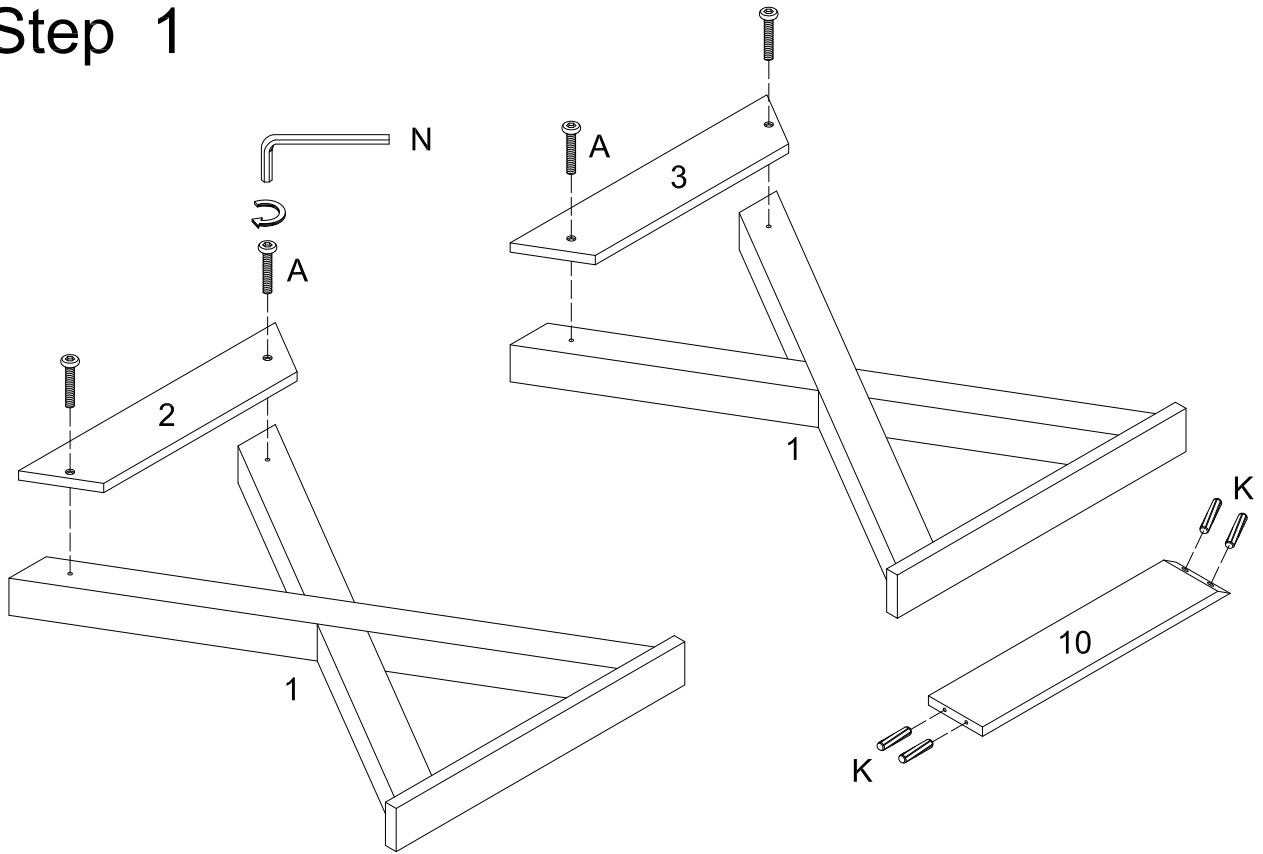
A		M6*22	Long boot	4 pcs
B		M6*15	Short boot	8 pcs
C			Spring washer	8 pcs
D			Washer	8 pcs
E			Keyboard tray slider	2 pcs
F		M4*15	Screw	8 pcs
G		M4*35	Screw	5 pcs
H			Cam bolt	4 pcs
J			Cam lock	4 pcs
K			Wooden dowel	4 pcs
L			Rubber suction cups	6 pcs
M			Sticker	4 pcs
N		M4	Wrench	1 pc



Philips head screwdriver required for assembly
(not included)

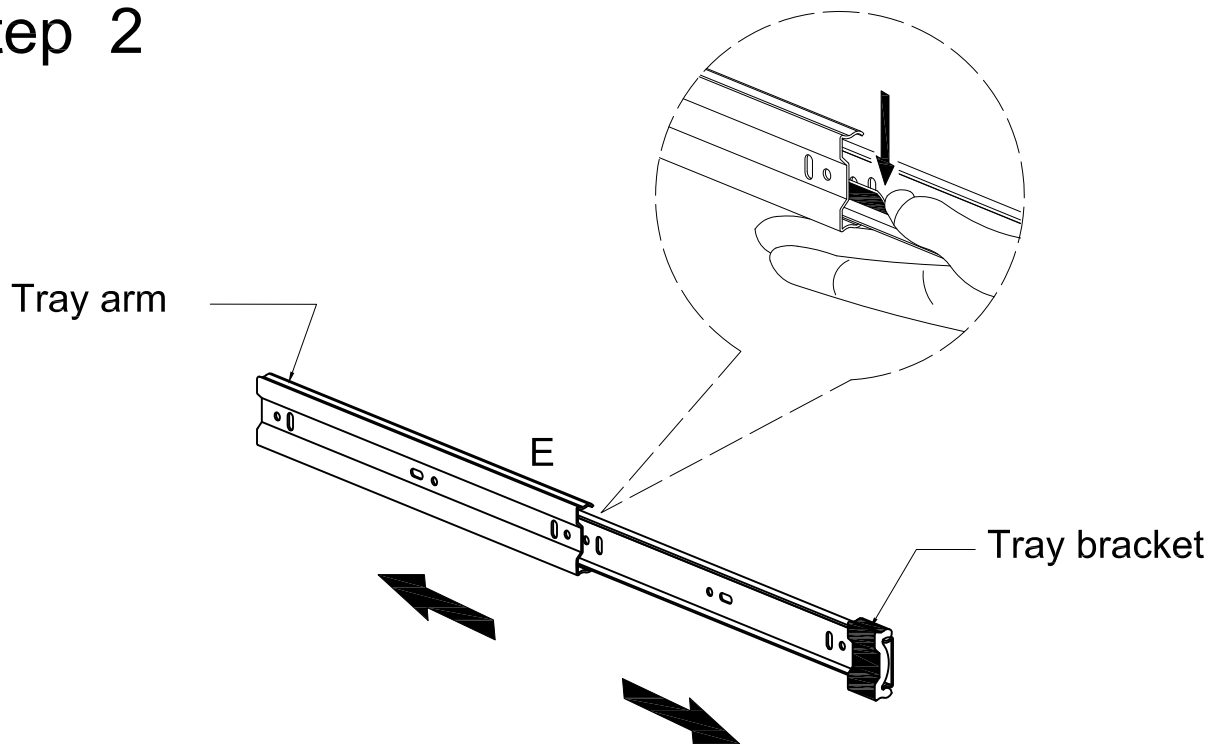
*The hardware quantities listed above are required for proper assembly.
Some extra hardware may also have been included.*

Step 1



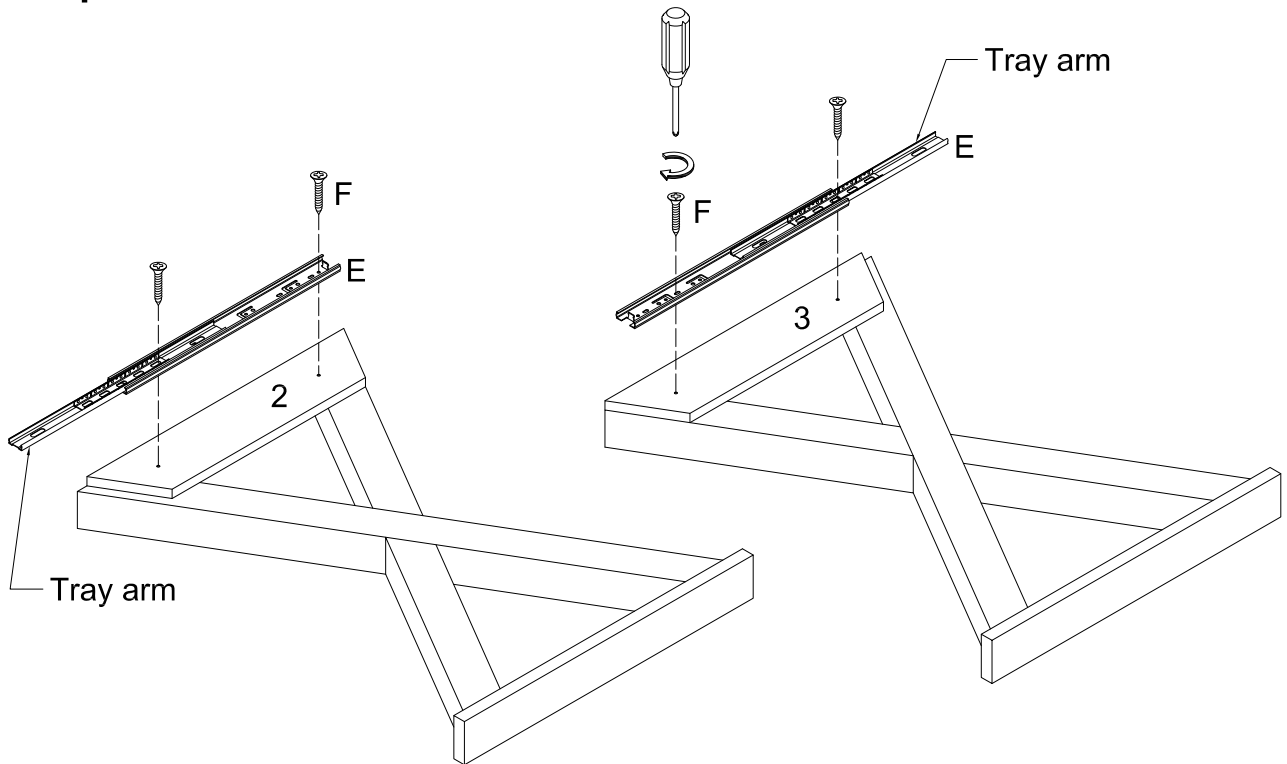
Attach Side Panel (2) & (3) with Screws (A) to the Legs (1), Insert the Wooden Dowels (K) into the Support Bar (10).

Step 2



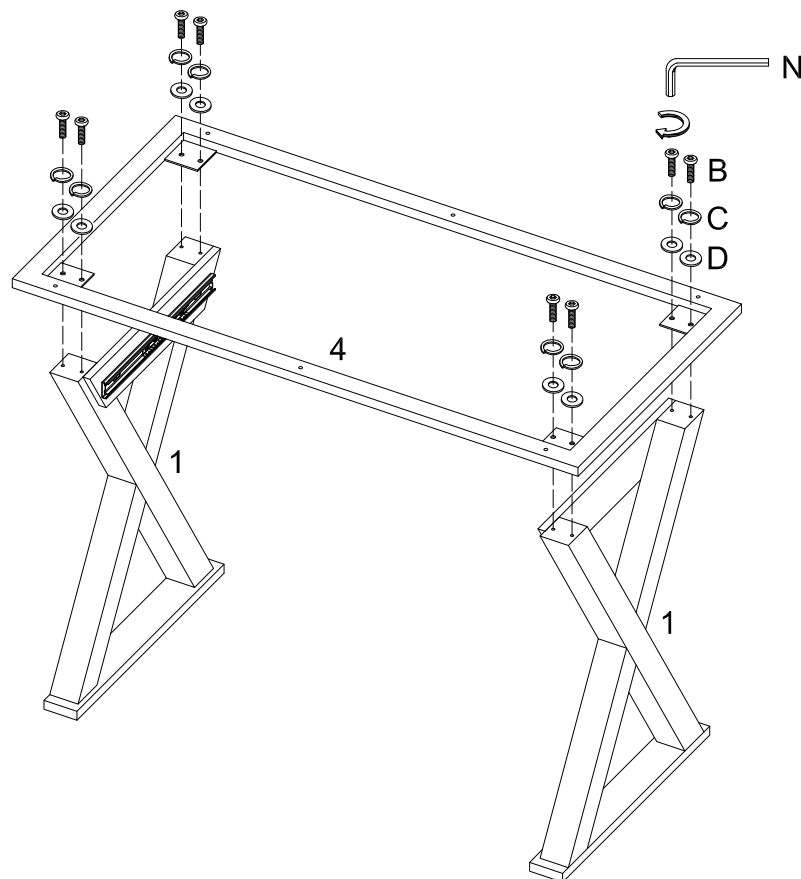
Disassemble keyboard tray slider (E) by sliding the tray arm and the tray bracket apart. Depress the small lever on the tray bracket and carefully pull the two pieces apart. Repeat this process for both keyboard tray sliders (E).

Step 3



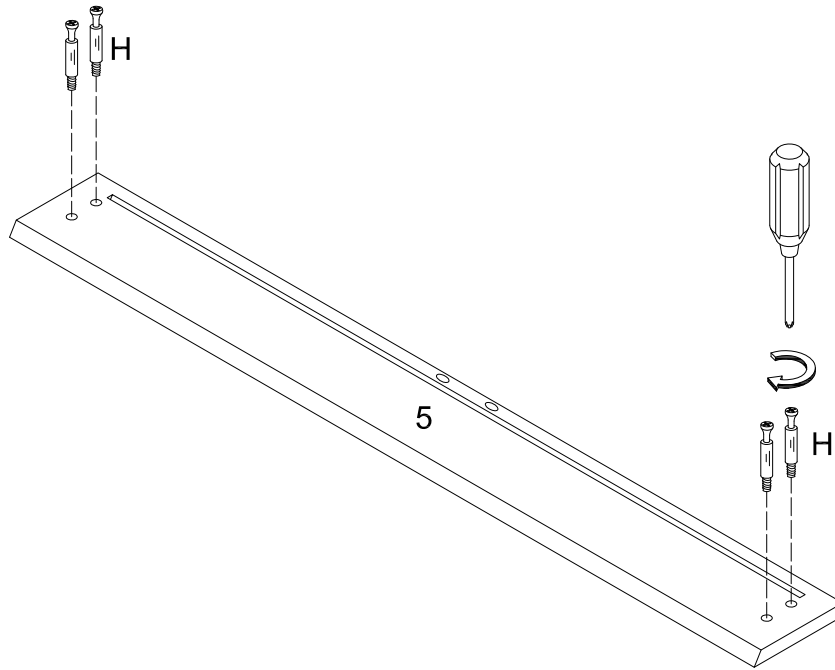
Attach the tray arms of keyboard tray sliders (E) on the Panels (2) & (3) and secure it by Screws (F).

Step 4



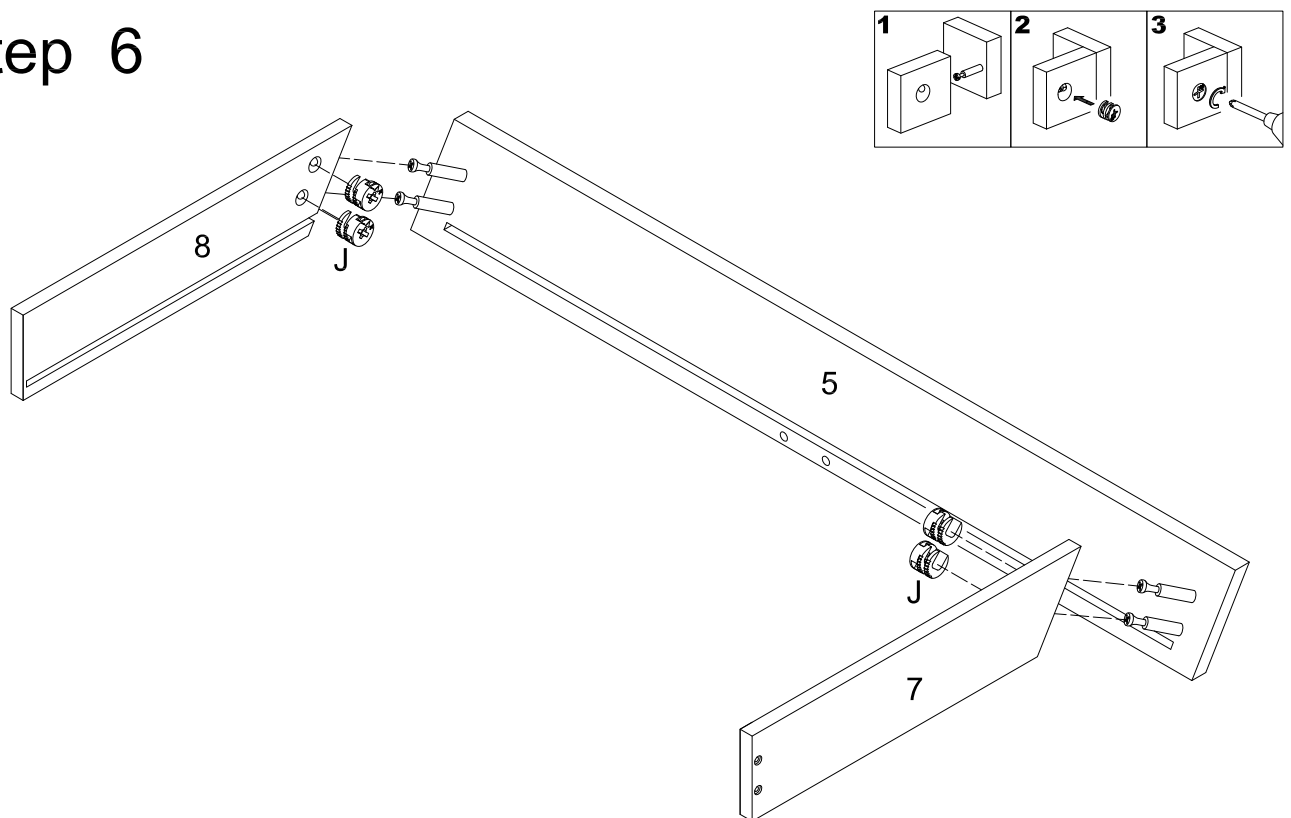
Right up both Legs (1) and place the Frame (4) on top and secure it by using Bolts (B), Spring washers (C), Washers (D) and the Wrench (N).

Step 5



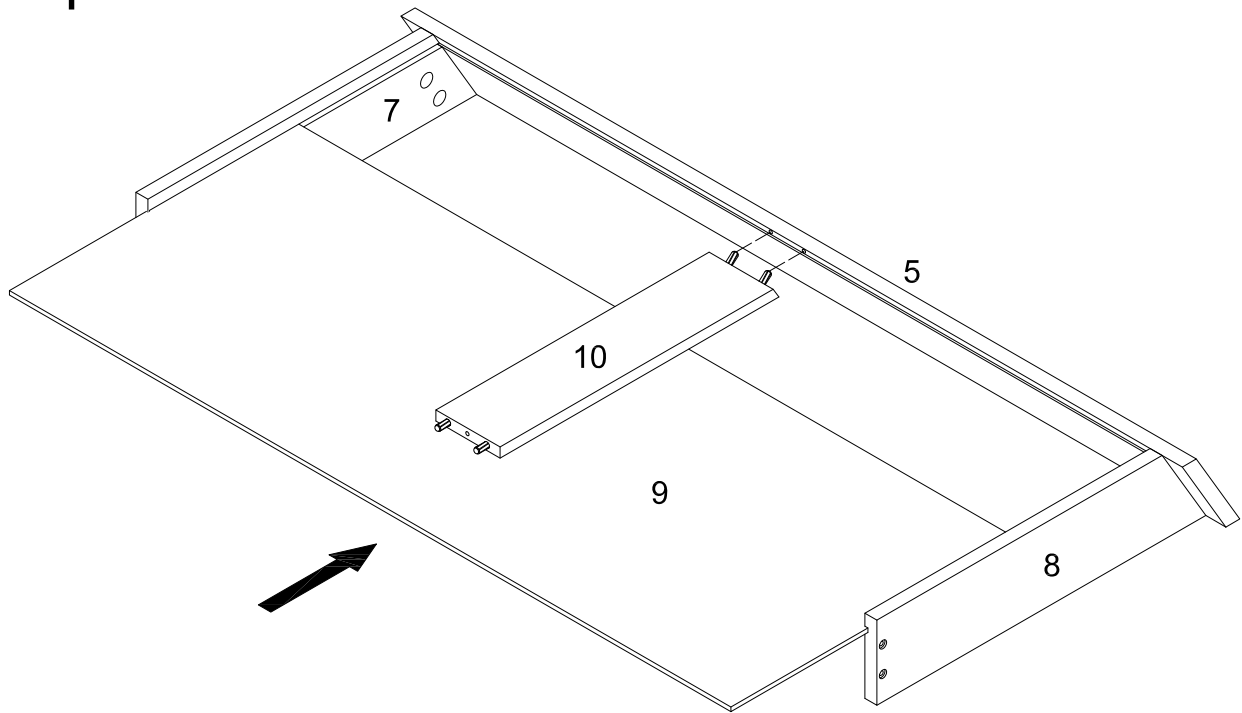
Insert the Cam Bolt (H) with the Screw Driver to the Drawer Front Panel (5).

Step 6



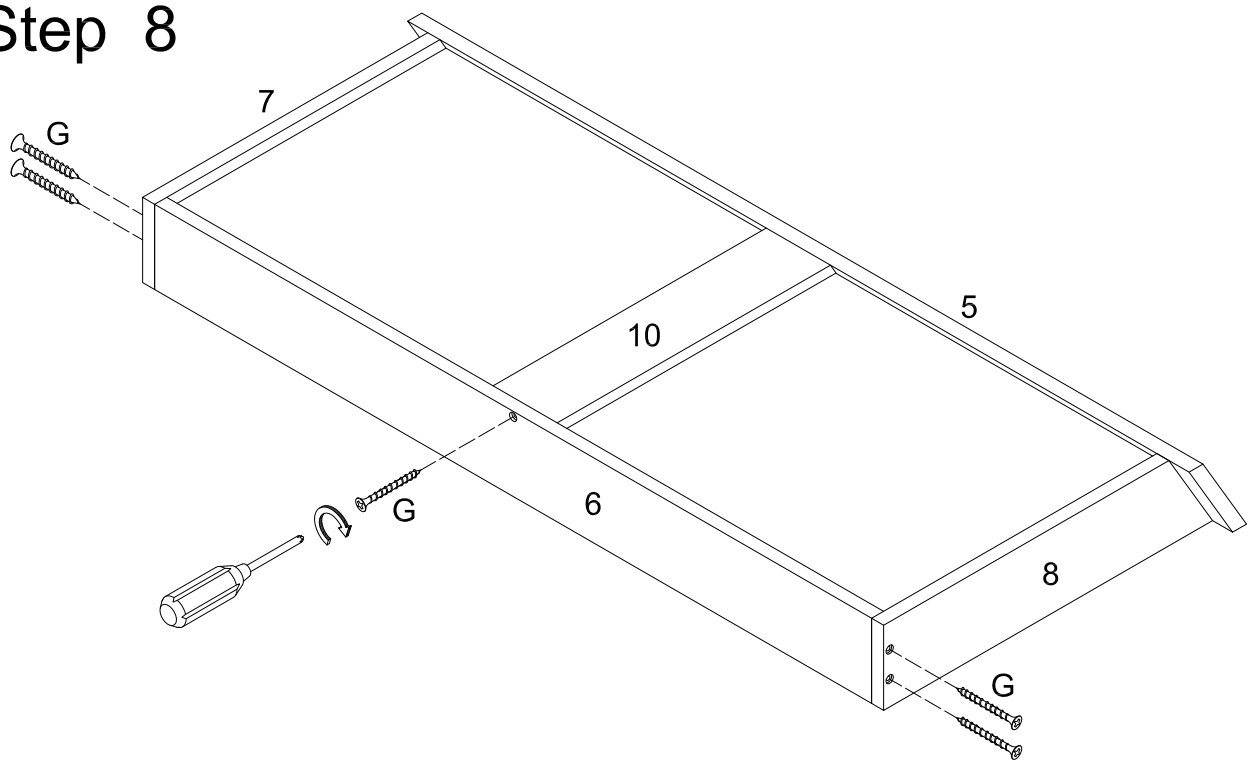
Attach the Front Panel and secure it with the Cam lock (J) for both side.

Step 7



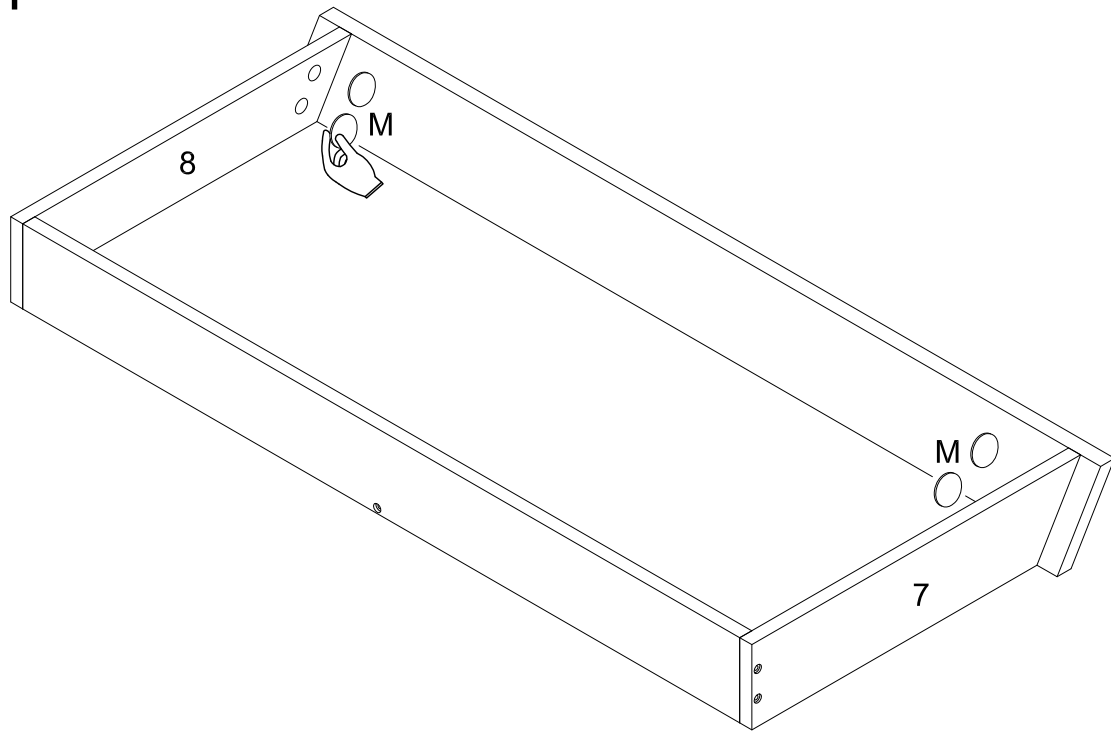
Attach support bar (10) to the drawer front panel (5) with wooden dowels. Upside Down the Drawer unit and Slot in the Drawer bottom board (9) to the unit.

Step 8



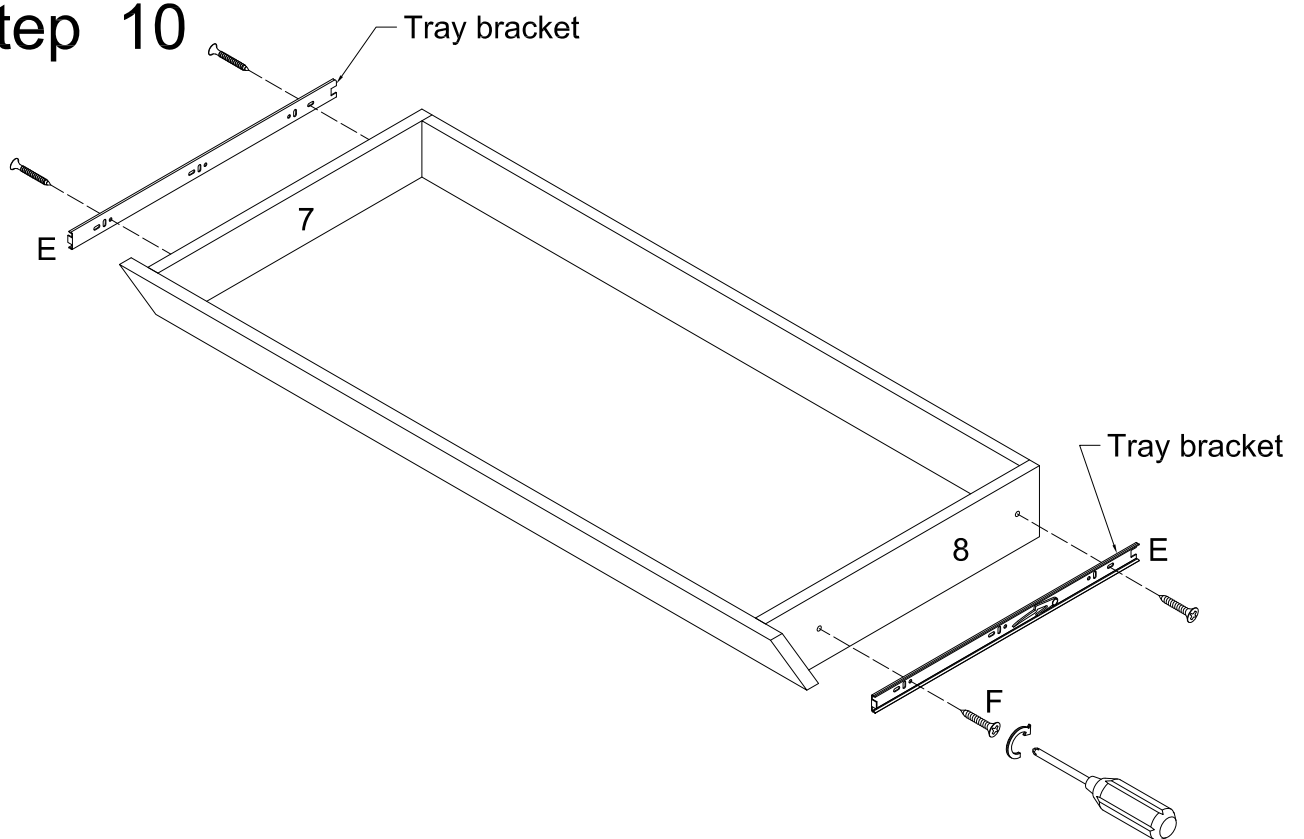
Attach the Side Panels (7) & (8) ,Support Bar (10) to the Drawer Back Panel (6) and secure it with the Screw (G).

Step 9



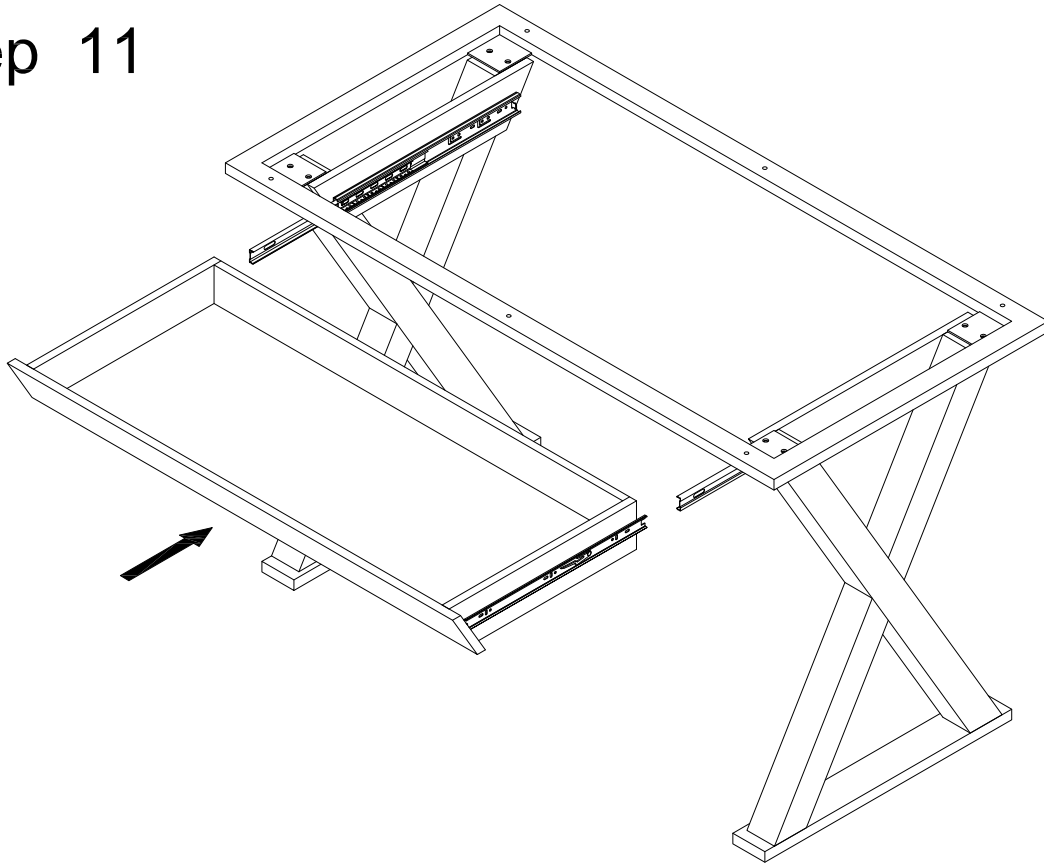
Cover all visible cam locks with stickers (M) as desired.

Step 10



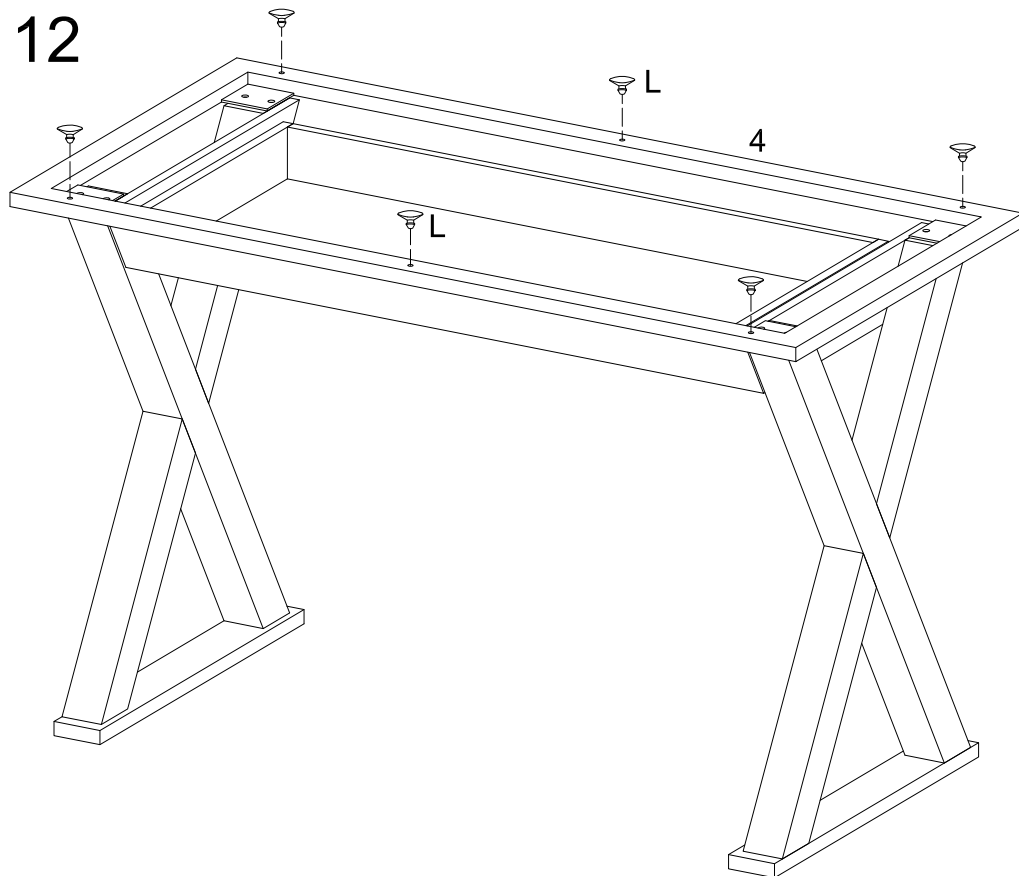
Attacher the tray bracket of keyboard tray sliders (E) on the Drawer Side Panels (7) & (8) by using Screws (F) and the Screw Driver.

Step 11



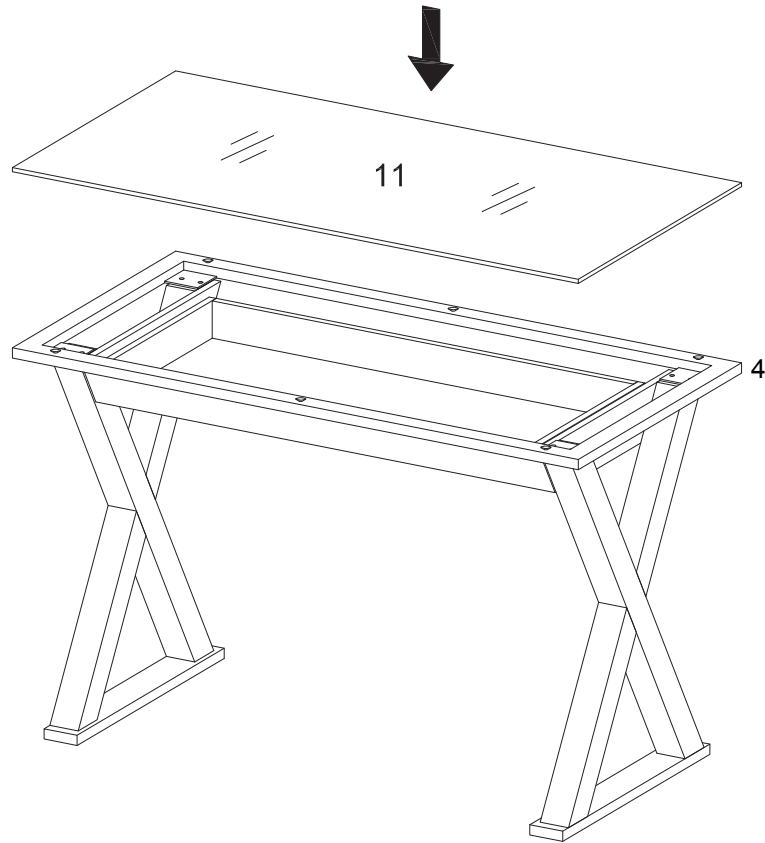
Insert the Drawer Rails to the Frame Rails carefully for the drawer setup.

Step 12



Insert the Rubber Suction Cups (L) into the per drilled hold on the Frame (4).

Step 13



Place the Tempered Glass (11) on top of the Frame (4) and finished.

Step 14



Final Assembly