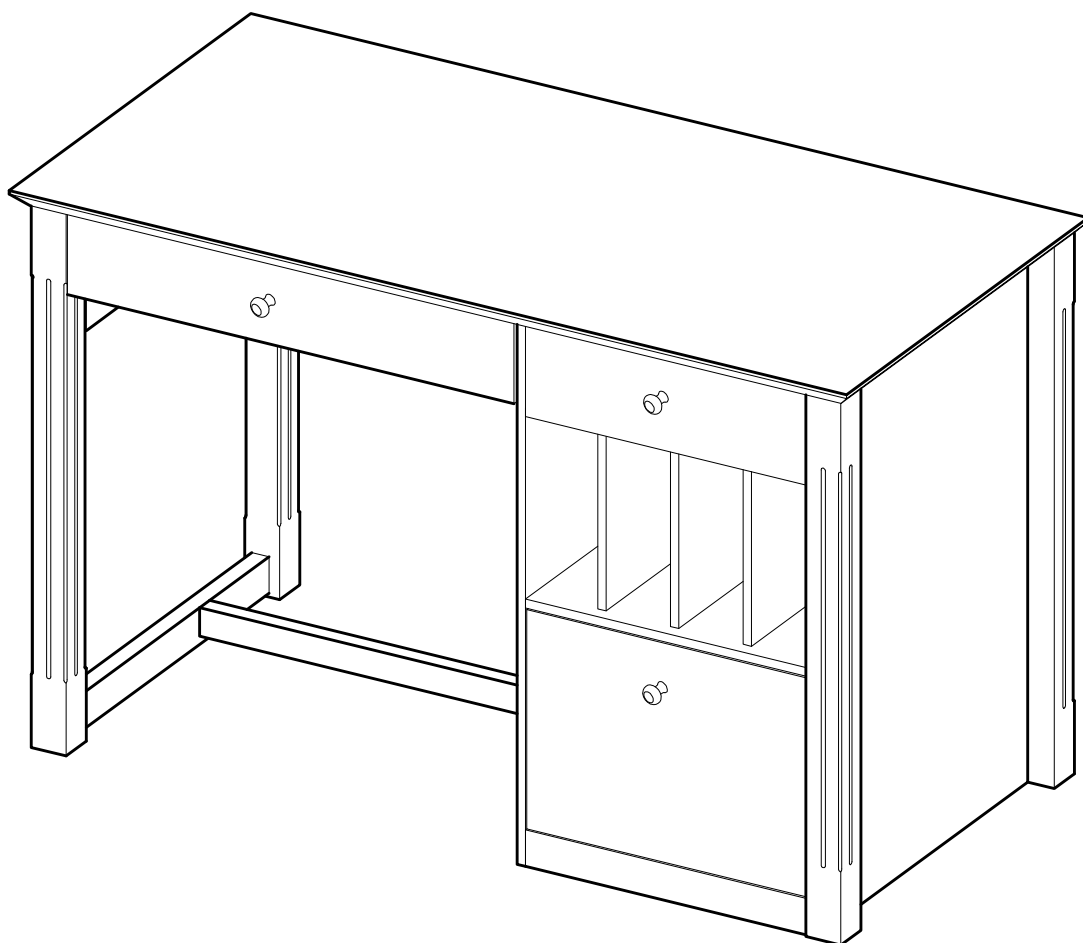


ITEM # : DW48D30
Assembly Instructions

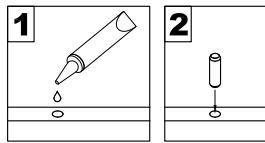


Please visit our website for the most current instructions, assembly tips, report damage, or request parts. www.walkerediton.com

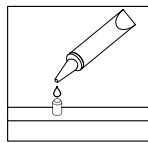
Revised 03/2018

General Assembly Guidelines

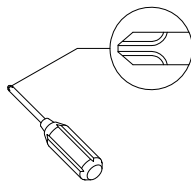
- I. Insure that all parts and hardware are available before beginning assembly.
- II. Follow each step carefully to insure the proper assembly of this product.
- III. Two people are recommended for ease in the assembly of this product.
- IV. The main types of hardware used to assemble this product are wood dowels, cam bolts and locks, bolts and screws.
- V. The provided glue is to secure wood dowels in place. When first inserting dowels, locate the appropriate hole for the dowel, place a small amount of glue in the hole and insert the dowel. Wipe away excess glue immediately.



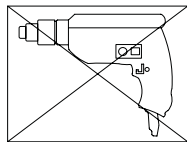
In future assembly steps when dowels are necessary to attach assembly parts together, place a small amount of glue on the end of the dowel before attaching parts together. Wipe away excess glue immediately.



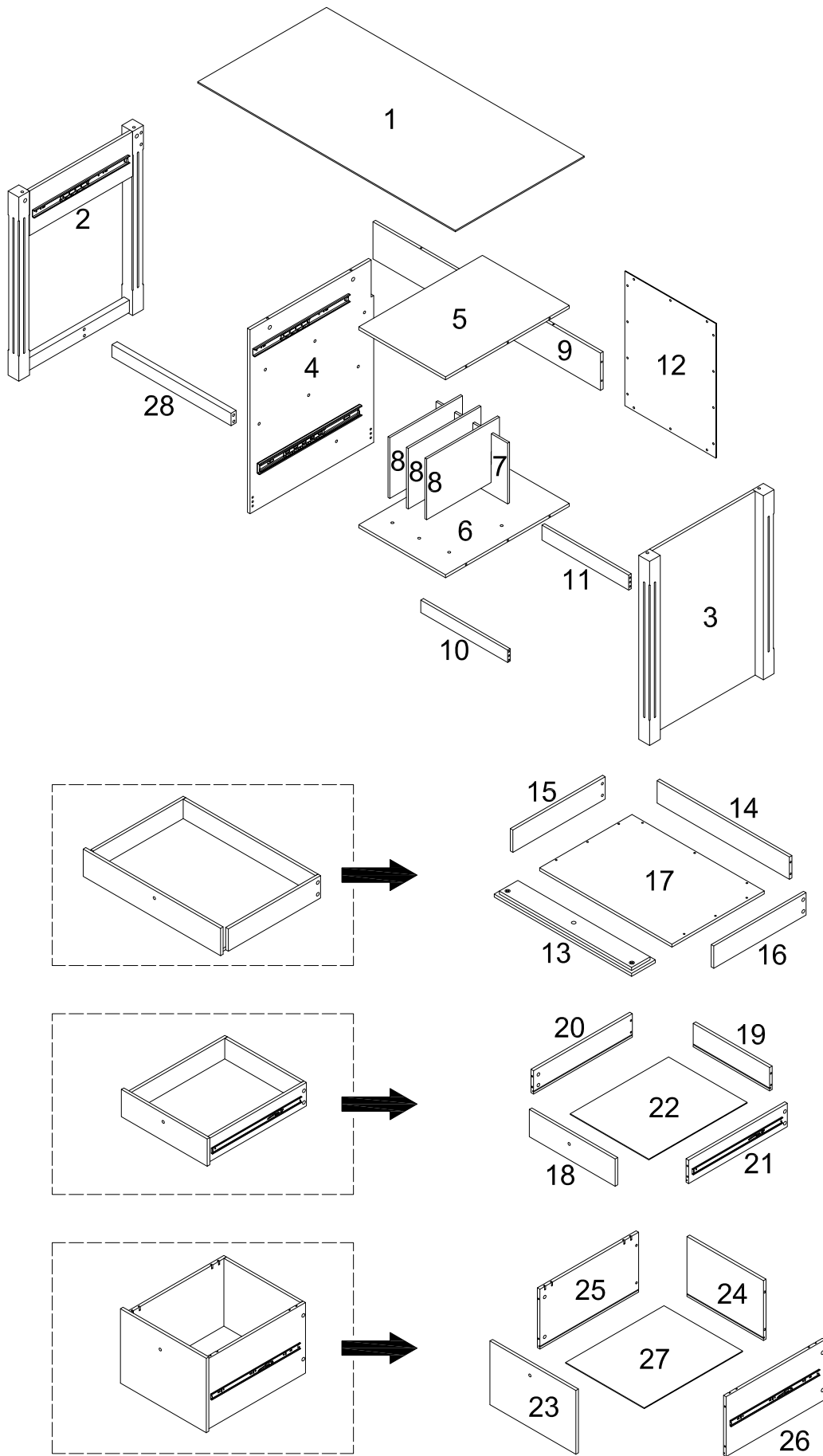
- VI. A Phillips head screwdriver is required for the assembly of this product.











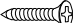
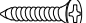










- VII. Power tools should not be used to assemble this product.



Parts List

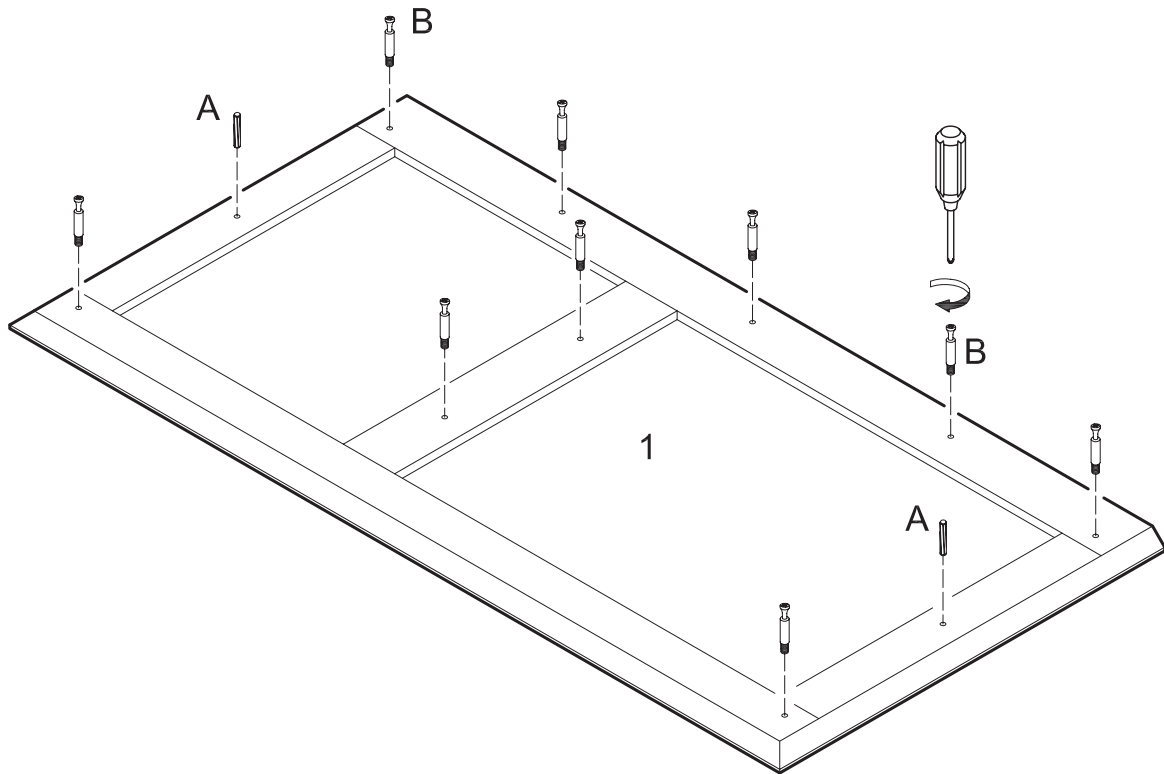


Hardware List

A		M6*30(mm)	Wooden dowel	19 pcs
B			Cam bolt	33 pcs
C			Cam lock	33 pcs
D		M3.5*25(mm)	Screw	21 pcs
E		M3*12(mm)	Screw	14 pcs
F			Hinge lock	1 pc
G			Hinge lock	1 pc
H			Hinge	2 pcs
J		Ø3*10(mm)	Screw	8 pcs
K		Ø3.5*10(mm)	Screw	12 pcs
L			Screw	3 pcs
M			Knob	3 pcs
N			Cross bar	2 pcs
P			Slippery track	1 pc
Q			Slippery track	1 pc
R			Glue tube	1 pc
T			Barrel nut	2 pcs
U		M6*50(mm)	Round head bolt	2 pcs
V		M8*30(mm)	Wooden dowel	2 pcs
W			Cap	1 pc

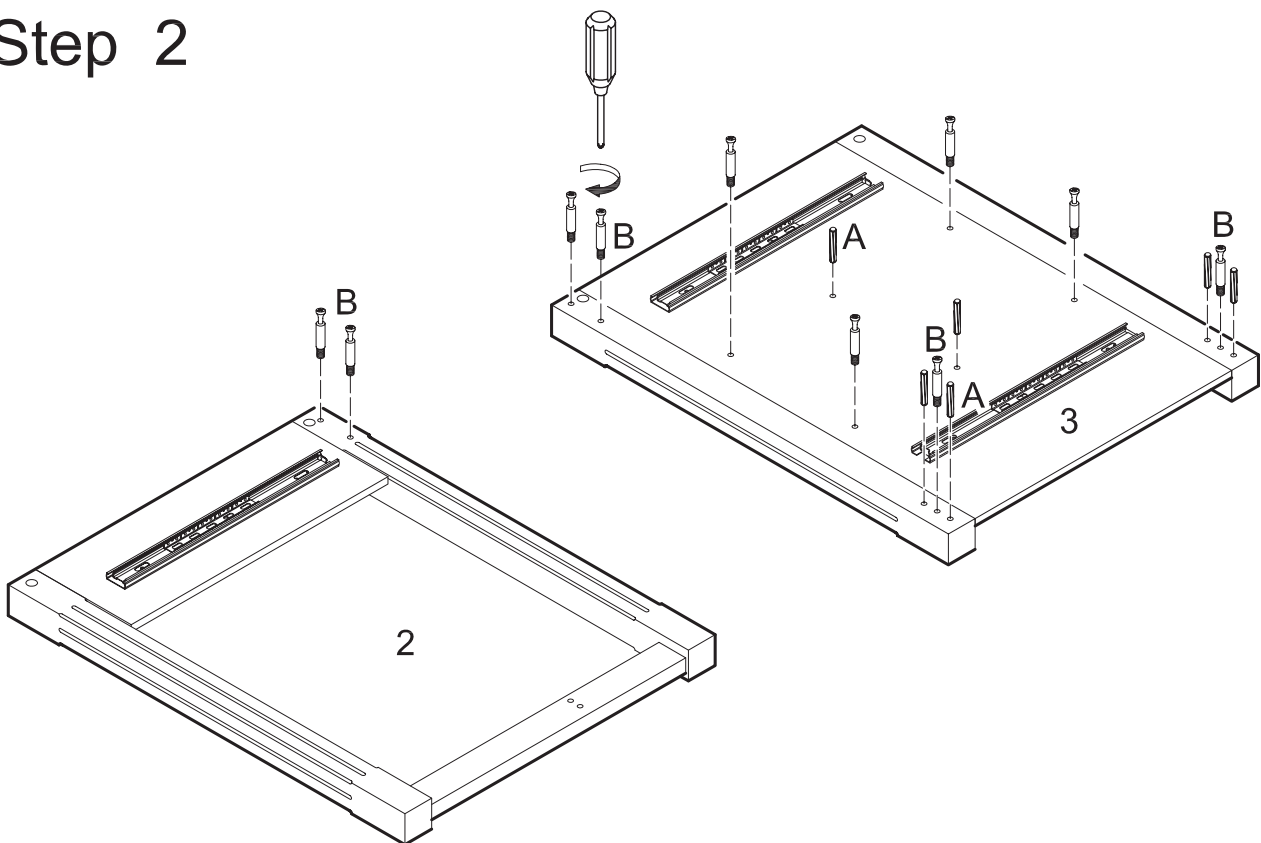
*The hardware quantities listed above are required for proper assembly.
Some extra hardware may also have been included.*

Step 1



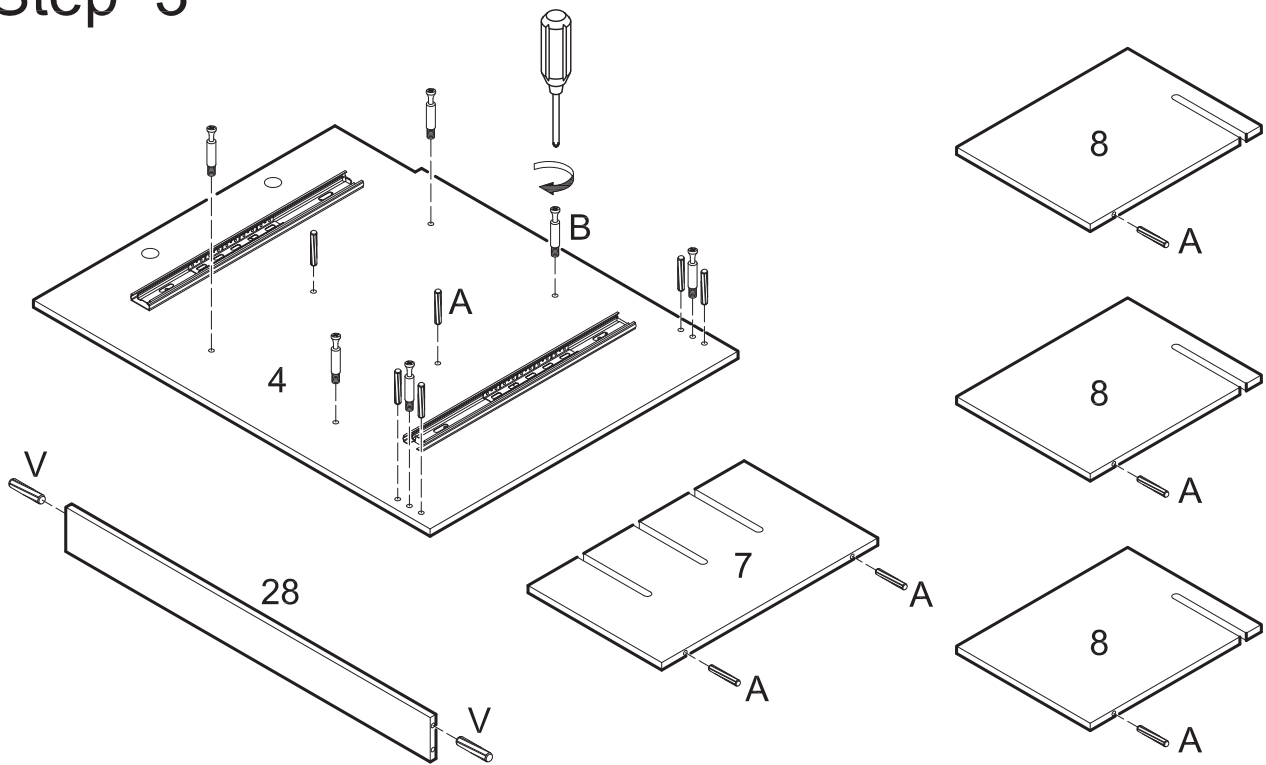
Insert dowels (A) into desk top (1). Screw cam bolts (B) into desk top (1) with a screwdriver.

Step 2



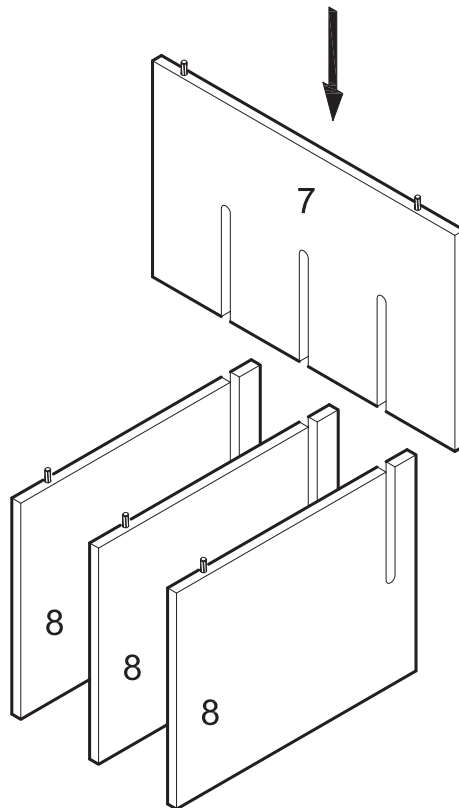
Insert dowels (A) into panel (3). Screw cam bolts (B) into panels (2,3) with a screwdriver.

Step 3



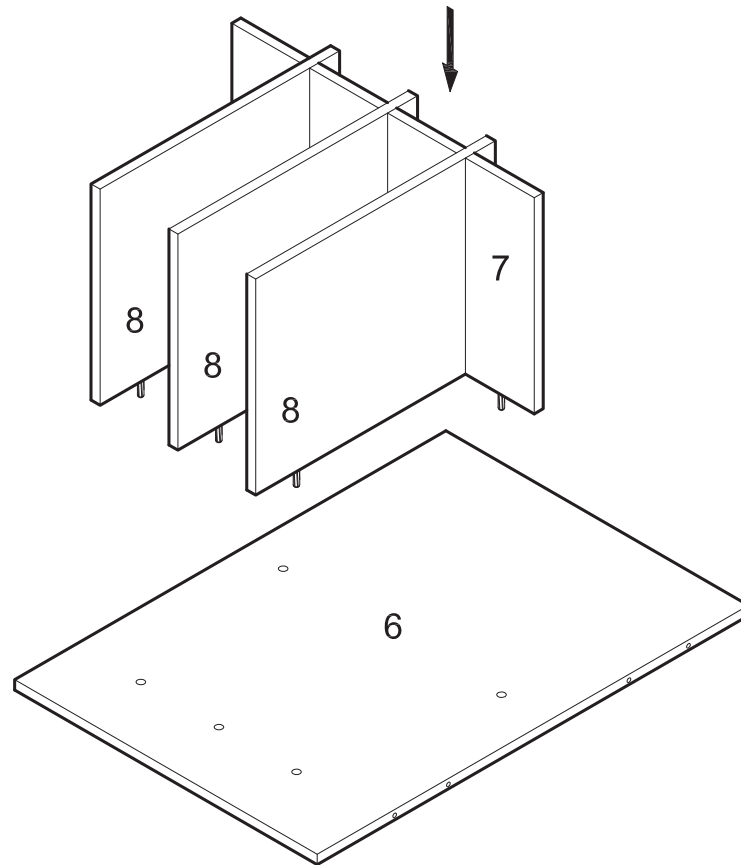
Insert dowels (A) into panel (4) and divider panels (7,8). Screw cam bolts (B) into panel (4) with a screwdriver. Insert dowels (V) into slat (28).

Step 4



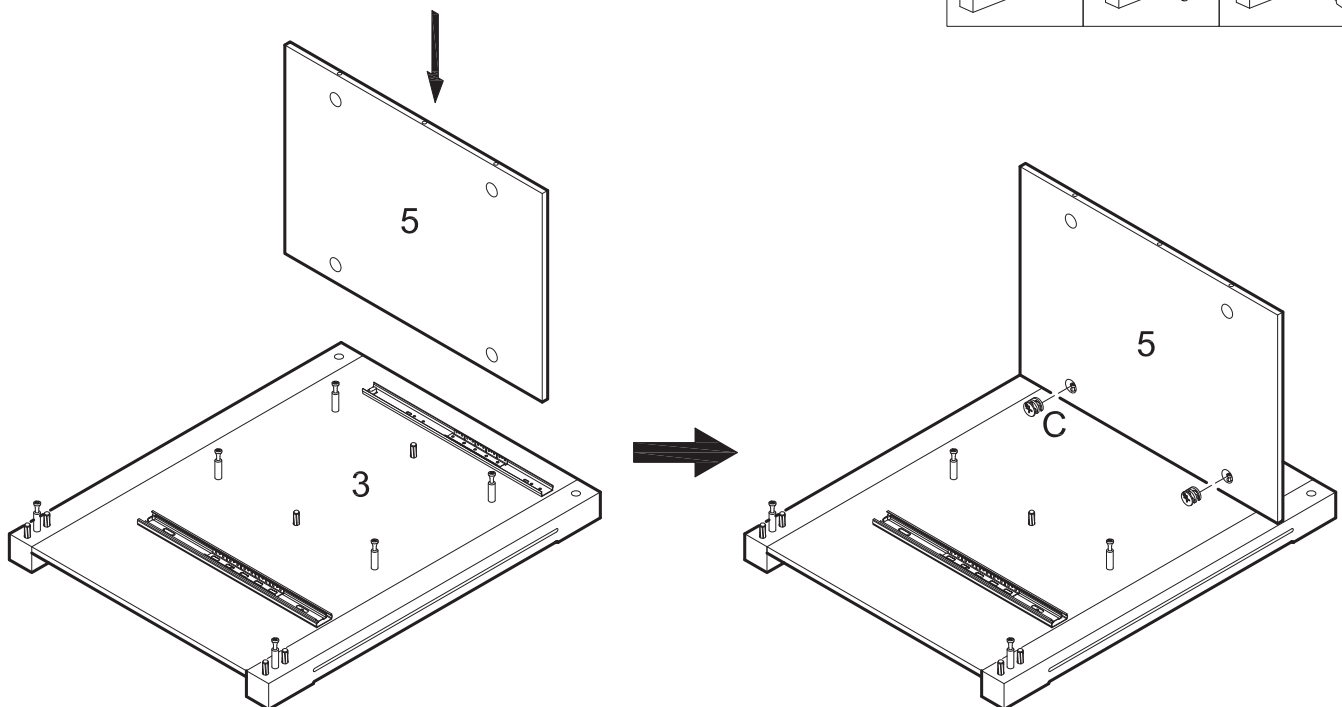
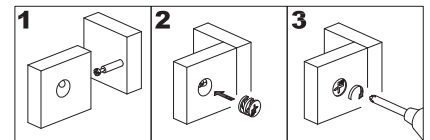
Carefully slide divider panel (7) into place along the notches of divider panels (8).

Step 5



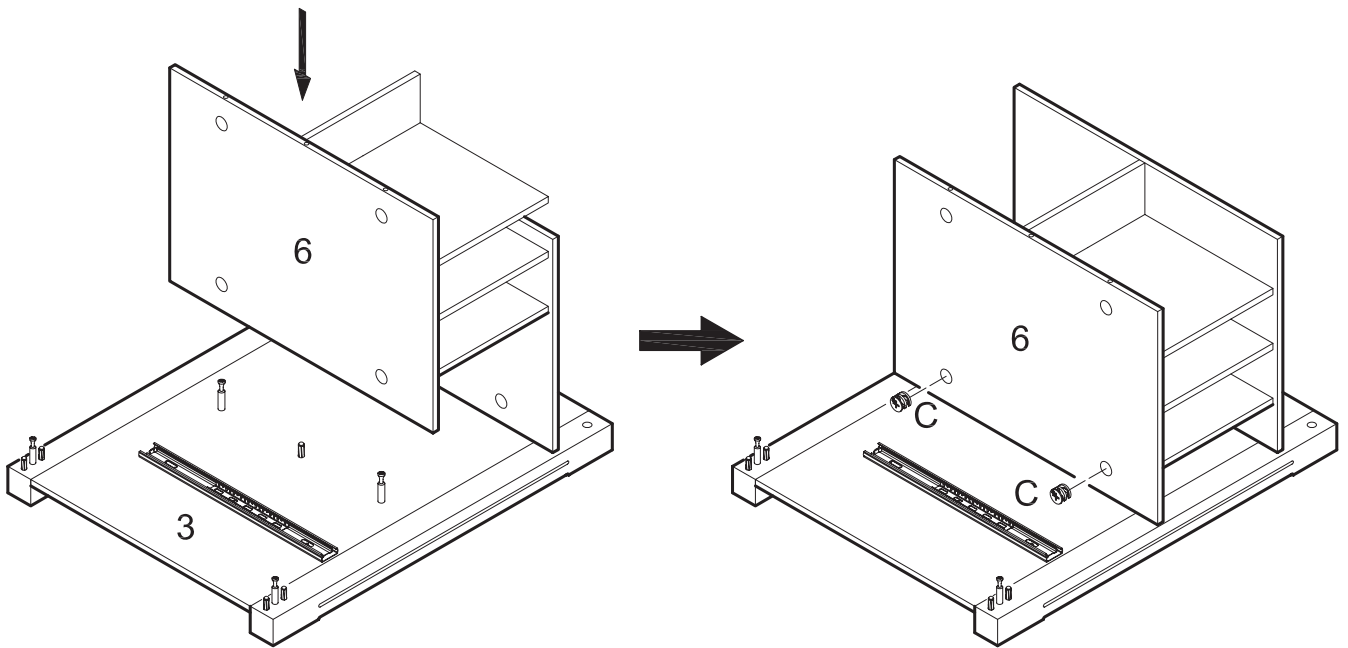
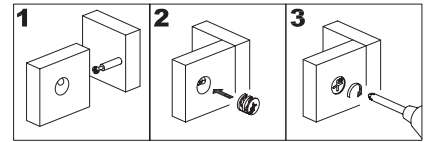
Fit divider panels (7,8) onto panel (6) using dowels as guides.

Step 6



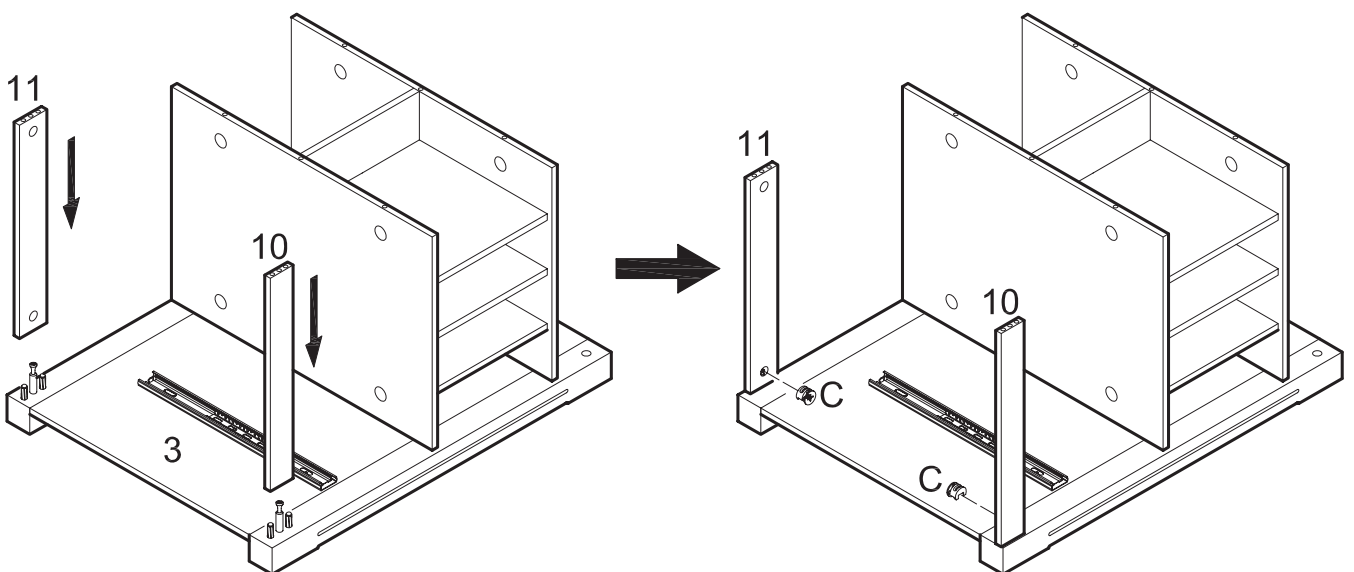
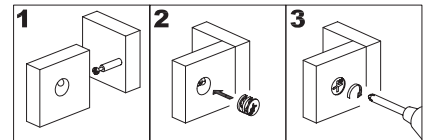
Fit panel (5) onto panel (3) using cam bolts and dowels as guides. Insert cam bolts (C) into panel (5) and tighten with a screwdriver.

Step 7



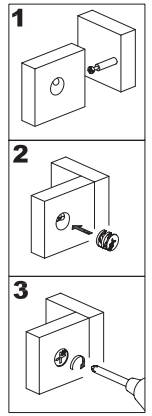
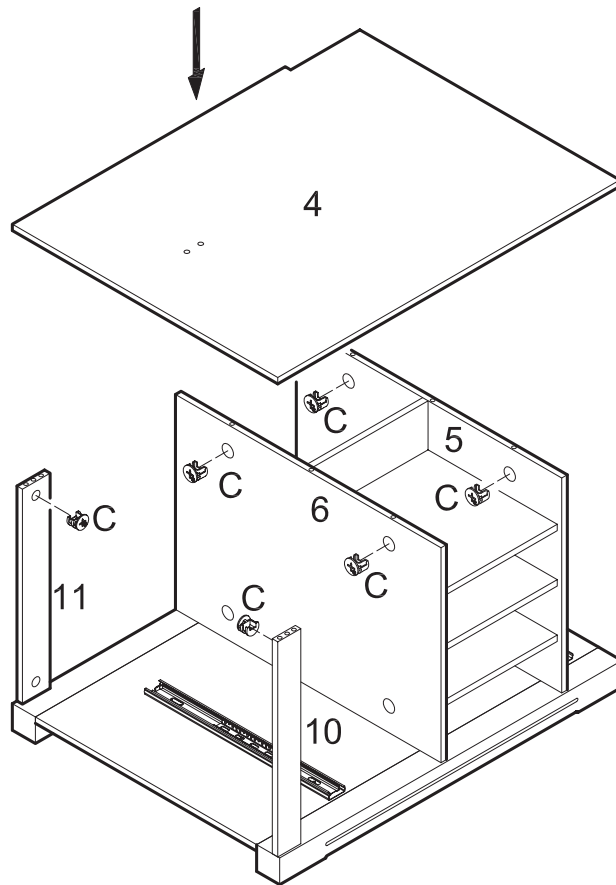
Fit panel (6) with divider panels onto panel (3) using cam bolts and dowels as guides. Insert cam locks (C) into panel (6) and tighten with a screwdriver.

Step 8



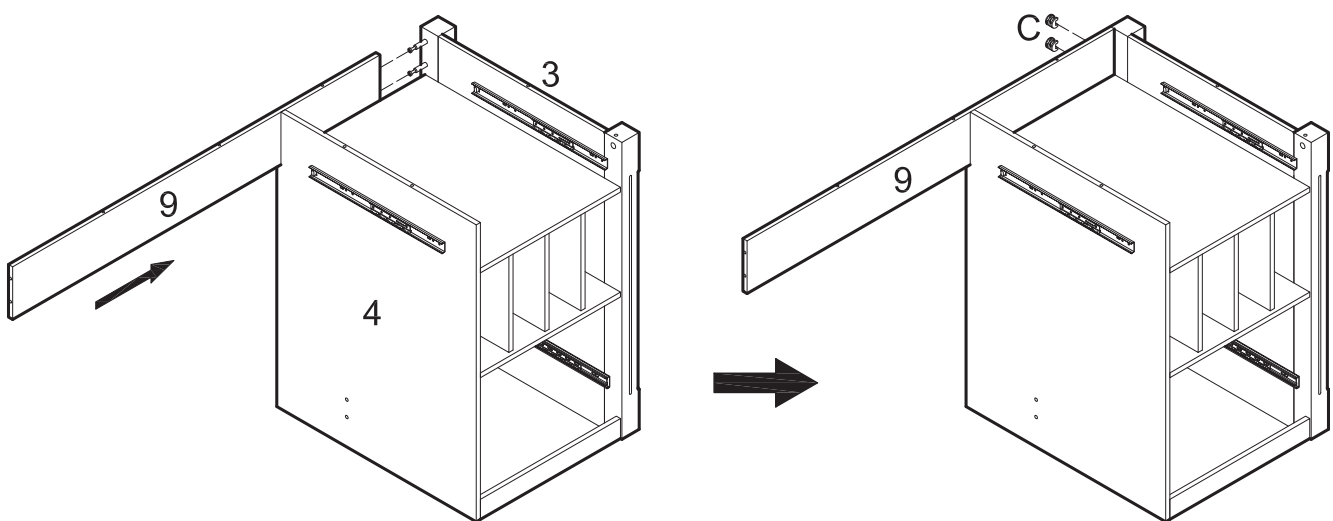
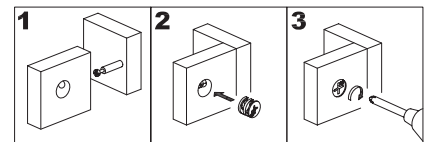
Fit slats (10,11) onto panel (3) using cam bolts and dowels as guides. Insert cam locks (C) into slats (10,11) and tighten with a screwdriver.

Step 9



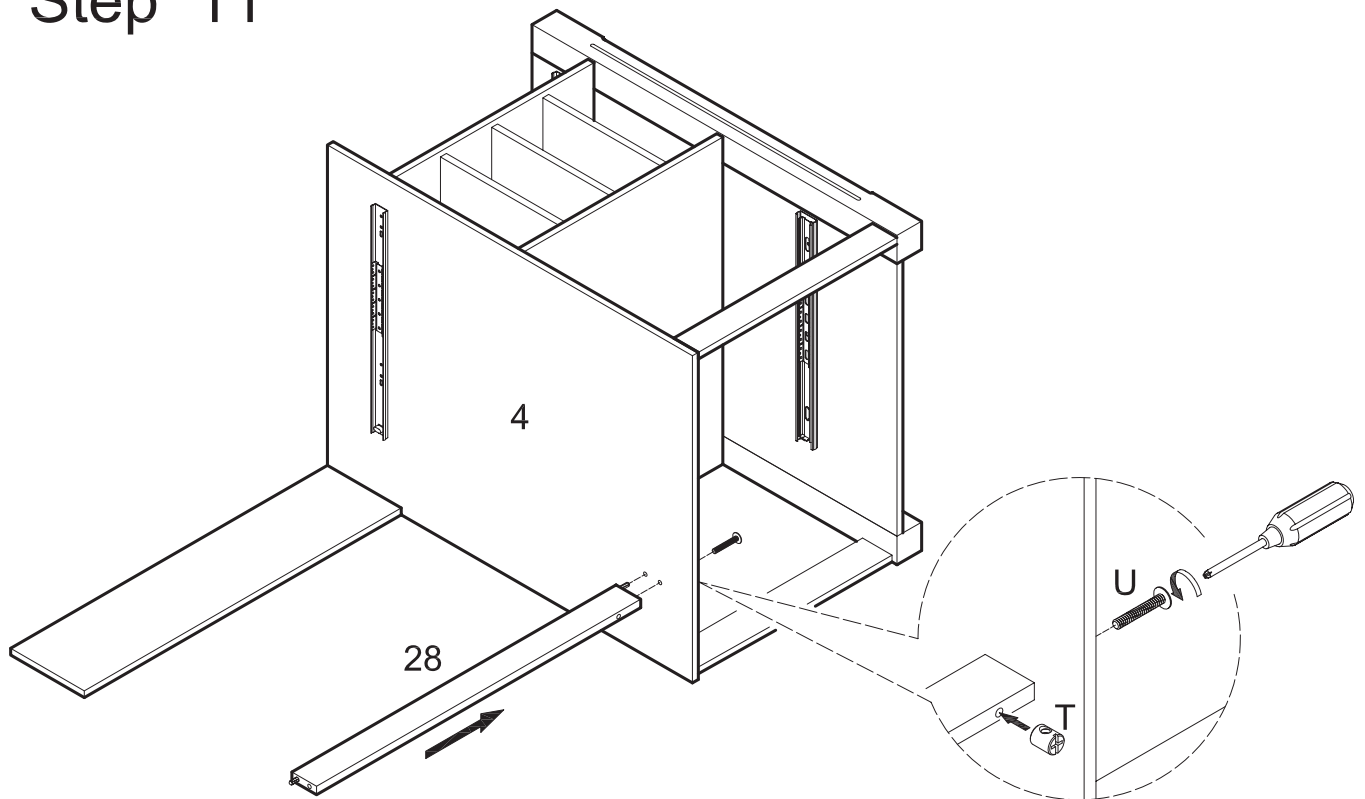
Insert cam locks (C) into panels (5,6) and slats (10,11). Fit panel (4) into place using cam bolts and dowels as guides. Tighten cam locks (C) with a screwdriver.

Step 10



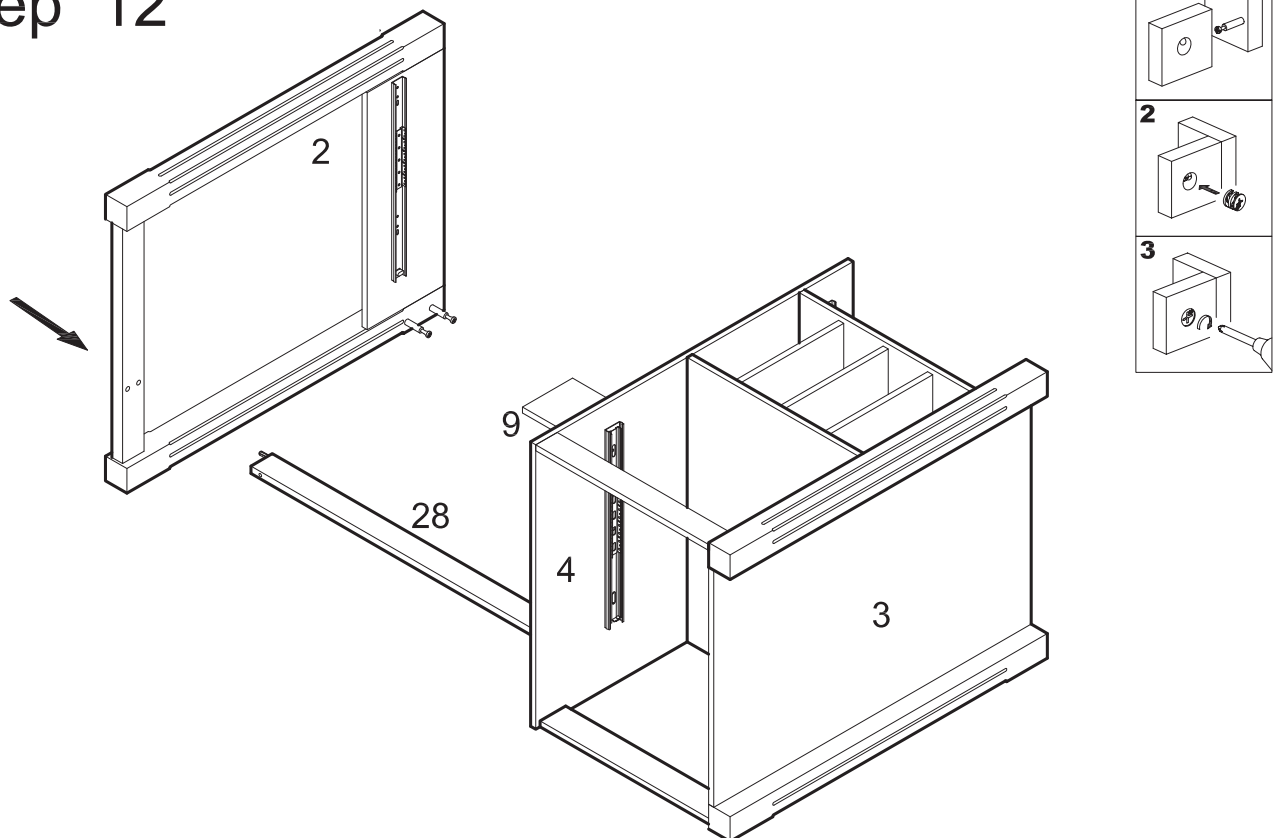
Fit slat (9) onto panel (3) using cam bolts as guides. Insert cam locks (C) into slat (9) and tighten with a screwdriver.

Step 11



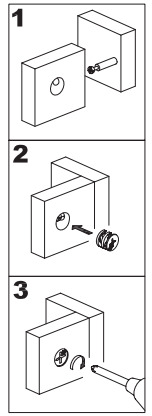
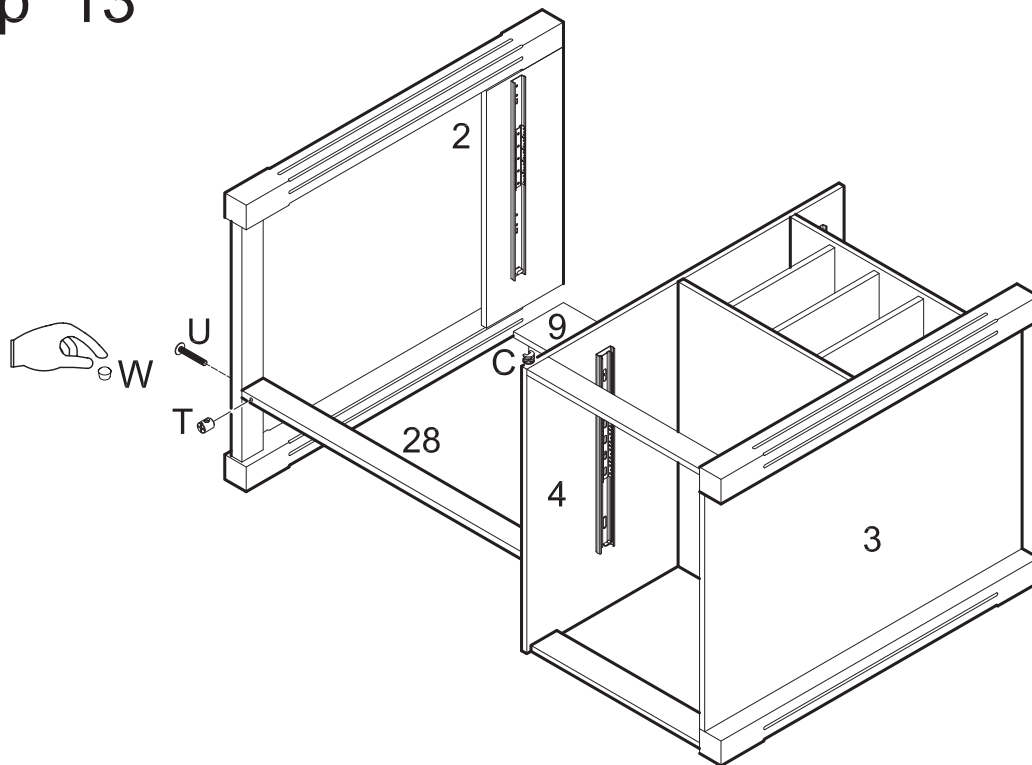
Fit slat (28) onto panel (4) using dowel as a guide. Insert barrel nut (T) into slat (28). Secure slat (28) to panel (4) using bolt (U). *Note that bolt (U) will screw directly into barrel nut (T).*

Step 12



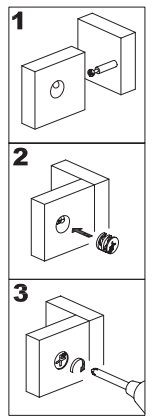
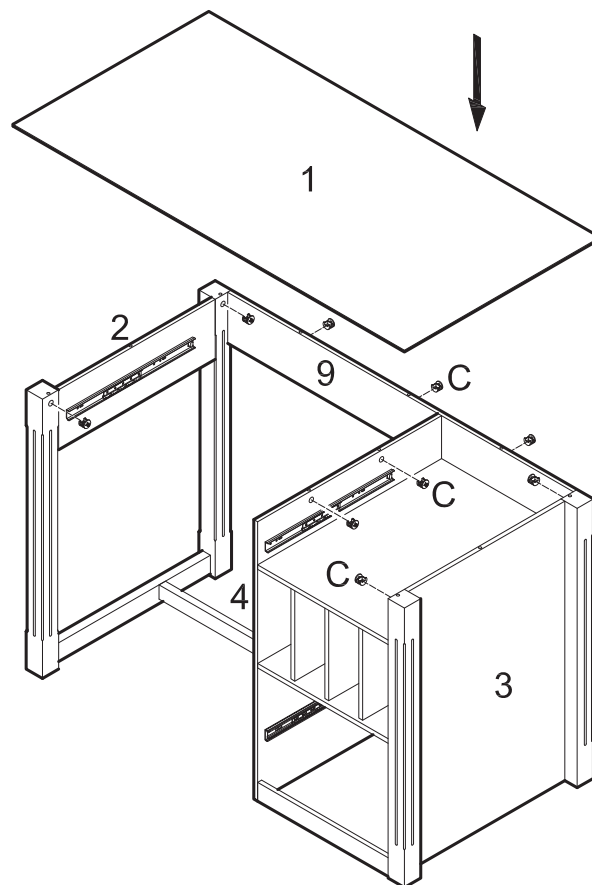
Fit panel (2) into place using cam bolts and dowels as guides.

Step 13



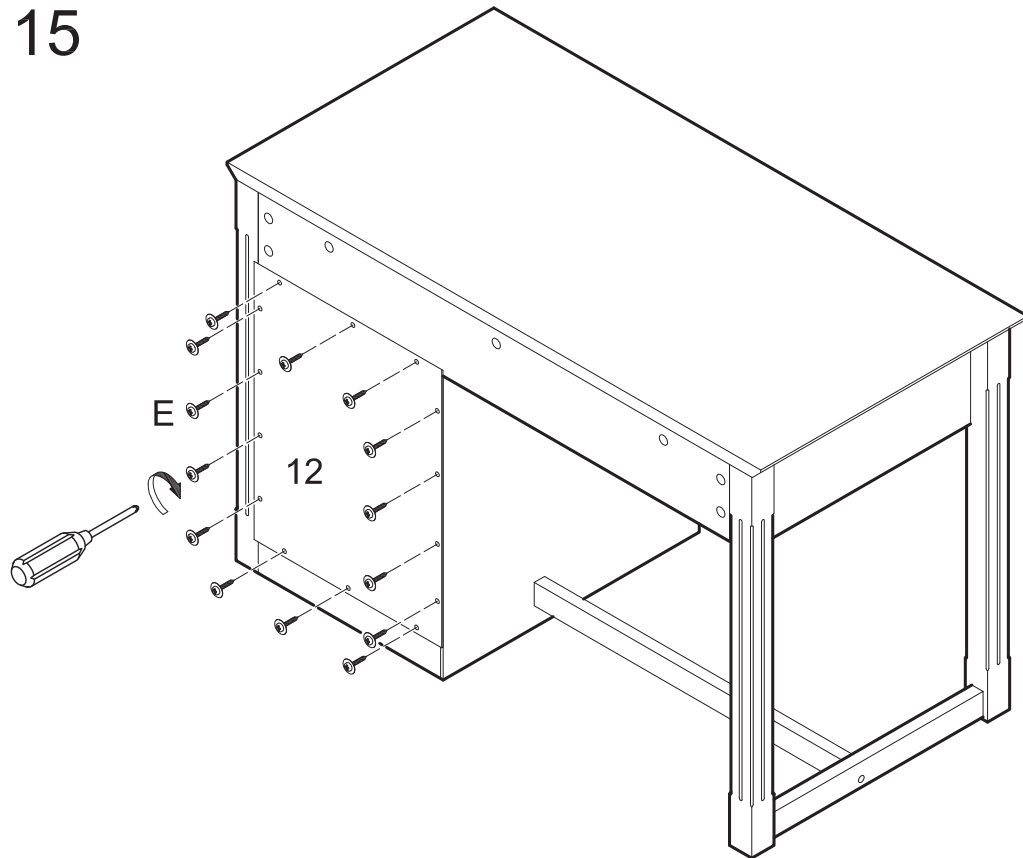
Insert cam locks (C) into slat (9) and tighten with a screwdriver. *Note that two cam locks (C) will be inserted into slat (9).* Insert barrel nut (T) into slat (28). Secure slat (28) to panel (2) using bolt (U). *Note that bolt (U) will screw directly into barrel nut (T).* Cover bolt (U) with cap (W).

Step 14



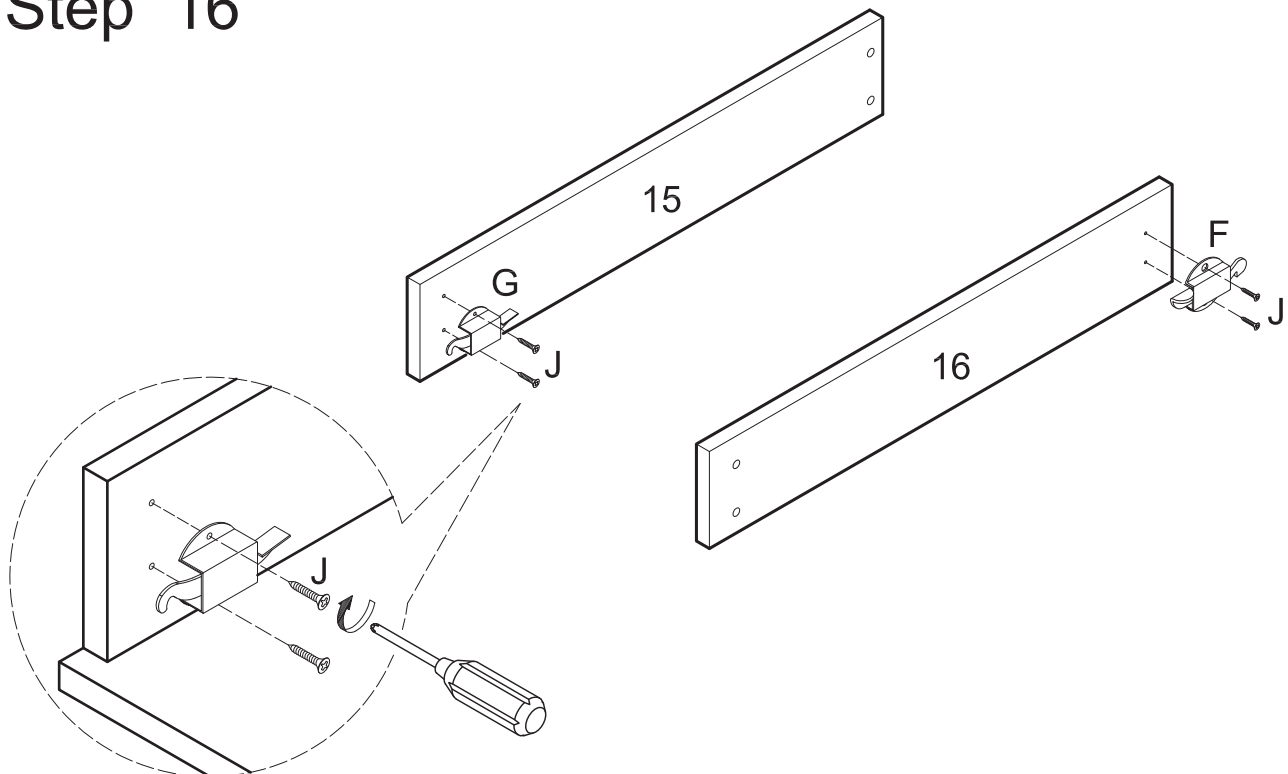
Insert cam locks (C) into panels (2,3,4) and slat (9). Fit desk top (1) into place using cam bolts and dowels as guides. Tighten cam locks (C) with a screwdriver to secure desk top (1).

Step 15



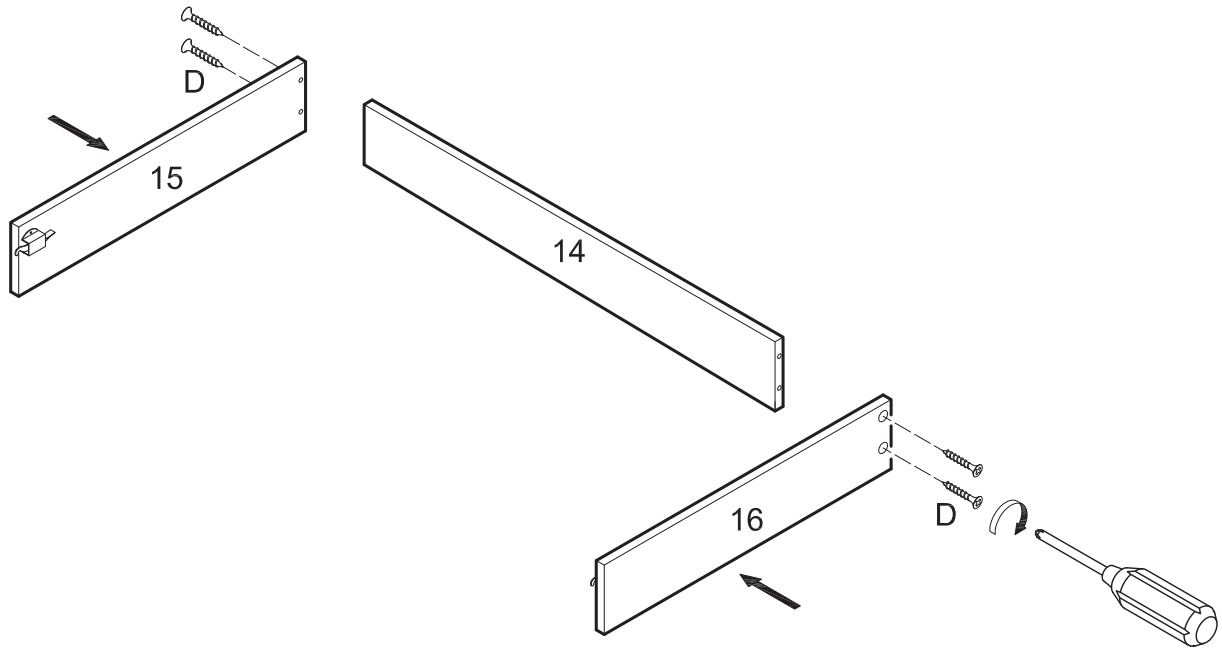
Attach back panel (12) to desk frame using screws (E). Tighten screws (E) with a screwdriver.

Step 16



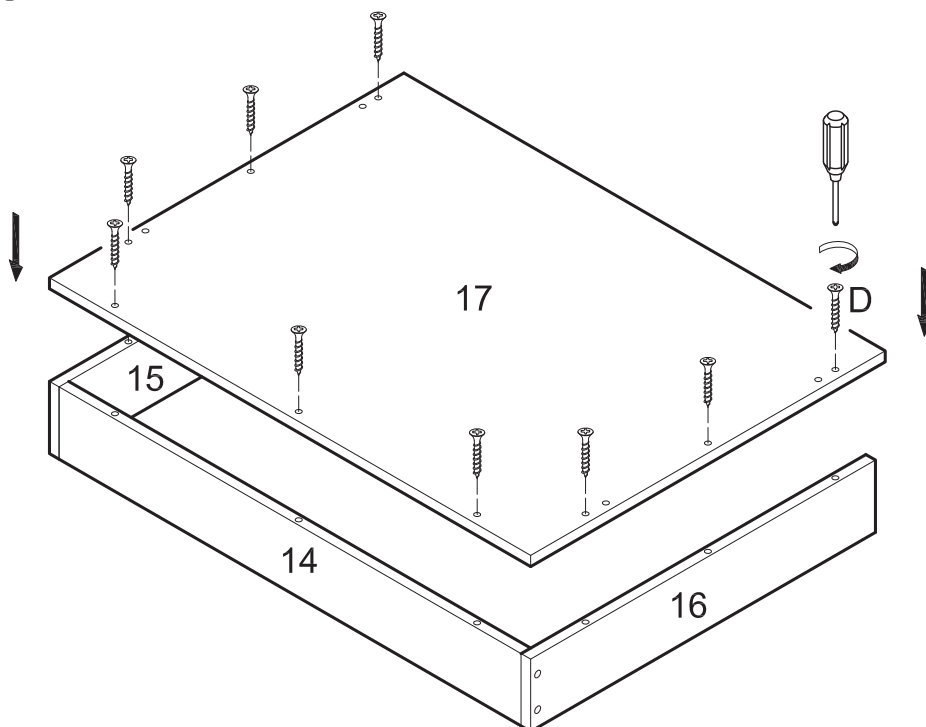
Attach left drawer lock (G) to drawer side (15) using screws (J). Attach right drawer lock (F) to drawer side (16) using screws (J). Tighten all screws (J) with a screwdriver.

Step 17



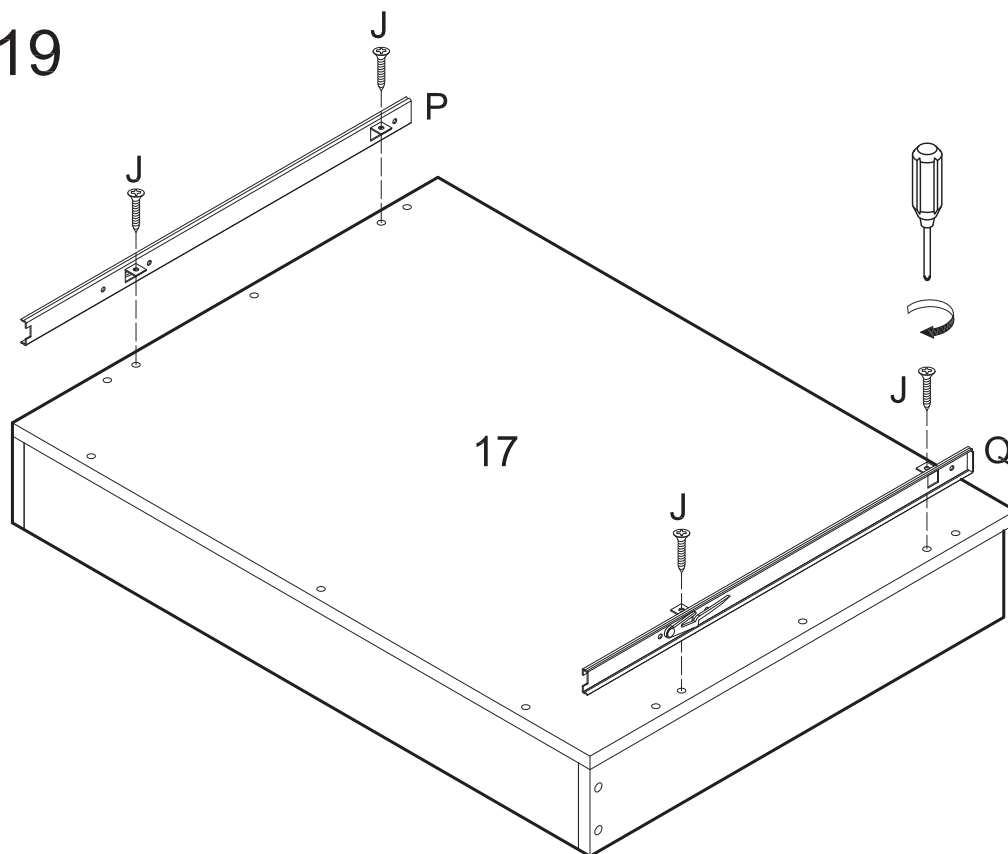
Attach drawer sides (15,16) to drawer back (14) using screws (D). *Insure that the drawer locks are on the interior of the drawer assembly.* Tighten screws (D) with a screwdriver.

Step 18



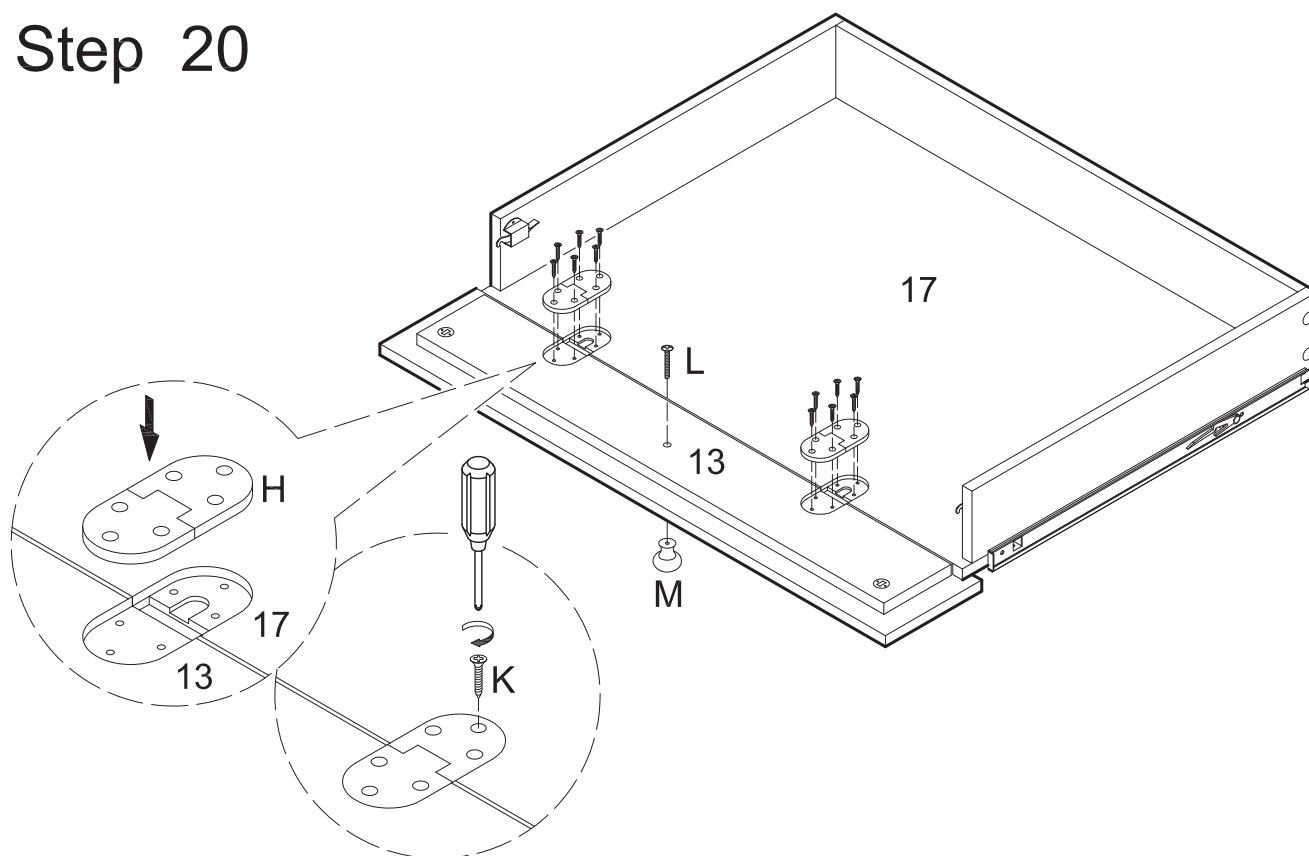
Attach drawer bottom (17) to drawer sides (15,16) and drawer back (14) using screws (D). Tighten screws (D) with a screwdriver.

Step 19



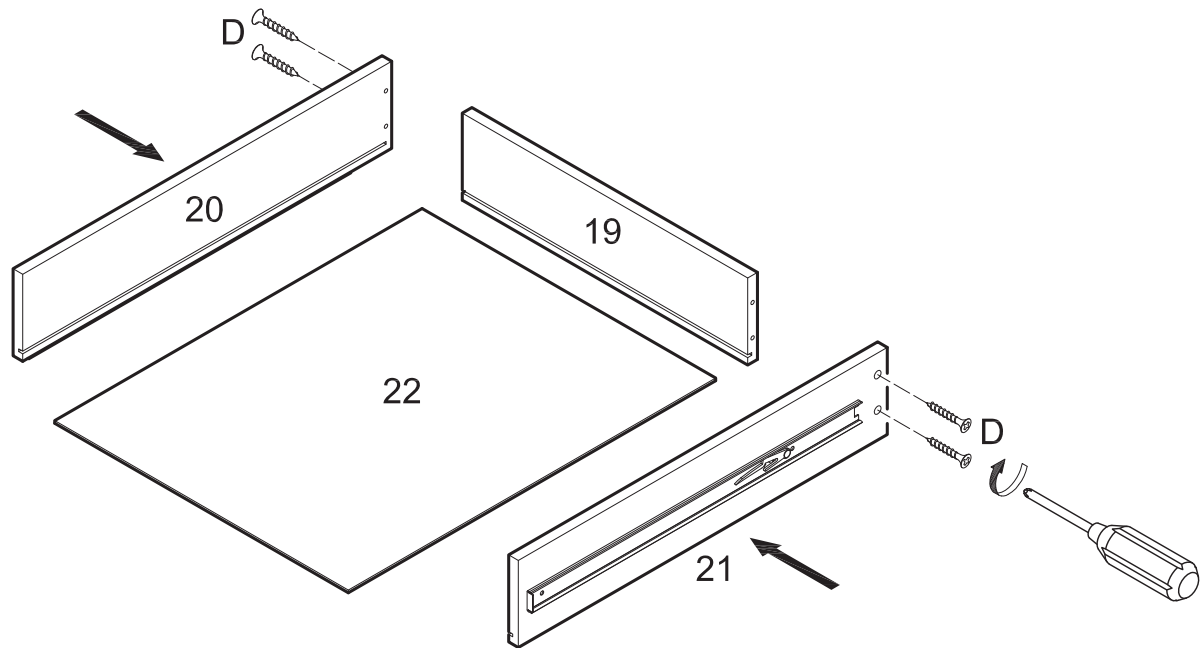
Attach left drawer track (P) and right drawer track (Q) to drawer bottom (17) as shown above using screws (J). Tighten screws (J) with a screwdriver.

Step 20



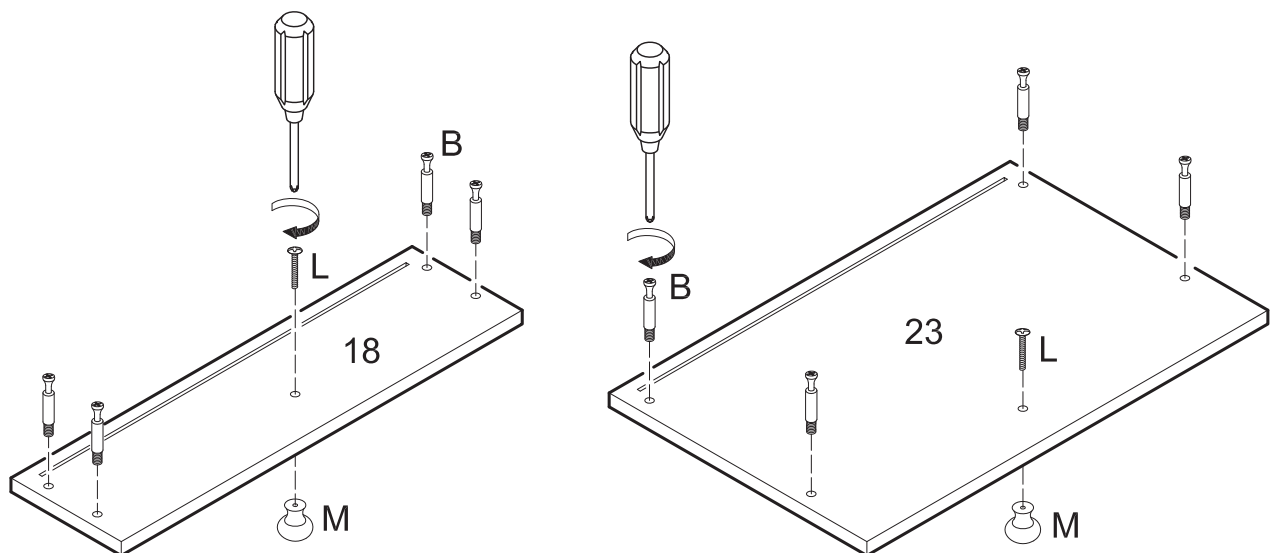
Align drawer front (13) with drawer bottom (17). Place hinges (H) into the slots of drawer pieces (13,17) and attach them to the drawer pieces using screws (K). Attach knob (M) to drawer front (13) using bolt (L). Tighten screws (K) and bolt (L) with a screwdriver.

Step 21



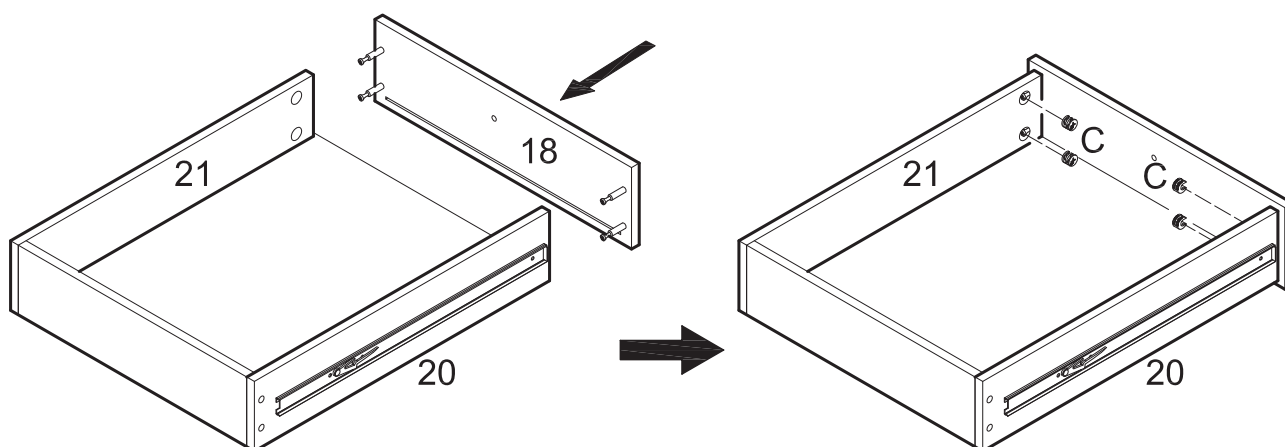
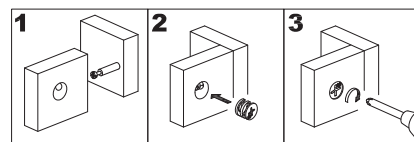
Attach drawer sides (20,21) to drawer back (19) using screws (D). Carefully slide drawer bottom (22) into place along the grooves of the drawer assembly.

Step 22



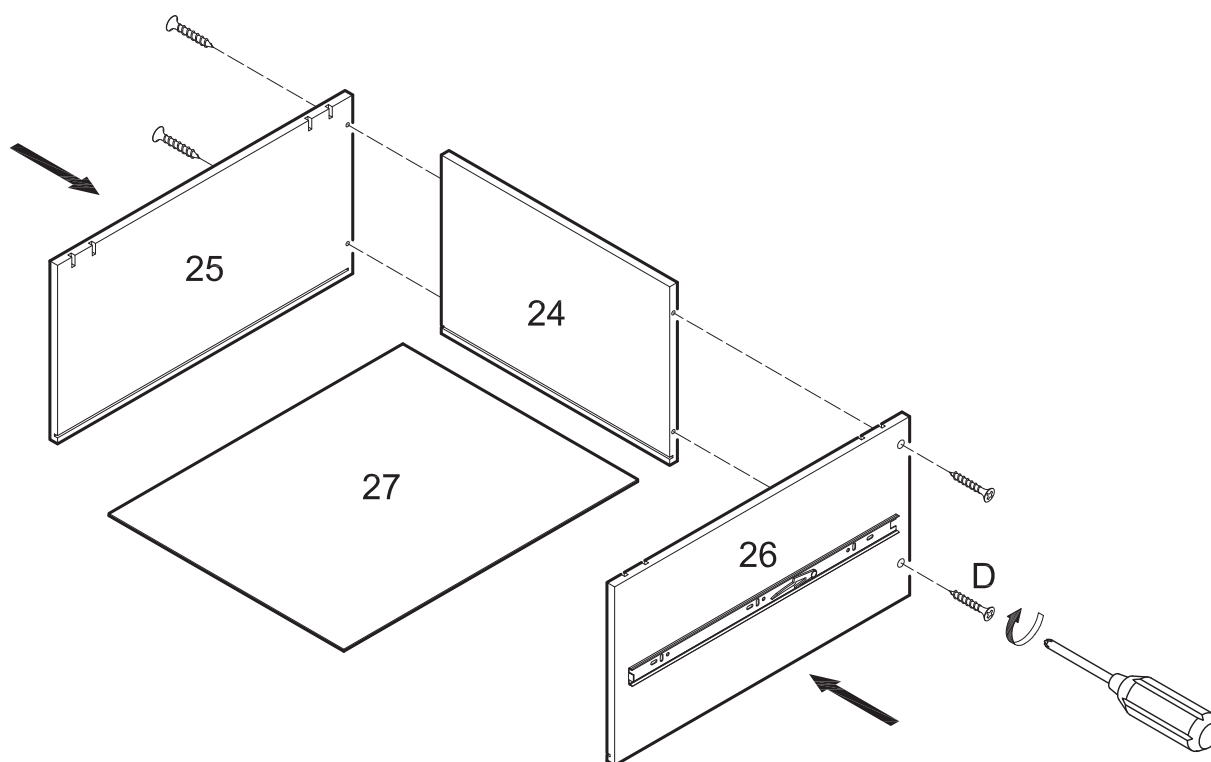
Screw cam bolts (B) into drawer fronts (18,23) with a screwdriver. Attach knobs (M) to drawer fronts (18,23) using bolts (L).

Step 23



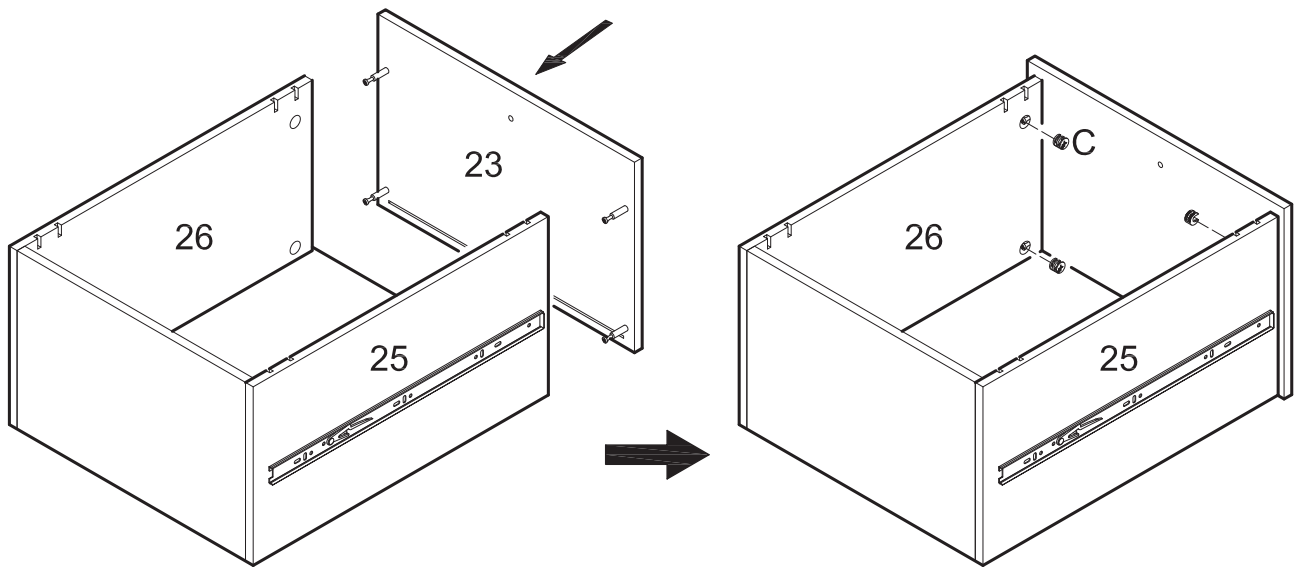
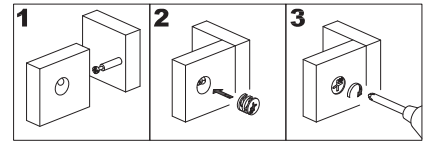
Fit drawer front (18) onto drawer sides (20,21) using cam bolts as guides. Insert cam locks (C) into drawer sides (20,21) and tighten with a screwdriver.

Step 24



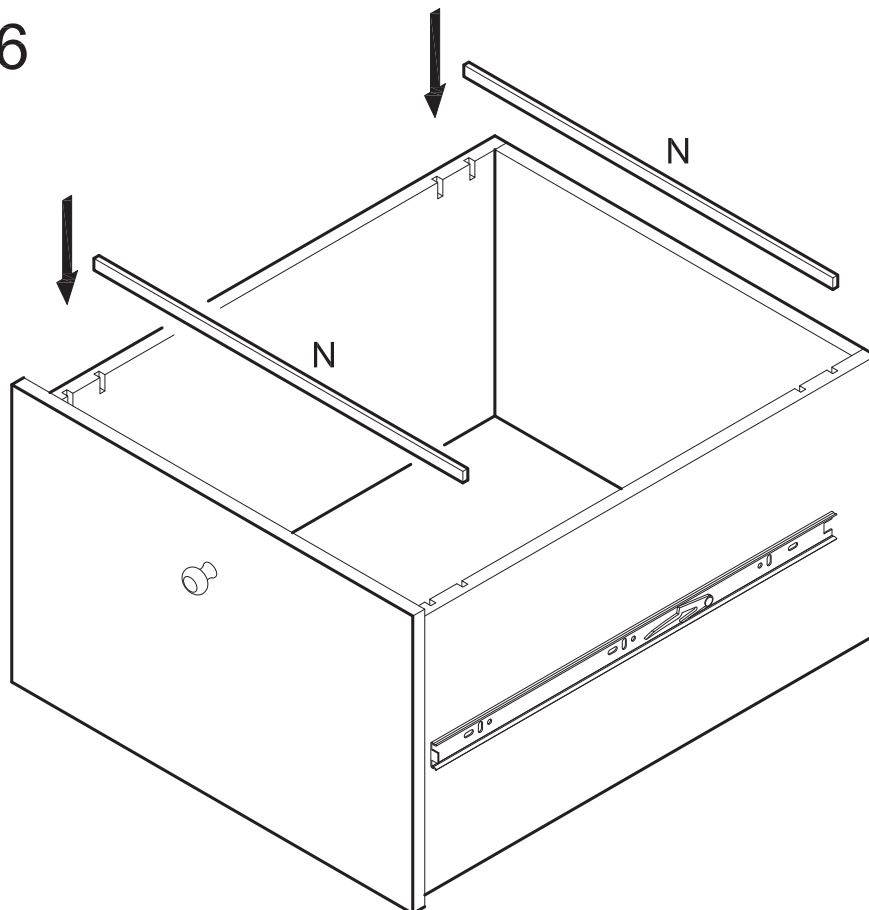
Attach drawer sides (25,26) to drawer back (24) using screws (D). Carefully slide drawer bottom (27) into place along the grooves of the drawer assembly.

Step 25



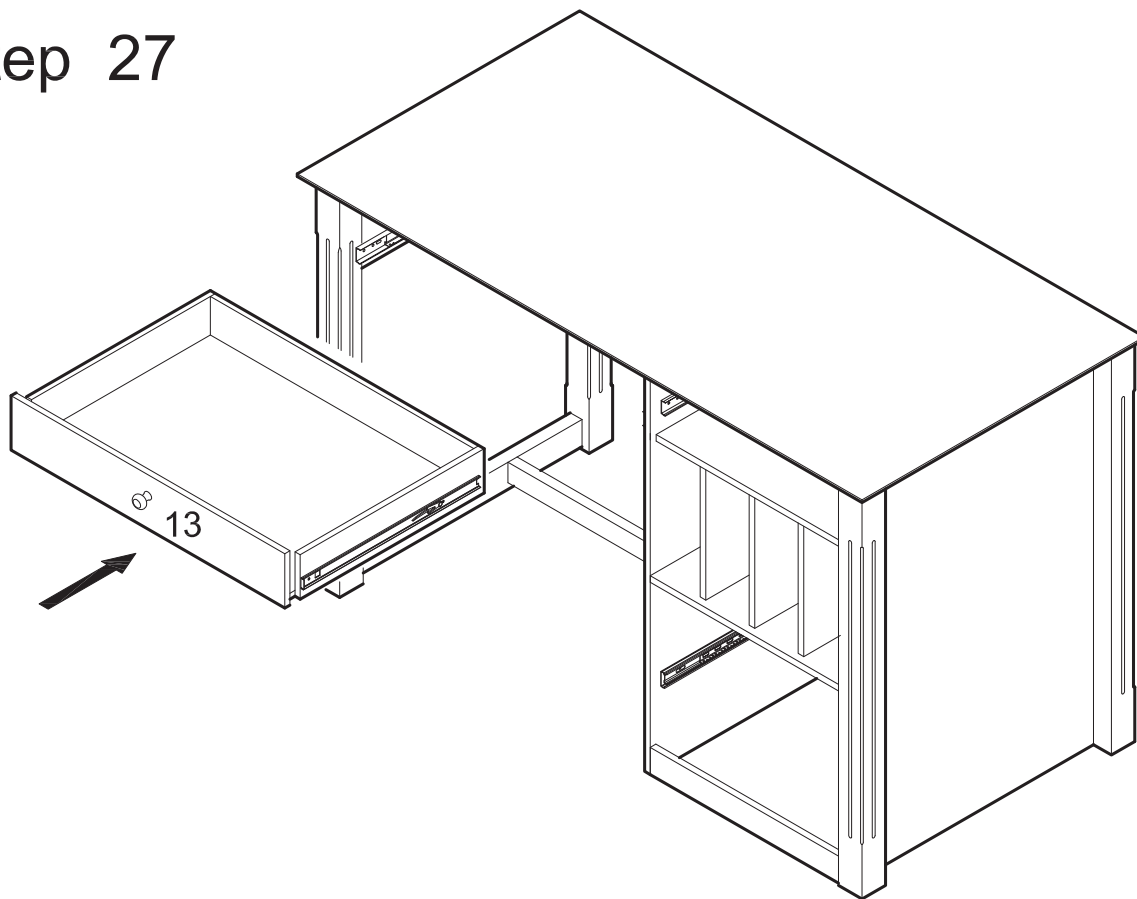
Fit drawer front (23) onto drawer sides (25,26) using cam bolts as guides. Insert cam locks (C) into drawer sides (25,26) and tighten with a screwdriver. *Note that two cam locks will be inserted into each drawer side.*

Step 26



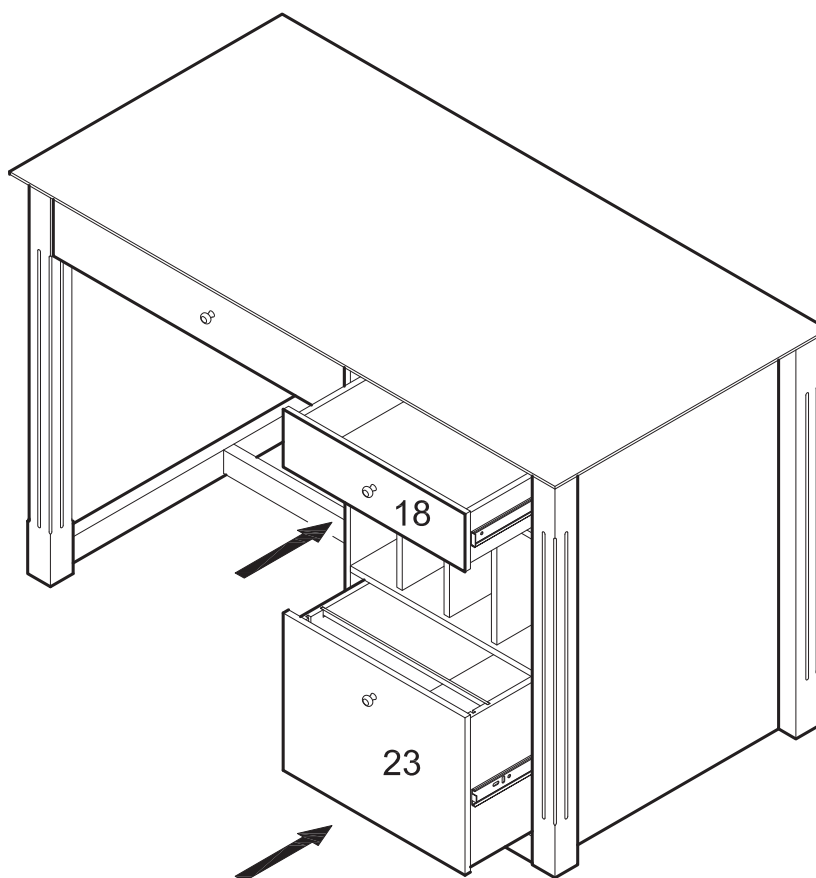
Place crossbars (N) into the larger drawer at desired locations.

Step 27



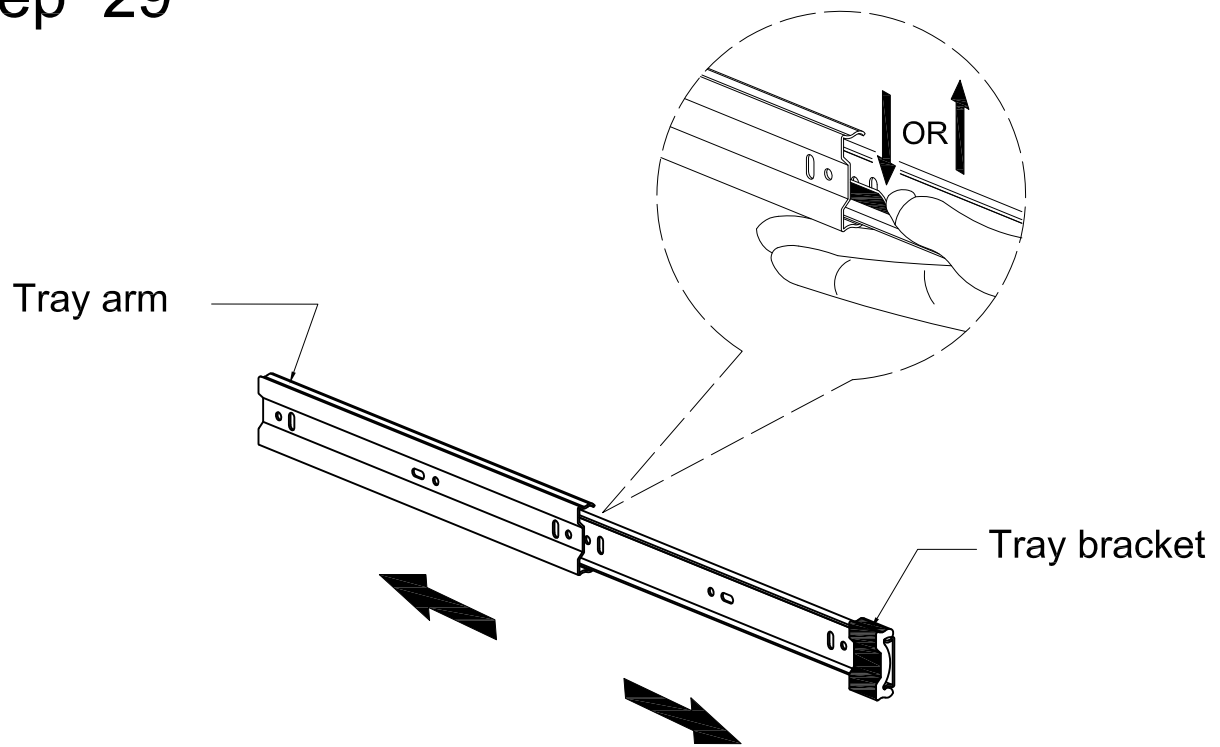
Carefully slide the drawer into the desk assembly. Note that you will need to align the metal tracks of the drawer with those on the desk to slide the drawer into place.

Step 28



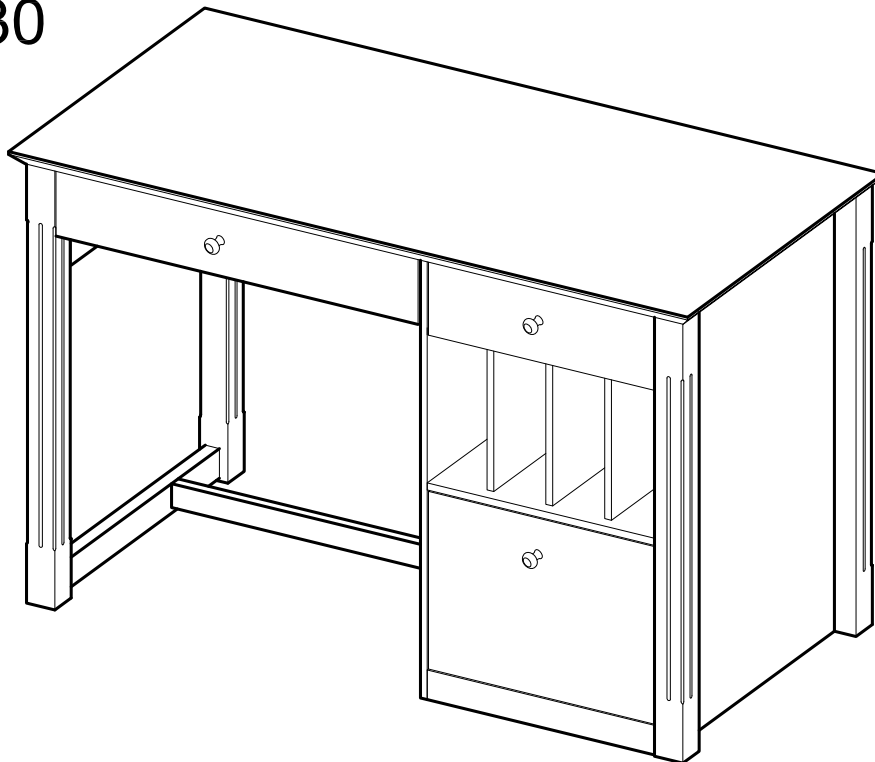
Carefully slide the remaining drawers into place. Note that you will need to align the metal tracks of the drawers with those on the desk to slide the drawers into place.

Step 29



For disassemble drawer tray ,by sliding the tray arm and the tray bracket out.Press and tick the small lever on the tray bracket and carefully pull the two pieces apart.

Step 30



Final Assembly