
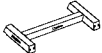


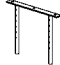
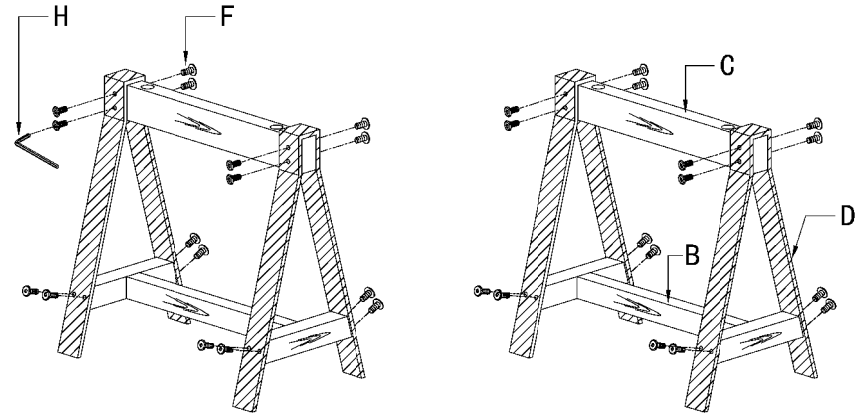


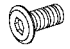
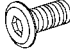


PART LIST:

NO.	DESCRIPTION	PART PHOTO	QTY	NO.	DESCRIPTION	PART PHOTO	QTY
A	TOP BOARD		1PC				
B	BASE FRAME		2PCS				
C	WOODEN CONNECTING ROD		2PCS				
D	LEGS		2PCS				
E	ERECTOR		2PCS				

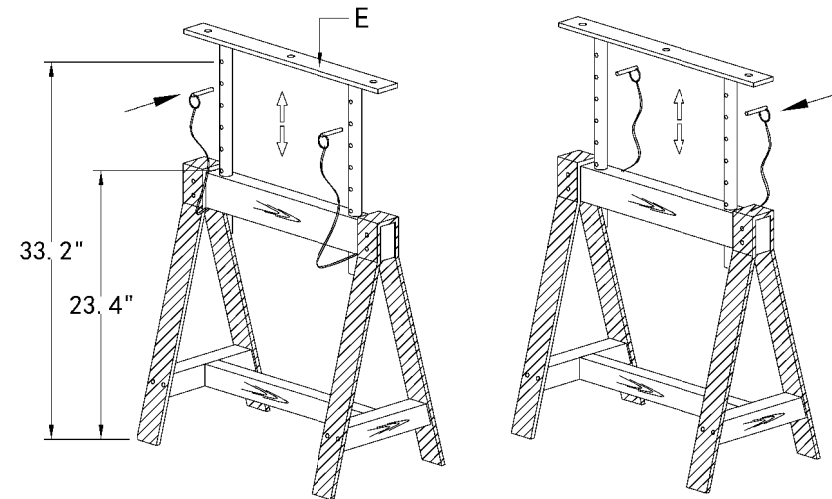
STEP 1



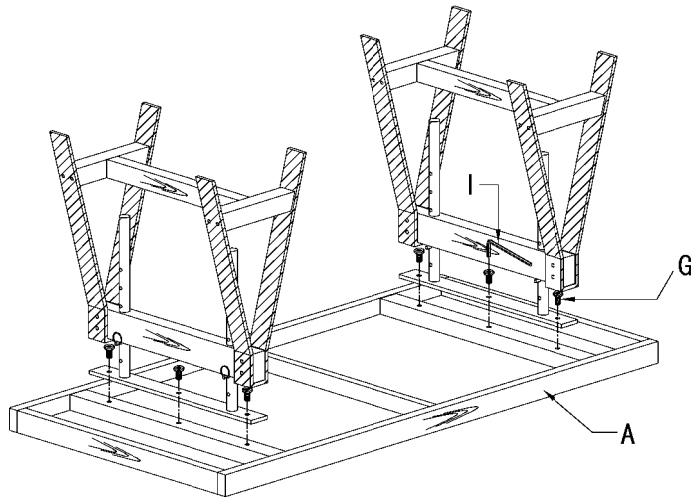
HARDWARE LIST:

NO.	DESCRIPTION	PART PHOTO	QTY	NO.	DESCRIPTION	PART PHOTO	QTY
F	SCREW (M6*20)		32PCS				
G	SCREW (M8*20)		6PCS				
H	ALLEN KEY (φ4)		1PC				
I	ALLEN KEY (φ5)		1PC				

STEP 2



**STEP 3**



**FINISH**

