

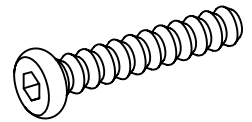
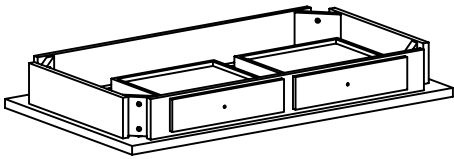
ASSEMBLY INSTRUCTION

E577A(3A) WRITING DESK WITH HELIX LEGS

A WOOD TOP WITH DRAWER

B LEGS

C BOLT 5/16" X 2"



1 PC

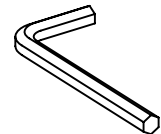
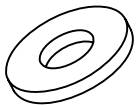
4 PCS

8 PCS

D FLAT WASHER

E LOCK WASHER

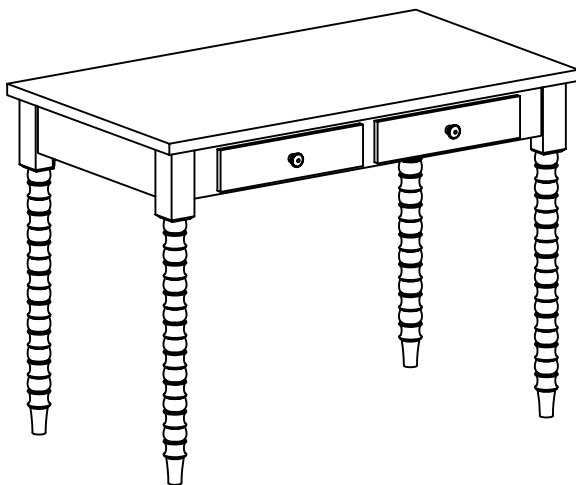
F ALLEN WRENCH



8 PCS

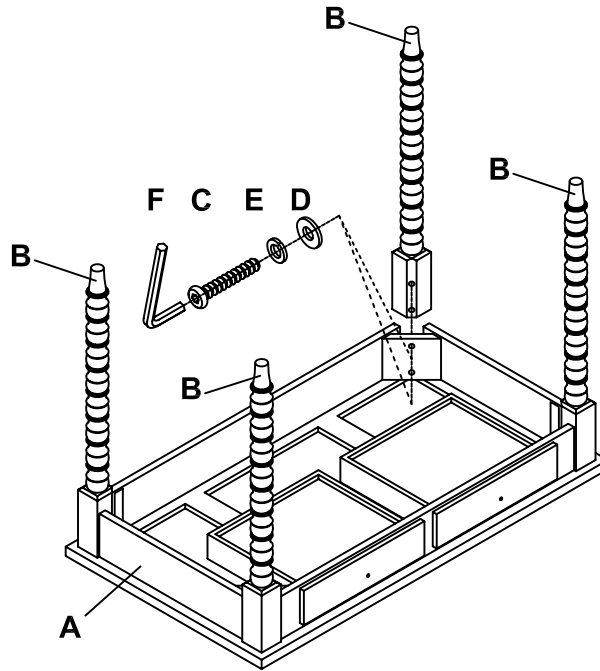
8 PCS

1 PC

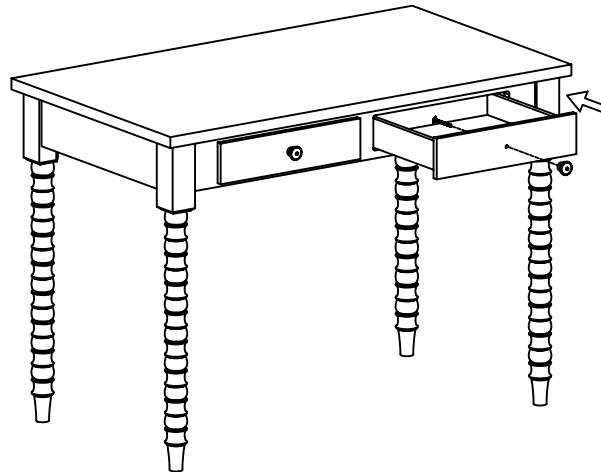


This page lists all the contents included in the box. Please take the time to identify the hardware as well as the individual components to this product. As you unpack and prepare for assembly, place the contents on a carpeted or padded area to protect them from damage.

-
- 1** Attach legs (B) to wood top (A) by using bolt (C), lock washer (E), flat washer (D) and allen wrench (F) as shown.



-
- 2** Take out the handle of drawer from inside of the drawer and reassemble as shown below.



Cleaning & Care

Treat surface with care. Surface is resistant to scratches but is not scratch resistant. Clean surface with a dry or damp soft cloth. Do not use abrasive cleaners. Hardware may loosen over time. Periodically check that all connections are tight.