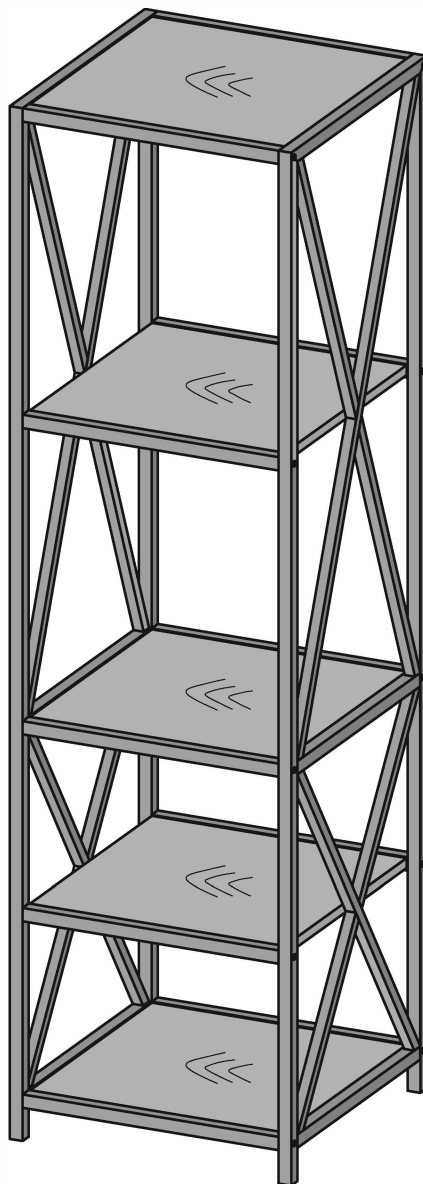


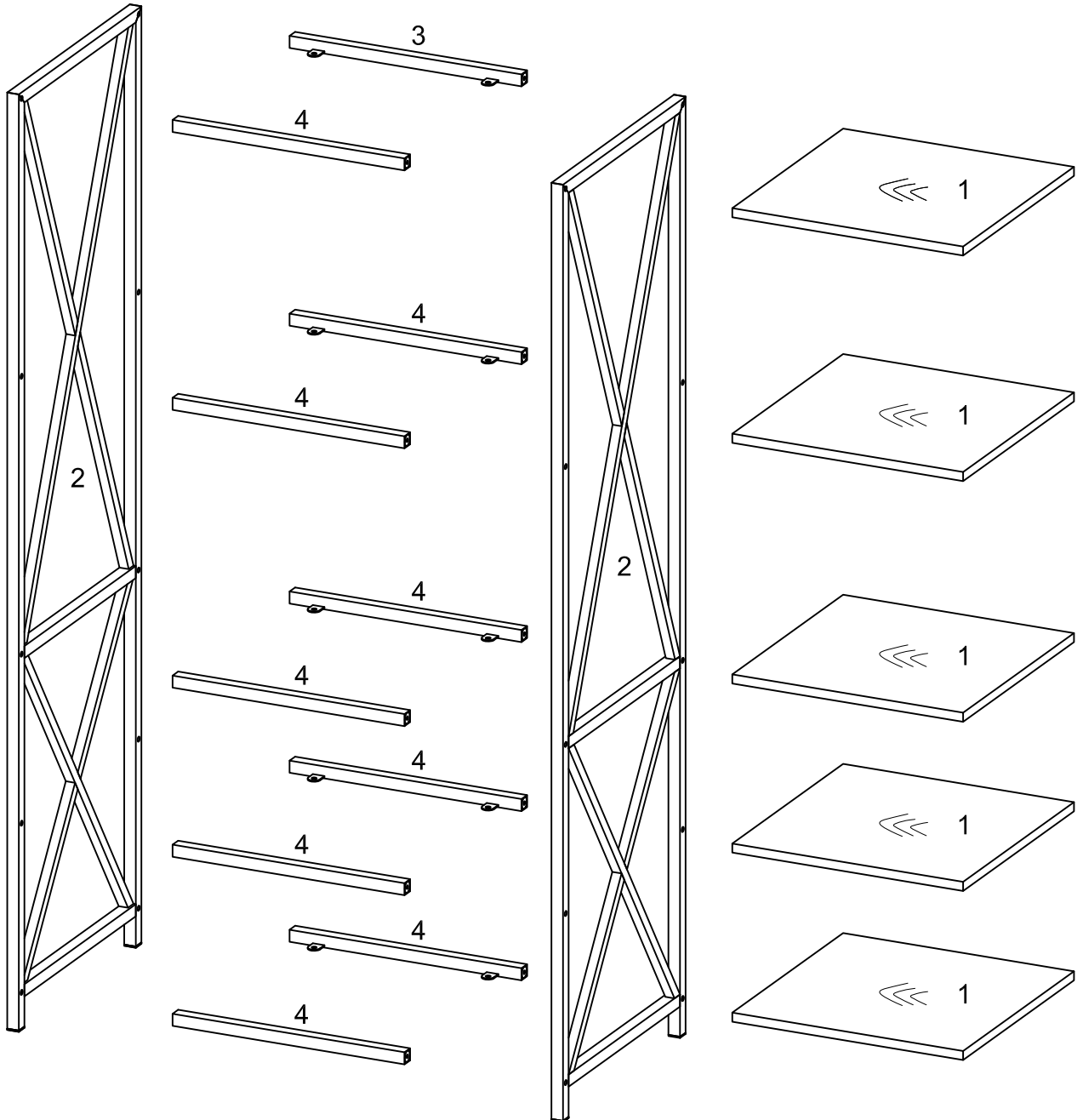
Item # : BST18XMW
Assembly Instructions




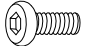
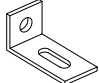
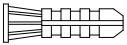
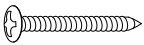

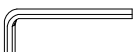
Please visit our website for the most current instructions, assembly tips, report damage, or request parts. www.walkeredison.com

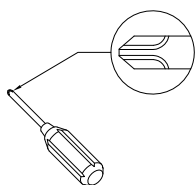
Revised 03/2017

Parts List



Hardware List

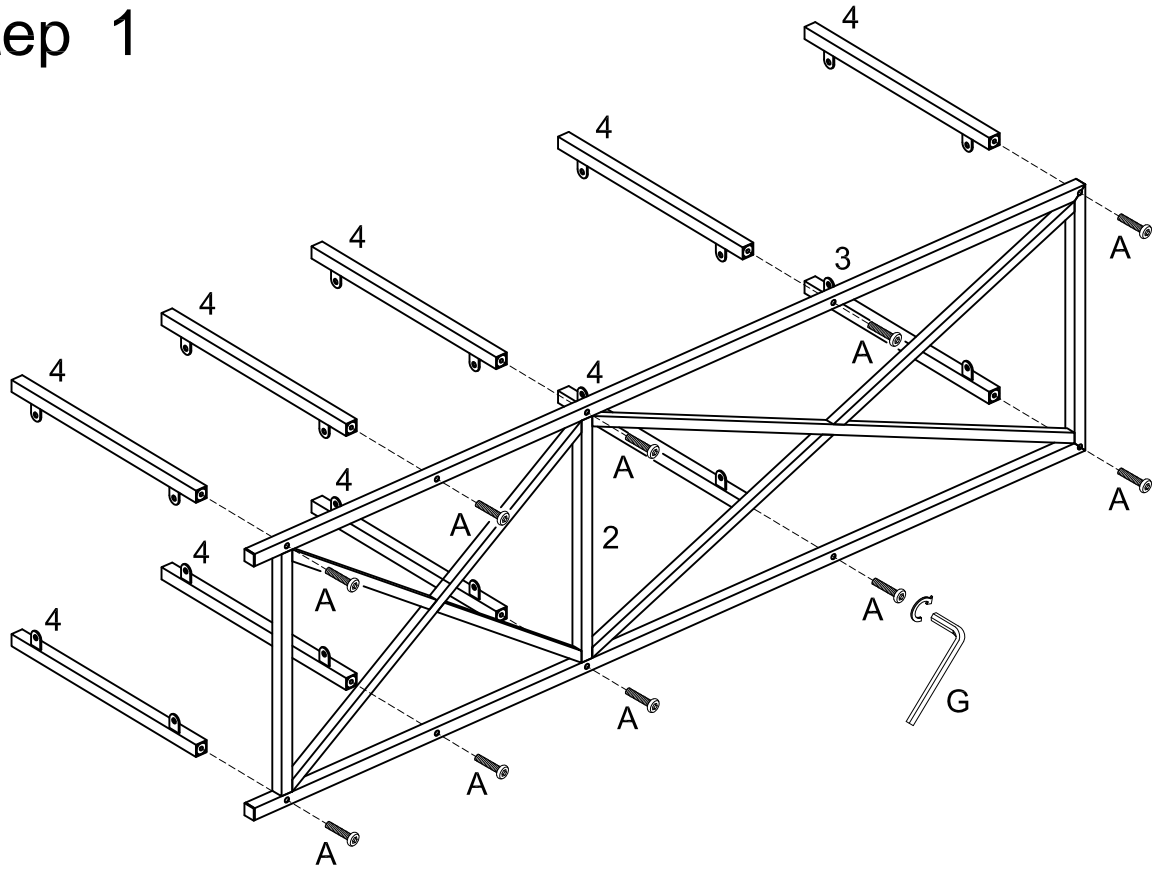
| | | | | |
|---|--|---------------|-----------------|--------|
| A |  | Ø1/4"*30mm | Bolt | 20 pcs |
| B |  | Ø1/4"*12mm | Bolt | 21 pcs |
| C |  | 40*25*20mm | L shape bracket | 1 pc |
| D |  | Ø6*30mm | Wall anchor | 1 pc |
| E |  | Ø4*30mm | Screw | 1 pc |
| F |  | Ø16*6.5*1.0mm | Washer | 1 pc |
| G |  | M4*55mm | Wrench | 1 pc |



Philips head screwdriver required for assembly
(not included)

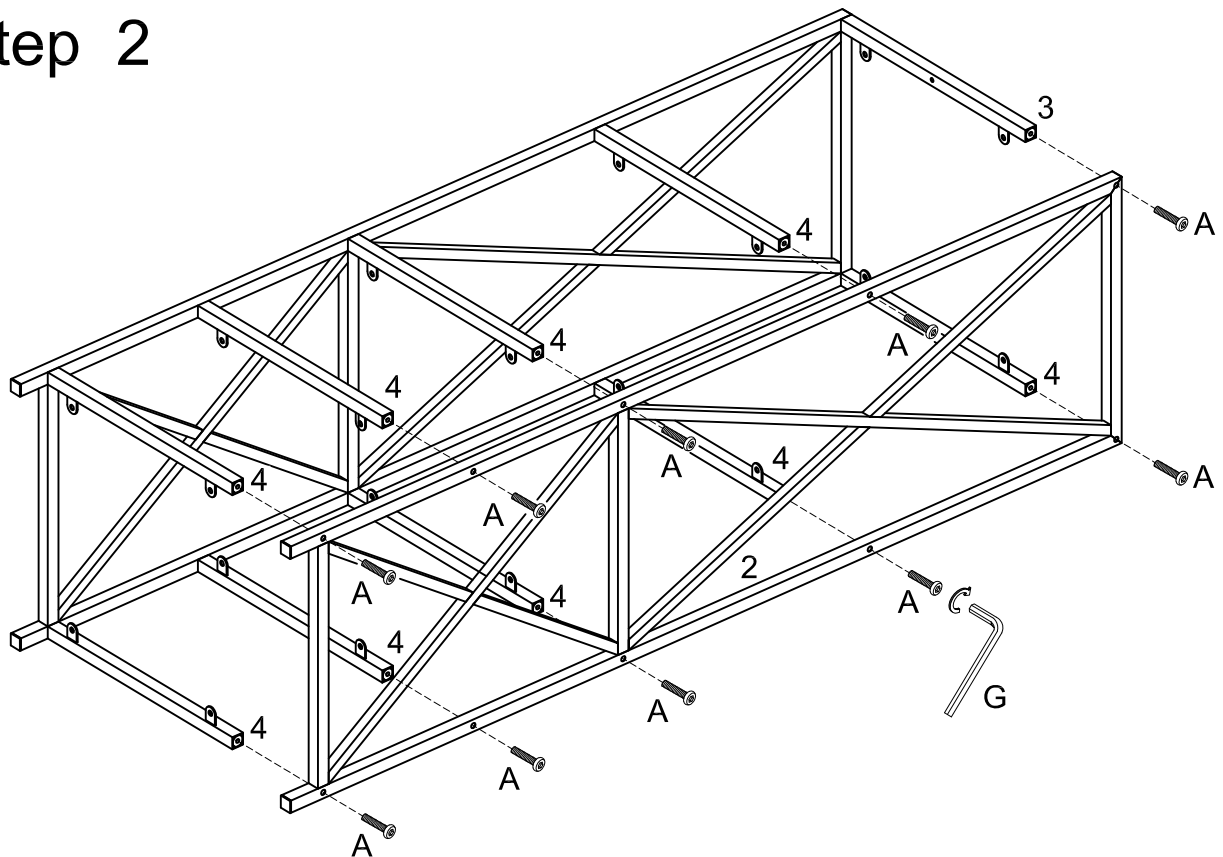
*The hardware quantities listed above are required for proper assembly.
Some extra hardware may also have been included.*

Step 1



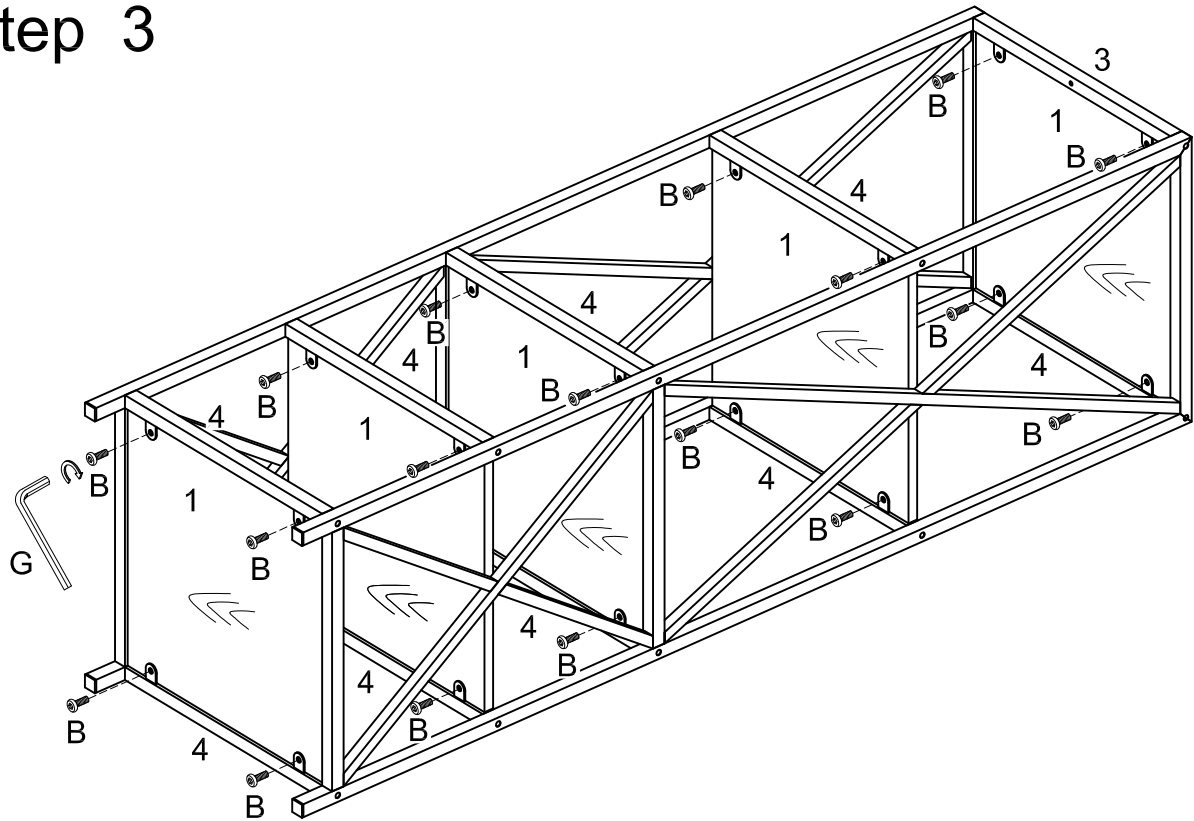
Use Wrench (G), Bolt (A) to secure the Support Bar (3, 4) to the Side Frame (2).

Step 2



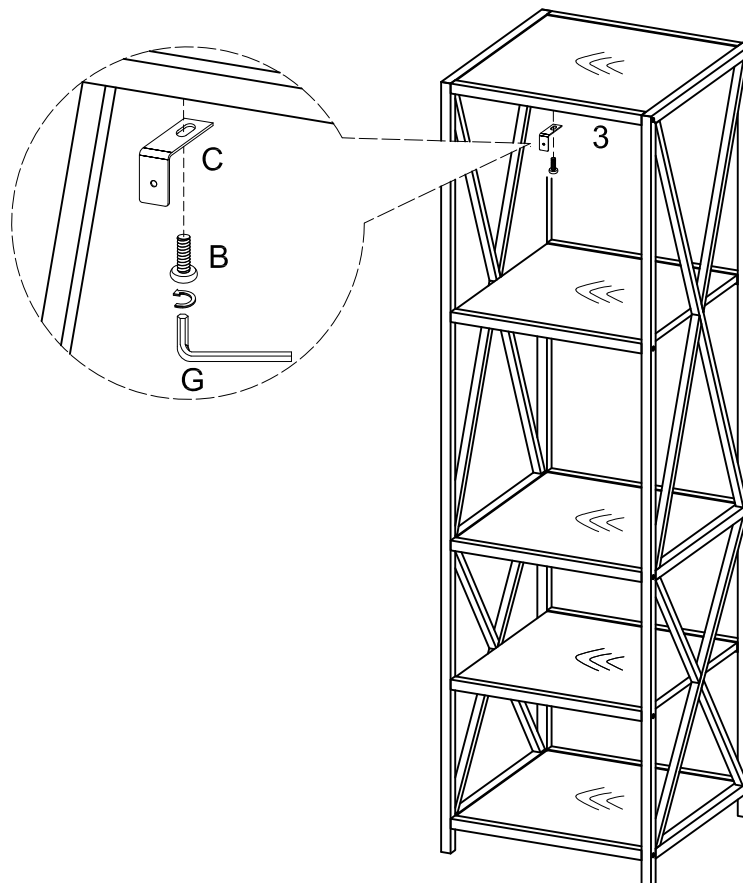
Use Wrench (G), Bolt (A) to secure the Support Bar (3, 4) to the Side Frame (2).

Step 3



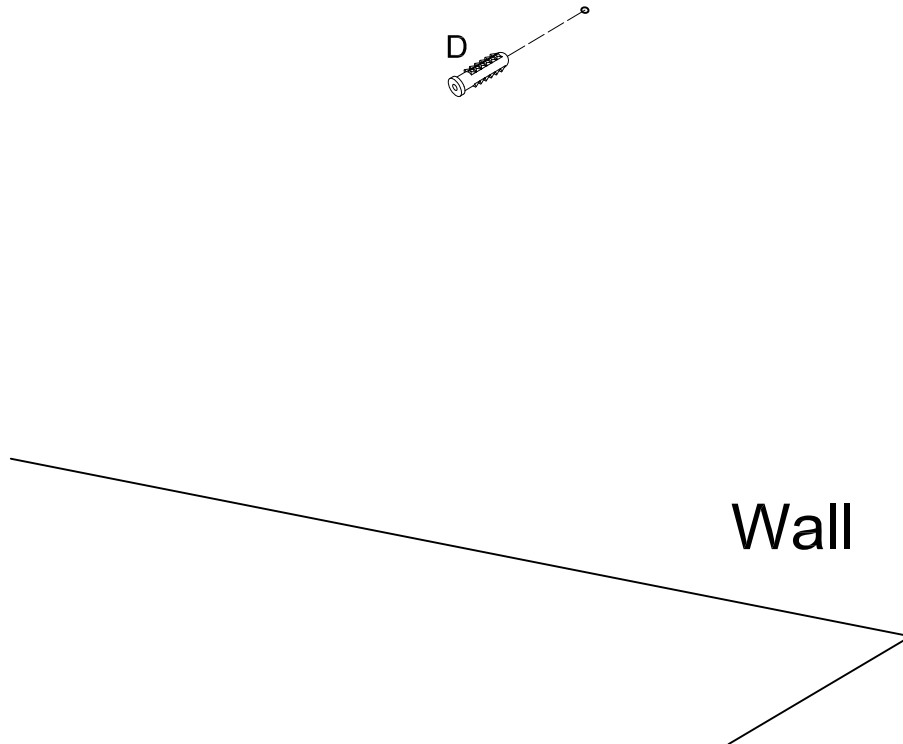
Use Wrench (G), Bolt (B) to secure the shelf (1) to the Support Bar (3, 4).

Step 4



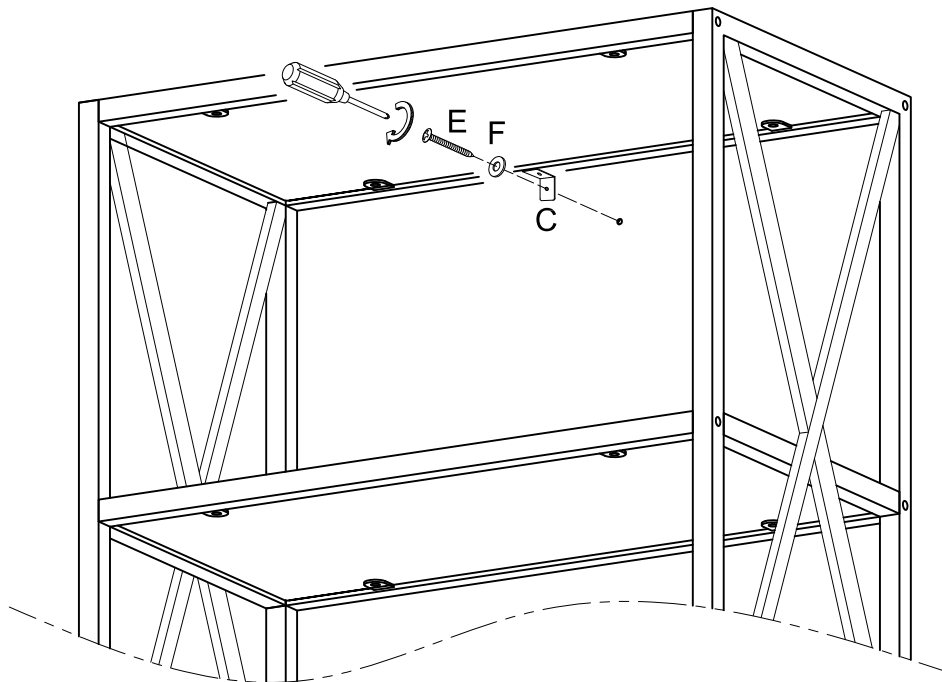
Use Wrench (G), Bolt (B) to secure the L Shape Bracket (C) to the Support Bar (3).

Step 5



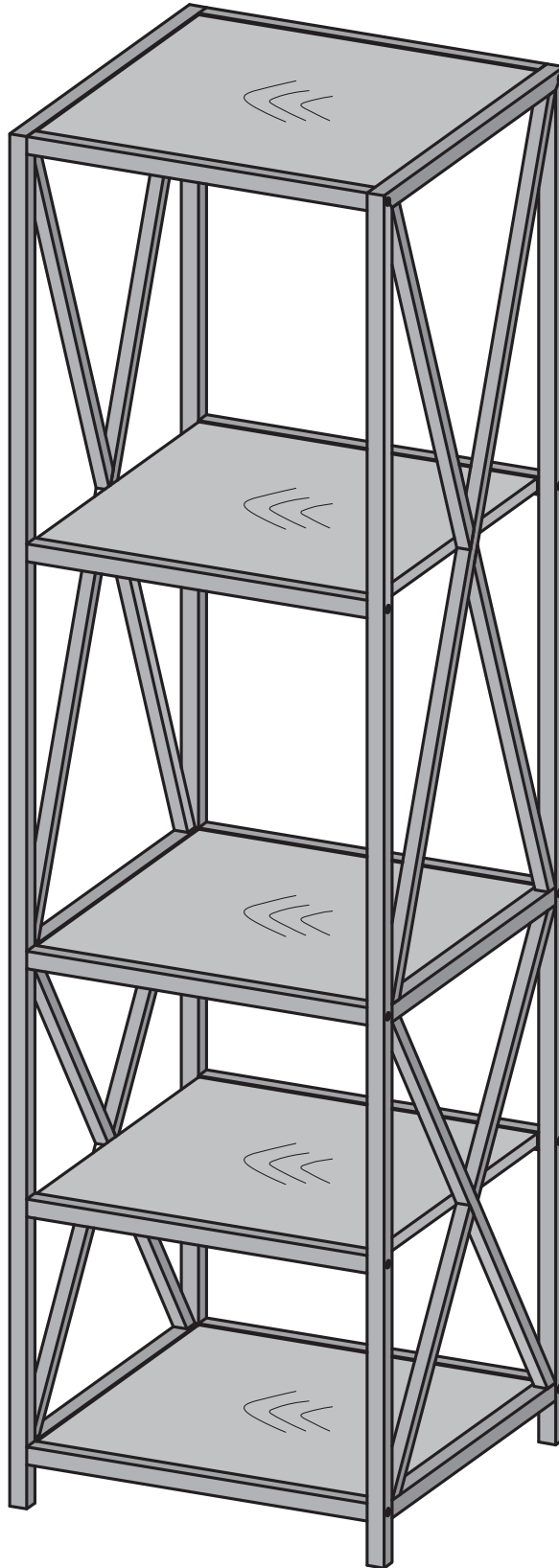
Insert the Wall Anchor (D) to the Wall.

Step 6



Secure the Screw (E), Washer (F) and L Shape Bracket (C) against the Wall as per diagram.

Step 7



Final Assembly