







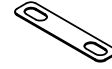



Assembly Instructions

HMIS F1823-04 HUTCH SKU #: 26818231

***Caution: Please read all instructions carefully before starting the assembly process. These parts are cumbersome and heavy. Therefore, two people are recommended in order to prevent personal injury and ensure the parts are not damaged during the assembly.

Code	PARTS LIST		
1	Table Top		1Pc
2	Right Middle Table Base		1Pc
3	Left Middle Table Base		1Pc
4	Side Table Base		2pcs
5	Middle Sheft		2pcs
6	Credenza (Sold Separately)		1Pc

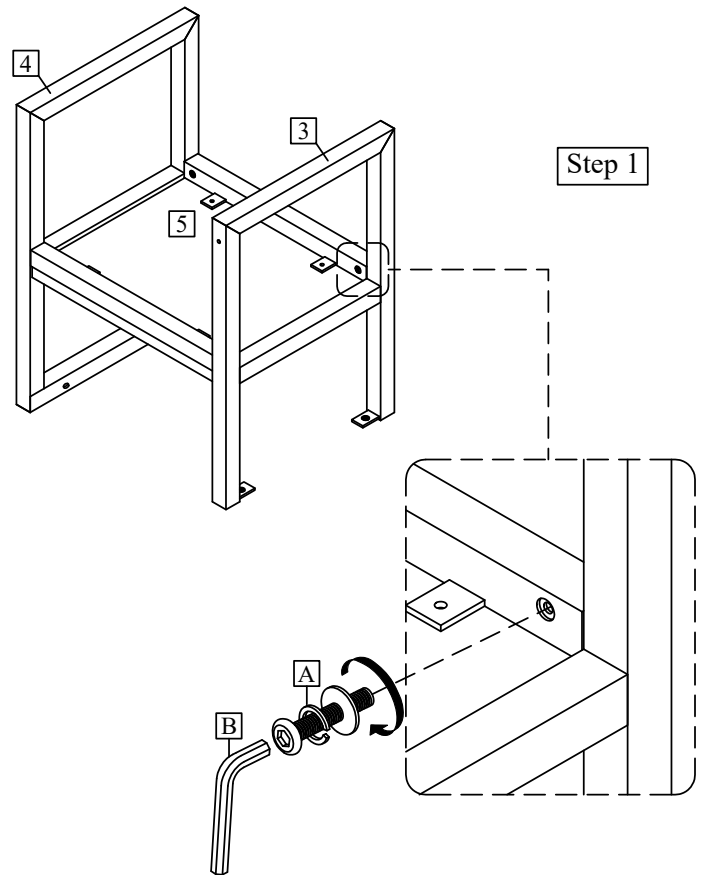
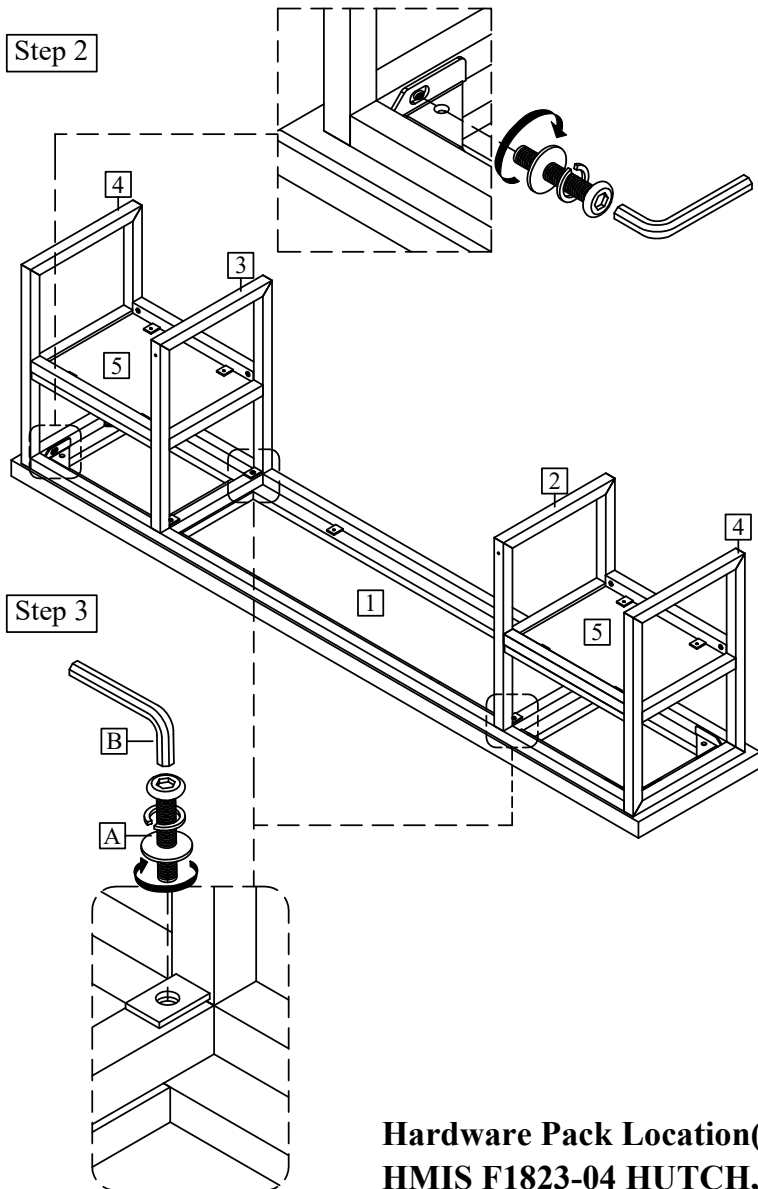
Step	Code	Hardware List		
1+2+3 5	A	Allen Bolt - Ø1/4x20x19mm		20Pcs
		Flat washer - Ø1/4x16x1.5mm		20Pcs
		Lock washer - Ø1/4"		20Pcs
	B	Allen Key - 4mm		1Pc
5	C	Iron -plate - 94 x 20 x 2mm		2Pcs

TOOLS REQUIRED (NOT PROVIDED)	
Description	Sketch
Phillips screwdriver	

Step 1 :Assembly the Side Table Base(4), Middle Table Base (2,3) with the Middle Sheft(5) using the bolts (A) and tighten them through by Allen Key (B) provided.

Do not fully tighten all bolts until the assembly is completed.
Step 2 + Step 3: Assembly Table Base(2), Middle Table Base (3) with the Table top(1) using the bolts (A) and tighten them through by Allen Key (B) provided.

Do not fully tighten all bolts until the assembly is completed.



Hardware Pack Location(s):
HMIS F1823-04 HUTCH, SKU# : 26818231

This product is manufactured by HMIS for

ROOMS TO GO ▶

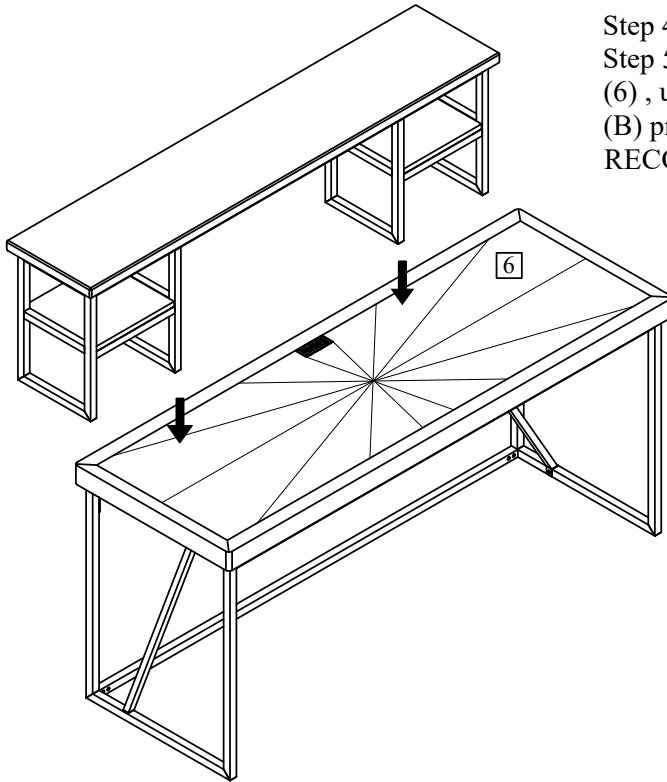
Assembly Instructions

HMIS F1823-04 HUTCH

SKU #: 26818231

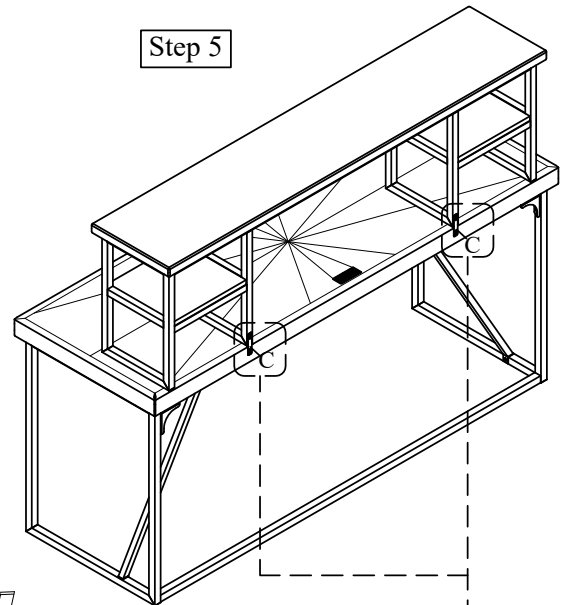
***Caution: Please read all instructions carefully before starting the assembly process. These parts are cumbersome and heavy. Therefore, two people are recommended in order to prevent personal injury and ensure the parts are not damaged during the assembly.

Step 4

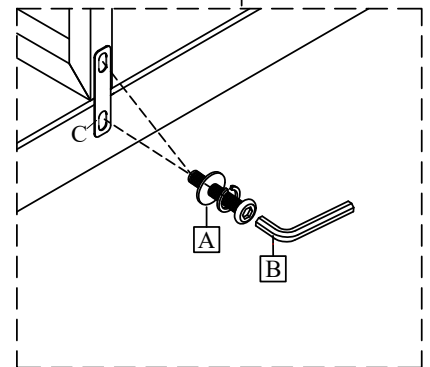
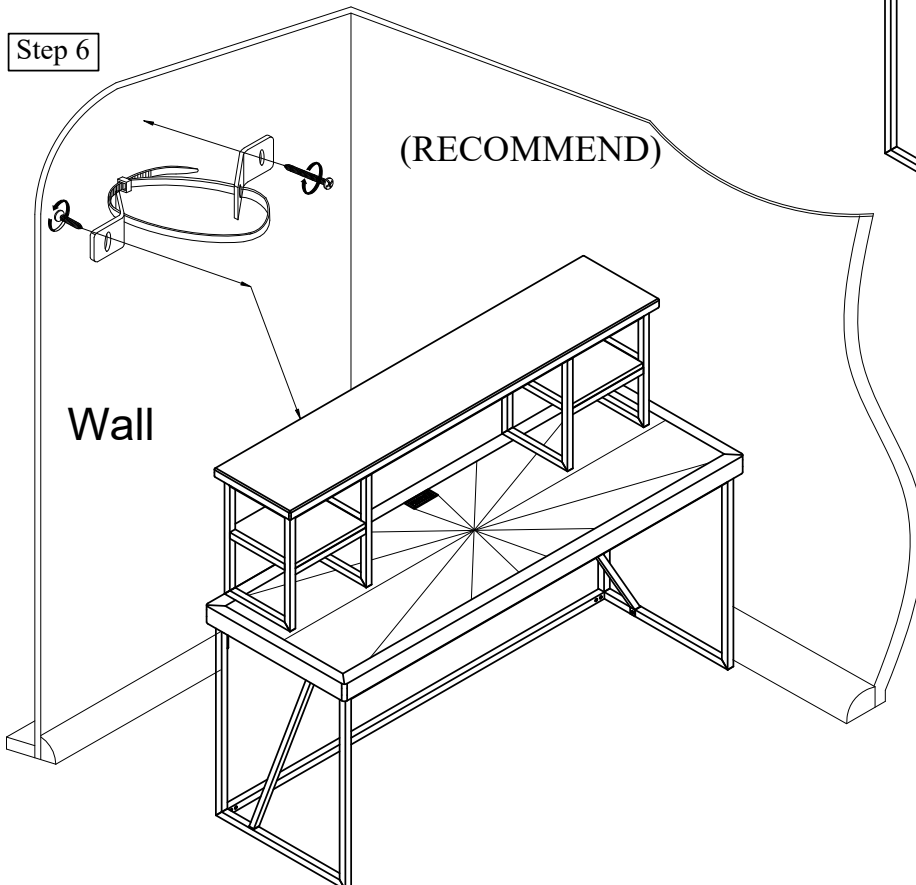


Step 4 :Put the Hutch on the Credenza (6) carefully.
Step 5 :Use the iron plate (C) to connect the Hutch with Credenza (6) , using the bolts (A) and tighten them through by Allen Key (B) provided. Tighten all the bolts. Assembly completed.
RECOMMEND: Install the anti-tipping kit of the Credenza (6).

Step 5



Step 6



This product is manufactured by HMIS for

ROOMS TO GO ▶