
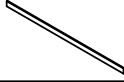



Assembly Instructions


HMIS F1823-05 CASTER ROLLING FILE

SKU # :26918233

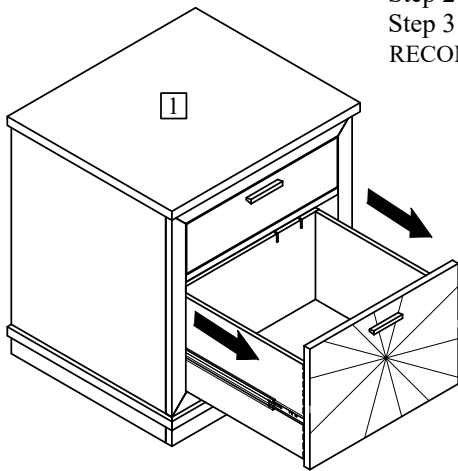
***Caution: Please read all instructions carefully before starting the assembly process. These parts are cumbersome and heavy. Therefore, two people are recommended in order to prevent personal injury and ensure the parts are not damaged during the assembly.

| Code | PARTS LIST | | |
|------|------------|---|------|
| 1 | Cabinet |  | 1Pc |
| 2 | Metal Rods |  | 2Pcs |

| Step | Code | Hardware List | | |
|------|------|-----------------------------|---|------|
| 4 | A | Furniture Tipping Restraint |  | 1Set |

| TOOLS REQUIRED (NOT PROVIDED) | |
|-------------------------------|---|
| Description | Sketch |
| Phillips screwdriver |  |

Step 1



Never open more than one drawer at a time.

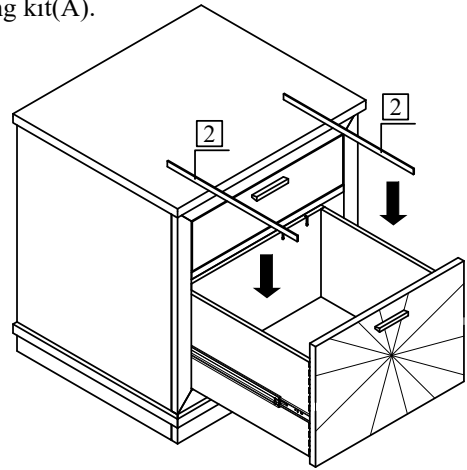
Step 1: Pull the bottom drawer out carefully.

Step 2 : Place metal rods (2) in groovers .

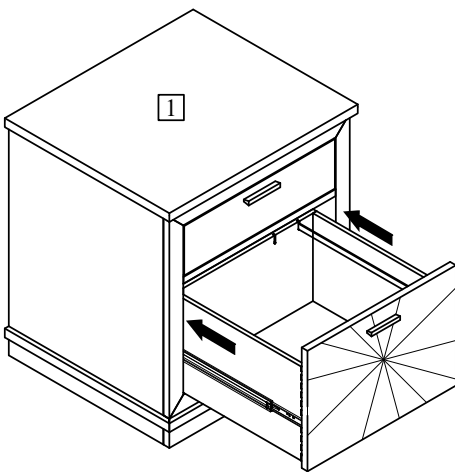
Step 3 : Put the bottom drawer in carefully.

RECOMMEND: Install the anti-tipping kit(A).

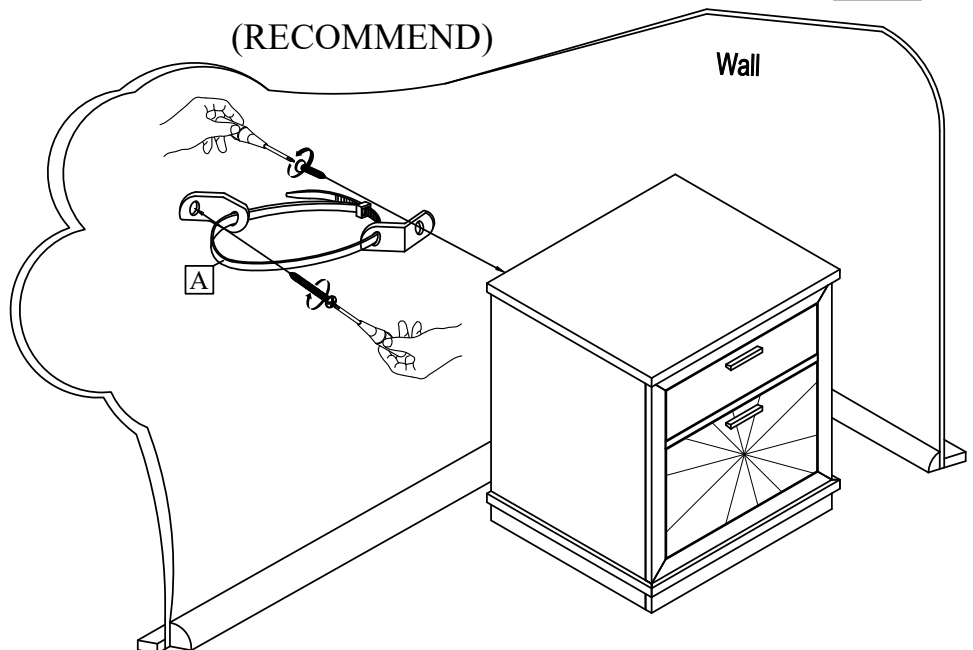
Step 2



Step 3



Step 4



This product is manufactured by HMIS for

ROOMS TO GO ▶