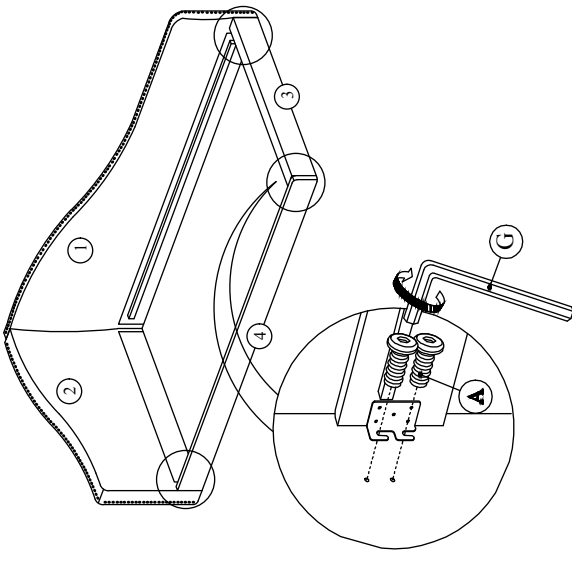


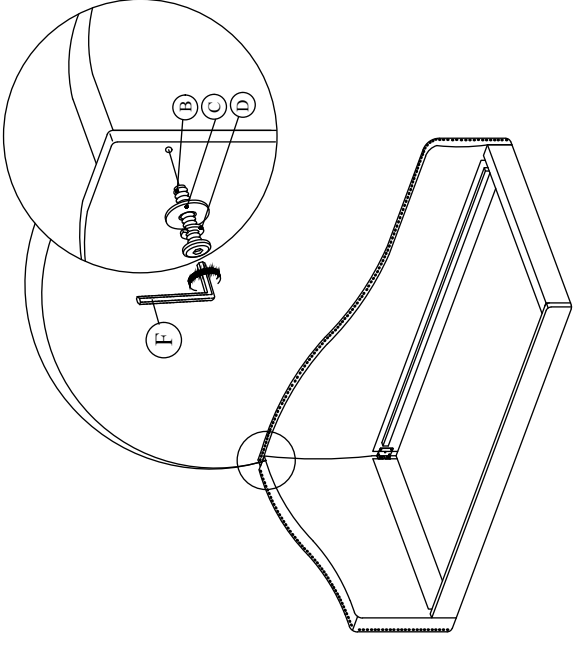
ITEM : MB-1031
 MB-1032
 MB-1034

NO	PART LIST	QTY
1	BACK REST	1PC
2	SIDE PANEL	1PC
3	SIDE PANEL	1PC
4	FRONT SIDE RAIL	1PC
5	LEG	4PCS
6	SLAT	2 SET
ITEM	HARDWARE	QTY
A	JCBB SCREW M8 x 20MM	6PCS
B	JCBC SCREW M6 x 50MM	3PCS
C	SPRING WASHER	3PCS
D	FLAT WASHER	3PCS
E	SCREW M4 x 32MM	8PCS
F	L - KEY M4 x 65MM	1PC
G	L - KEY M5 x 65MM	1PC

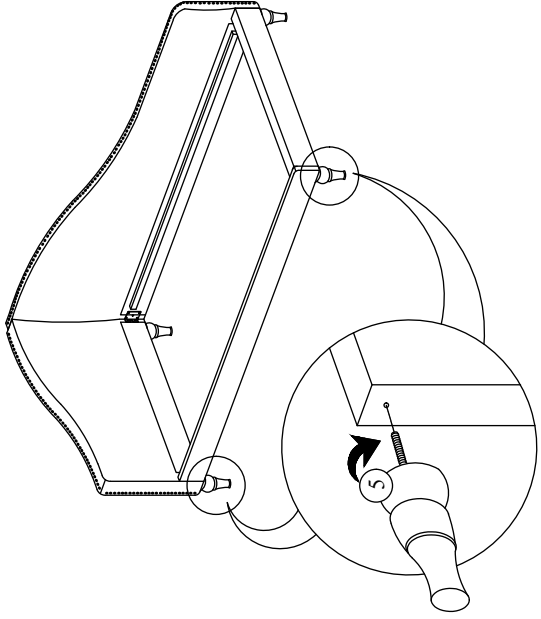
STEP 1



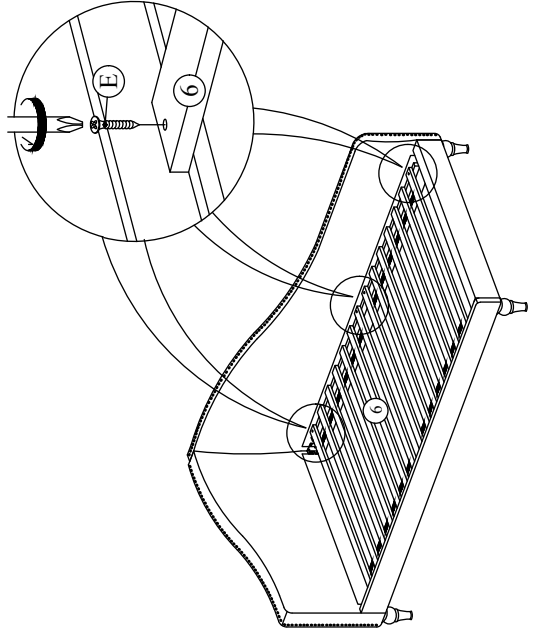
STEP 2



STEP 3



STEP 4



ASSEMBLY COMPLETE

Please do not tighten the hardware until the entire assembly is completed.