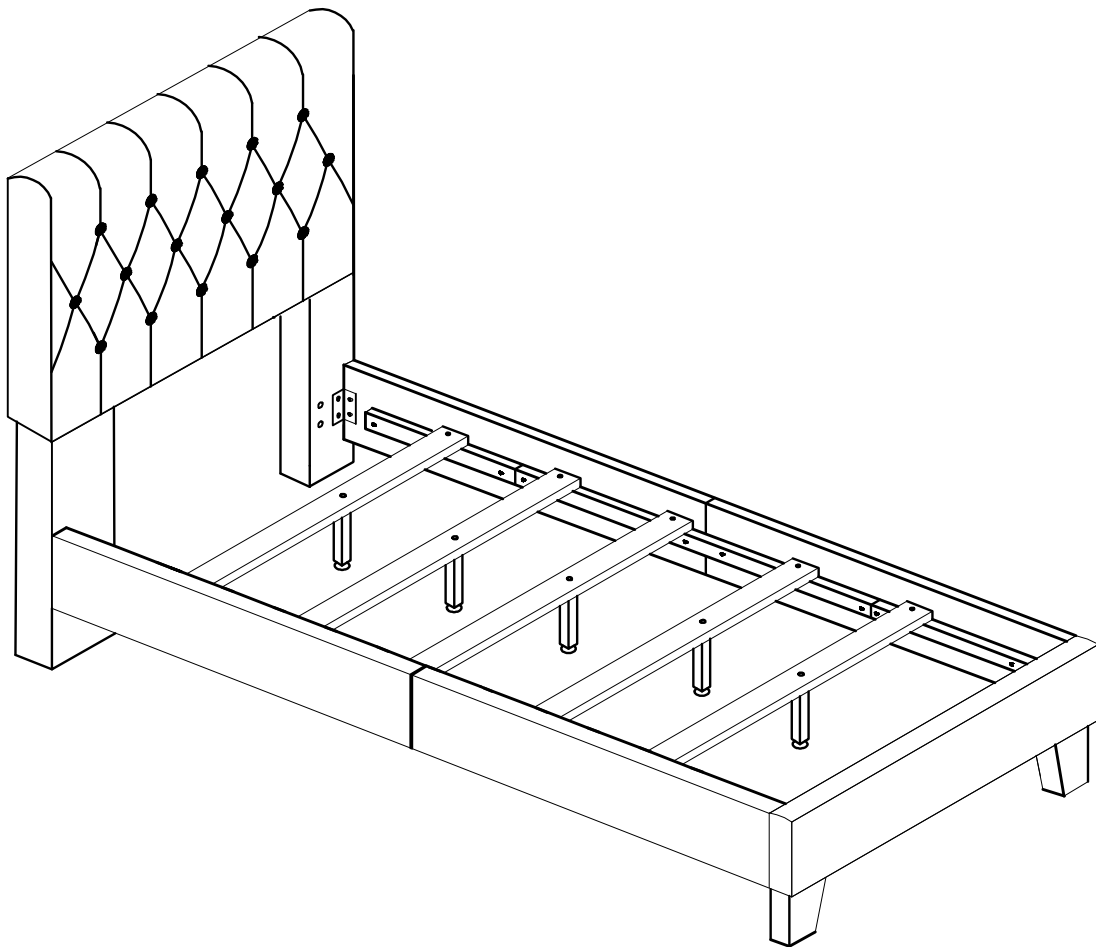


B128-8

# ASSEMBLY INSTRUCTION



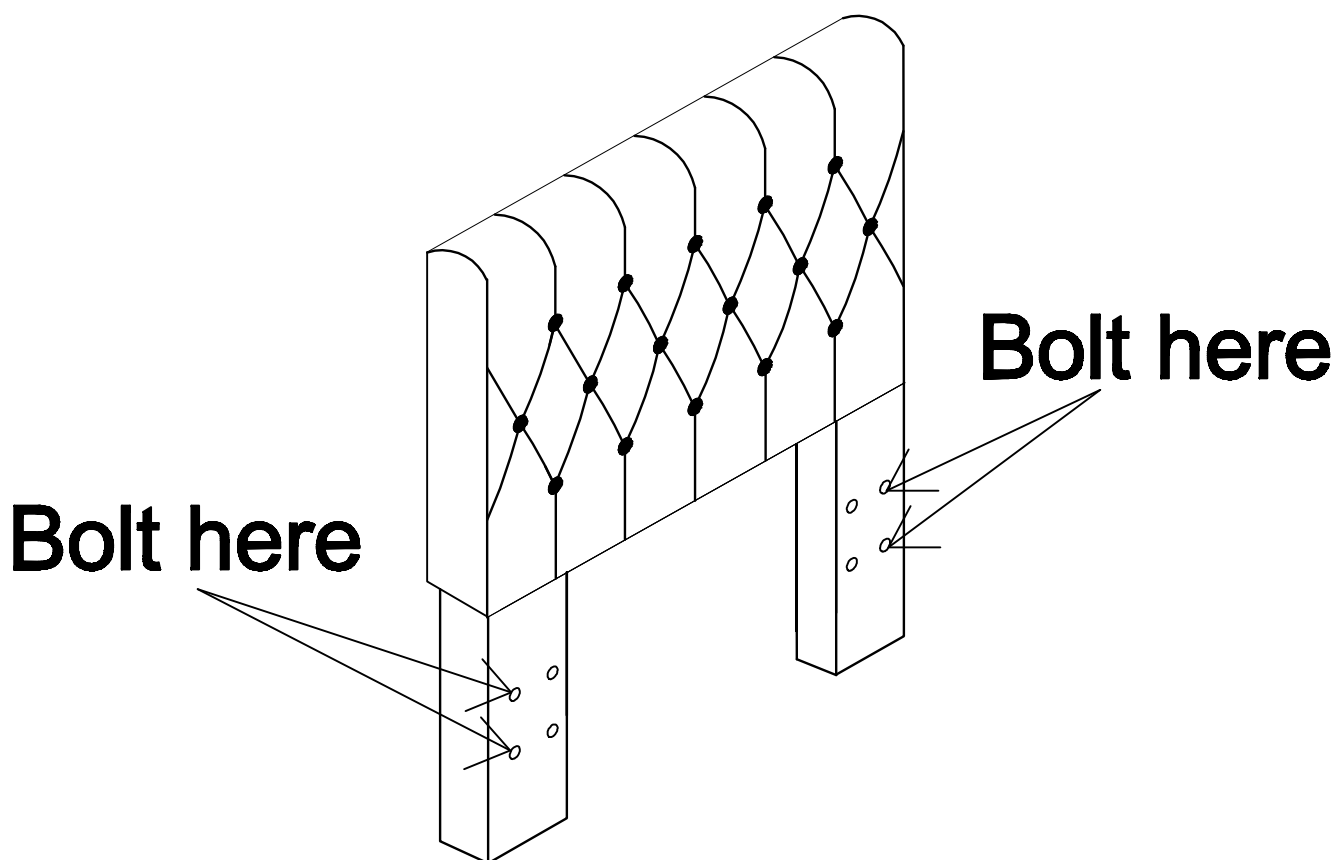
For parts and customer service  
contact: [service@emeraldhome.com](mailto:service@emeraldhome.com)

[www.emeraldhome.com](http://www.emeraldhome.com)

## ATTENTION:

Head Board legs are interchangeable  
(Right & Left)

Always bolt Bed Rails into outside  
Headboard Leg holes as shown in  
illustration.



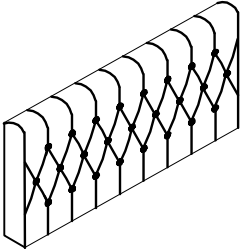
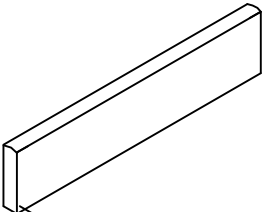
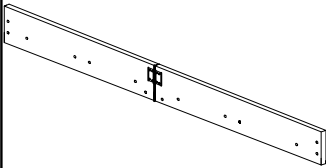
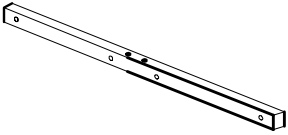
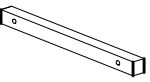
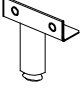
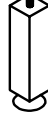

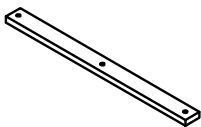

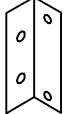
**SKU:B128-8****ASSEMBLY INSTRUCTIONS**

Thank you for purchasing this product. Be sure to check all packaging materials carefully for small parts that may have come loose inside the carton during shipment.


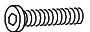
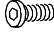





**Before you Assemble:** Please read all instructions carefully before beginning the assembly process. It is recommended that 2 people work together during assembly to prevent personal injury and to ensure that heavy or cumbersome parts are not damaged during the process.

**CAUTION:** For your safety, this product requires two people to lift.

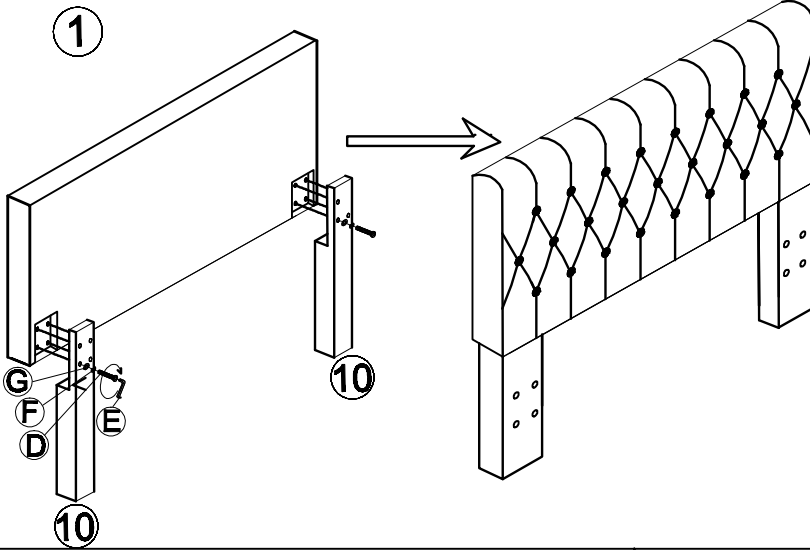
**PARTS LIST:**

<b>① Headboard-1pc</b> 	<b>② Footboard-1pc</b> 	<b>③ Side Rail-2pcs</b> 	<b>④ Side Slat Wood -A-2pcs</b> 
<b>⑤ Side Slat Wood -B-4pcs</b> 	<b>⑥ Support Leg-2pcs</b> 	<b>⑦ Support Leg-5pcs</b> 	<b>⑧ Leg-2pcs</b> 
<b>⑨ Slats-5pcs</b> 	<b>⑩ Leg-2pcs</b> 	<b>⑪ Meatl Connector -4pcs</b> 	

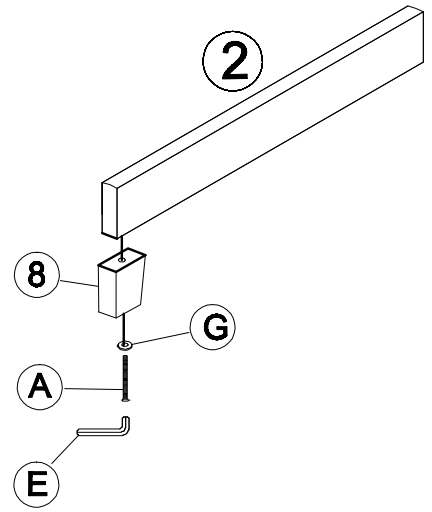
**HARDWARE LIST:**

<b>A Bolt M8*100mm-2pcs</b> 	<b>B Bolt M8*40mm-16pcs</b> 	<b>C Bolt M8*20mm-20pcs</b> 	<b>D Bolt M8*50mm-8pcs</b> 
<b>E Allen Key-1pc</b> 	<b>F Spring Washer-24pcs</b> 	<b>G Flat Washer-46pcs</b> 	<b>H Screw M4*35-10pcs</b> 

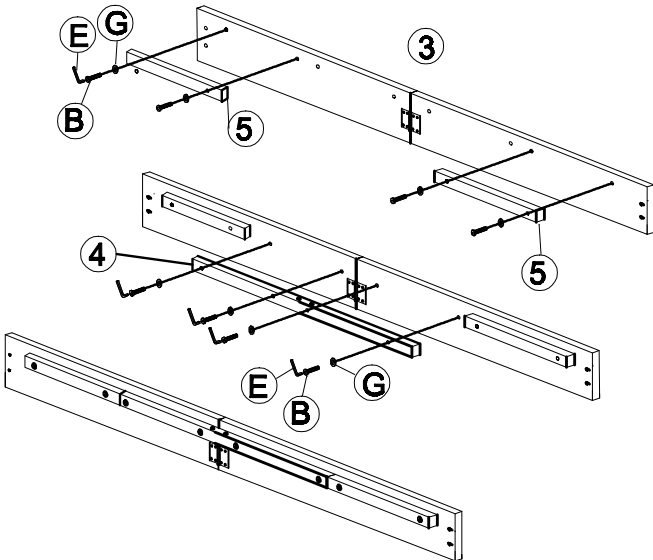
**STEP 1:**



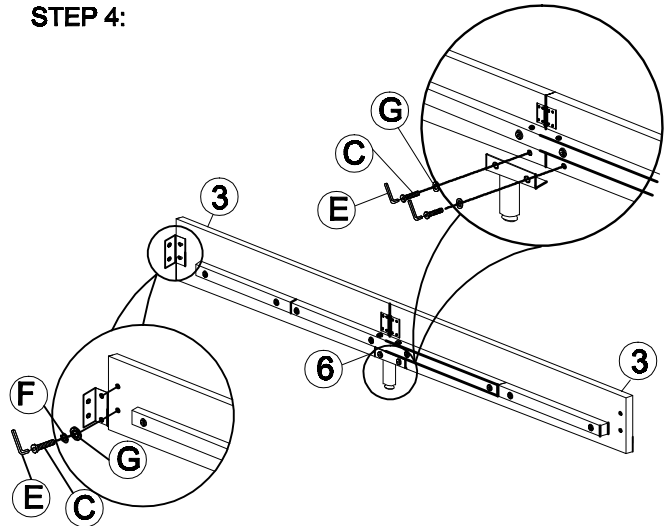
**STEP 2:**



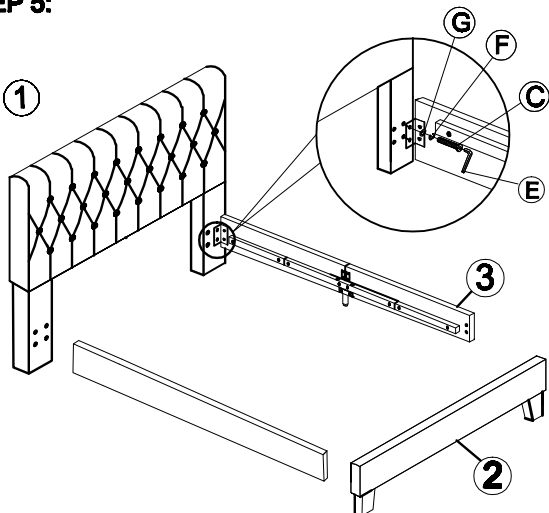
**STEP 3:**



**STEP 4:**



**STEP 5:**



**STEP 6:**

