



REV 01



33329W Twin Bed

PLEASE CONTACT US FOR QUESTIONS

Email our support team: help@ovis.co

CAUTION:

Do not attempt to slide the bed once it is fully assembled. To avoid structural damage while moving your assembled bed, any mattress and bedding should be removed from the bedframe. Then the bedframe should be lifted and carried (not slid) to your desired location.

When placing furniture on non-carpeted flooring, we recommend the use of floor protection such as an area rug or furniture pads. Area rugs and padding not included with purchase.



Estimated Time for Assembly

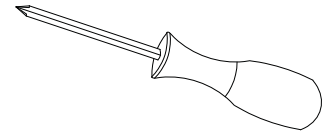
25:00 - 35:00



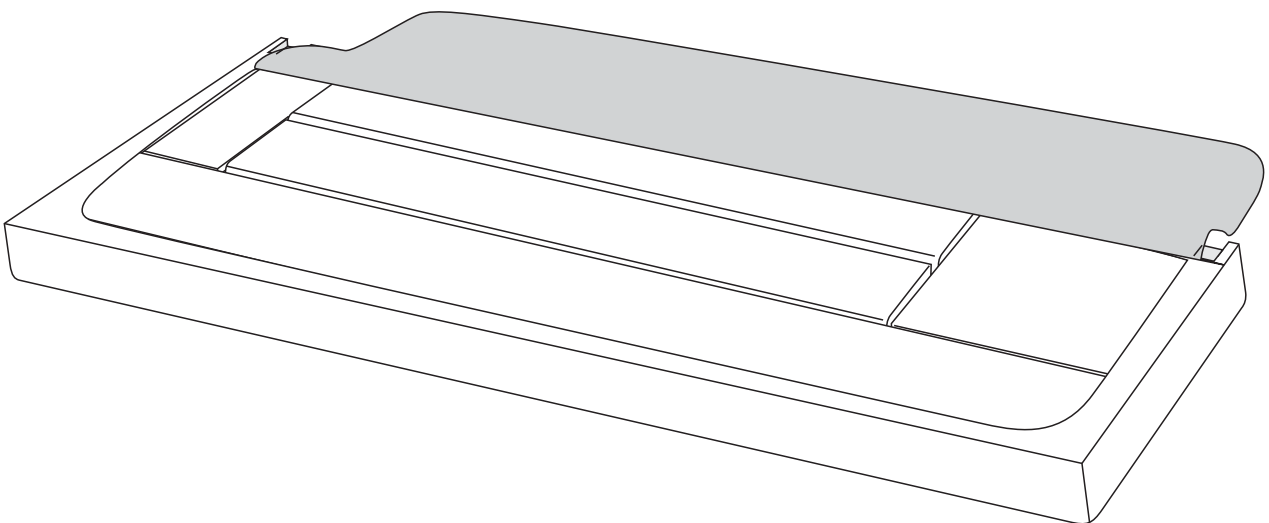
Weight Limitation

600 lbs

Additional Tools Needed – Phillips Screwdriver.



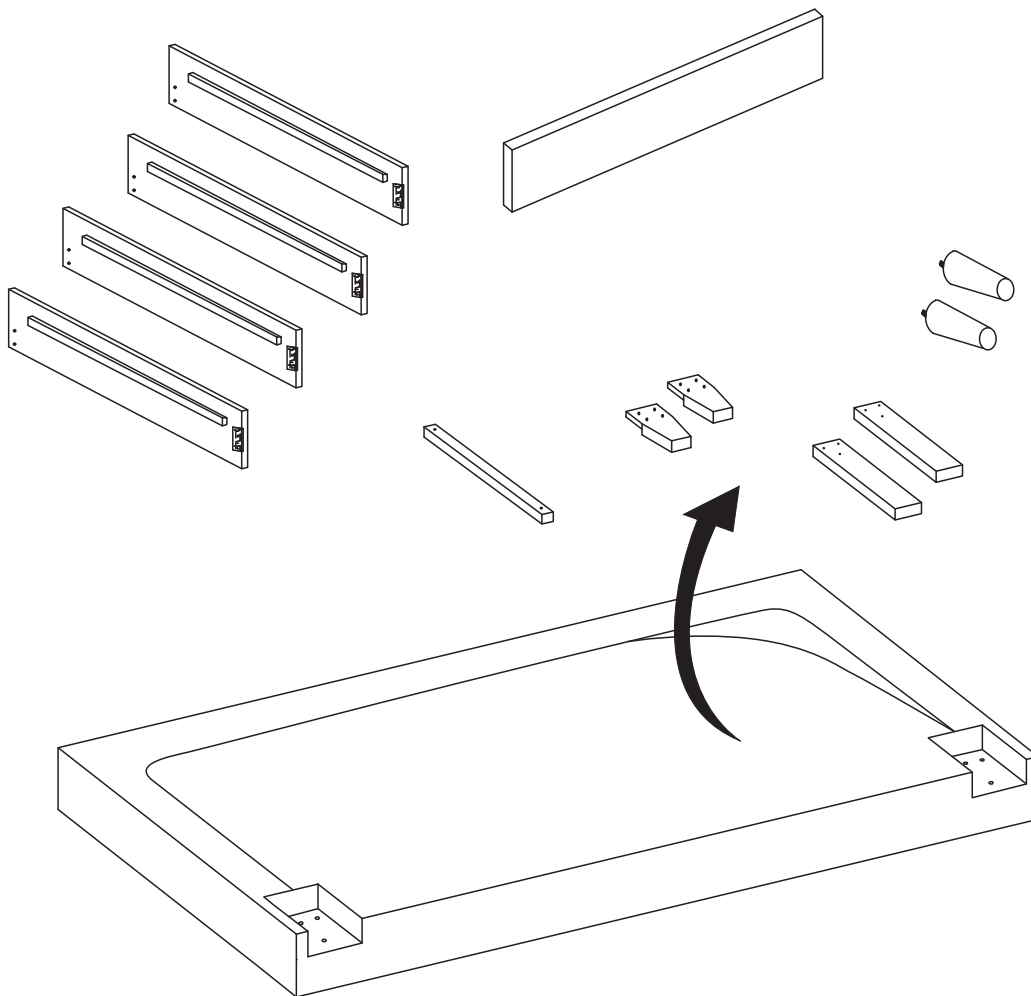
Bed Parts are shipped inside a compartment
in the back of the headboard.



PLEASE CONTACT US FOR QUESTIONS

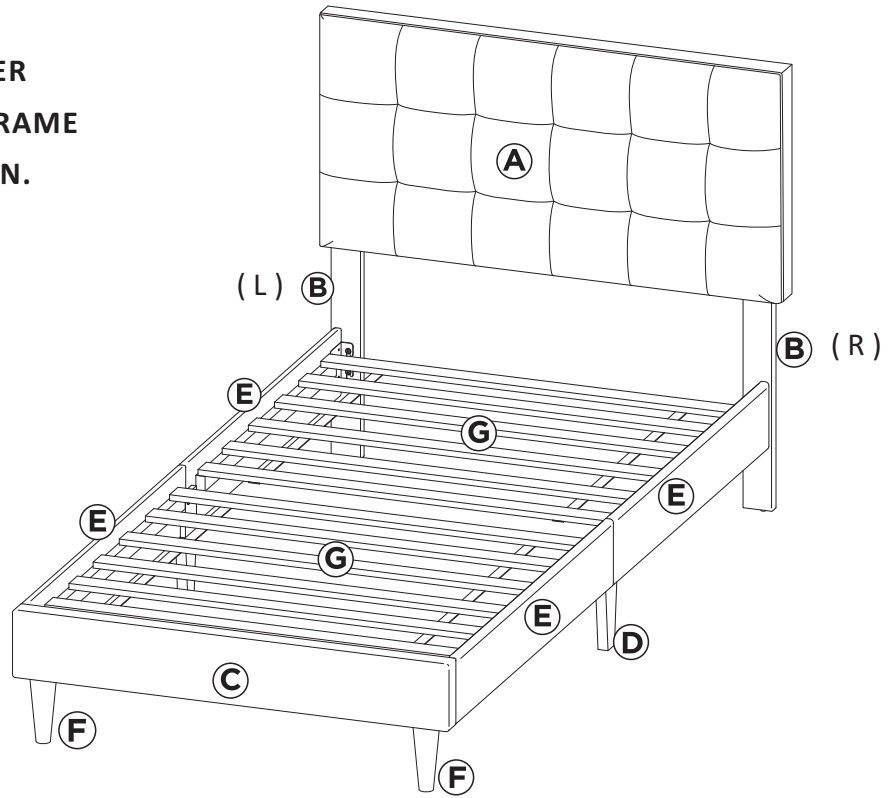
Email our support team: help@ovis.co

Remove parts from headboard compartment



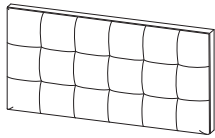
PACKAGE CONTENT

CAUTION:
DO NOT SLIDE BED AFTER
ASSEMBLY. LIFT THE BED FRAME
INTO ITS FINAL POSITION.

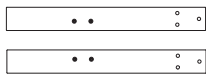


TWIN BED

Components



A X 1 pc



(L) **B** X 1 set
 (R)



C X 1 pc



D X 2 pcs



E X 2 sets

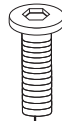


F X 2 pcs

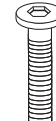


G X 2 rolls

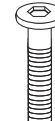
Hardware



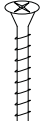
J
 M8X20
 8 pcs



K
 M6X35
 8 pcs



L
 M6X50
 6 pcs



N
 M4X32
 24 pcs



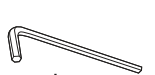
O
 M6
 8 pcs



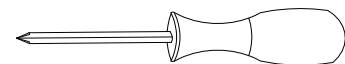
P
 M6
 6 pcs



Q
 M4
 1 pc

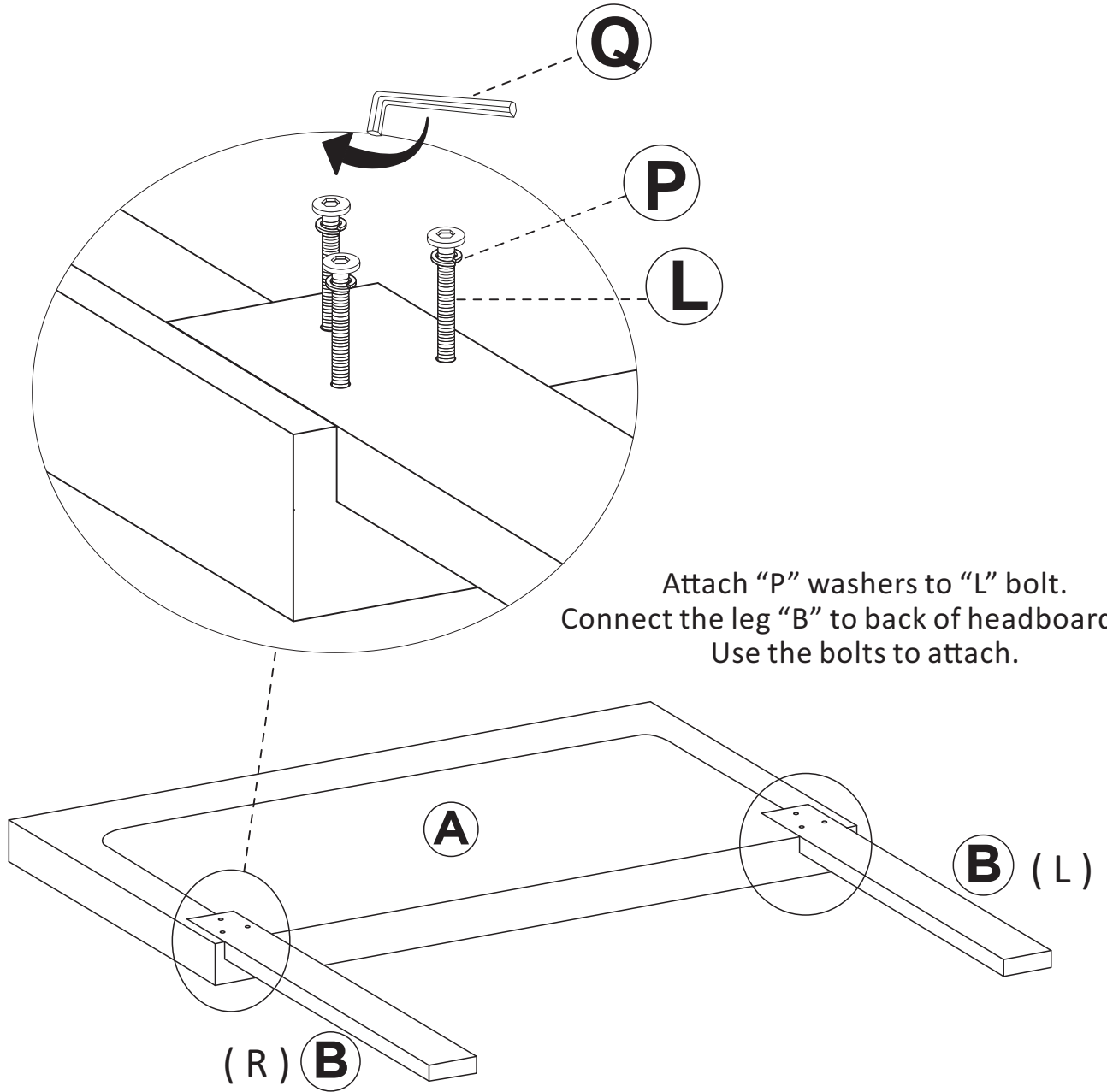
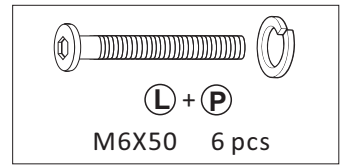


R
 M5
 1 pc

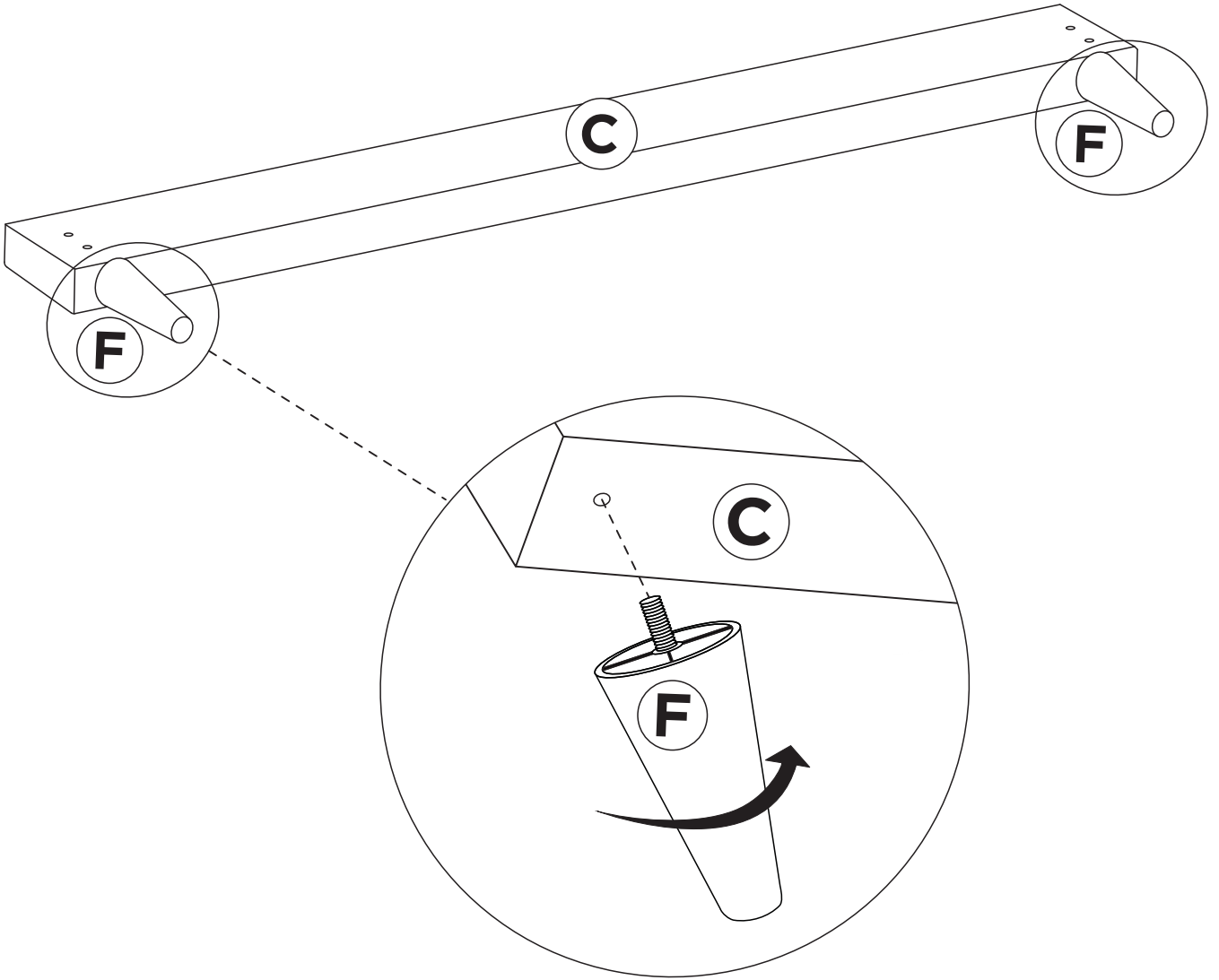


PHILLIPS SCREWDRIVER
 REQUIRED
 (NOT INCLUDED)

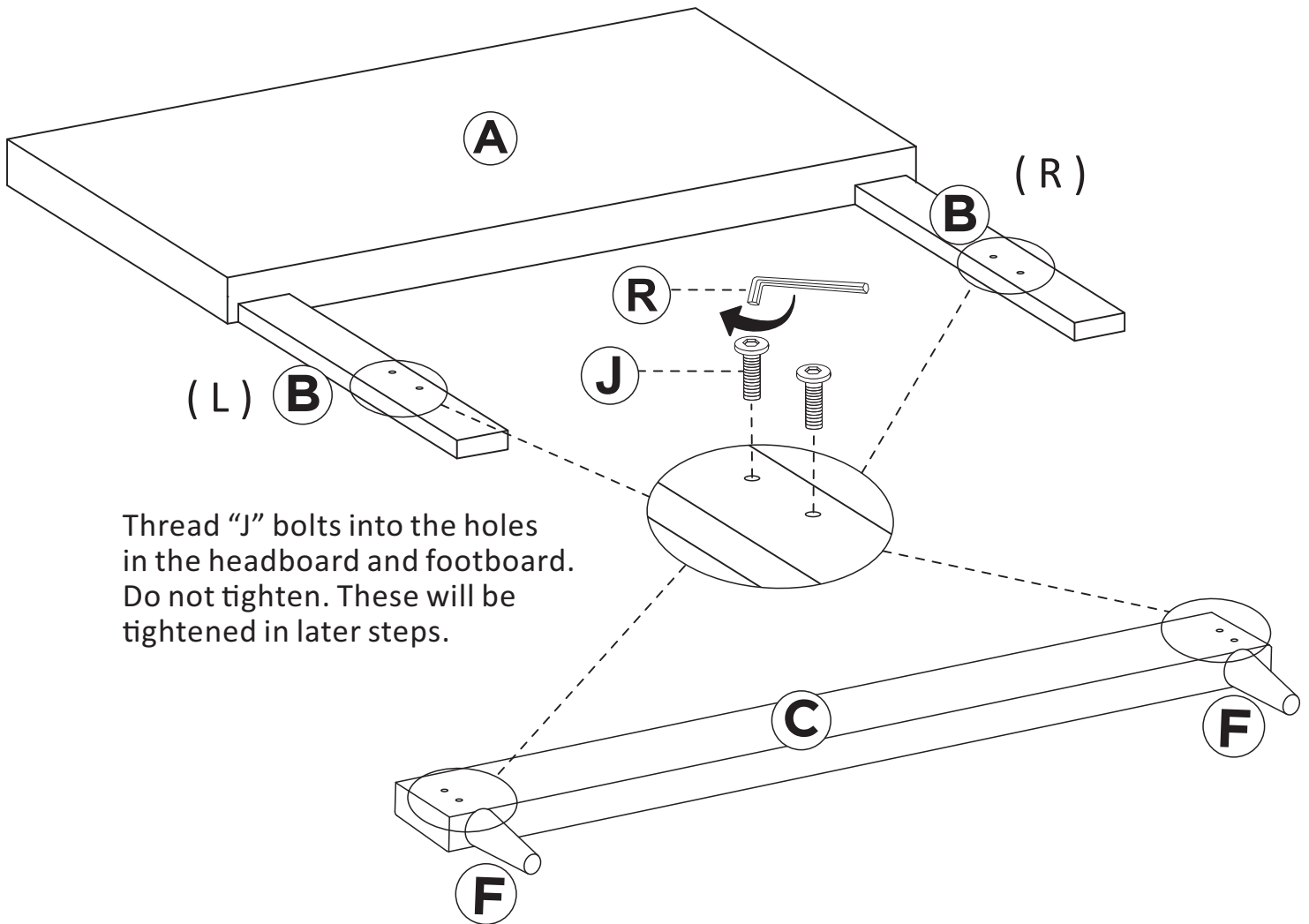
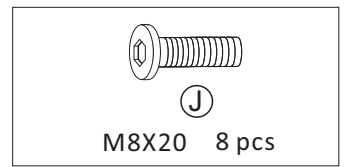
1.



2.

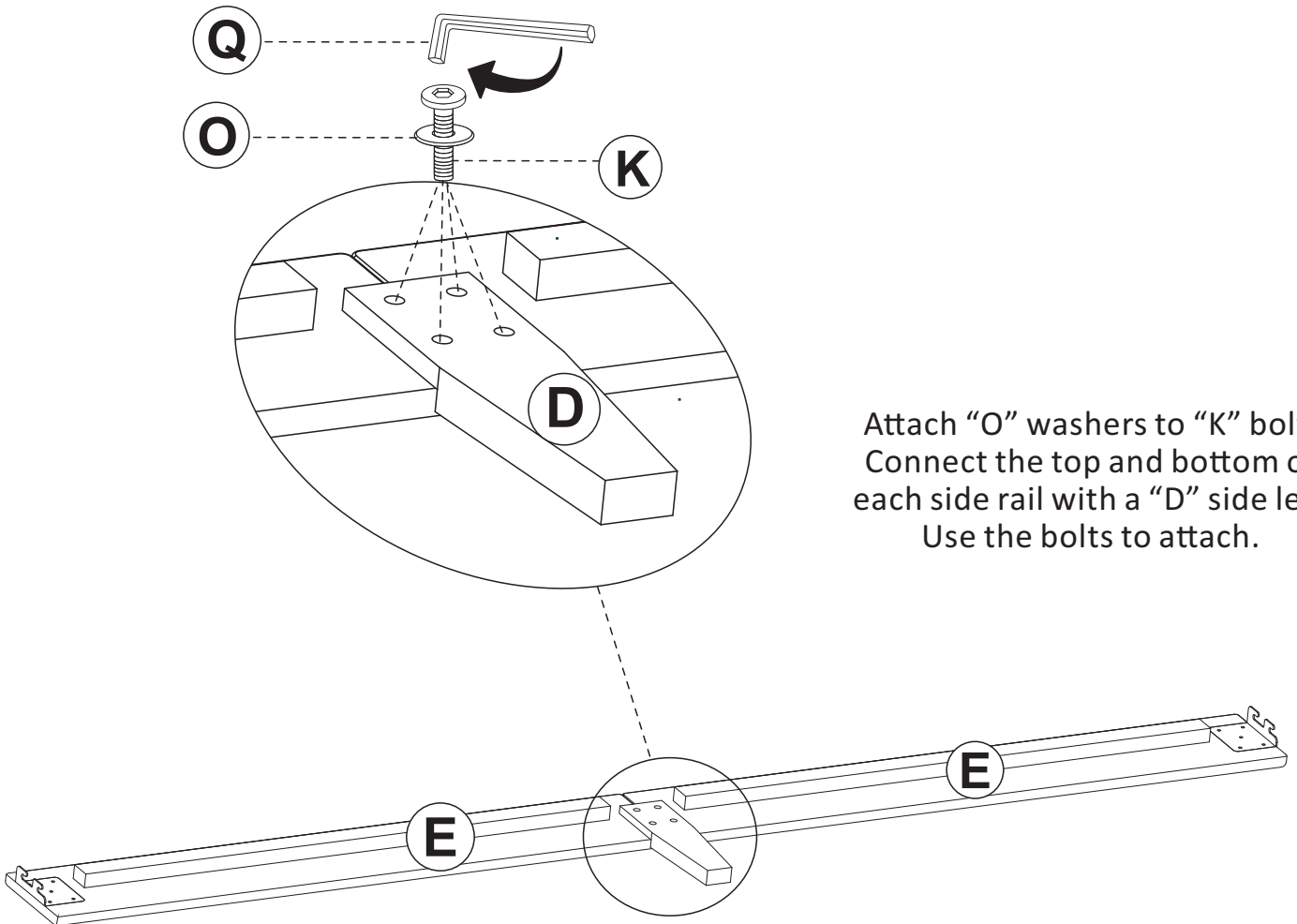
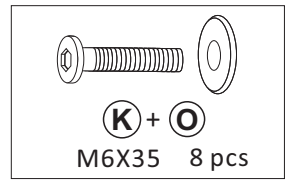


3.



Thread "J" bolts into the holes in the headboard and footboard. Do not tighten. These will be tightened in later steps.

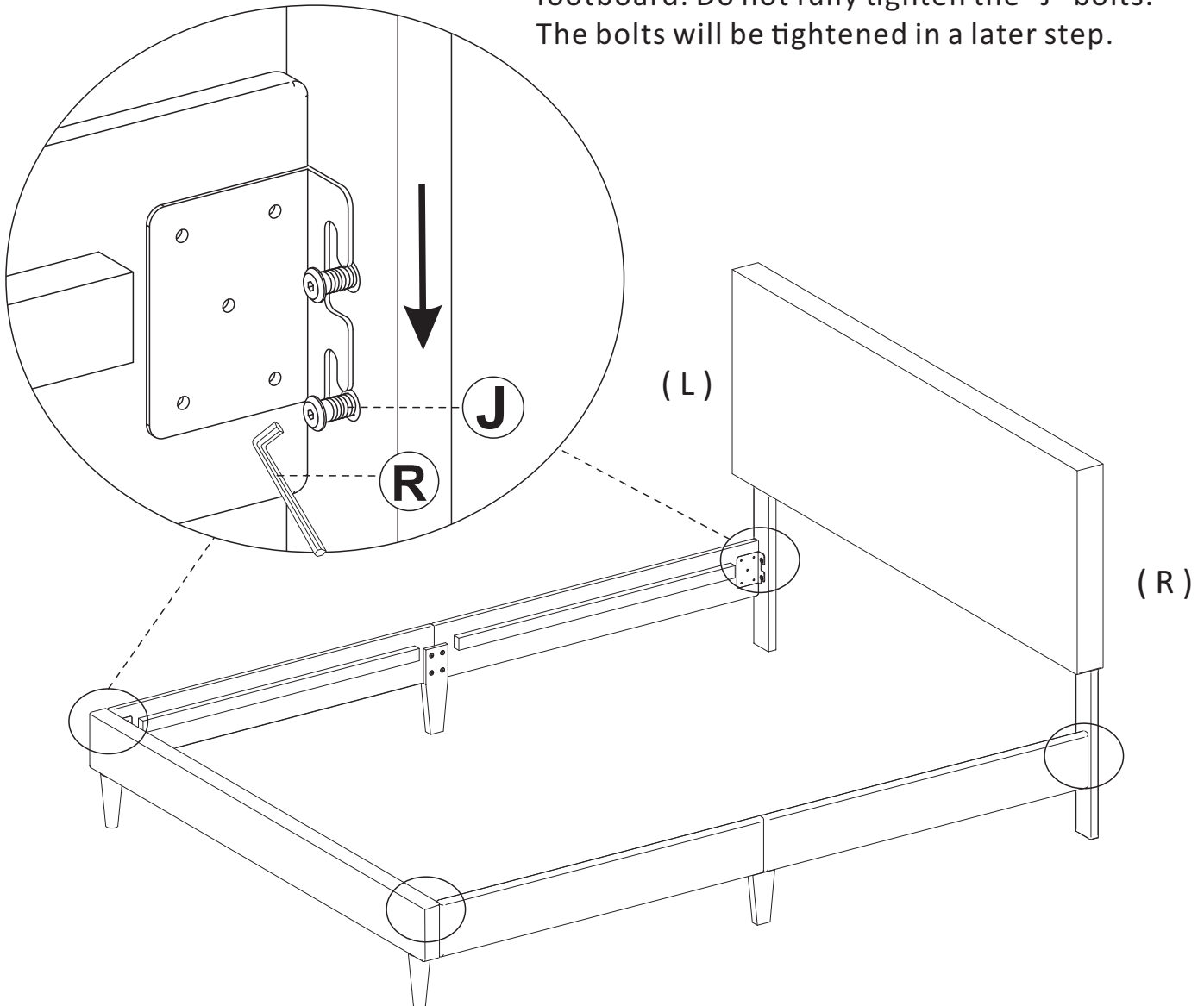
4.



Repeat steps to assemble right side rail.

5.

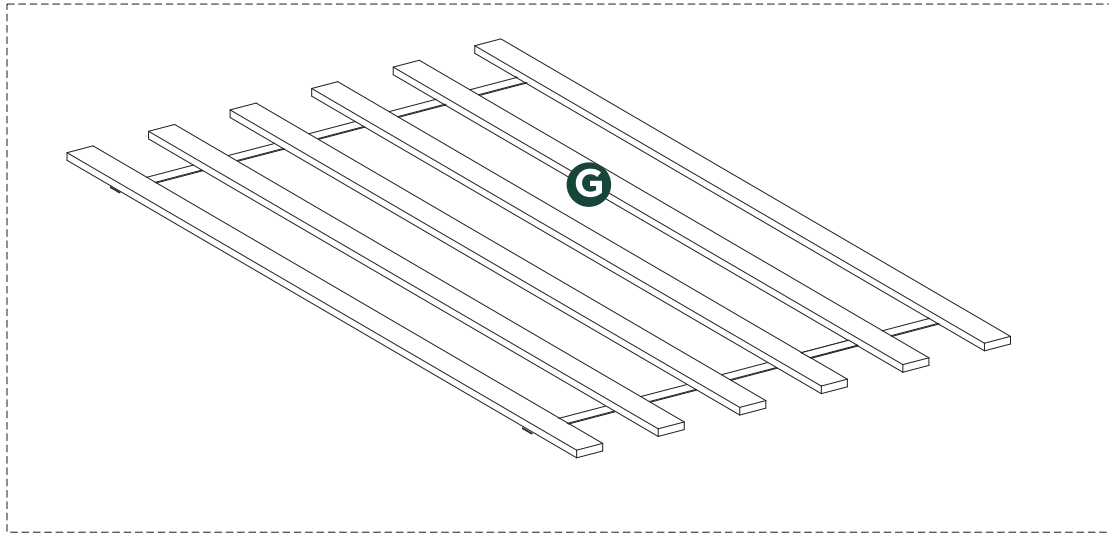
Hang the hooks at the ends of the side rails onto the "J" bolts in the headboard leg and the footboard. Do not fully tighten the "J" bolts. The bolts will be tightened in a later step.



NOTE:

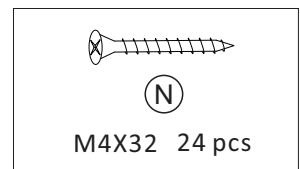
Do not attempt to slide the bed once it is fully assembled. Sliding the bed could result in damage to the rails, headboard, or footboard. Assembled bed should be lifted and carried when being moved. (not slid)

6.



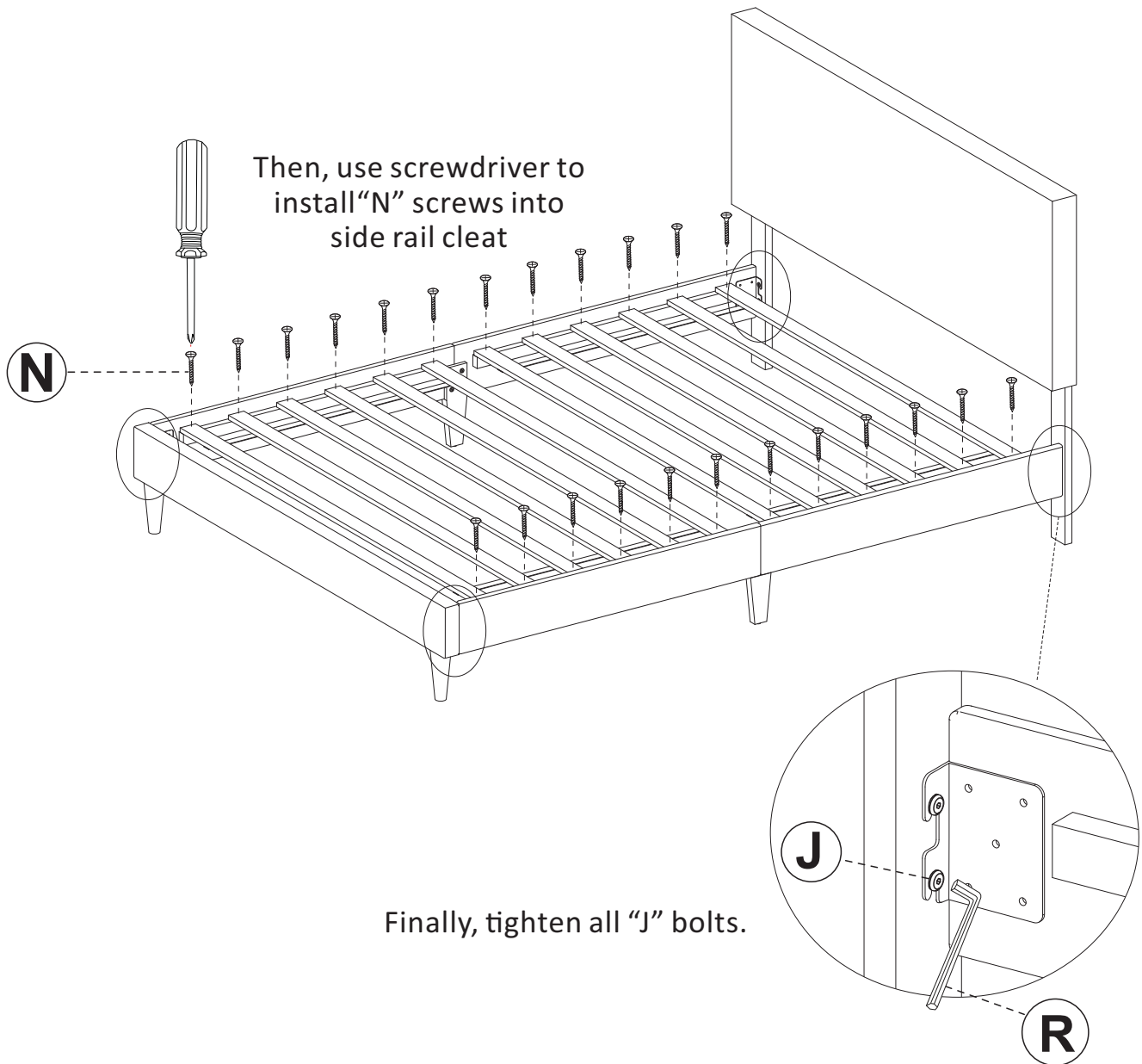
First, place the slats roll into the frame of the bed, then extend the slats as shown in next page.

7.



NOTE:

Do not place a mattress on bedframe until it is fully assembled and the bedframe located in your desired location.



NEED ADDITIONAL HELP?

Email our support team: help@ovis.co