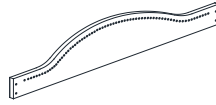
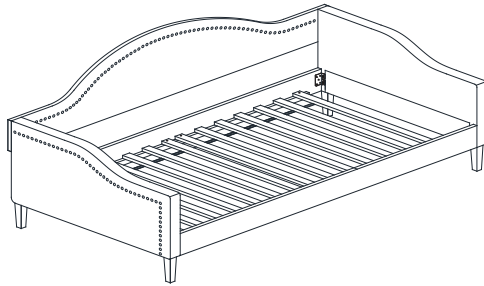




# PARTS LIST / LISTE DES PIÈCES / LISTA DE PIEZAS

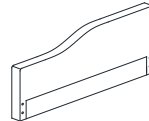
ITEM NO. / ARTICLE NO. / ARTICULO NO :DS-D404-742

DESCRIPTION / LA DESCRIPTION / DESCRIPCIÓN : TWIN CAMELBACK DAYBED - LT GREY/LIT DE REPOS/DIVÁN



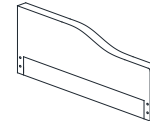
**A**

x1 Back Rest  
x1 Dossier  
x1 Espaldar



**B1**

x1 Left Arm Rest  
x1 Accoudoir gauche  
x1 Brazo izquierdo



**B2**

x1 Right Arm Rest  
x1 Accoudoir droit  
x1 Brazo derecho



**C**

x1 Front Side Rail  
x1 Avant Traverse  
x1 Delantera Travesaño lateral



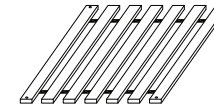
**D**

x1 Back Side Rail  
x1 Arrière Traverse  
x1 Trasera Travesaño lateral



**E**

x4 Leg  
x4 Jambes  
x4 Piernas



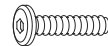
**F**

x2 Daybed Slat  
x2 Lit de repos latte  
x2 Diván Listón



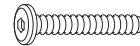
**G**

x8 Allen Bolt M8 x 20  
x8 Vis à tête creuse hexagonale M8 x 20  
x8 Perno Allen M8 x 20



**H**

x8 Allen Bolt M6 x 15  
x8 Vis à tête creuse hexagonale M6 x 15  
x8 Perno Allen M6 x 15



**I**

x4 Allen Bolt M6 x 50  
x4 Vis à tête creuse hexagonale M6 x 50  
x4 Perno Allen M6 x 50



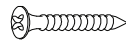
**J**

x12 Spring Washer  
x12 Rondelle à ressort  
x12 Arandela auto-bloquante



**K**

x4 Flat Washer  
x4 Rondelle plate  
x4 Arandela plana



**L**

x8 Screw M4 x 32  
x8 Vis M4 x 32  
x8 Tornillo M4 x 32



**M**

x1 Allen Wrench M5 x 65  
x1 Clé hexagonale M5 x 65  
x1 Llave Allen M5 x 65



**N**

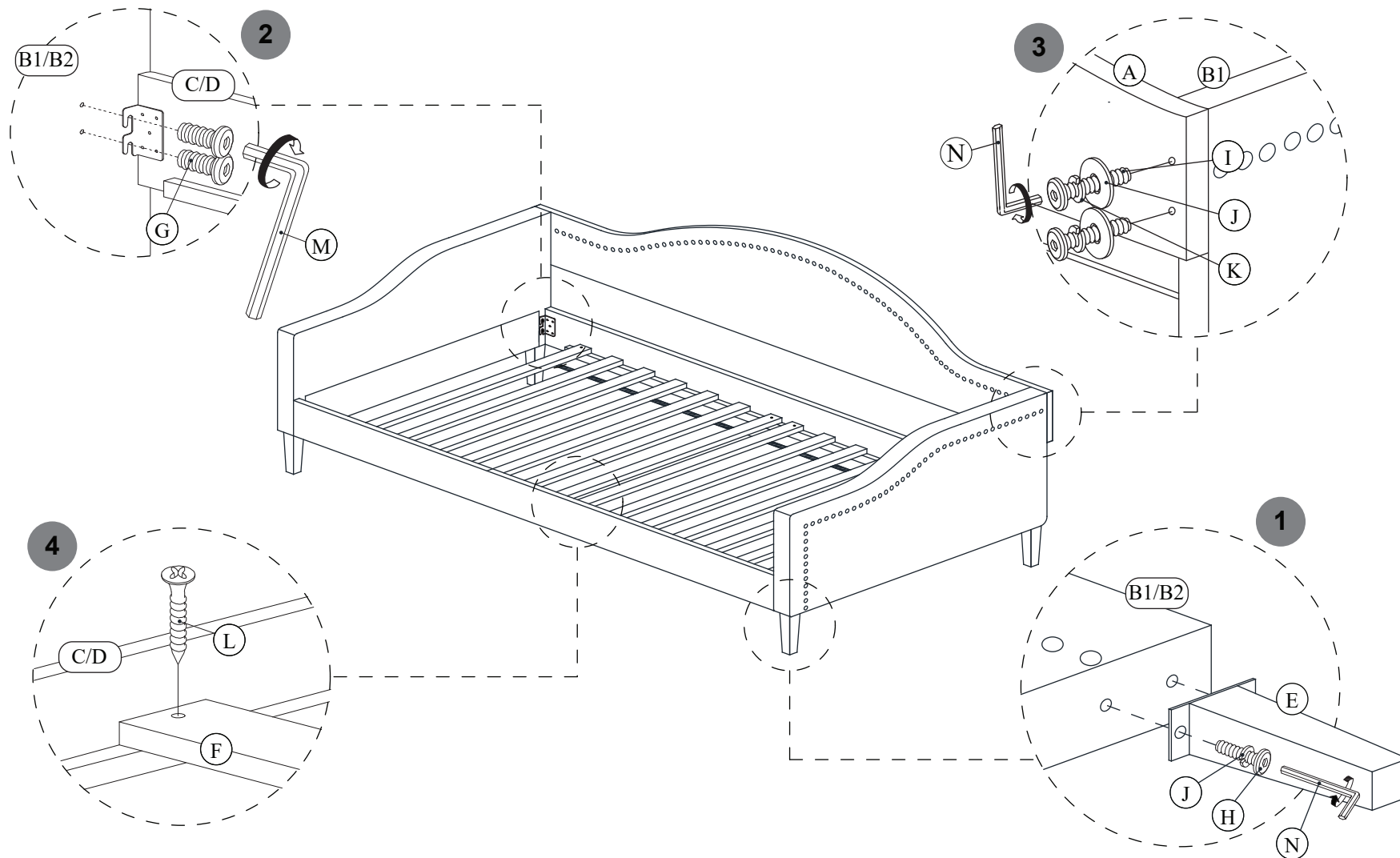
x1 Allen Wrench M4 x 100  
x1 Clé hexagonale M4 x 100  
x1 Llave Allen M4 x 100

\* Replaceable Part

**ASSEMBLY INSTRUCTIONS / NOTICE DE MONTAGE / INSTRUCCIONES DE MONTAJE**

ITEM NO. / ARTICLE NO. / ARTICULO NO :DS-D404-742

DESCRIPTION / LA DESCRIPTION / DESCRIPCIÓN : TWIN CAMELBACK DAYBED - LT GREY/LIT DE REPOS/DIVÁN

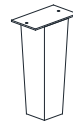
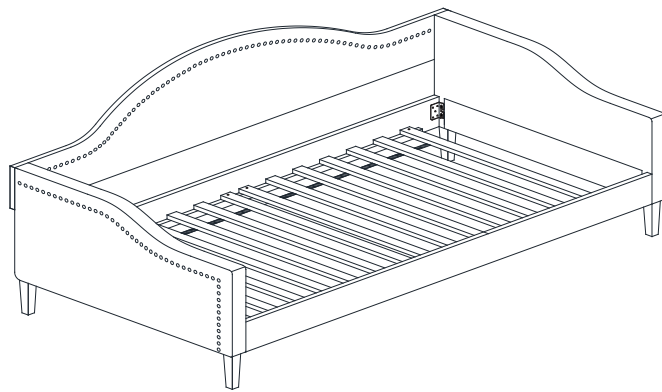




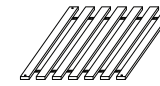
**REPLACEABLE PART / PARTIE REMPLACABLE / PARTE REEMPLAZABLE**

ITEM NO. / ARTICLE NO. / ARTICULO NO :DS-D404-742

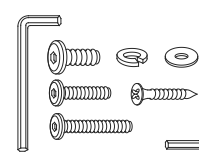
DESCRIPTION / LA DESCRIPTION / DESCRIPCIÓN : TWIN CAMELBACK DAYBED - LT GREY/LIT DE REPOS/DIVÁN



x4 RD404-742-LEG-Leg \*  
Jambes  
Piernas



x2 RD404-742-SLAT-Daybed Slat \*  
Lit de repos latte  
Diván Listón



x1 RD404-742-HWKIT-Hardware kit \*  
Liste des pièces de quincaillerie  
Lista del kit de materiales

\* Replaceable Part

## **Protect Your Wood or Laminate Flooring**

\*This statement applies to any floor without carpet.

If not careful, all furniture including upholstery and case pieces can scratch, scuff and even gouge floors. The recommendation is to have felt, rubber pads or area rugs under furniture on flooring without carpet.

### **Moving your furniture**

Pushing and dragging furniture over floors without carpet can lead to scratches and scuffs. Have someone help when moving the larger pieces of furniture by lifting, try using a dolly or moving pads.

### **Felt and rubber pads**

Applying furniture pads to the feet of furniture helps cushion contact points. Furniture pads can be found at local hardware stores. Felt pads slide easily across the floor, making them ideal for dining chairs and other pieces that move with use. Rubber pads will help furniture stay in place and are perfect for larger pieces, like sofas and loveseats.

### **Area rugs and rug pads**

Using an area rug under furniture is another way to protect your floor from scratches and scuff marks. A rug pad under the area rug will provide extra cushion and added protection.