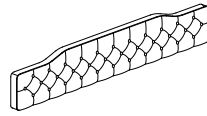
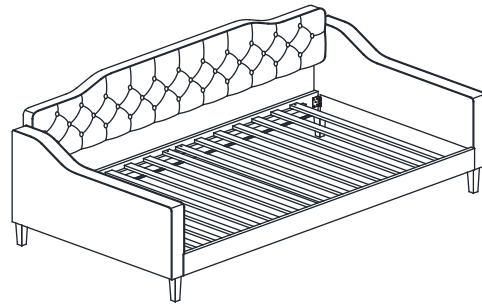




PARTS LIST / LISTE DES PIÈCES / LISTA DE PIEZAS

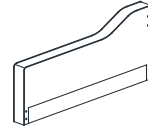
ITEM NO. / ARTICLE NO. / ARTICULO NO :DS-D405-742

DESCRIPTION / LA DESCRIPTION / DESCRIPCIÓN : TWIN BUTTON TUFTED DAYBED - LIGHT GREY/LIT DE REPOS/DIVÁN



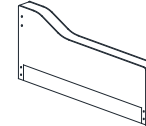
A

x1 Back Rest
x1 Dossier
x1 Espaldar



B1

x1 Left Arm Rest
x1 Accoudoir gauche
x1 Brazo izquierdo



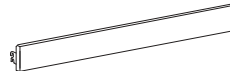
B2

x1 Right Arm Rest
x1 Accoudoir droit
x1 Brazo derecho



C

x1 Front Side Rail
x1 Avant Traverse
x1 Delantera Travesaño lateral



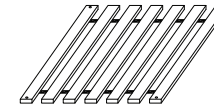
D

x1 Back Side Rail
x1 Arrière Traverse
x1 Trasera Travesaño lateral



E

x4 Leg
x4 Jambes
x4 Piernas



F

x2 Daybed Slat
x2 Lit de repos latte
x2 Diván Listón



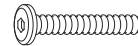
G

x8 Allen Bolt M8 x 20
x8 Vis à tête creuse hexagonale M8 x 20
x8 Perno Allen M8 x 20



H

x8 Allen Bolt M6 x 15
x8 Vis à tête creuse hexagonale M6 x 15
x8 Perno Allen M6 x 15



I

x4 Allen Bolt M6 x 50
x4 Vis à tête creuse hexagonale M6 x 50
x4 Perno Allen M6 x 50



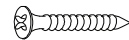
J

x12 Spring Washer
x12 Rondelle à ressort
x12 Arandela auto-bloquante



K

x4 Flat Washer
x4 Rondelle plate
x4 Arandela plana



L

x8 Screw M4 x 32
x8 Vis M4 x 32
x8 Tornillo M4 x 32



M

x1 Allen Wrench M5 x 65
x1 Clé hexagonale M5 x 65
x1 Llave Allen M5 x 65



N

x1 Allen Wrench M4 x 100
x1 Clé hexagonale M4 x 100
x1 Llave Allen M4 x 100

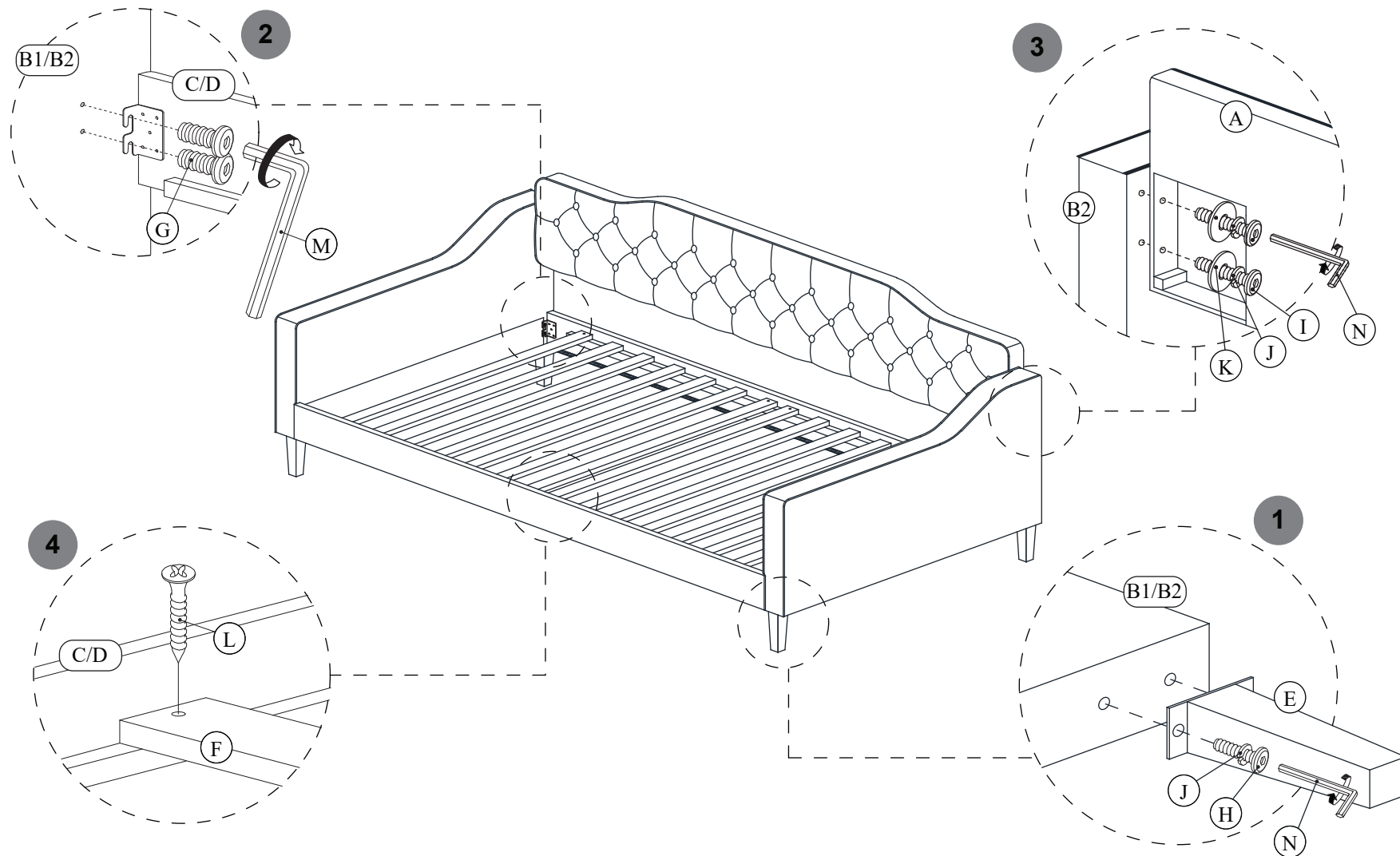
* Replaceable Part



ASSEMBLY INSTRUCTIONS / NOTICE DE MONTAGE / INSTRUCCIONES DE MONTAJE

ITEM NO. / ARTICLE NO. / ARTICULO NO :DS-D405-742

DESCRIPTION / LA DESCRIPTION / DESCRIPCIÓN : TWIN BUTTON TUFTED DAYBED - LIGHT GREY/LIT DE REPOS/DIVÁN

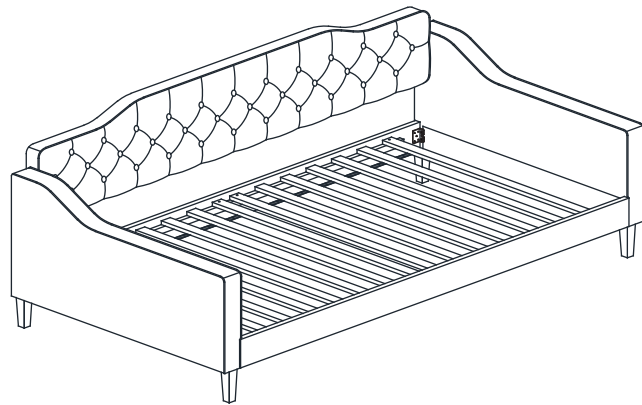




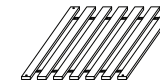
REPLACEABLE PART / PARTIE REMPLACABLE / PARTE REEMPLAZABLE

ITEM NO. / ARTICLE NO. / ARTICULO NO :DS-D405-742

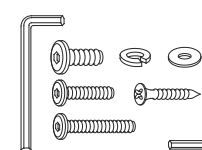
DESCRIPTION / LA DESCRIPTION / DESCRIPCIÓN : TWIN BUTTON TUFTED DAYBED - LIGHT GREY/LIT DE REPOS/DIVÁN



x4 RD405-742-LEG-Leg *
Jambes
Piernas



x2 RD405-742-SLAT-Daybed Slat *
Lit de repos latte
Diván Listón



x1 RD405-742-HWKIT-Hardware kit *
Liste des pièces de quincaillerie
Lista del kit de materiales

* Replaceable Part

Protect Your Wood or Laminate Flooring

*This statement applies to any floor without carpet.

If not careful, all furniture including upholstery and case pieces can scratch, scuff and even gouge floors. The recommendation is to have felt, rubber pads or area rugs under furniture on flooring without carpet.

Moving your furniture

Pushing and dragging furniture over floors without carpet can lead to scratches and scuffs. Have someone help when moving the larger pieces of furniture by lifting, try using a dolly or moving pads.

Felt and rubber pads

Applying furniture pads to the feet of furniture helps cushion contact points. Furniture pads can be found at local hardware stores. Felt pads slide easily across the floor, making them ideal for dining chairs and other pieces that move with use. Rubber pads will help furniture stay in place and are perfect for larger pieces, like sofas and loveseats.

Area rugs and rug pads

Using an area rug under furniture is another way to protect your floor from scratches and scuff marks. A rug pad under the area rug will provide extra cushion and added protection.