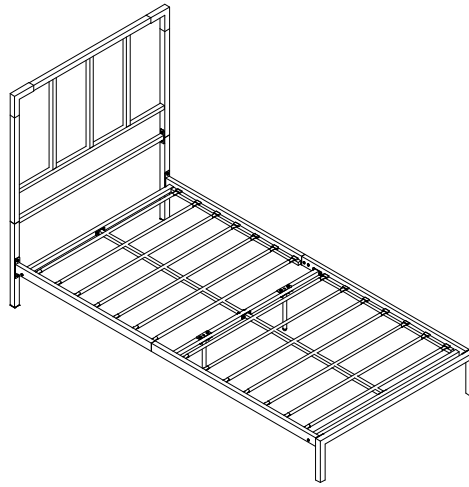




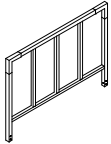
**PARTS LIST / @GH9`89G`D-ä79G#@GH5`89`D-9N5G**

ITEM NO. / ARTICLE NO. / ARTICULO NO. :DS-D526-288

DESCRIPTION / LA DESCRIPTION / DESCRIPCIÓN : Twin Metal Bed-Black and Chrome  
Lit simple  
Cama individual



**A**



x1 Headboard  
x1 Tête de lit  
x1 Cabecera

**B**



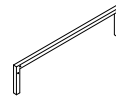
x1 HB Left Leg  
x1 Patte de la tête de lit gauche  
x1 Pata de cabecera izquierda

**C**



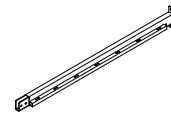
x1 HB Right Leg  
x1 Pattes de la tête de lit droit  
x1 Patas de cabecera derecha

**D**



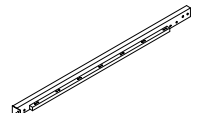
x1 Footboard  
x1 Pied de lit  
x1 Pie de cama

**E**



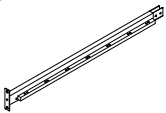
x1 Side Rail  
x1 Traverse  
x1 Travesano lateral

**F**



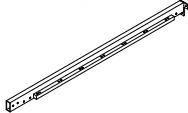
x1 Side Rail  
x1 Traverse  
x1 Travesano lateral

**G**



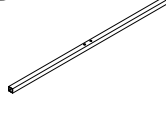
x1 Side Rail  
x1 Traverse  
x1 Travesano lateral

**H**



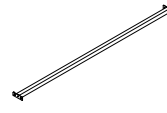
x1 Side Rail  
x1 Traverse  
x1 Travesano lateral

**I**



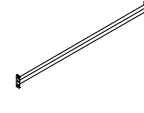
x2 End Slat  
x2 Latte d'extrémité  
x2 Listones final

**J**



x1 Top Vertical Rail  
x1 Traverse Supérieure  
x1 Travesano superior

**K**



x1 Safety Rail  
x1 Garde-corps  
x1 Baranda de seguridad

**L**



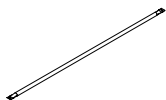
x2 Center Supports  
x2 Supports centraux  
x2 Soportes centrales

**M**



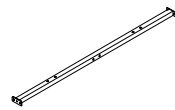
x2 Bracket  
x2 Support  
x2 Soporte

**N**



x14 Slats  
x14 Lattes  
x14 Listones

**O**



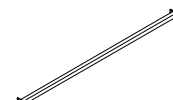
x1 Center Rail  
x1 Traverse Centrale  
x1 Travesano Central

**P**



x28 Plug  
x28 Cubiertas de plástico  
x28 Bouchon de plastique

**Q**



x1 Bottom Vertical Rail  
x1 Traverse Inférieur  
x1 Travesano inferior

**R**



x32 Allen Bolt 1/4" X 20mm  
x32 Vis à tête creuse  
hexagonale 1/4" X 20mm  
x32 Perno Allen 1/4" X 20mm

**S**



x10 Allen Bolt 1/4" X 40mm  
x10 Vis à tête creuse  
hexagonale 1/4" X 40mm  
x10 Perno Allen 1/4" X 40mm

**T**



x6 Flat Washer  
x6 Rondelle plate  
x6 Arandela plana

**U**



x6 Hex Nut  
x6 Écrou hexagonal  
x6 Tuerca hexagon

**V**



x1 Allen Wrench M4  
x1 Clé hexagonale M4  
x1 Llave Allen M4

**W**



x1 Open Wrench  
x1 Clé à fourche  
x1 Llave de boca

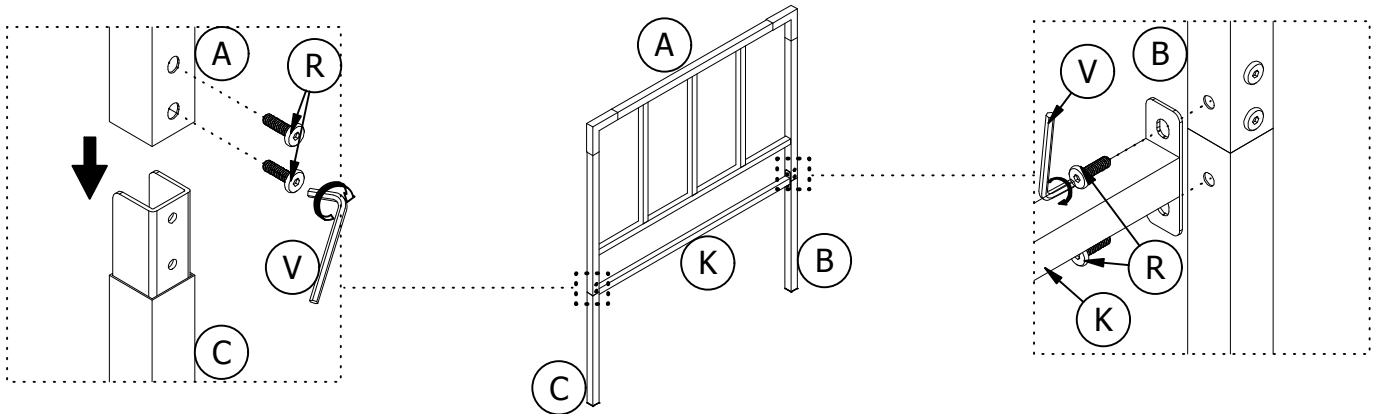
\* Replaceable Part



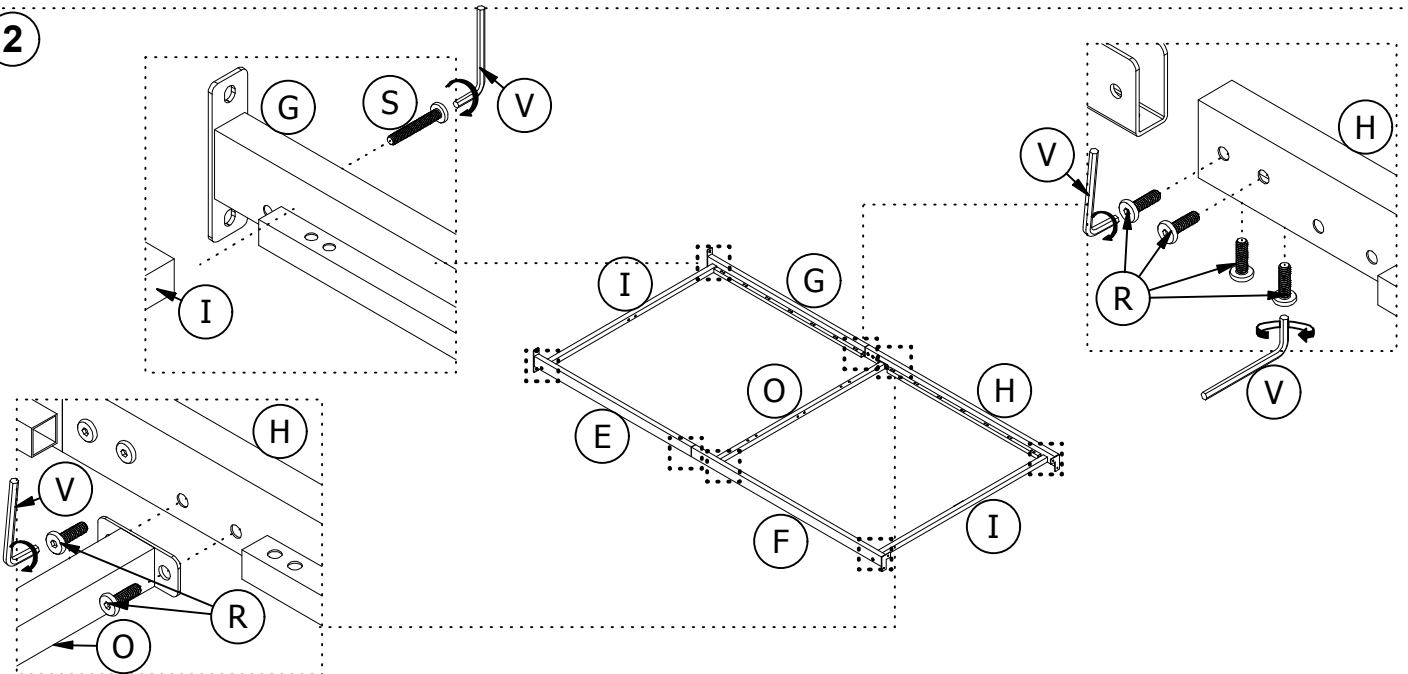
5 GG9A6 @M-BGHI 7HCB#BCH79'89'ACBH5; 9'#-BGHI 77-CB9G'89'ACBH5>9  
ITEM NO. / ARTICLE NO. / ARTICULO NO. :DS-D526-288

DESCRIPTION / LA DESCRIPTION / DESCRIPCIÓN : Twin Metal Bed-Black and Chrome  
Lit simple  
Cama individual

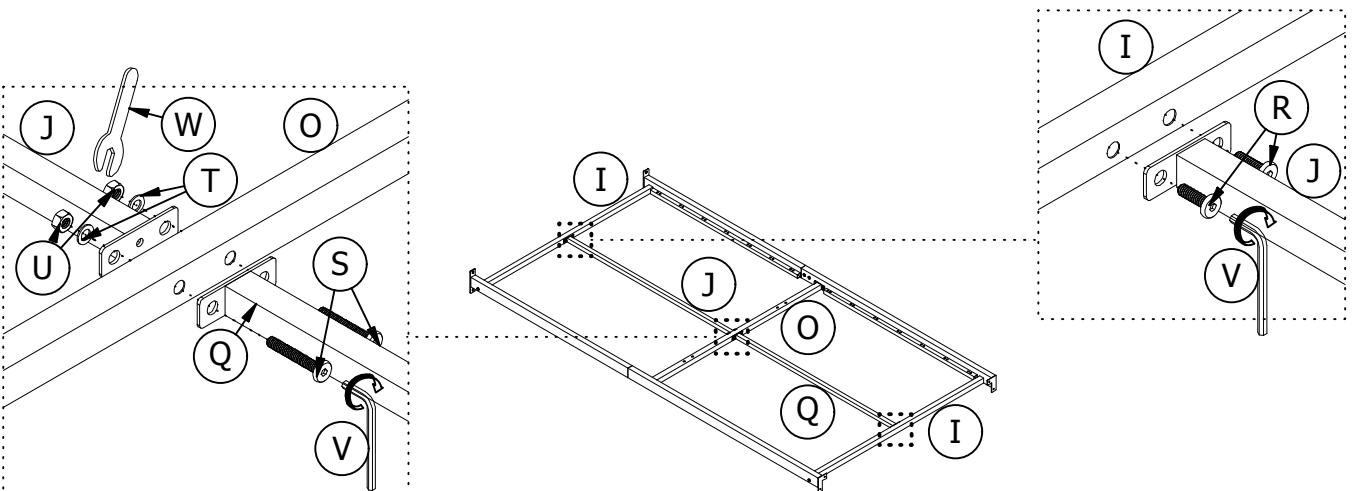
1



2



3

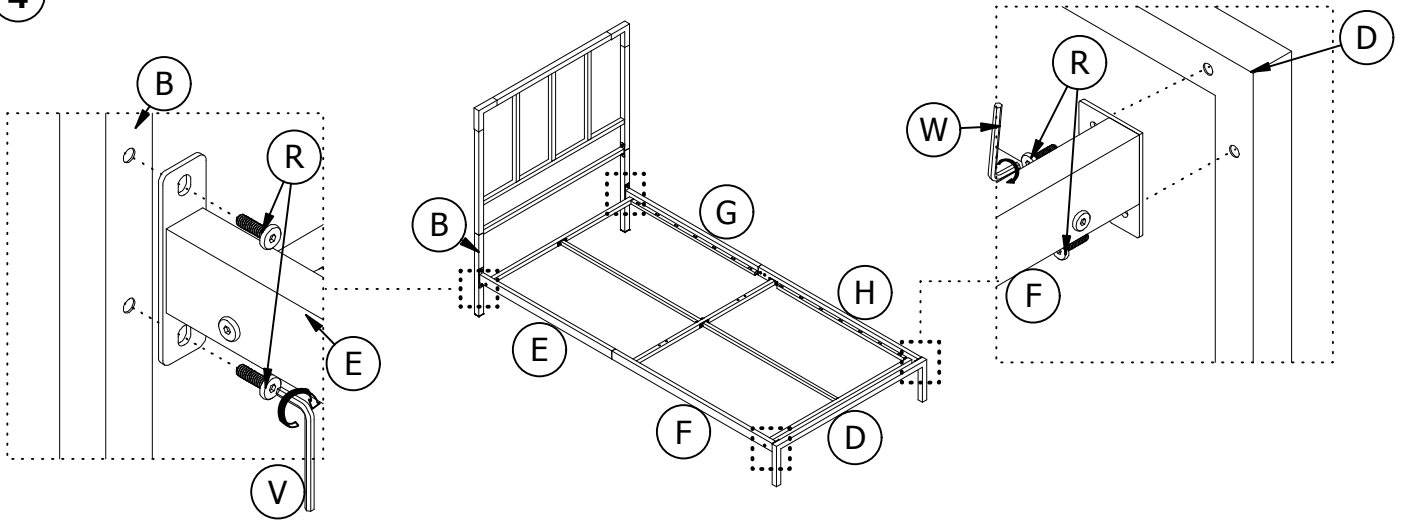




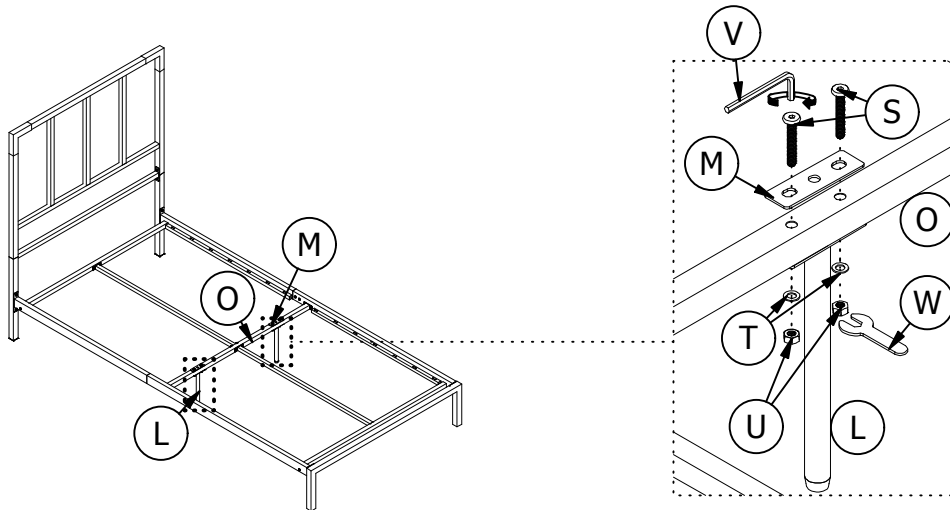
5 GG9A6 @M-BGHI 7H-CB #BCH79`89`ACBH5 ; 9 #BGHI 77-CB9G`89`ACBH5 >9  
ITEM NO. / ARTICLE NO. / ARTICULO NO. :DS-D526-288

DESCRIPTION / LA DESCRIPTION / DESCRIPCIÓN : Twin Metal Bed-Black and Chrome  
Lit simple  
Cama individual

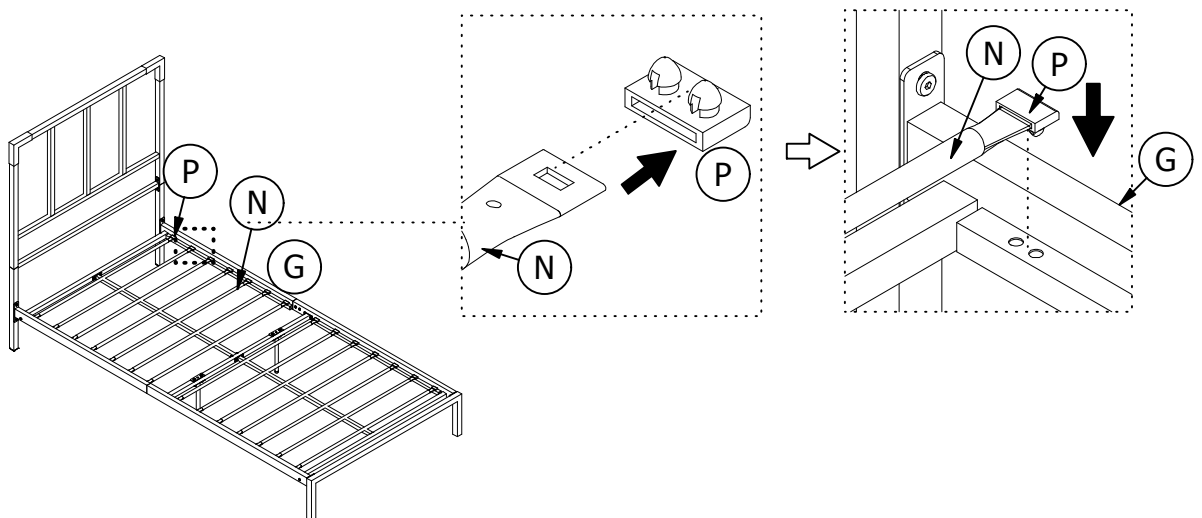
4



5



6

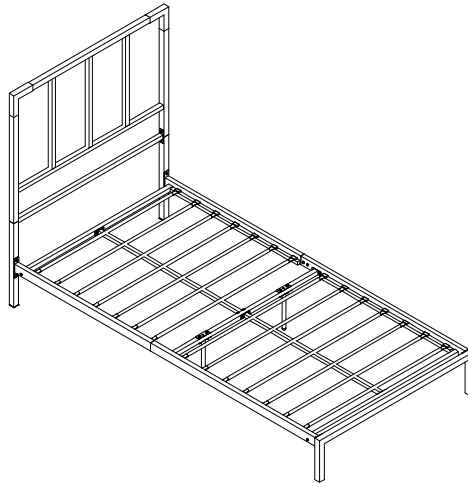




# REPLACEABLE PART / PARTIE REMPLACABLE / PARTE REEMPLAZABLE

ITEM NO. / ARTICLE NO. / ARTICULO NO. :DS-D526-288

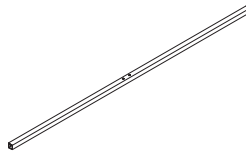
DESCRIPTION / LA DESCRIPTION / DESCRIPCIÓN : Twin Metal Bed-Black and Chrome  
Lit simple  
Cama individual



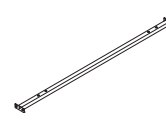
x 1 RD526-290-LLEG\*  
x 1 HB Left Leg  
x 1 Patte de la tête de lit gauche  
x 1 Pata de cabecera izquierda



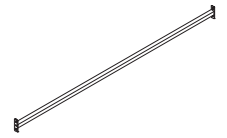
x 1 RD526-290-RLEG\*  
x 1 HB Right Leg  
x 1 Patte de la tête de lit droit  
x 1 Pata de cabecera derecha



x 2 RD524-288-ESLAT\*  
x 2 End Slat  
x 2 Latte d'extrémité  
x 2 Listones final



x 1 RD524-288-TVRAIL\*  
x 1 Top Vertical Rail  
x 1 Traverse Supérieure  
x 1 Travesano superior



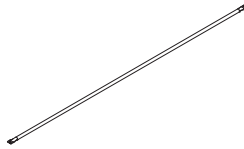
x 1 RD526-288-RAIL\*  
x 1 Safety Rail  
x 1 Garde-corps  
x 1 Baranda de seguridad



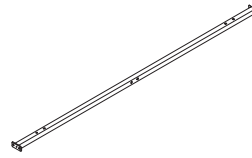
x 2 RD524-290-CESUP\*  
x 2 Center Supports  
x 2 Supports centraux  
x 2 Soportes centrales



x 2 RD524-290-BRACKET\*  
x 2 Bracket  
x 2 Support  
x 2 Soporte



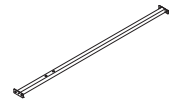
x 14 RD524-288-SLAT\*  
x 14 Slats  
x 14 Lattes  
x 14 Listones



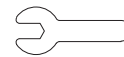
x 1 RD524-288-CRAIL\*  
x 1 Center Rail  
x 1 Traverse Centrale  
x 1 Travesano Central



x 28 RD524-290-PLUG\*  
x 28 Plug  
x 28 Cubiertas de plástico  
x 28 Bouchon de plastique



x 1 RD524-288-OVRAIL\*  
x 1 Bottom Vertical Rail  
x 1 Traverse Inférieur  
x 1 Travesano Inferior



x 1 RD526-288-HWKIT\*  
x 1 Hardware Kit  
x 1 Liste des pièces de quincaillerie  
x 1 Lista del kit de materiales

\* Replaceable Part

## **Protect Your Wood or Laminate Flooring**

\*This statement applies to any floor without carpet.

If not careful, all furniture including upholstery and case pieces can scratch, scuff and even gouge floors. The recommendation is to have felt, rubber pads or area rugs under furniture on flooring without carpet.

### **Moving your furniture**

Pushing and dragging furniture over floors without carpet can lead to scratches and scuffs. Have someone help when moving the larger pieces of furniture by lifting, try using a dolly or moving pads.

### **Felt and rubber pads**

Applying furniture pads to the feet of furniture helps cushion contact points. Furniture pads can be found at local hardware stores. Felt pads slide easily across the floor, making them ideal for dining chairs and other pieces that move with use. Rubber pads will help furniture stay in place and are perfect for larger pieces, like sofas and loveseats.

### **Area rugs and rug pads**

Using an area rug under furniture is another way to protect your floor from scratches and scuff marks. A rug pad under the area rug will provide extra cushion and added protection.