

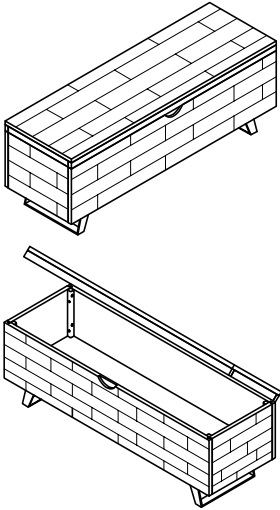
ASSEMBLY INSTRUCTION

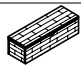

10 421TR - TRUNK

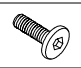


Thank you for purchasing this quality product. Be sure to check all packing material carefully for small parts, which may have come loose inside carton during shipment. Identify and count all parts and compare with the parts list below.

ASSEMBLY INSTRUCTION :

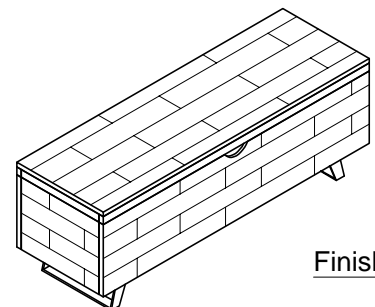
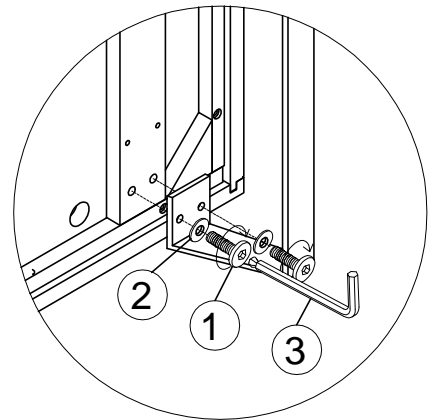
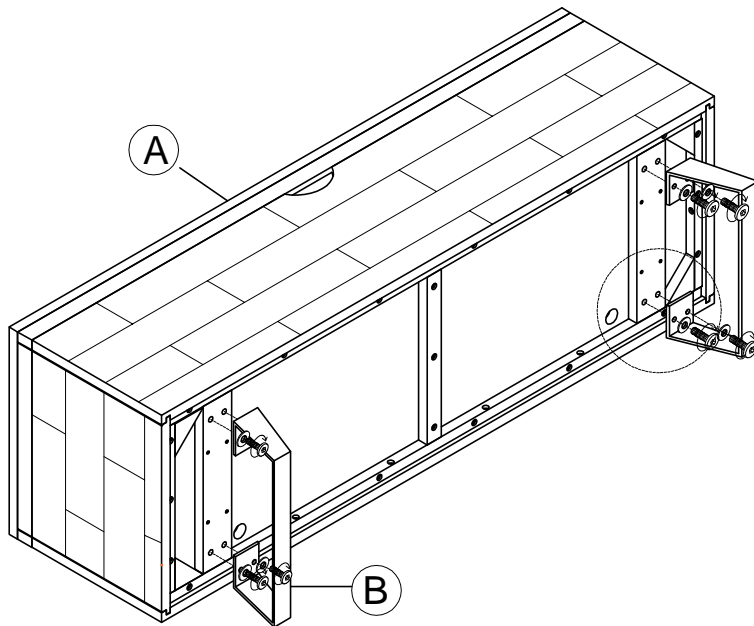
1. Remove hardware from box and sort by size.
2. Please check to see that all hardware and parts are present prior start of assembly.
3. Please follow attached instruction in the same sequence as numbered to assure fast and easy assembly



No.	Component	Q'ty
Ⓐ	 Trunk	1
Ⓑ	 Leg	2

No.	Hardware list	Q'ty
①	 Bolts M6x20	8
②	 Flat washers Ø10x18	8
③	 Allen Wrench	1

Step 1



Finish