

# ASSEMBLY INSTRUCTION

MADE IN MALAYSIA

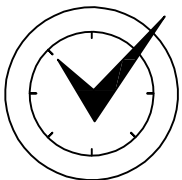
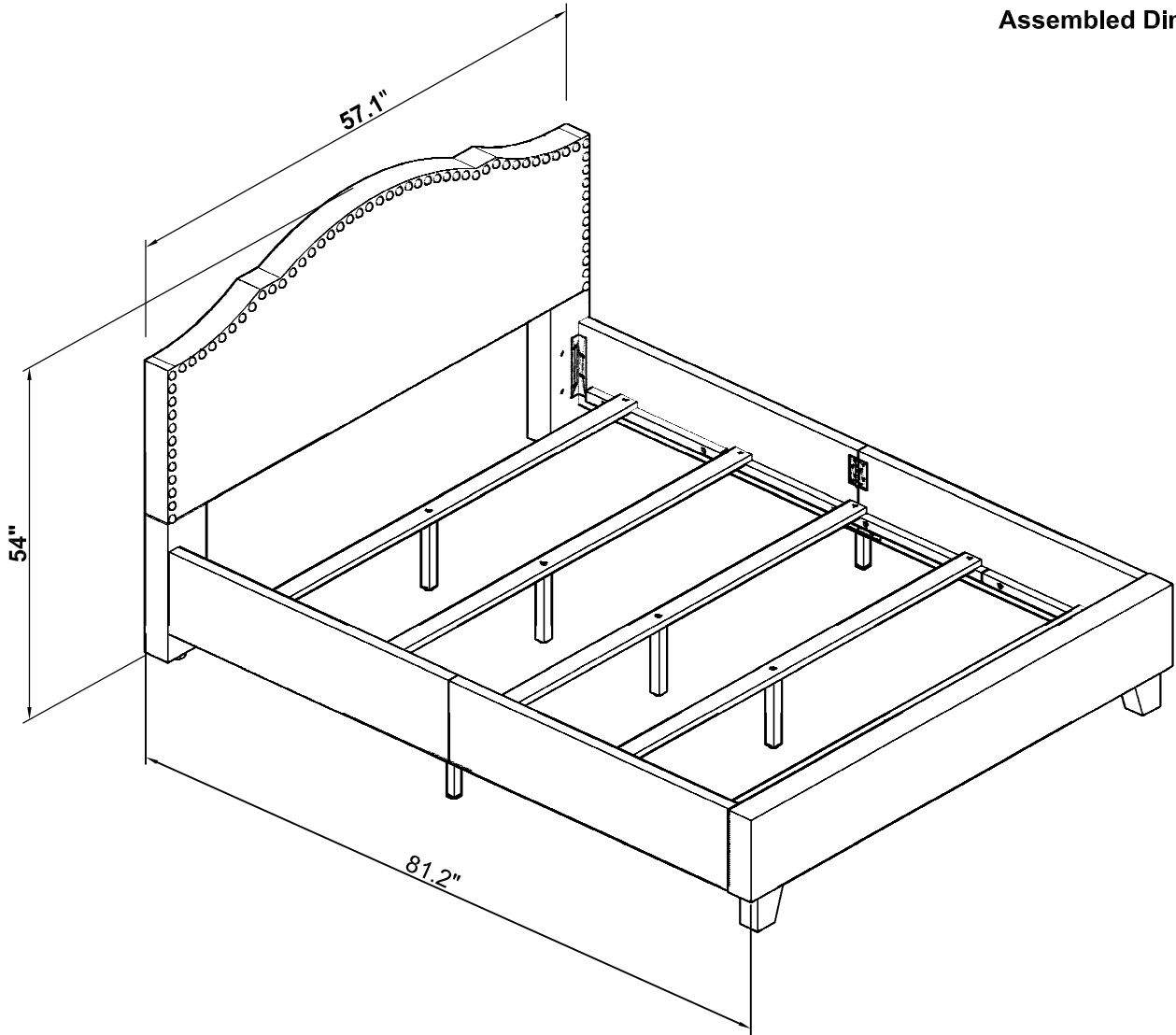
B131-09

Thank you for purchasing this quality product. Be sure to check all packing materials carefully for small parts that may have come loose inside the carton during shipment.

**Before you start assembly:** Please read all instructions carefully before beginning the assembly process. It is recommended that 2 people work together during assembly to prevent personal injury and to ensure that heavy or cumbersome parts are not damaged during the process.

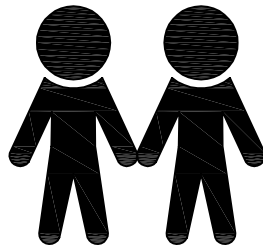
**CAUTION:** For your safety, this product requires two people to lift.

## Assembled Dimensions

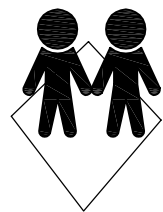


10 minute

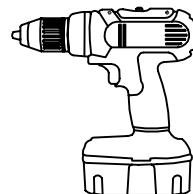
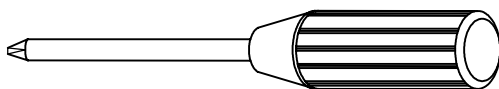
APPROXIMATE ASSEMBLY TIME



2 PERSON



REQUIRED ASSEMBLY SPACE

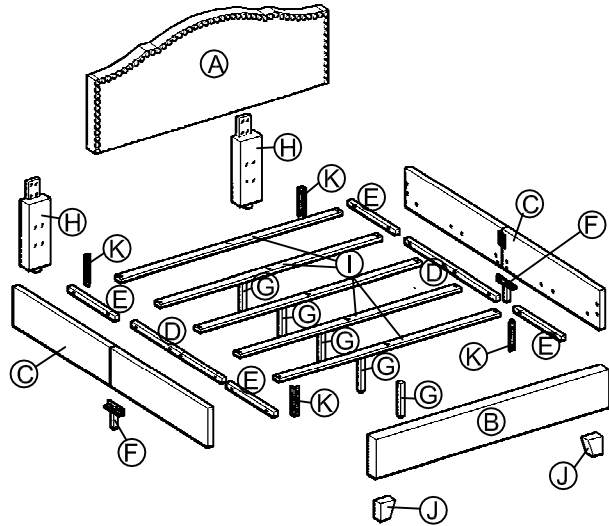


REQUIRED ASSEMBLY TOOLS

NOT PROVIDED

**PART LIST**

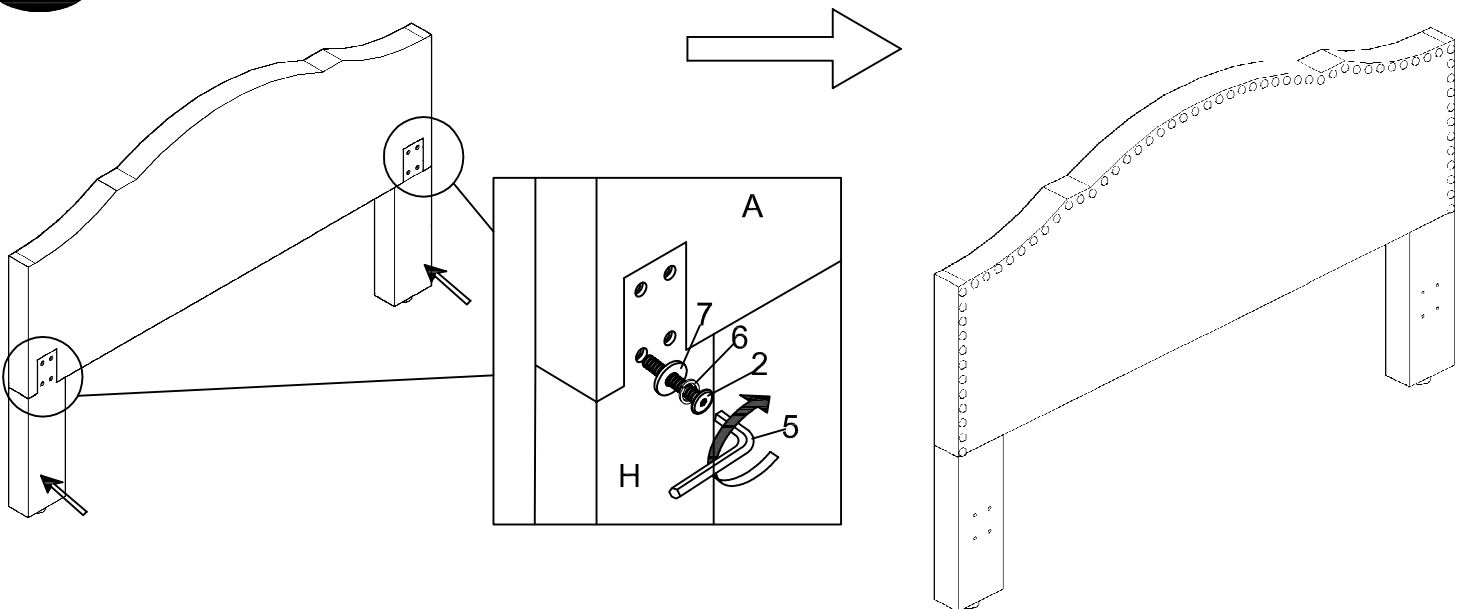
NO	PARTLIST	QTY
A	HEADBOARD	1 PC
B	FOOTBOARD	1 PC
C	SIDERAIL	2 PCS
D	SIDE SLAT -A	2 PCS
E	SIDE SLAT -B	4 PCS
F	SIDERAIL SUPPORT LEG	2 PCS
G	CENTER SUPPORT LEG	5 PCS
H	HEADBOARD LEG	2 PCS
I	SLAT	5 PCS
J	FOOTBOARD LEG	2 PCS
K	METAL CONNECTOR	4 PCS



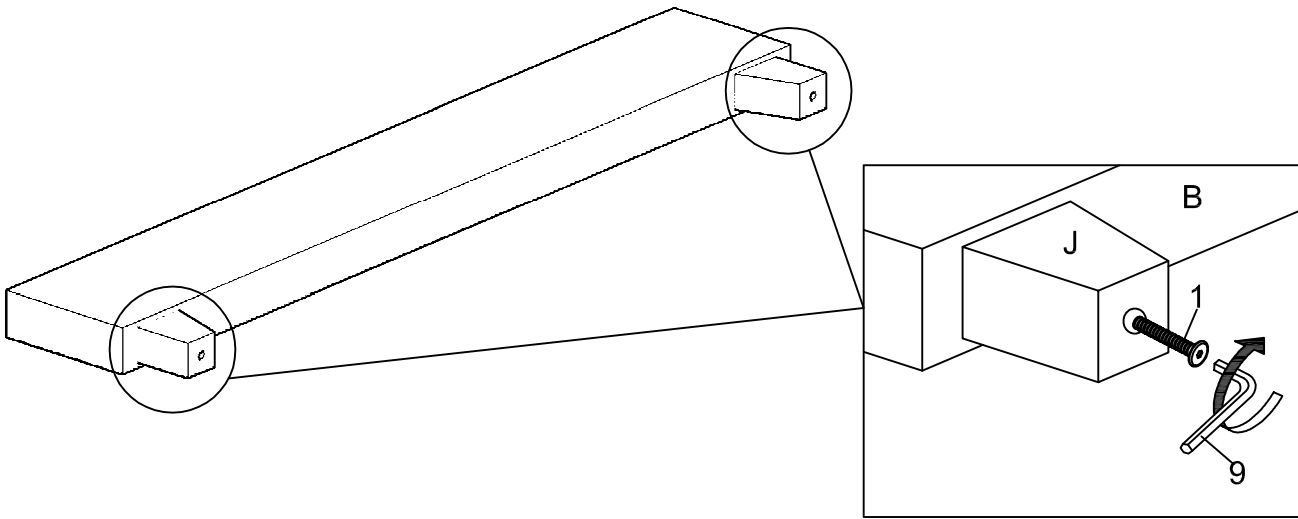
**HARDWARE LIST**

1		M6 X 100mm FLAT HEAD HEX BOX	x2	8		CSK SCREW M4 X 25mm	x10
2		M8 X 50mm FLAT HEAD HEX BOX	x8	9(i)		STRAIT ALLEN KEY (for power tool)	x 1
3		M8 X 45mm FLAT HEAD HEX BOX	x16	9(ii)		M4 ALLEN KEY LONG	x 1
4		M8 X 20mm FLAT HEAD HEX BOX	x20				
5		M5 ALLEN KEY	x1				
6		5/6" SPRING WASHER	x24				
7		2mm FLAT WASHER	x44				

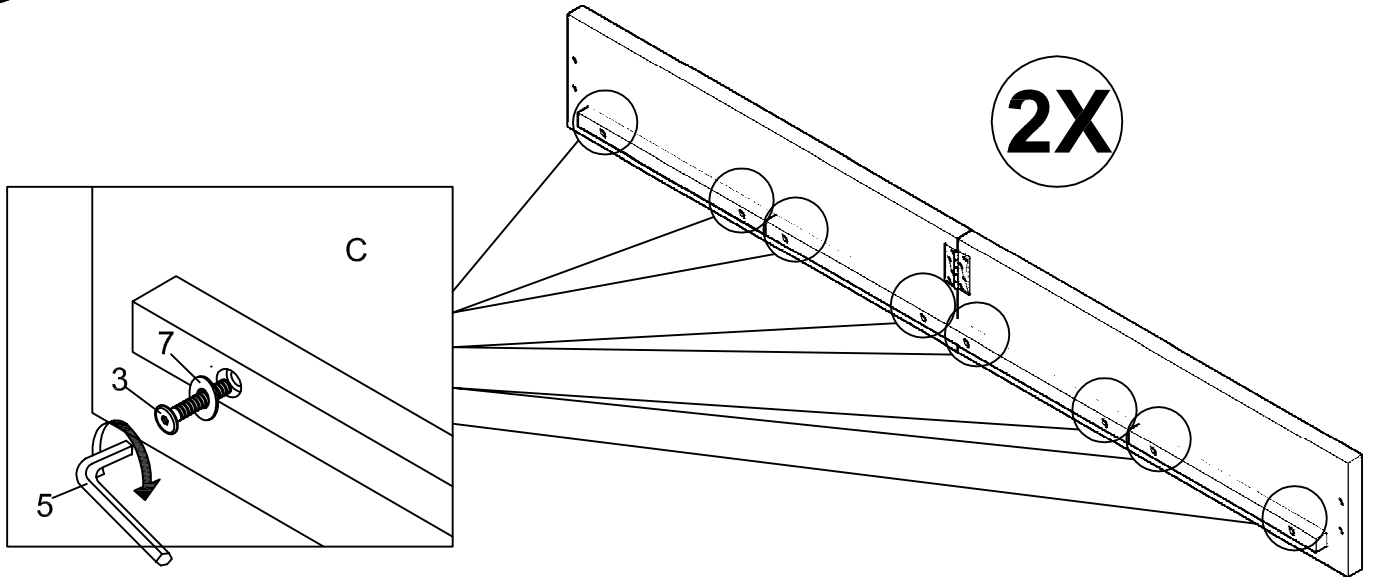
**STEP1**



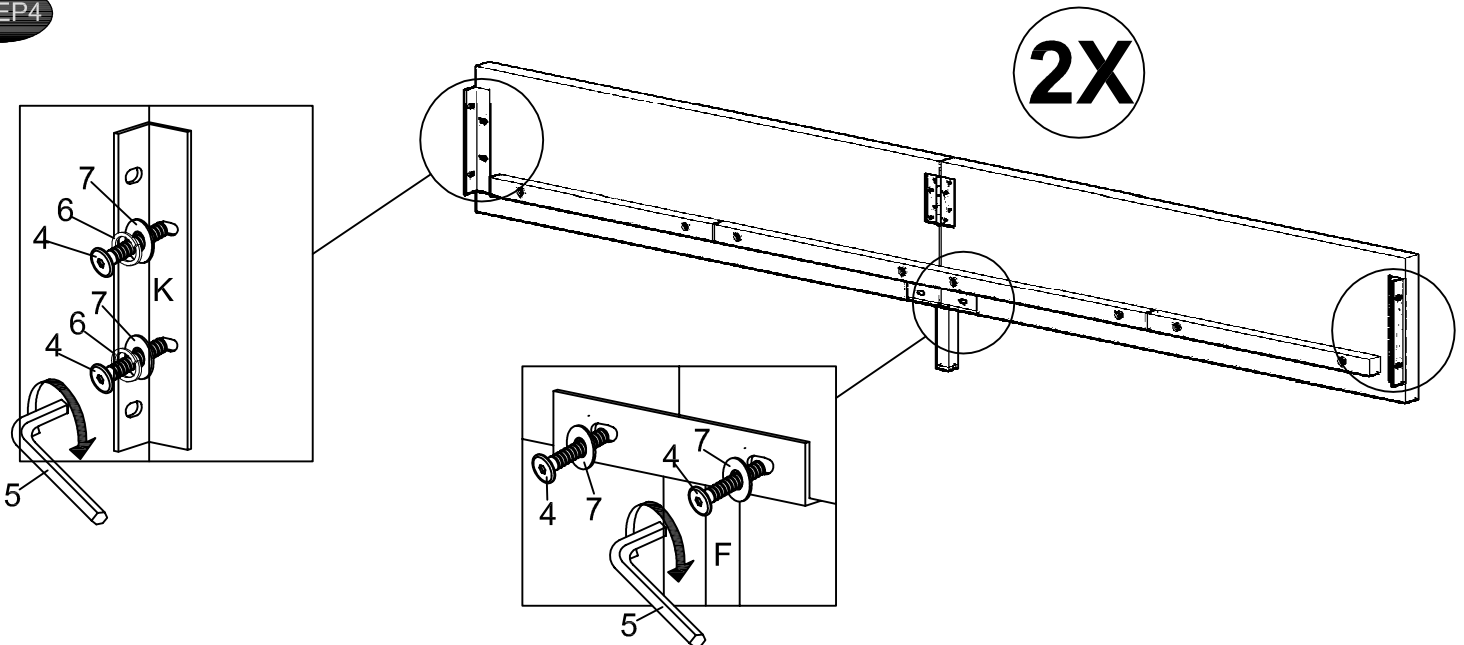
STEP2



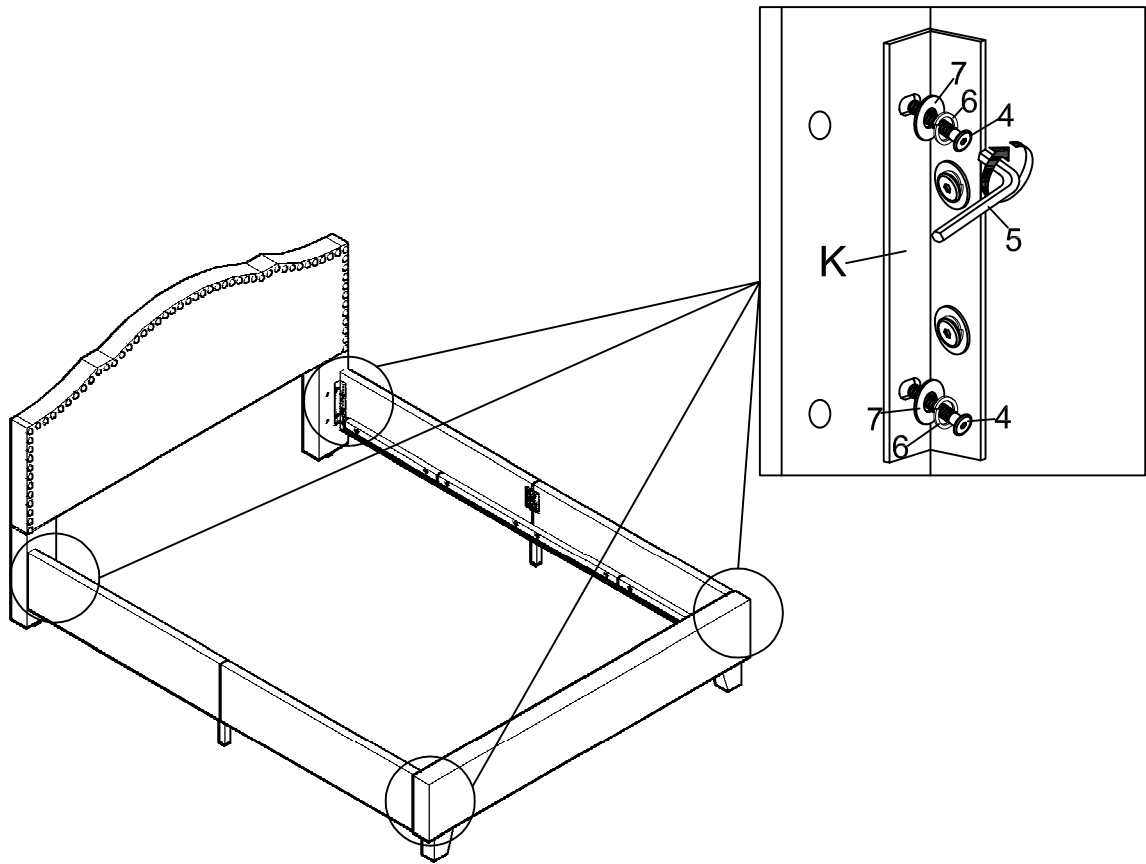
STEP3



STEP4



STEP 5



STEP 6

