



Manufactured by LEGC for ROOMS TO GO

ASSEMBLY INSTRUCTIONS

LEGC 5413-4305 QN POSTER HDBD - SKU: 33354135

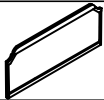

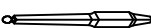
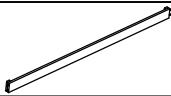







LEGC 5413-4315 QN POSTER FTBD - SKU: 33754133






LEGC 5413-4911 QN/KG POSTER BED SIDE RAILS - SKU: 33954137

Version 1: 15.10.2025

Caution: Please read the instructions thoroughly before unpacking and assembly. Sharp, exposed staple tips can cause injury. Therefore, for your protection, please remove any exposed staples used in the packaging.

1. We recommend that you should assemble this product with the assistance of another person; this will make assembly easier, and will help eliminate damage to the product or injury to persons during assembly.
2. Be sure to check all packing materials carefully for small parts that may have come loose inside the carton during shipment.
3. Please do not over tighten screws or bolts.
4. Please put all parts on a non-abrasive floor before assembly, and follow the assembly steps to assemble your newly purchased product correctly and efficiently.

NO.	PART LIST		Q'TY
A	HEADBOARD		1 Pc
B	HEADBOARD POST (LEFT)		1 Pc
C	HEADBOARD POST (RIGHT)		1 Pc
D	STRETCHER		1 Pc
E	PANEL FOOTBOARD		1 Pc
F	FOOTBOARD POST (LEFT)		1 Pc
G	FOOTBOARD POST (RIGHT)		1 Pc
H	SIDE RAIL		2 Pcs
I	SLAT RAIL		5 Pcs
J	LONG SUPPORT LEG (leveler)		5 Pcs
K	SHORT SUPPORT LEG		5 Pcs

NO.	HARDWARE LIST		Q'TY
<i>Pre-installed 1</i>	Bolt 5/16"-18*2 1/4" <i>Pre-installed</i>		10 Pcs
	Spring Washer 5/16" <i>Pre-installed</i>		10 Pcs
	Flat Washer 5/16"*19mm <i>Pre-installed</i>		10 Pcs
	Threaded Washer 5/16"-18*19mm <i>Pre-installed</i>		10 Pcs
<i>Pre-installed 2</i>	Bolt 5/16"-18*1 3/4" <i>Pre-installed</i>		2 Pcs
	Spring Washer 5/16" <i>Pre-installed</i>		2 Pcs
	Flat Washer 5/16"*19mm <i>Pre-installed</i>		2 Pcs
	Threaded Washer 5/16"-18*19mm <i>Pre-installed</i>		2 Pcs
<i>Pre-installed 3</i>	Bolt 5/16"-18* 3/4" <i>Pre-installed</i>		8 Pcs
	Spring Washer 5/16" <i>Pre-installed</i>		8 Pcs
	Flat Washer 5/16"*19mm <i>Pre-installed</i>		8 Pcs
4	Screw #8*1 1/4"		10 Pcs
5	Allen Key <i>IPC IN BOX QN POSTER HDBD</i> <i>IPC IN BOX QN POSTER FTBD</i>		2 Pcs



Manufactured by LEGC for ROOMS TO GO

ASSEMBLY INSTRUCTIONS

LEGC 5413-4305 QN POSTER HDBD - SKU: 33354135

LEGC 5413-4315 QN POSTER FTBD - SKU: 33754133

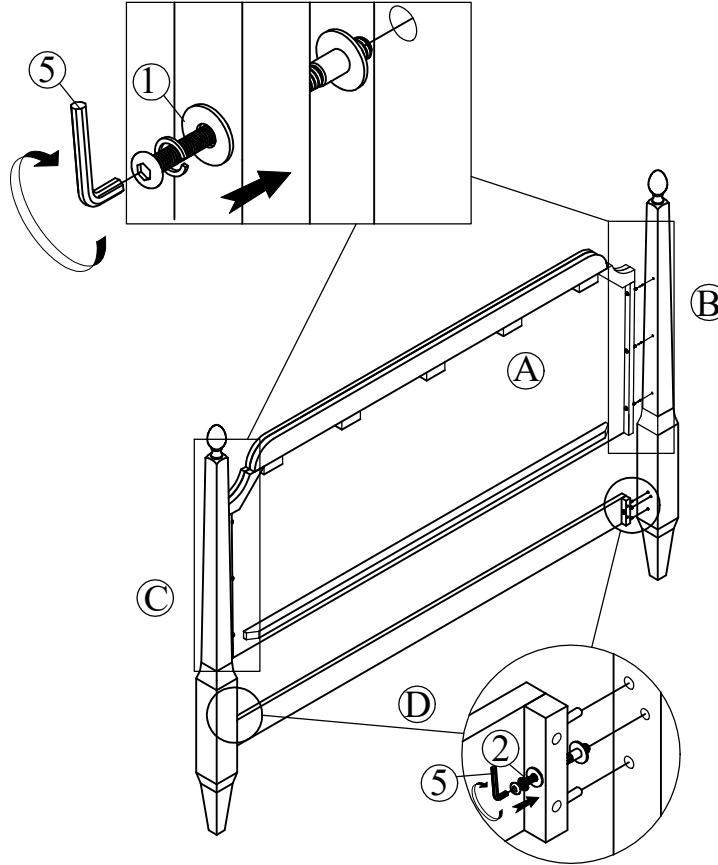
LEGC 5413-4911 QN/KG POSTER BED SIDE RAILS - SKU: 33954137

Version 1: 15.10.2025

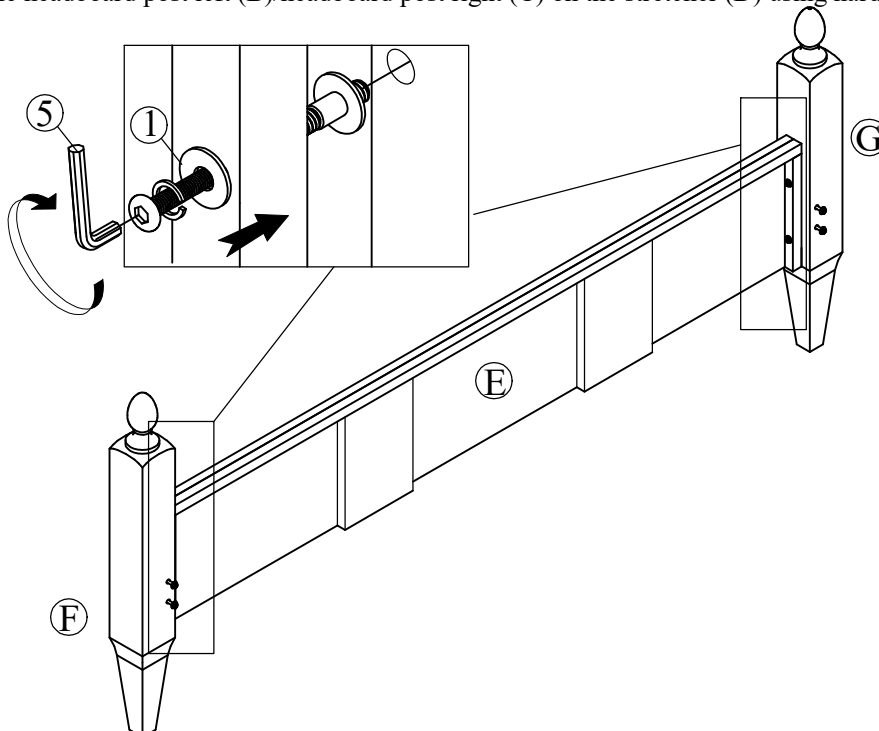
STEP 1: Lay out all parts and hardware on a clean protective surface to protect the furniture and floor during assembly.

Make sure the quantity of each is correct and the feet are free of stain, staples, screws and nail.

STEP 2: Assemble headboard post left (B)/ headboard post right (C) on the headboard (A) using hardware (1,5) as shown.



STEP 3: Assemble headboard post left (B)/headboard post right (C) on the stretcher (D) using hardware (2,5) as shown.



STEP 4: Assemble footboard post left (F)/headboard post right (G) on the panel footboard (E) using hardware (1,5) as shown.

HARDWARE PACK LOCATION LEGC 5413-4105 QN POSTER HDBD - SKU: 33354135

HARDWARE PACK LOCATION LEGC 5413-4315 QN POSTER FTBD- SKU: 33754133



Manufactured by LEGC for ROOMS TO GO

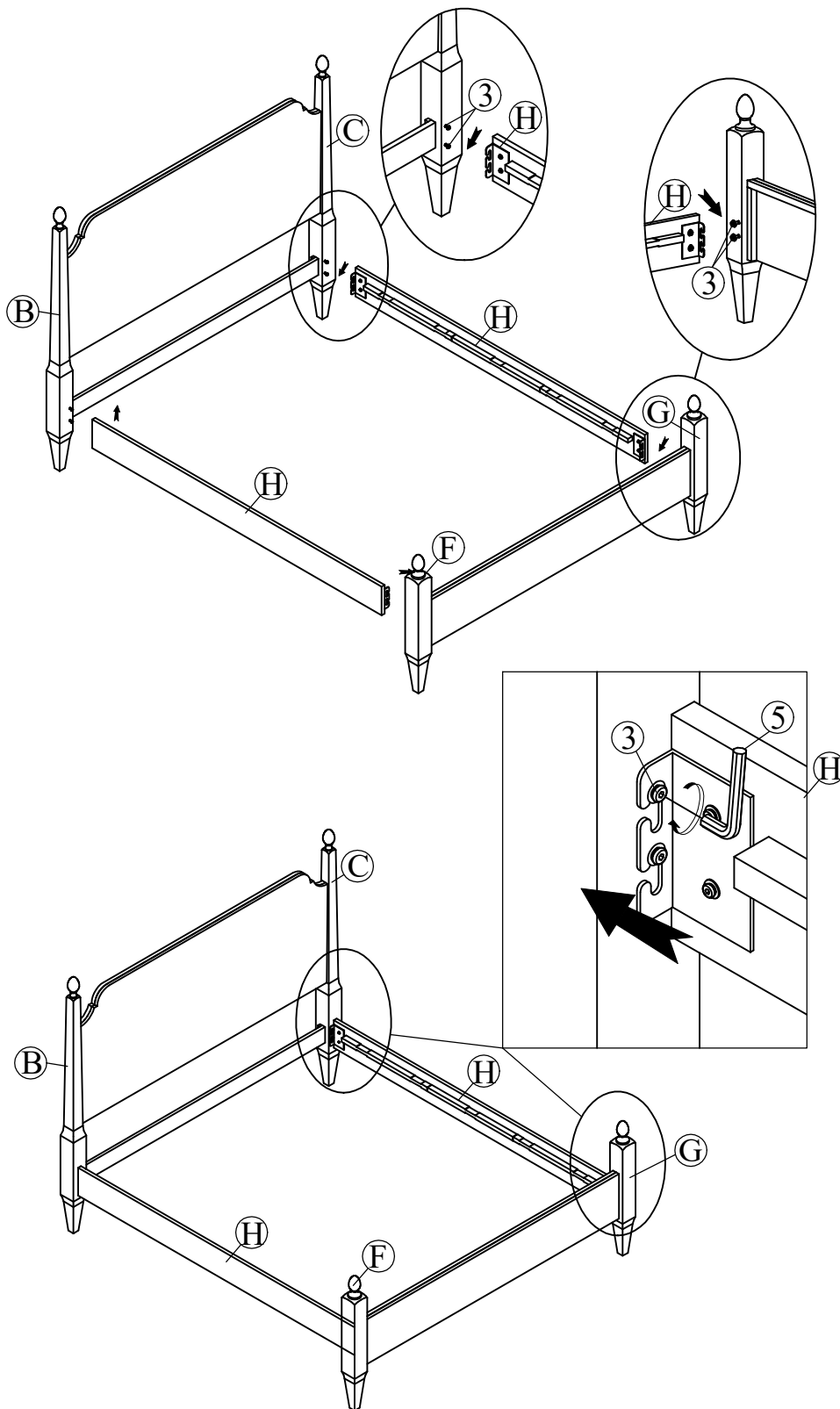
ASSEMBLY INSTRUCTIONS

LEGC 5413-4305 QN POSTER HDBD - SKU: 33354135

LEGC 5413-4315 QN POSTER FTBD - SKU: 33754133

LEGC 5413-4911 QN/KG POSTER BED SIDE RAILS - SKU: 33954137

Version 1: 15.10.2025



STEP 5: Assemble Side rail (H) in Headboard post left, Headboard post right (B,C) using hardware (3,5) as shown, and assembling Panel footboard (E) is similar. Do this for the left and right sides of the bed.

HARDWARE PACK LOCATION LEGC 5413-4105 QN POSTER HDBD - SKU: 33354135

HARDWARE PACK LOCATION LEGC 5413-4315 QN POSTER FTBD- SKU: 33754133



Manufactured by LEGC for ROOMS TO GO

ASSEMBLY INSTRUCTIONS

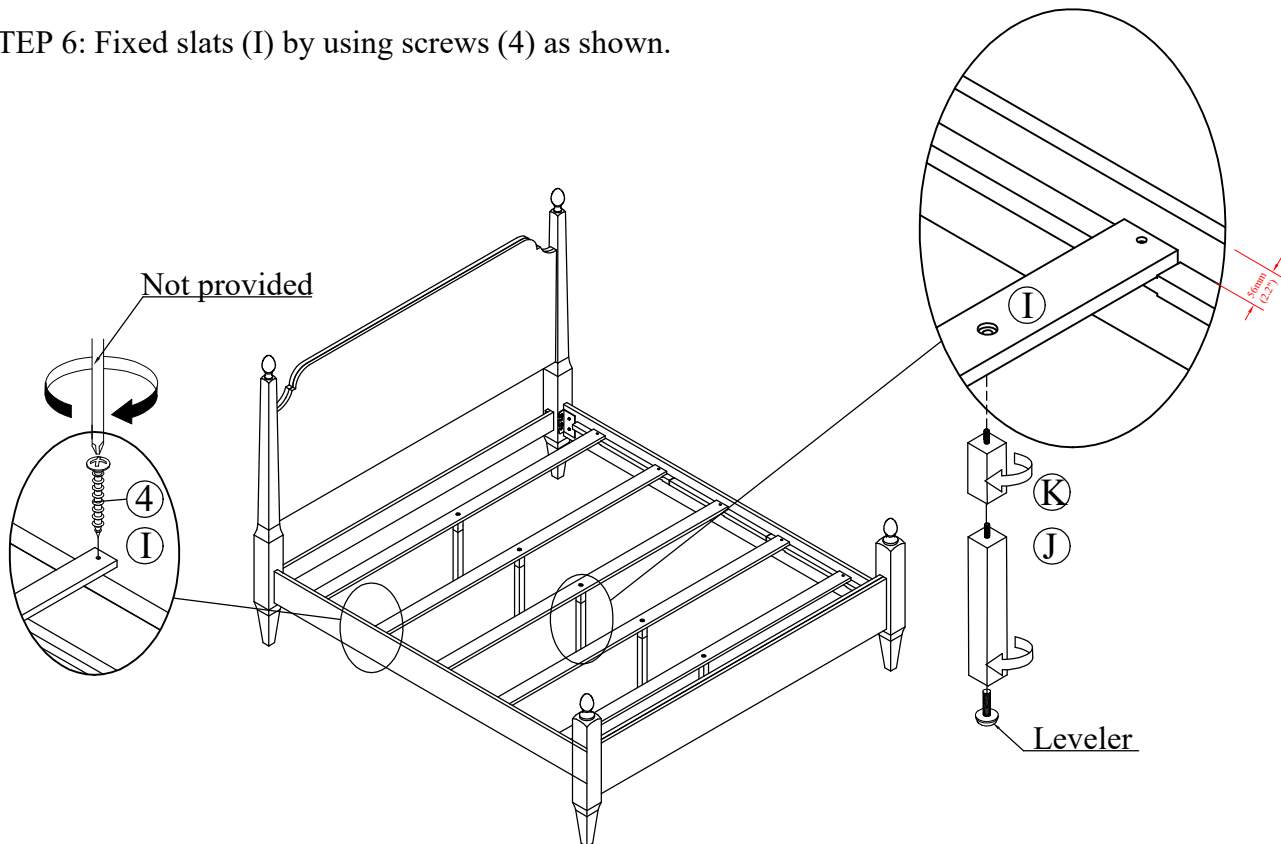
LEGC 5413-4305 QN POSTER HDBD - SKU: 33354135

LEGC 5413-4315 QN POSTER FTBD - SKU: 33754133

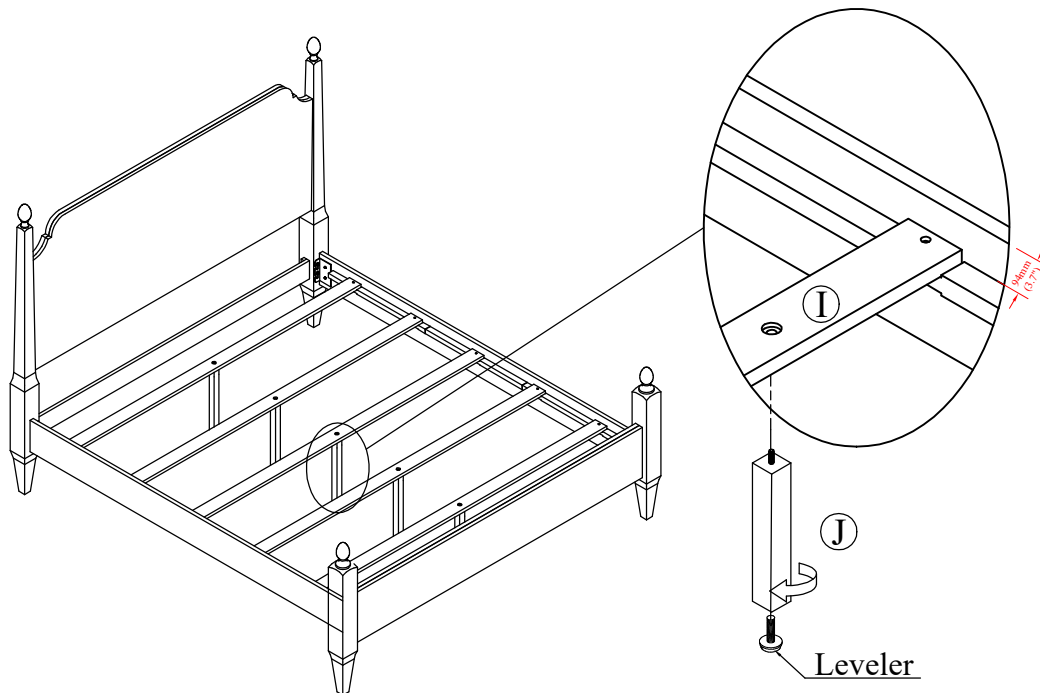
LEGC 5413-4911 QN/KG POSTER BED SIDE RAILS - SKU: 33954137

Version 1: 15.10.2025

STEP 6: Fixed slats (I) by using screws (4) as shown.



STEP 7: OPTION 1: Reverse the Side rail (H), if the side is rotated 56mm (2.2") upwards, use more the Short support leg (K) to increase the height as shown.



OPTION 2: Reverse the Side rail (H), if the side is rotated 94mm (3.7") upwards, NOT use more the Short support leg (K) as shown.