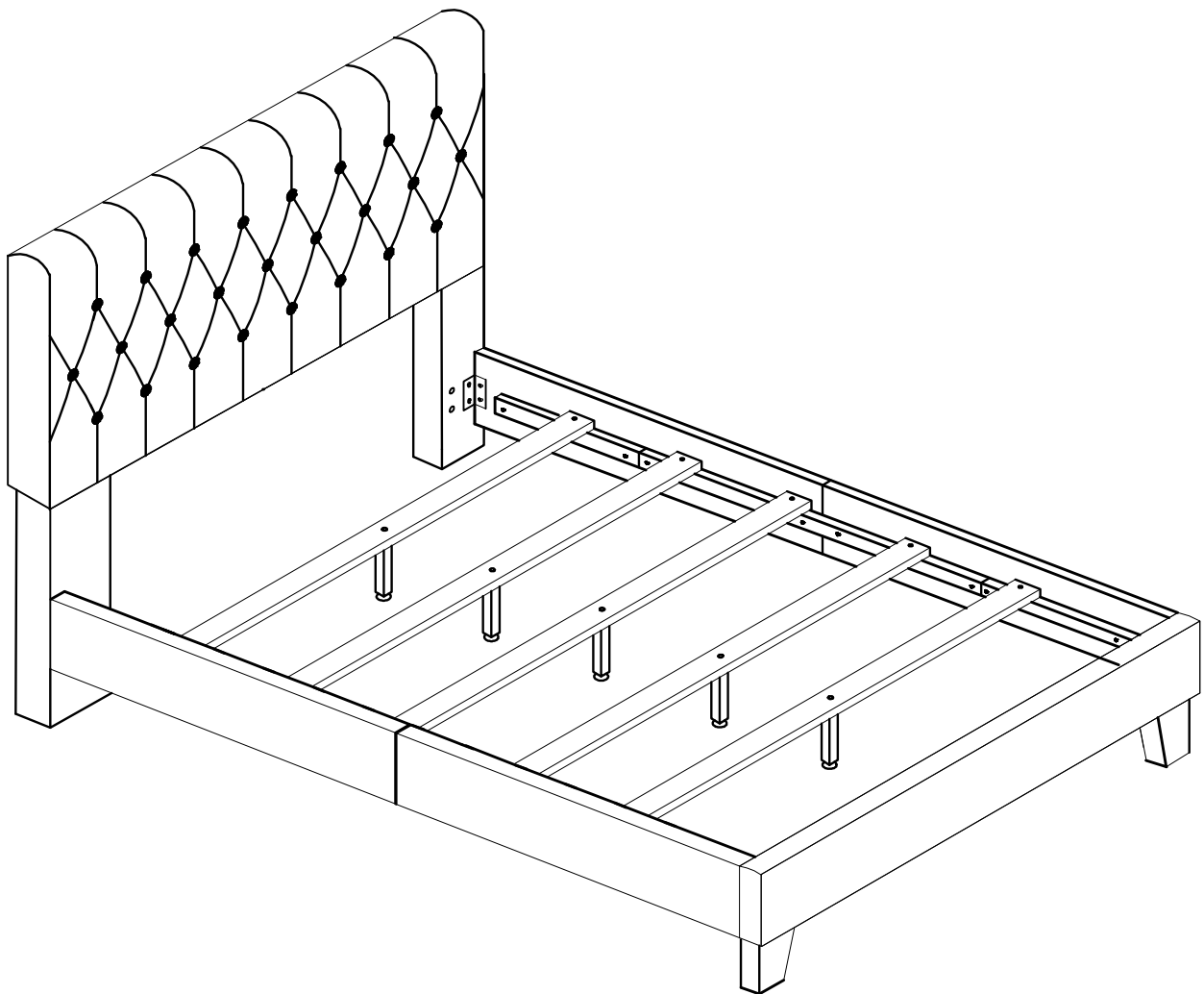


ASSEMBLY INSTRUCTION



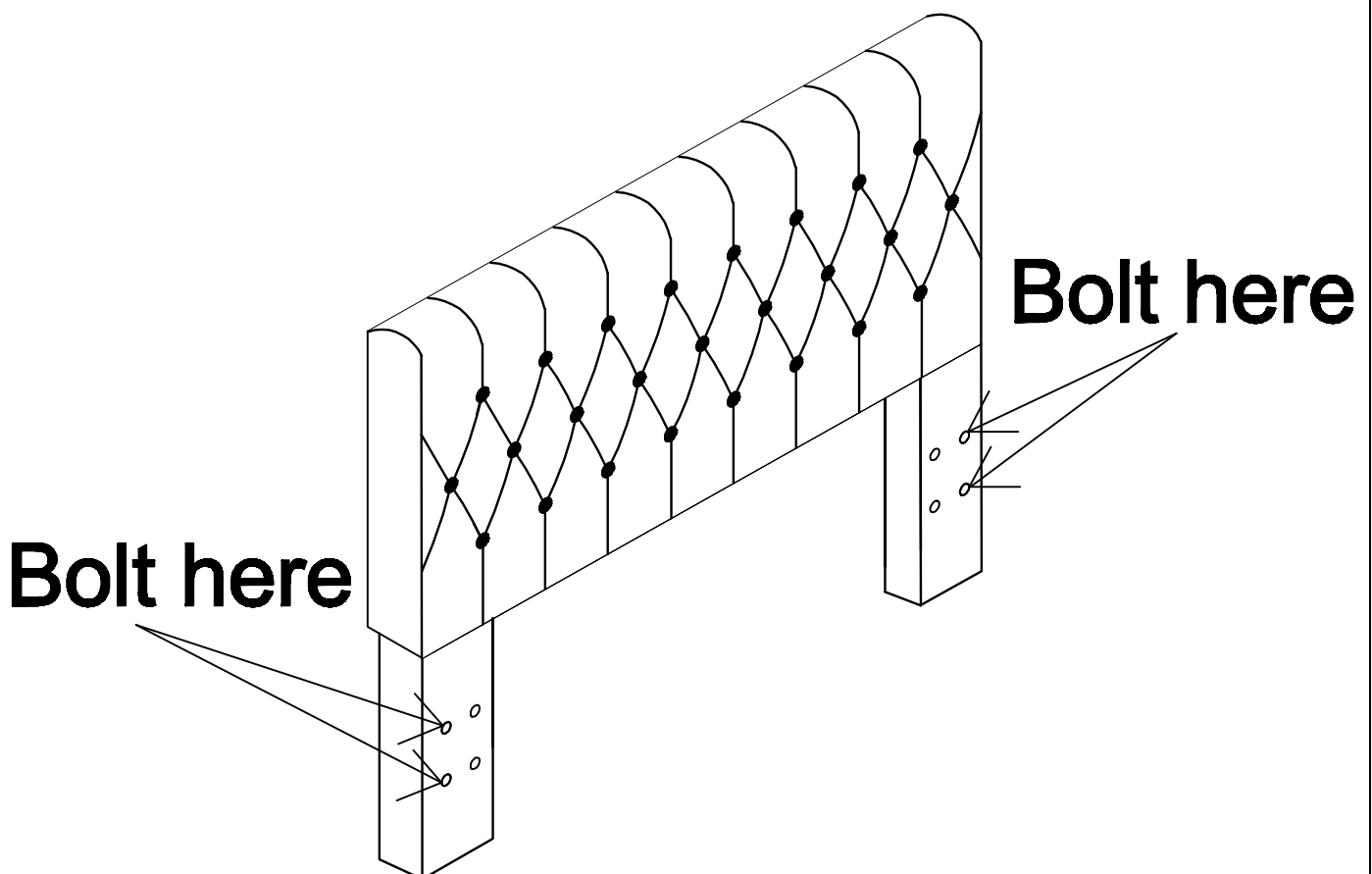
For parts and customer service
contact: service@emeraldhome.com

www.emeraldhome.com

ATTENTION:

Head Board legs are interchangeable
(Right & Left)

Always bolt Bed Rails into outside
Headboard Leg holes as shown in
illustration.



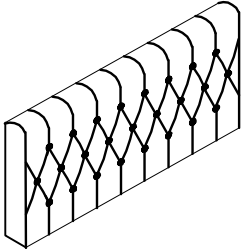
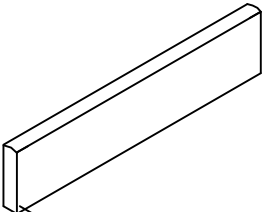
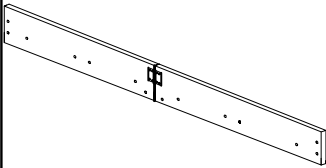
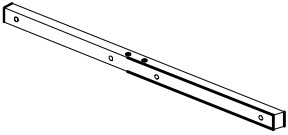
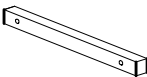
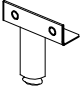
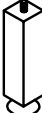
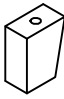
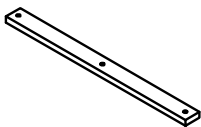
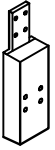

SKU:B128-10**ASSEMBLY INSTRUCTIONS**

Thank you for purchasing this product. Be sure to check all packaging materials carefully for small parts that may have come loose inside the carton during shipment.


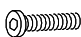
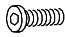





Before you Assemble: Please read all instructions carefully before beginning the assembly process. It is recommended that 2 people work together during assembly to prevent personal injury and to ensure that heavy or cumbersome parts are not damaged during the process.

CAUTION: For your safety, this product requires two people to lift.

PARTS LIST:

① Headboard-1pc 	② Footboard-1pc 	③ Side Rail-2pcs 	④ Side Slat Wood -A-2pcs 
⑤ Side Slat Wood -B-4pcs 	⑥ Support Leg-2pcs 	⑦ Support Leg-5pcs 	⑧ Leg-2pcs 
⑨ Slats-5pcs 	⑩ Leg-2pcs 	⑪ Meatl Connector -4pcs 	

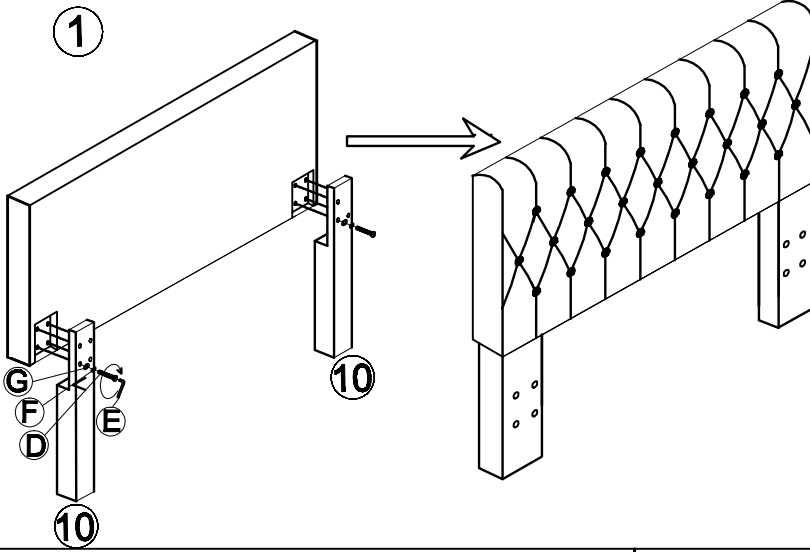
HARDWARE LIST:

A Bolt M8*100mm-2pcs 	B Bolt M8*40mm-16pcs 	C Bolt M8*20mm-20pcs 	D Bolt M8*50mm-8pcs 
E Allen Key-1pc 	F Spring Washer-24pcs 	G Flat Washer-46pcs 	H Screw M4*35 -10pcs 

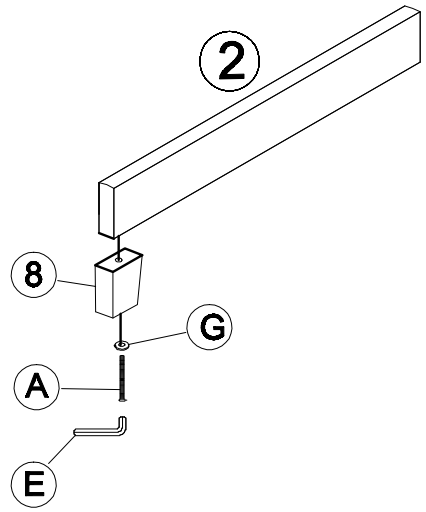
SKU:B128-10

ASSEMBLY INSTRUCTIONS

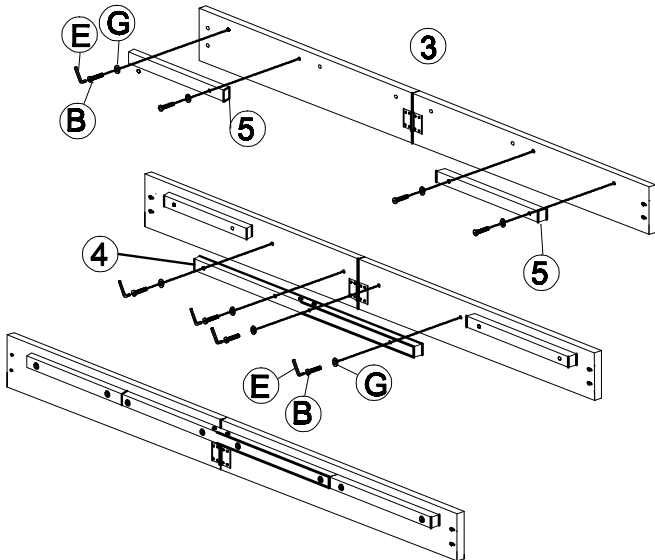
STEP 1:



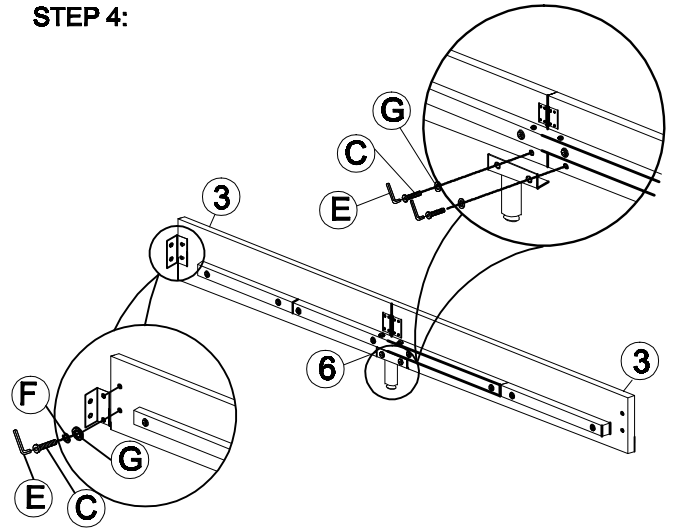
STEP 2:



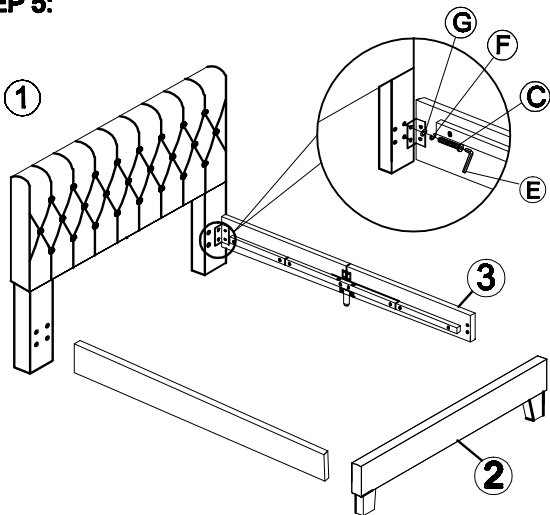
STEP 3:



STEP 4:



STEP 5:



STEP 6:

