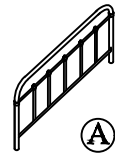
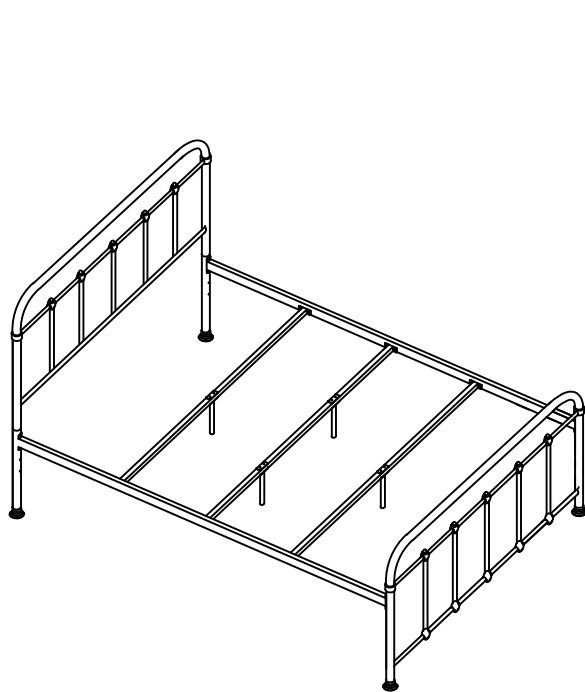




PARTS LIST / LISTE DES PIÈCES / LISTA DE PIEZAS

ITEM NO. / ARTICLE NO. / ARTICULO NO. : DS-2645-290-3

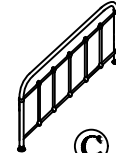
DESCRIPTION / DESCRIPCIÓN : All in One Metal Bd Wht/Crm Pwdr Ct Fnsh/ Lit en métal/ Cama metálica



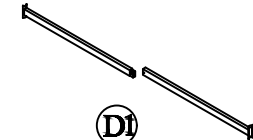
x1 Headboard
x1 Tête de lit
x1 Cabecera



x2 Headboard Leg
x2 Patins de la tête de lit
x2 Patas de cabecera



x1 Footboard
x1 Pied de lit
x1 Pie de cama



x1 Side Rail
x1 Traverse
x1 Travesano lateral



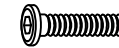
x1 Side Rail
x1 Traverse
x1 Travesano lateral



x3 Slats
x3 Lattes
x3 Listones



x12 Center Supports
x12 Supports centraux
x12 Soportes centrales



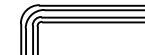
x34 Bolt Ø1/4" x 20 mm
x34 Vis à tête creuse hexagonale Ø1/4" x 20 mm
x34 Perno Allen Ø1/4" x 20 mm



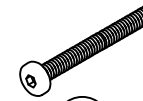
x8 Hex Nut Ø5/16"
x8 Écrou hexagonal Ø5/16"
x8 Tuercas hexagon Ø5/16"



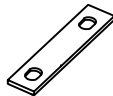
x8 Flat Washer Ø1/4" x 19mm
x8 Rondelle de plate Ø1/4" x 19mm
x8 Arandela plana Ø1/4" x 19mm



x1 Allen Key 4mm
x1 Clé hexagonale 4mm
x1 Llave allen 4mm



x8 Bolt Ø1/4" x 40 mm
x8 Vis à tête creuse hexagonale Ø1/4" x 40 mm
x8 Perno Allen Ø1/4" x 40 mm



x4 Brackets
x4 Supports
x4 Soportes



x1 Open Wrench Ø5/16"
x1 Clé à fourche Ø5/16"
x1 Llave de boca Ø5/16"



x4 Leveler
x4 Patin
x4 Niveladora



x4 Foot
x4 Pieds
x4 Pies

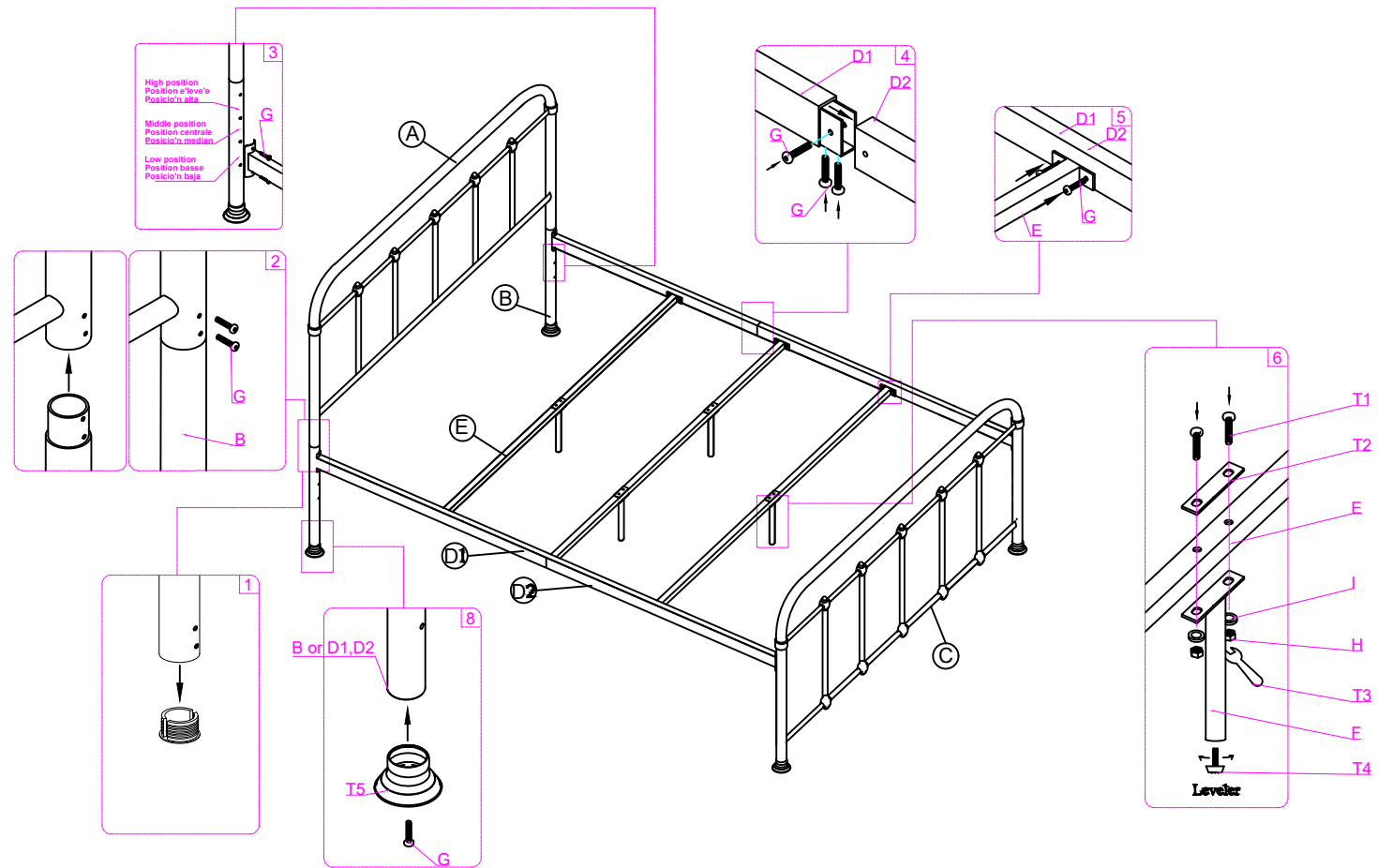
*Replaceable Part

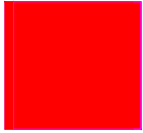


ASSEMBLY INSTRUCTIONS / NOTICE DE MONTAGE / INSTRUCCIONES DE MONTAJE

ITEM NO. / ARTICLE NO. / ARTICULO NO. : DS-2645-290-3

DESCRIPTION / DESCRIPCIÓN : All in One Metal Bd Wht/Crm Pwdr Ct Fnsh/ Lit en métal/ Cama metálica

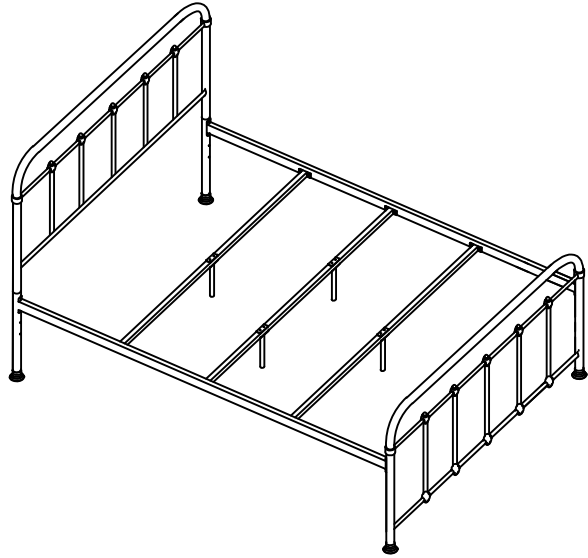




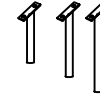
REPLACEABLE PART / PARTIE REMPLACABLE / PARTE REEMPLAZABLE

ITEM NO. / ARTICLE NO. / ARTICULO NO. : DS-2645-290-3

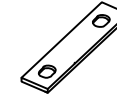
DESCRIPTION / DESCRIPCIÓN : All in One Metal Bd Wht/Crm Pwdr Ct Fnsh/ Lit en métal/ Cama metálica



x2 RDS-2645-289-1-LEG *
x2 Headboard Leg (Left & Right)
x2 Pattes de la tête de lit (gauche et droite)
x2 Patas de cabecera (izquierda y derecha)



x4 RDS-2645-289-1-SULEL (Long) *
x4 RDS-2645-289-1-SULES (Short)
x4 RDS-2645-289-1-SULEM (Medium)
x12 Center Supports
x12 Supports centraux
x12 Soportes centrales



x4 RDS-2645-289-1-BRACK *
x4 Brackets
x4 Supports
x4 Soportes



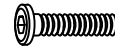
x2 RDS-2645-290-3-SLATE (End) *
x1RDS-2645-290-3-SLATC (Center)
x3 Slats
x3 Lattes
x3 Listones



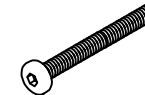
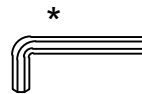
x4 RC-FG-BLACK *
x4 Leveler
x2 Patin
x2 Niveladors



x4RDS-2645-289-1-FOOT *
x4 Foot
x4 Pieds
x4 Pies



x1 RDS2645-289-1-HWKIT *
x1 Hardware Kit
x1 Liste des pièces de quincaillerie
x1 Lista del kit de materiales



*Replaceable Part