


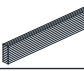

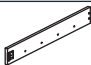

















# ASSEMBLY INSTRUCTION

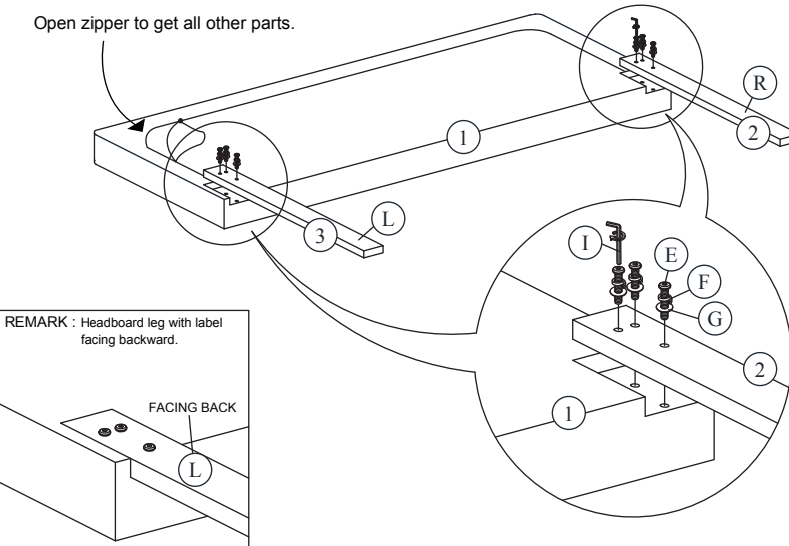
ITEM : ABBERTON-QB

NO	PARTLIST	QTY
1	 HEADBOARD CUSHION	1PC
2	 HEADBOARD LEG WITH LABEL "R"	1PC
3	 HEADBOARD LEG WITH LABEL "L"	1PC
4	 FOOTBOARD CUSHION	1PC
5	 FOOTBOARD	2PCS
6	 SIDE RAIL (L)	2PCS
7	 SIDE RAIL (R)	2PCS
8	 SIDE RAIL SUPPORT	4PCS
9	 SIDE RAIL LEG	2PCS
10	 SLAT	4PCS
11	 SUPPORT LEG WITH ADJUSTABLE FEET	4PCS

ITEM	HARDWARE	QTY
A	 JCBB SCREW M8 x 20MM	8PCS
B	 JCBC SCREW M6 x 15MM	6PCS
C	 JCBC SCREW M6 x 25MM	8PCS
D	 JCBC SCREW M6 x 35MM	20PCS
E	 JCBC SCREW M6 x 50MM	6PCS
F	 SPRING WASHER M6 x 12MM	30PCS
G	 FLAT WASHER M6 x 19MM	30PCS
H	 SCREW M4 x 32MM	8PCS
I	 L - KEY M4 x 65MM	1PC
J	 L - KEY M5 x 65MM	1PC

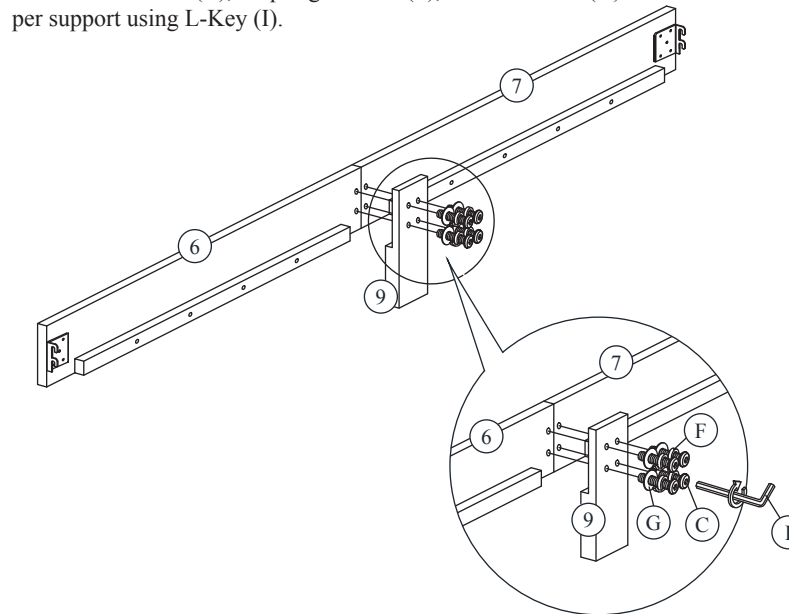
## STEP 1

Please open the zipper on the back of Headboard Cushion (1) to get more parts. Begin assembly by attaching each Headboard Leg (2) & (3) to the bottom of the Headboard Cushion (1) by aligning the hole and securing with 3 Allen Bolts (E), 3 Spring Washer (F), 3 Flat Washer (G) per leg using L-Key (I).



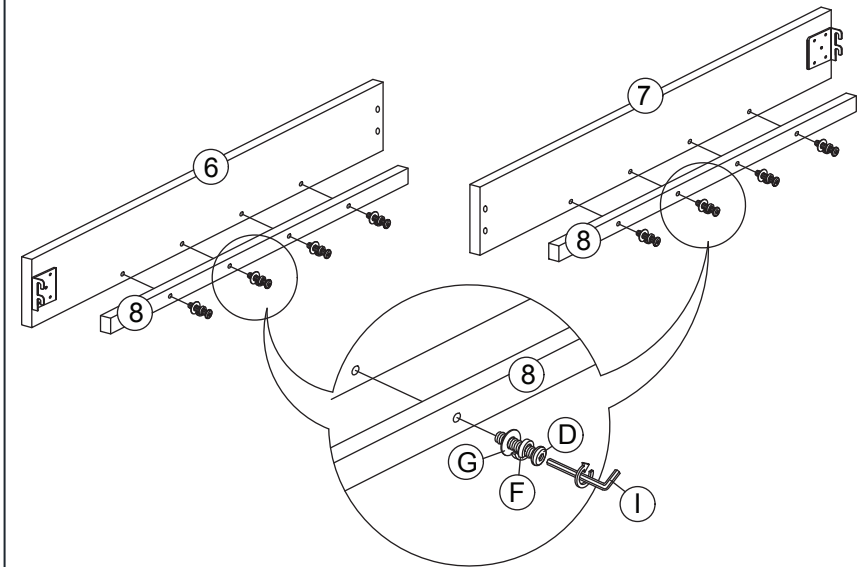
## STEP 3

Attach the Side Rails Support Leg (9) to join of the Side Rail (6) & (7) by securing with 4 Allen Bolts (C), 4 Spring Washer (F), 4 Flat Washer (G) per support using L-Key (I).



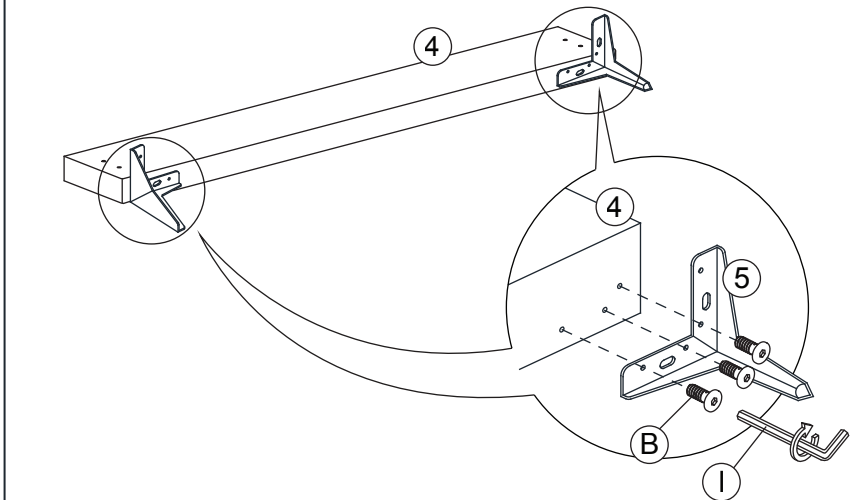
## STEP 2

Attach the Side Rail Supports (8) to join of the Side Rail (6) & (7) by securing with 4 Allen Bolts (D), 4 Spring Washer (F), 4 Flat Washer (G) per side rail support using L-Key (I).



## STEP 4

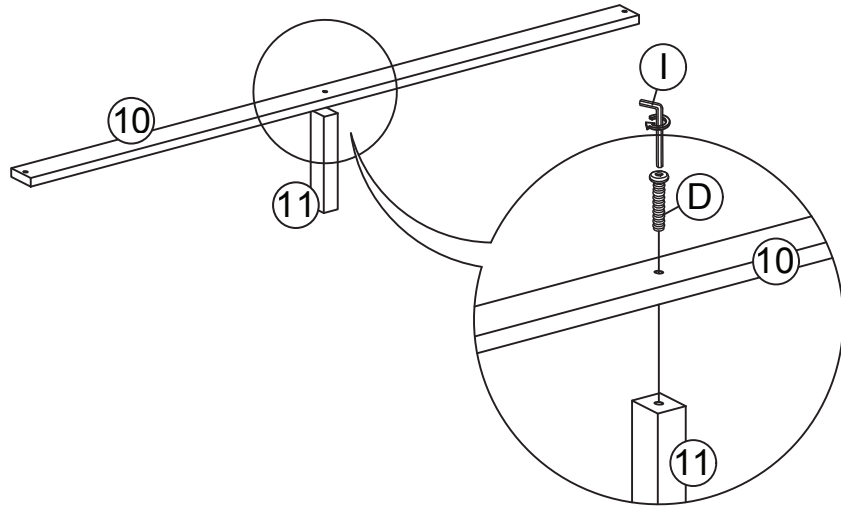
Attach each Footboard Legs (5) to the bottom of the Footboard Cushion (4) by securing with 3 Allen Bolts (B) per leg using L-Key (I).



# ASSEMBLY INSTRUCTION

## STEP 5

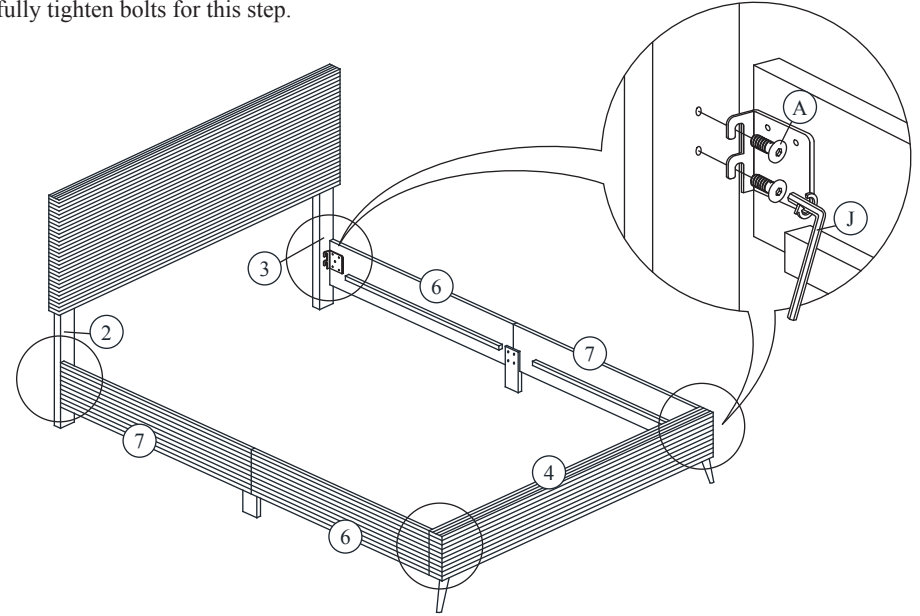
Attach Support Legs (11) to Slat (10) by securing with 1 Allen Bolt (D) per support leg using L-Key (I).



## STEP 6

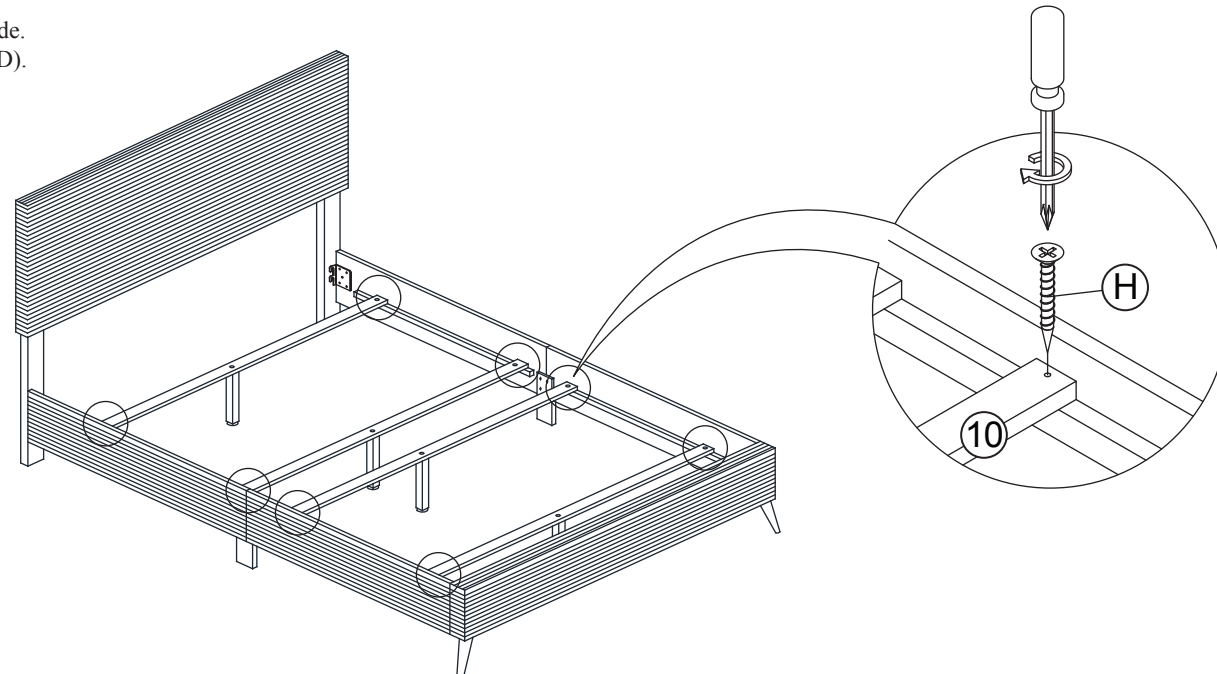
Attach Side Rail to the Headboard Leg (2) & (3) & Footboard Cushion (4). Aligning holes and securing with 2 Allen Bolts (A) per each and using L-Key (J).

Do not fully tighten bolts for this step.



## STEP 7

Attach Slat (10) to side rail by securing with 1 Screw (H) per each side. Tighten all screws using phillips head screwdriver (NOT INCLUDED).



**ASSEMBLY  
COMPLETED**