

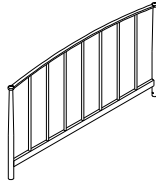
ASSEMBLY INSTRUCTION

SH2017-1 QUEEN SIZE METAL BED

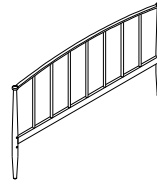
PART LIST:



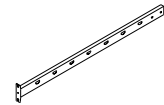
A: Finial
4PCS



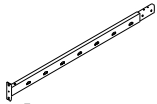
B: Headboard
1PC



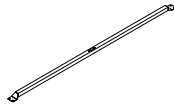
C: Footboard
1PC



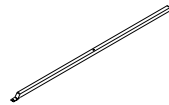
D: Side Rail
2PCS



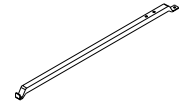
E: Side Rail
2PCS



F: Brace
1PC



G: Brace
2PCS



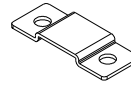
H: Brace
2PCS



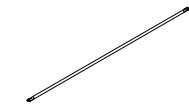
I: Leg
3PCS



J: Center Support
Legs
2PCS



K: Bracket
1PC



L: Slat
14PCS



M: Slat Connector
28PCS



N: Headboard Leg
1PC



O: Headboard Leg
1PC

HARDWARE LIST:



1 : Bolt
1/4"-20*22mm
16PCS



2 : Bolt
5/16"-20*19mm
8PCS



3 : Bolt
1/4"-20*17.5mm
10PCS



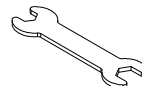
4 : Bolt
1/4"-20*40mm
4PCS



5 : 1/4"
4PCS



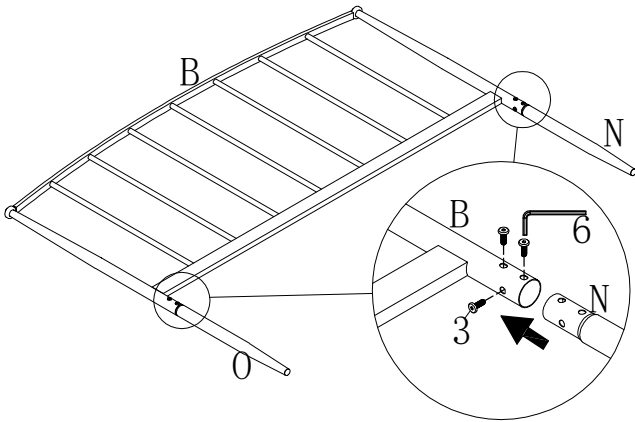
6 : 4mm
1PC



7 : Wrench
1PC

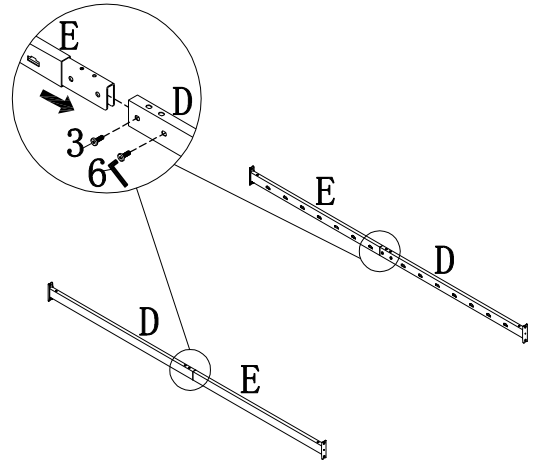
NOTE: PLEASE DO NOT TIGHTEN ALL BOLTS UNTIL THE BED IS ASSEMBLED COMPLETELY.

STEP 1:



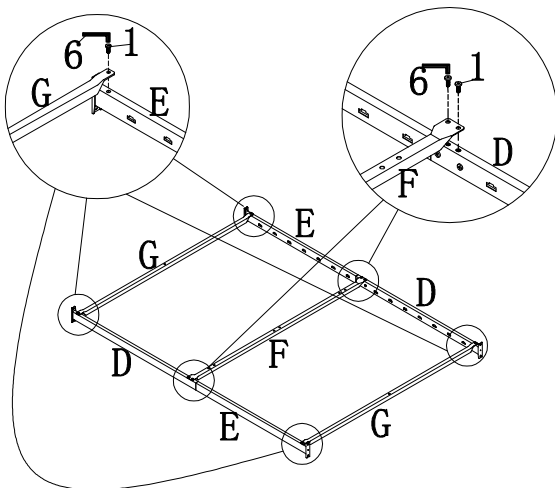
Hardware 3: 6 pcs

STEP 2:



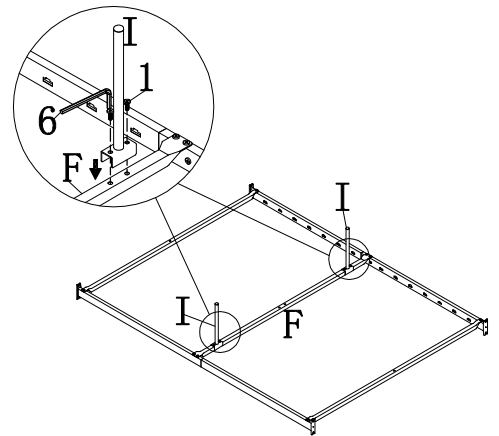
Hardware 3: 4 pcs

STEP 3:



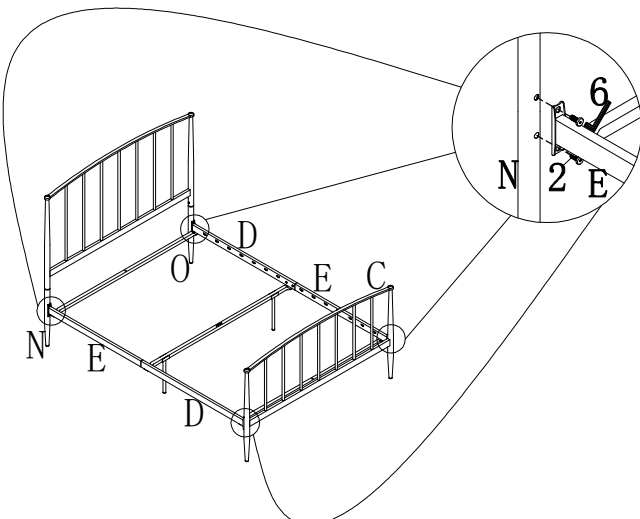
Hardware 1: 8 pcs

STEP 4:



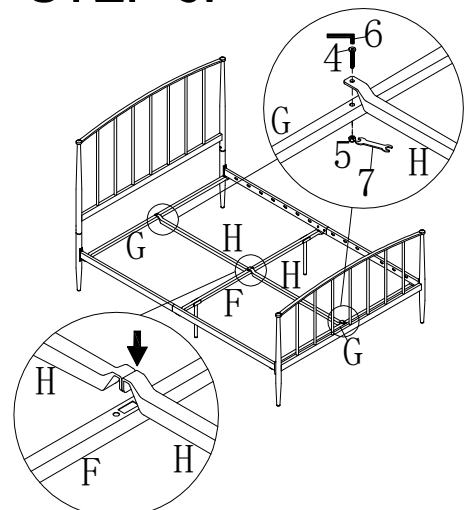
Hardware 1: 4 pcs

STEP 5:



Hardware 2: 8 pcs

STEP 6:

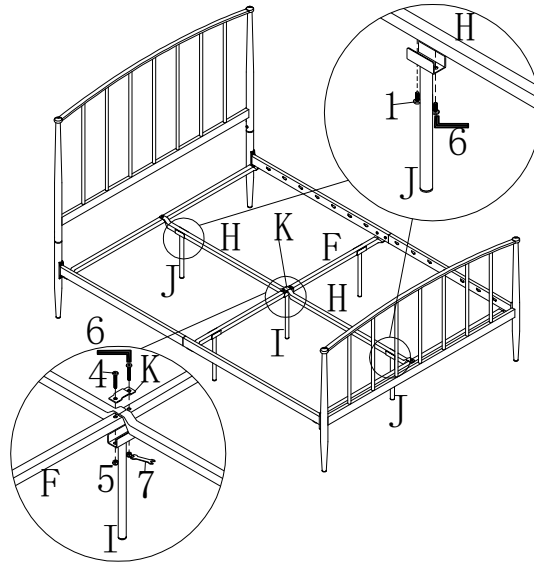


Hardware 4: 2 pcs
Hardware 5: 2 pcs

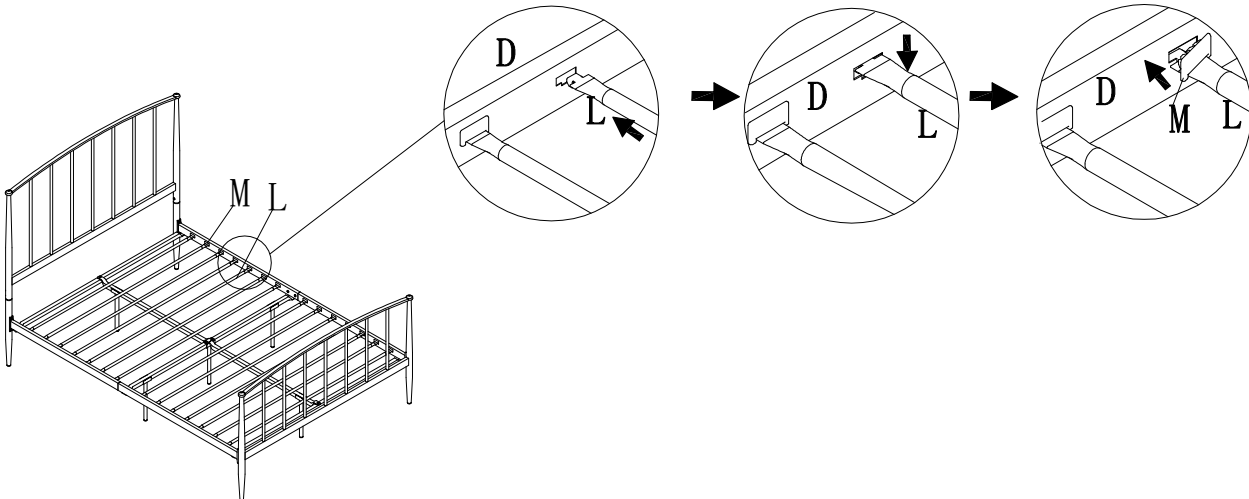
NOTE: PLEASE DO NOT TIGHTEN ALL BOLTS UNTIL THE BED IS ASSEMBLED COMPLETELY.

STEP 7:

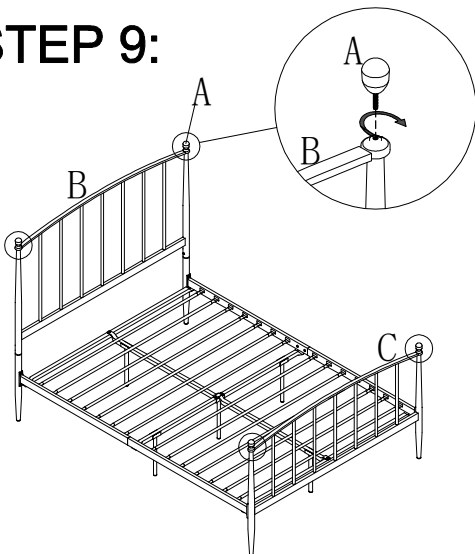
Hardware 1: 4 pcs
Hardware 4: 2 pcs
Hardware 5: 2 pcs



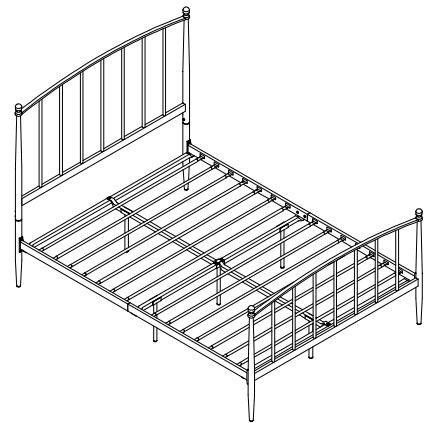
STEP 8:



STEP 9:



COMPLETED:



! For items use on wooden floor, hard surfaces or carpets, it is recommended to install protective pads under all legs and supports to avoid/prevent from damages/scratches and discoloration.