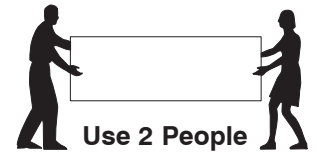
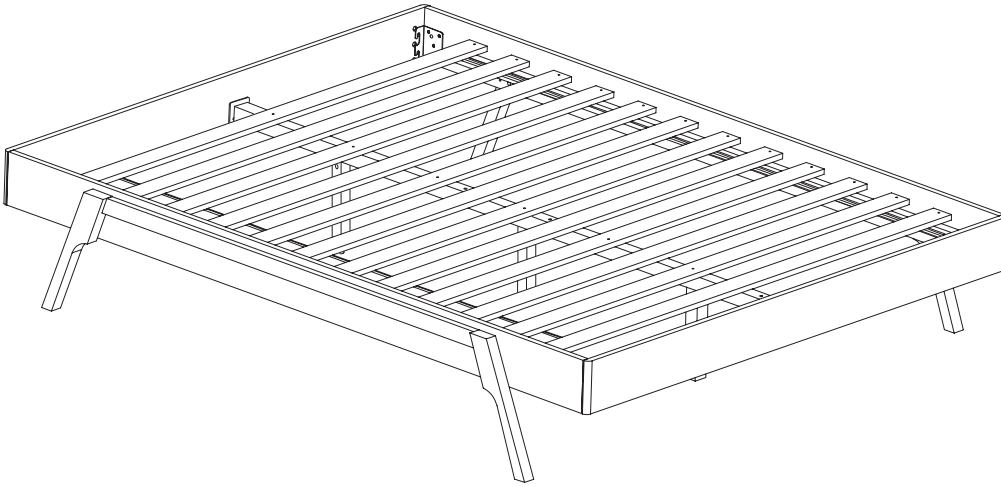


# 0094 Queen Bed

## Assembly Instructions

WI-0622

### 1 Assembled View

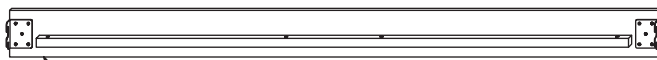


**Note:** Do not assemble using power tools. This can cause the bolts to be overtightened.

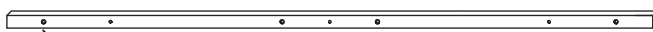
### 2 Parts List



**A** Headboard / Footboard Panel x 2



**D** Side Rail x 2



**E** Long Support x 1



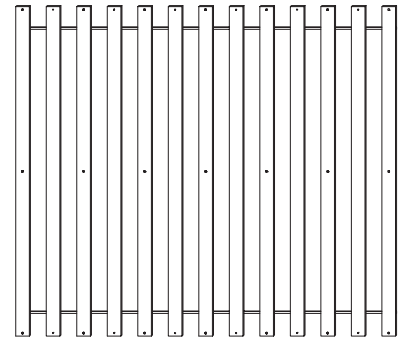
**B** Post (Right hand) x 2



**C** Post (Left Hand) x 2



**F** Support Leg x 3



**G** Set of Bed Slats x 1

### 3 Hardware List



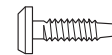
**1** M6 x 90mm JCB x 3



**2** M6 x 30mm JCB x 8



**3** M6 x 40mm JCB x 12



**4** M6 x 20mm JCB x 8



**5** M6 x 15mm JCB x 4



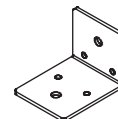
**6** Spring Washer x 16



**7** Flat Washer x 16



**8** Wood Screw (M4 x 32mm) x 18



**9** Center Rail Bracket x 2



**10** Allen Key x 1



**11** Adjustable Foot x 3



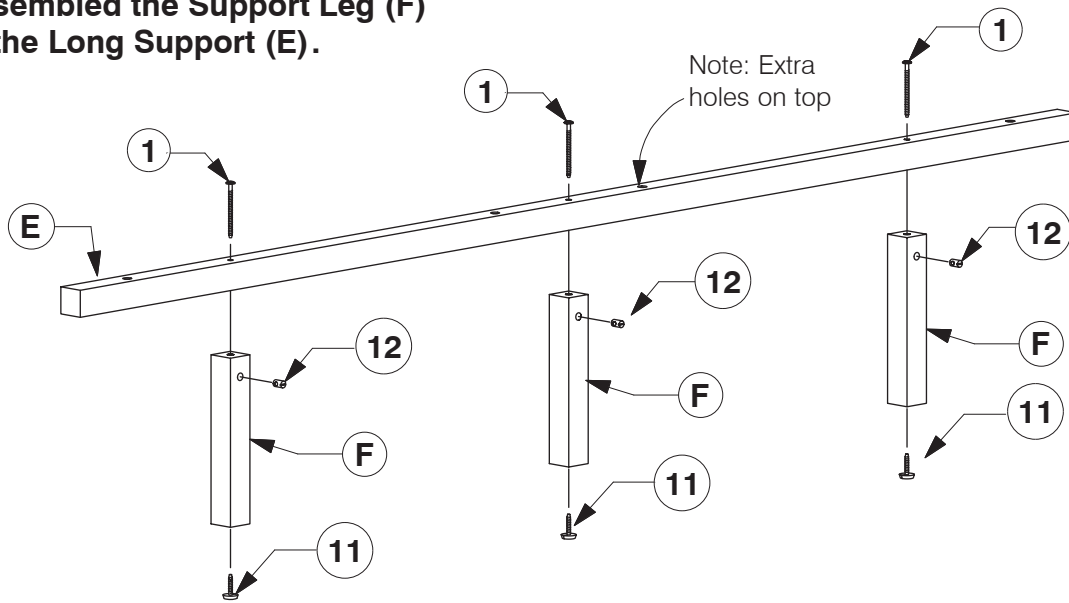
**12** Barrel Nut x 3

# 0094 Queen Bed

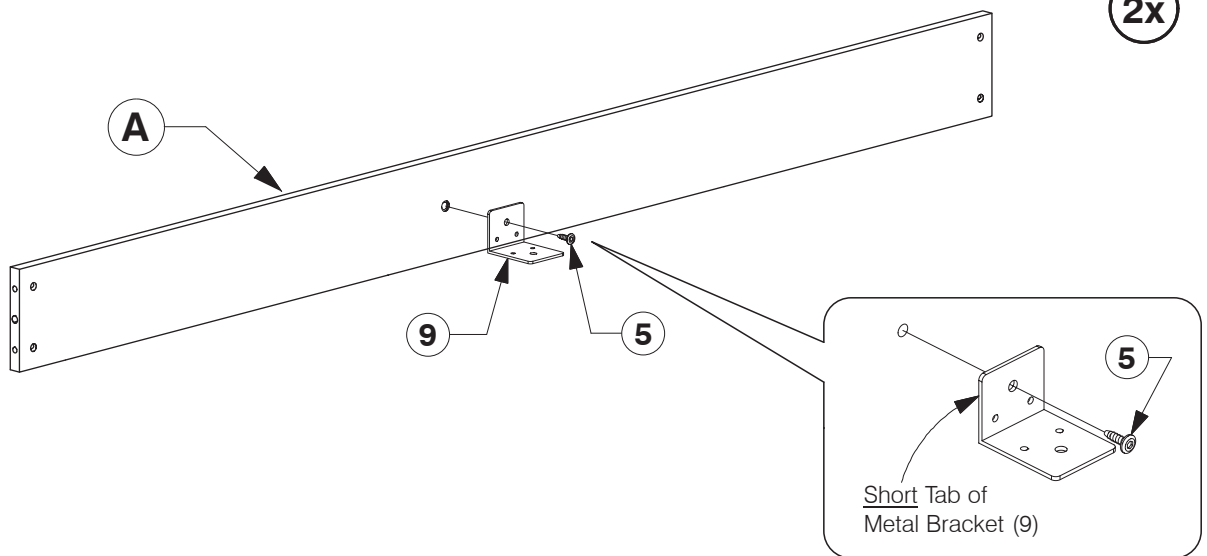
## Assembly Instructions

WI-0622

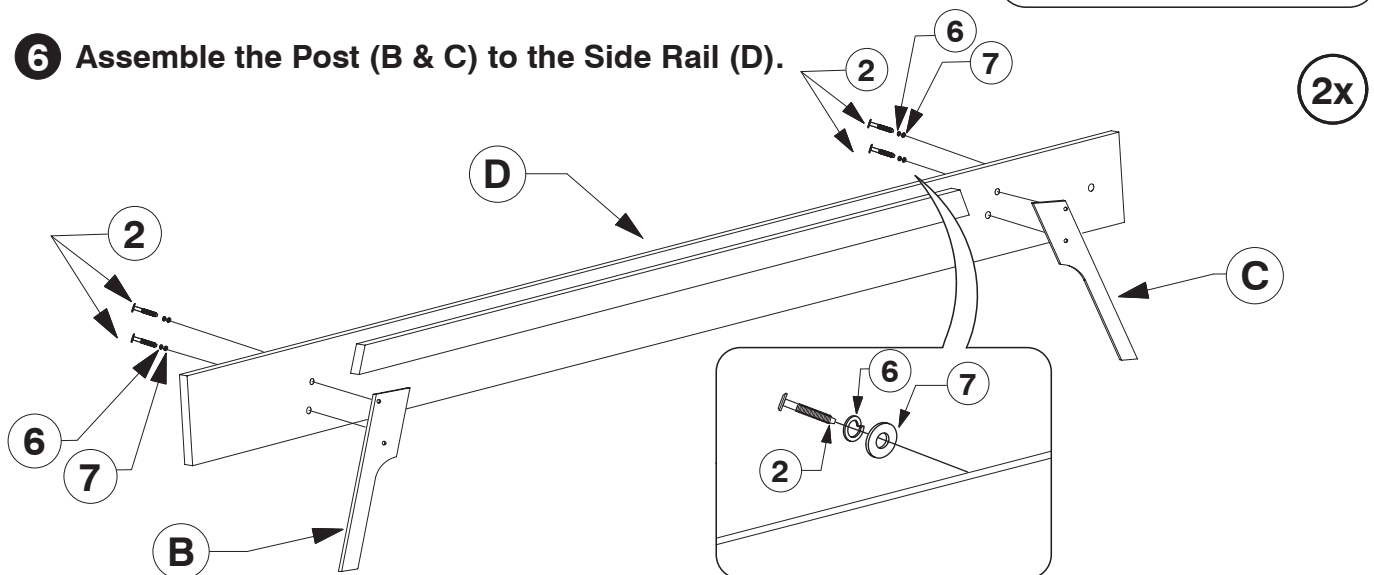
- 4** Assembled the Support Leg (F) to the Long Support (E).



- 5** Fit the Center Rail Bracket to the Headboard / Footboard Panel (A).



- 6** Assemble the Post (B & C) to the Side Rail (D).

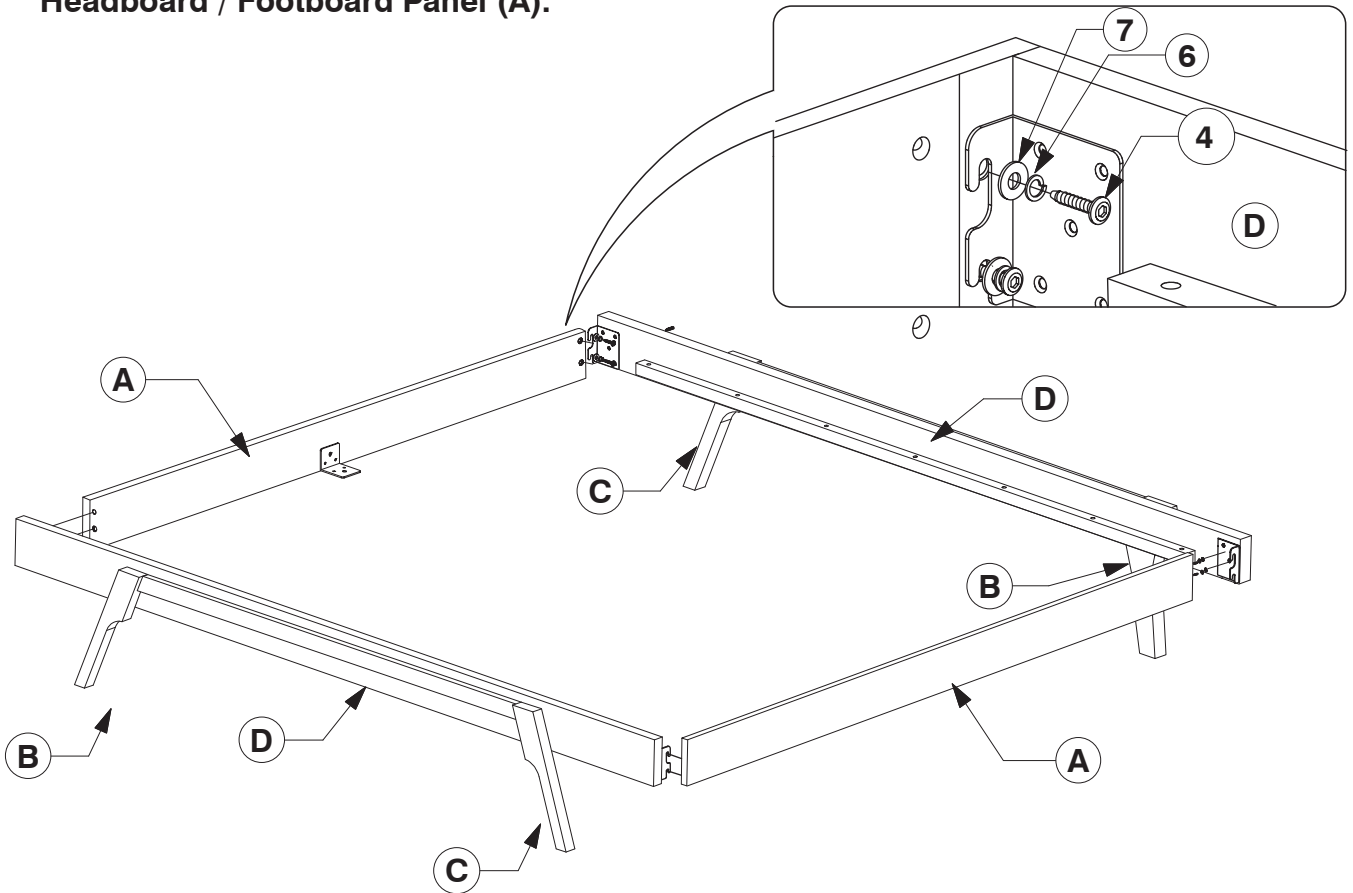


# 0094 Queen Bed

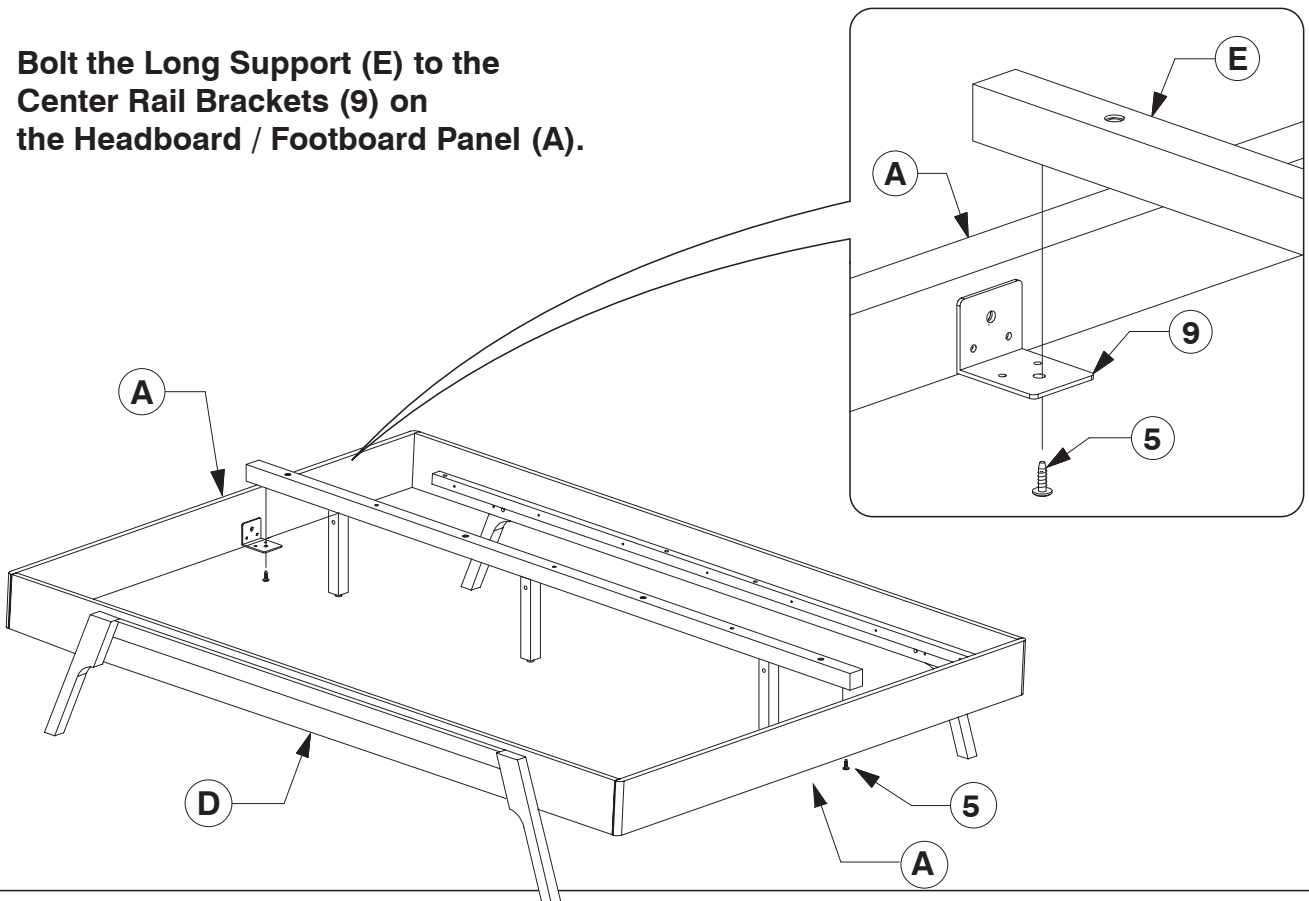
## Assembly Instructions

WI-0622

- 7** Assemble the Side Rail (D) to the Headboard / Footboard Panel (A).



- 8** Bolt the Long Support (E) to the Center Rail Brackets (9) on the Headboard / Footboard Panel (A).



# 0094 Queen Bed

## Assembly Instructions

WI-0622

- 9** Bolt & screw the remaining Bed Slats (G) to the Side Rail (D).

