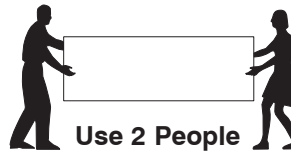
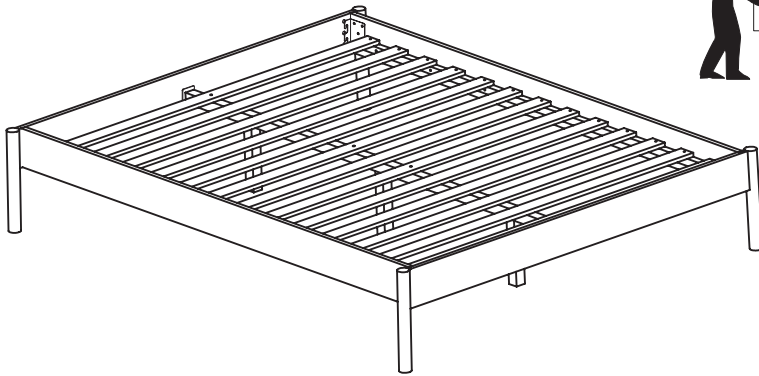


0097-1 Queen Bed

Assembly Instructions

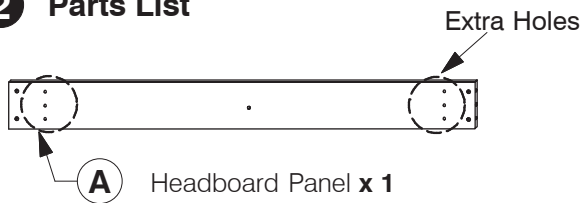
WI-0622

1 Assembled View



Note: Do not assemble using power tools. This can cause the bolts to be overtightened

2 Parts List



A Headboard Panel x 1



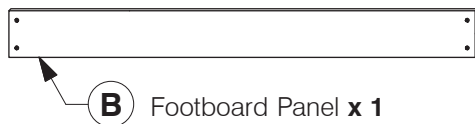
E Support Leg x 3



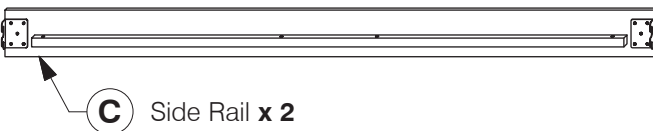
F Post (Left hand) x 2



G Post (Right hand) x 2



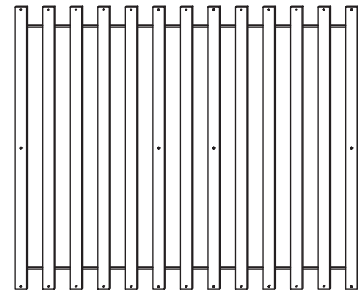
B Footboard Panel x 1



C Side Rail x 2



D Long Support x 1

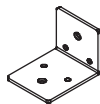


H Set of Bed Slats x 1

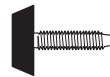
3 Hardware List



1 M4 Allen Key x 1



2 Center Rail Bracket x 2



3 Adjustable Foot x 3



4 Wood Screw (M4 x 32mm) x 18



5 Wood Dowel (10 x 40mm) x 4



6 Barrel Nut x 11



7 Spring Washer x 8



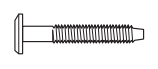
8 Flat Washer x 8



9 M6 x 15mm JCB x 4



10 M6 x 20mm JCB x 8



11 M6 x 40mm JCB x 12



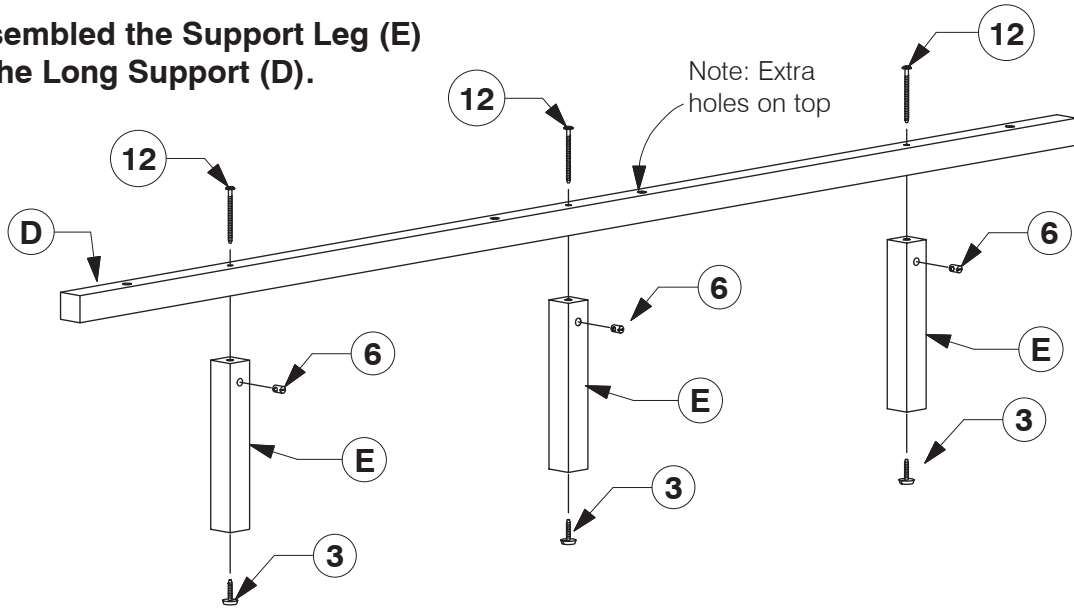
12 M6 x 90mm JCB x 11

0097-1 Queen Bed

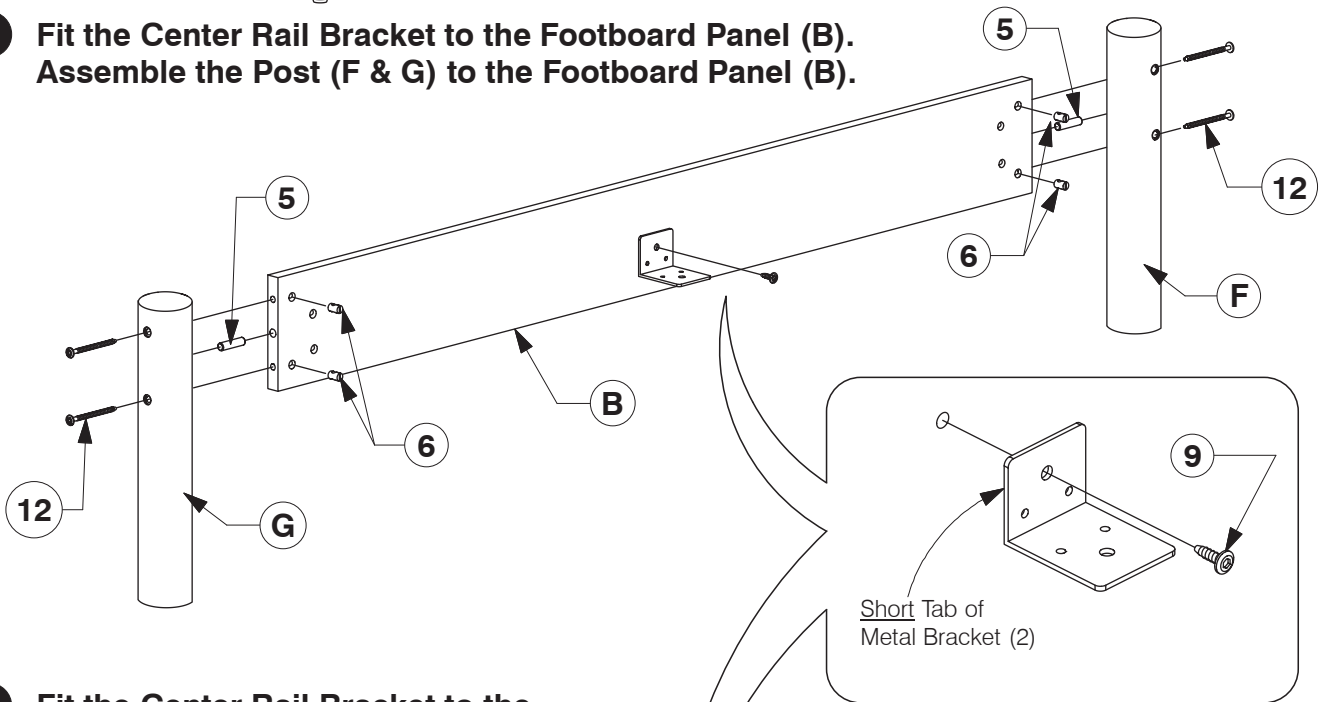
Assembly Instructions

WI-0622

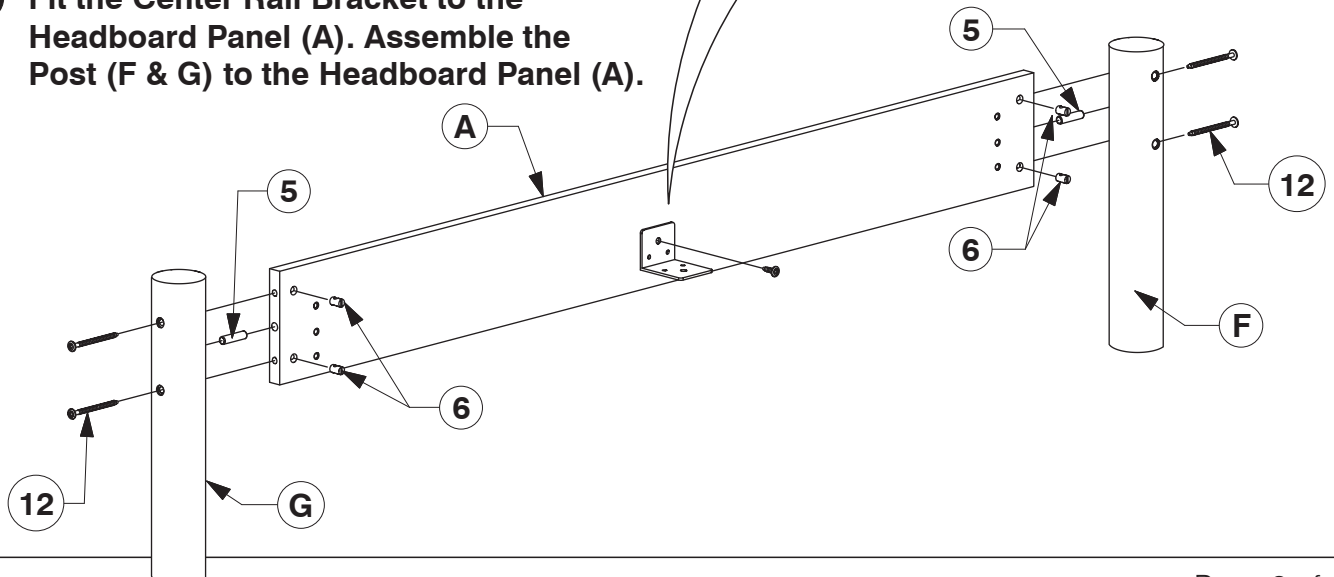
- 4** Assembled the Support Leg (E) to the Long Support (D).



- 5** Fit the Center Rail Bracket to the Footboard Panel (B). Assemble the Post (F & G) to the Footboard Panel (B).



- 6** Fit the Center Rail Bracket to the Headboard Panel (A). Assemble the Post (F & G) to the Headboard Panel (A).

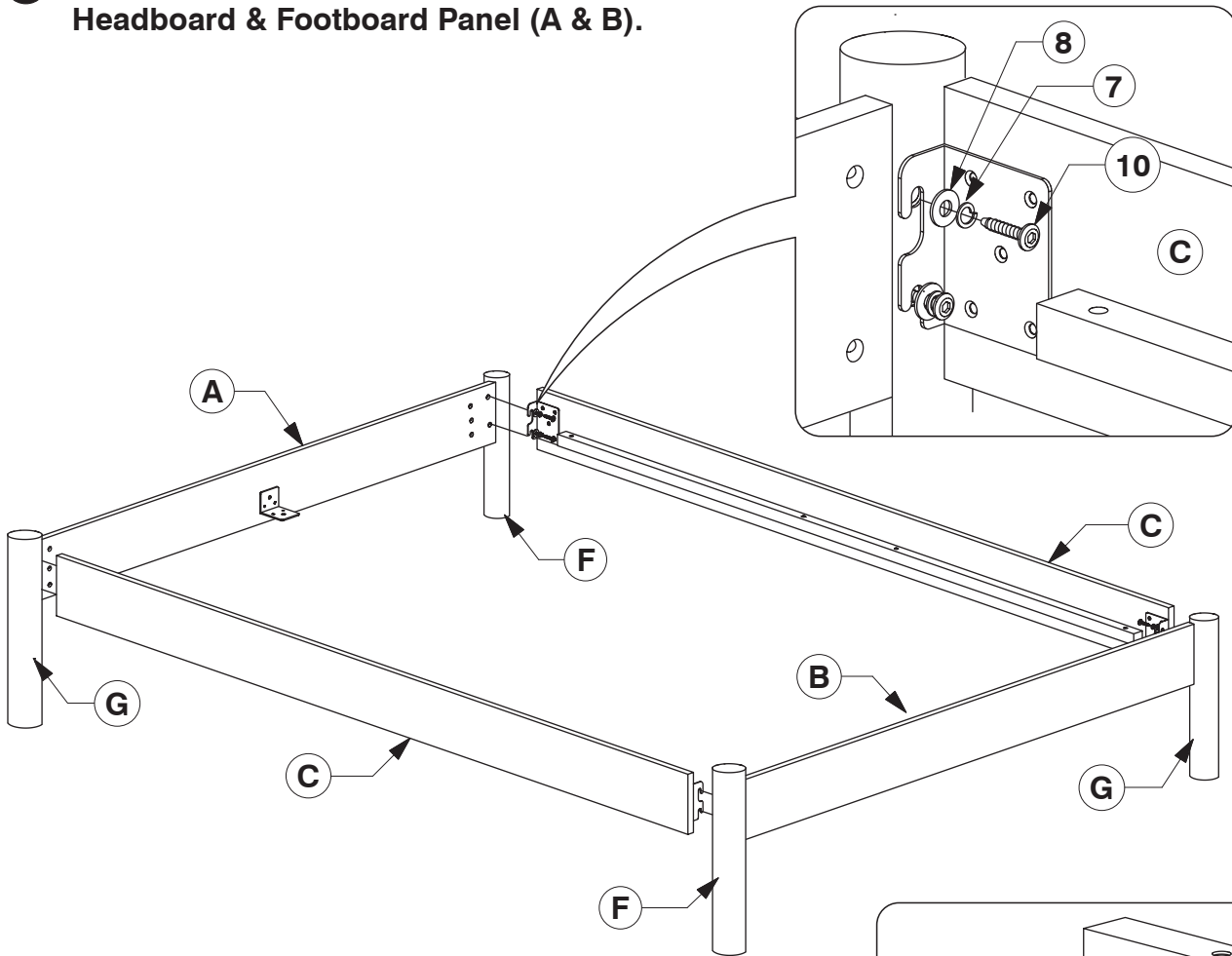


0097-1 Queen Bed

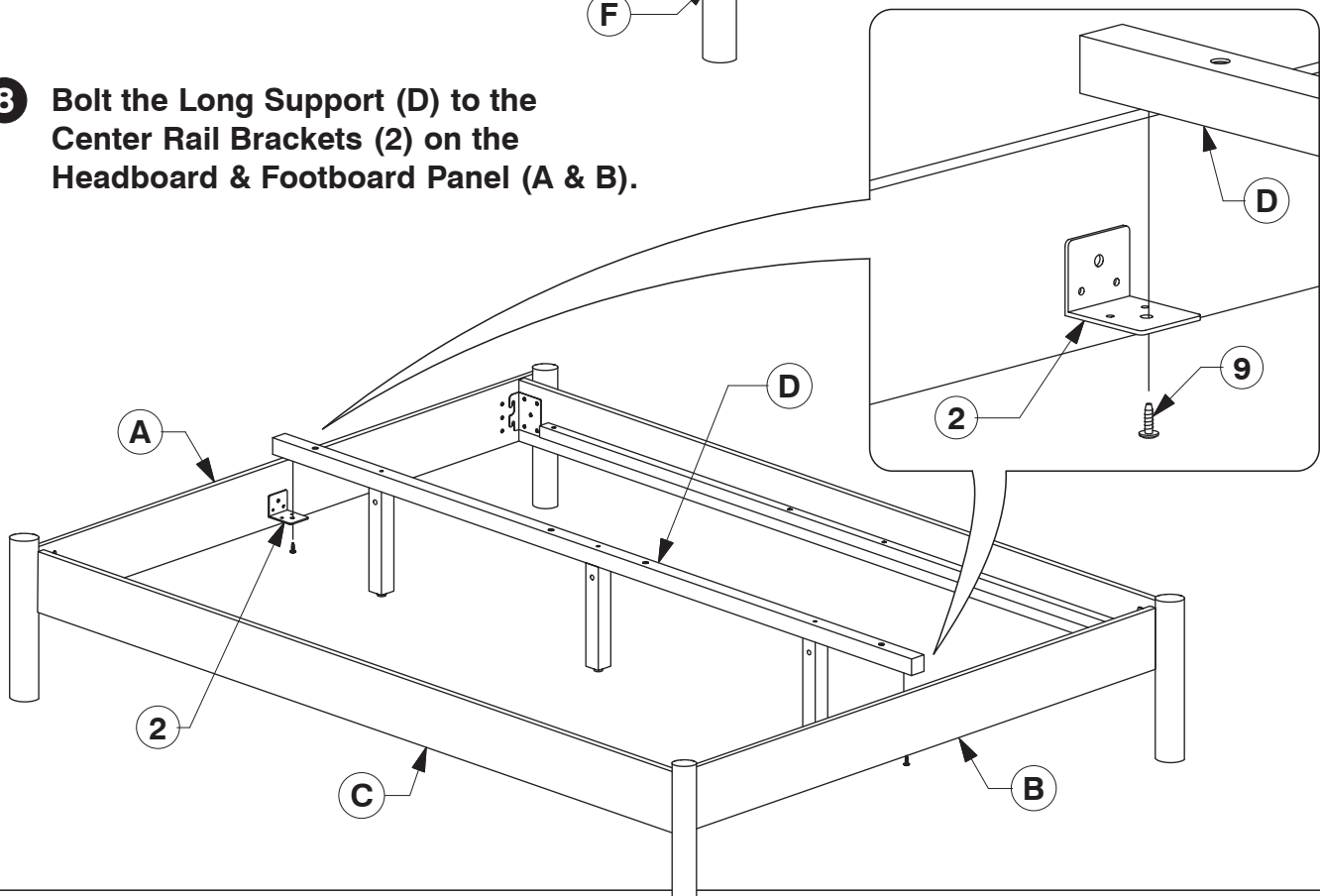
Assembly Instructions

WI-0622

- 7** Assemble the Side Rail (C) to the Headboard & Footboard Panel (A & B).



- 8** Bolt the Long Support (D) to the Center Rail Brackets (2) on the Headboard & Footboard Panel (A & B).

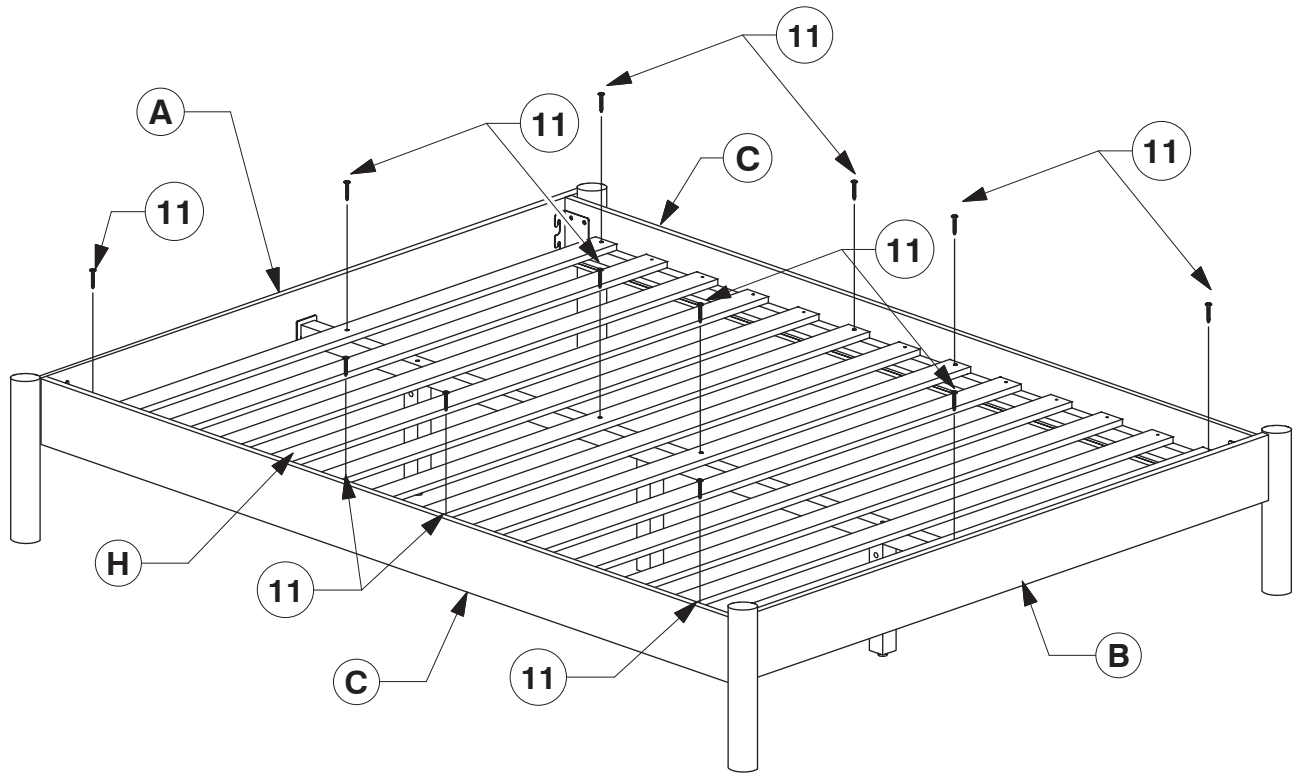


0097-1 Queen Bed

Assembly Instructions

WI-0622

9 Bolt the Bed Slats (H) to the Side Rail (C).



10 Screw the Bed Slats (H) to the Side Rail (C).

