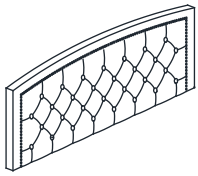
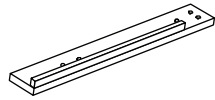


ASSEMBLY INSTRUCTION
SH275BGE-1 & SH275BLU-1 & SH275GRY-1 &
SH275DGR-1 & SH275PNK-1

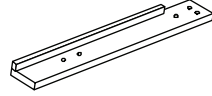
- | | | | | |
|--------------------|----------------------------|----------------------------|--------------------|------------------------|
| 1 Headboard | 2 Headboard Leg (R) | 3 Headboard Leg (L) | 4 Footboard | 5 Footboard Leg |
|--------------------|----------------------------|----------------------------|--------------------|------------------------|



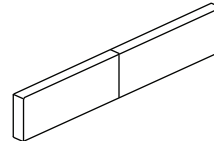
x1



x1



x1

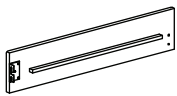


x1



x2

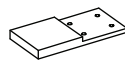
- | | | | | |
|--------------------|--------------------|--------------------------------|---------------|--|
| 6 Side Rail | 7 Side Rail | 8 Side Rail Support Leg | 9 Slat | 10 Support Leg with adjustable feet |
|--------------------|--------------------|--------------------------------|---------------|--|



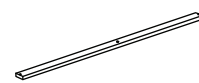
x2



x2



x2



x4

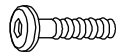


x4

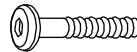
- | | | | | |
|--------------------------|--------------------------|--------------------------|--------------------------|---------------------|
| A Bolts M8 x 20mm | B Bolts M6 x 25mm | C Bolts M6 x 35mm | D Bolts M6 x 70mm | E Wood Dowel |
|--------------------------|--------------------------|--------------------------|--------------------------|---------------------|



x8



x8



x10



x2



x2

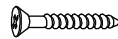
- | | | | | |
|----------------------|----------------------|--------------------------|------------------------------|-------------------------------|
| F Lock Washer | G Flat Washer | H Screw M4 x 32mm | I Allen Key M5 x 65mm | J Allen Key M4 x 100mm |
|----------------------|----------------------|--------------------------|------------------------------|-------------------------------|



x14



x14



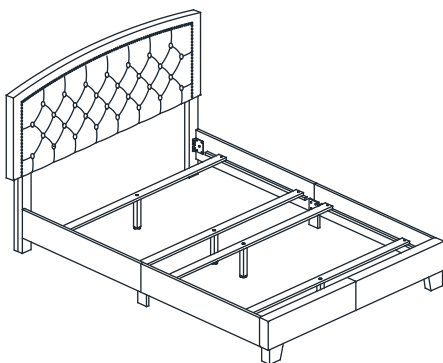
x8



x1



x1

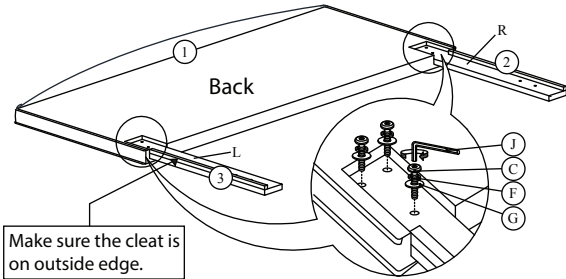


This page lists all the contents included in the box. Please take the time to identify the hardware as well as the individual components to this product. As you unpack and prepare for assembly, place the contents on a carpeted or padded area to protect them from damage.

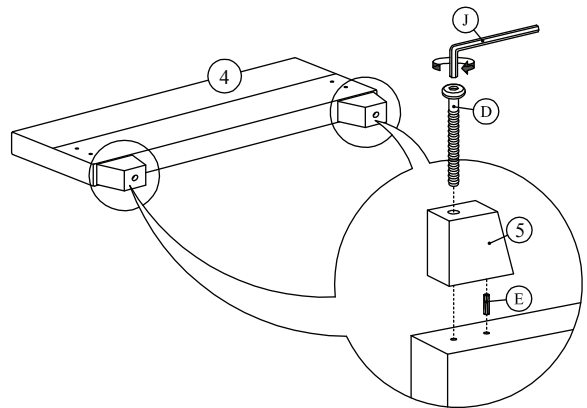
ASSEMBLY INSTRUCTION

SH275BGE-1 & SH275BLU-1 & SH275GRY-1 & SH275DGR-1 & SH275PNK-1

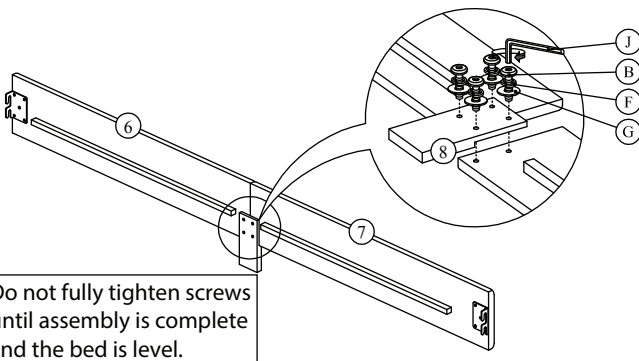
1 Begin assembly by attaching each Headboard Leg (2) & (3) to the bottom of the Headboard (1) by aligning the hole and securing with 3 Allen Bolts (C), 3 Lock Washer (F), 3 Flat Washer (G) per leg using Allen Key (J).
(DO NOT FULLY TIGHTEN BOLTS FOR THIS STEP)



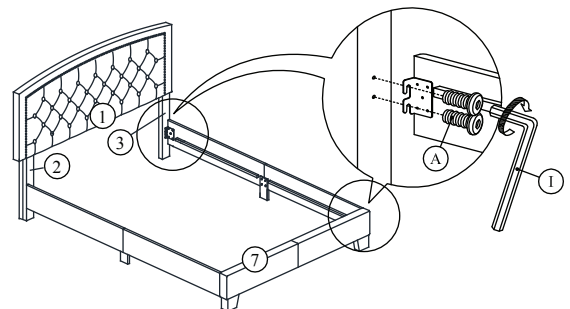
2 Attach each Footboard Legs (5) to the bottom of the Footboard (4) by inserting a Dowel (E) & securing with 1 Allen Bolt (D) per leg using Allen Key (J).



3 Attach Side Rail Support Leg (8) to the join of the Side Rail (6) and Side Rail (7) by securing with 4 Allen Bolts (B), 4 Lock Washer (F), 4 Flat washer (G) per support using Allen Key (J).

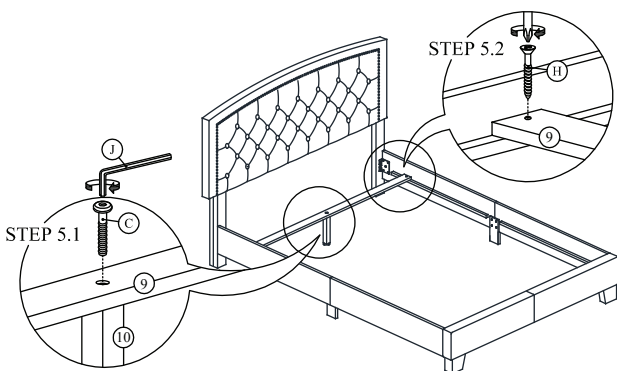


4 Attach Side Rail to the Headboard Leg (2) & (3) and Footboard (4). Aligning holes and securing with 2 Allen Bolts (A) per each and using Allen Key (I).
(DO NOT FULLY TIGHTEN BOLTS FOR THIS STEP)



Do not fully tighten screws until assembly is complete and the bed is level.

5 Attach Support Legs (10) to Slat (9) by securing with 1 Allen Bolt (C) per support leg. Attach Slat (9) to Side Rail by securing with 1 Screw (H) per each side. Tighten all screws using philips head screw driver (NOT INCLUDED). Tighten all bolts on step 3 & 4 using Allen Key (K) & tighten bolts on step 5 using Allen Key (J).



Cleaning & Care

Treat surface with care. Surface is resistant to scratches but is not scratch resistant. Clean surfaces with a dry or damp soft cloth. Do not use abrasive cleaners. Hardware may loosen over time. Periodically check that all connections are tight.