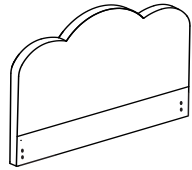


PARTS LIST / LISTE DES PIÈCES / LISTA DE PIEZAS

ITEM NO./NO D'ARTICLE./ARTICULO NO: DS-D583-292-1 / 2 / 3

DESCRIPTION/ LA DESCRIPTION/ DESCRIPCIÓN: Arched Platform Queen Bed - Rainforest / Rose / Gray
/ Grand lit / Cama queen



A

x1 Headboard
x1 Tête de lit
x1 Cabecera



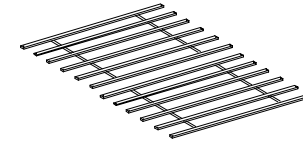
B

x2 Center support*
x2 Supports centraux
x2 Soportes centrales



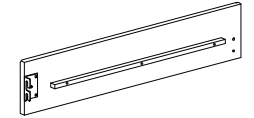
C

x1 Footboard
x1 Pied De Lit
x1 Pie DeCama



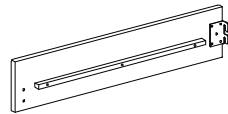
D

x2 Slats*
x2 Lattes
x2 Listones



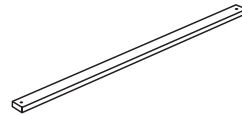
E

x2 Side rail
x2 Côtés de lit
x2 Riel lateral



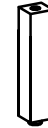
F

x2 Side rail
x2 Côtés de lit
x2 Riel lateral



G

x2 Center Rail*
x2 Rail central
x2 Carril central



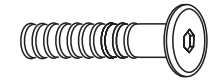
H

x4 Slat Support Legs*
x4 Pattes de supports
x4 Patas de apoyo de listones



I

x6 Leg*
x6 Patte
x6 Pata



J

x8 Allen bolt (M6 x 40mm)*
x8 Vis à tête creuse hexagonale (M6 x 40mm)
x8 Perno Allen (M6 x 40mm)



K

x4 Allen bolt (M6 x 50mm)*
x4 Vis à tête creuse hexagonale (M6 x 50mm)
x4 Perno Allen (M6 x 50mm)



L

x8 Allen bolt (M8 x 25mm)*
x8 Vis à tête creuse hexagonale (M8 x 25mm)
x8 Perno Allen (M8 x 25mm)



M

x6 Plastic Washers*
x6 Rondelles en plastique
x6 Arandelas de plástico



N

x12 Spring Washer M6*
x12 Rondelle à ressort M6
x12 Arandela auto-bloquante M6



O

x8 Flat Washer M6*
x8 Rondelle Plate M6
x8 Arandela Plana M6



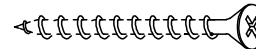
P

x1 Allen Wrench M4*
x1 Clé Hexagonale M4
x1 Llave Allen M4



Q

x1 Allen Wrench M5*
x1 Clé Hexagonale M5
x1 Llave Allen M5



R

x24 Screw (M4 x 32mm)*
x24 Vis (M4 x 32mm)
x24 Tornillo (M4 x 32mm)

**Replaceable Part*

ASSEMBLY INSTRUCTIONS/ NOTICE DE MONTAGE/ INSTRUCCIONES DE MONTAJE

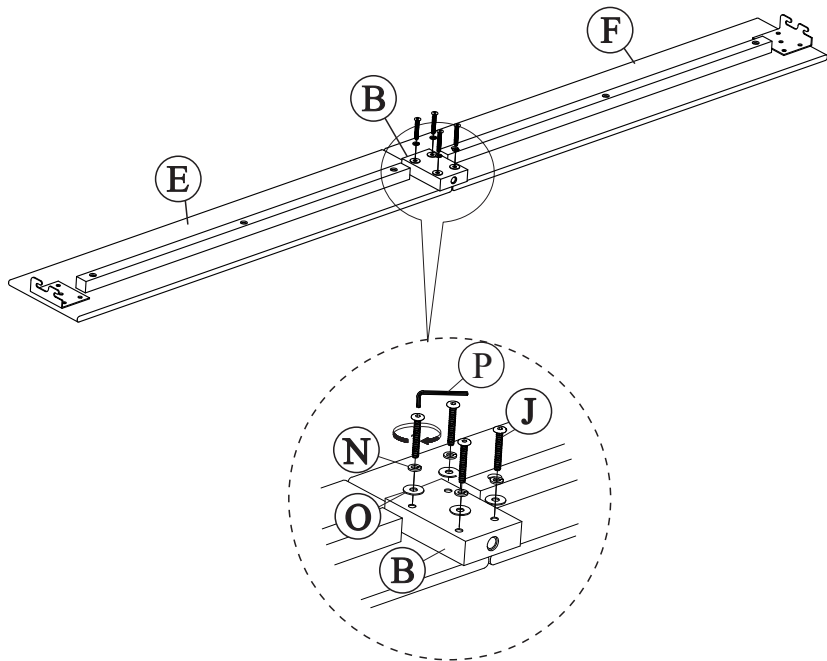
ITEM NO./NO D'ARTICLE./ARTICULO NO: DS-D583-292-1 / 2 / 3

DESCRIPTION/ LA DESCRIPTION/ DESCRIPCIÓN: Arched Platform Queen Bed - Rainforest / Rose / Gray
/ Grand lit / Cama queen

STEP 1

ÉTAPE 1

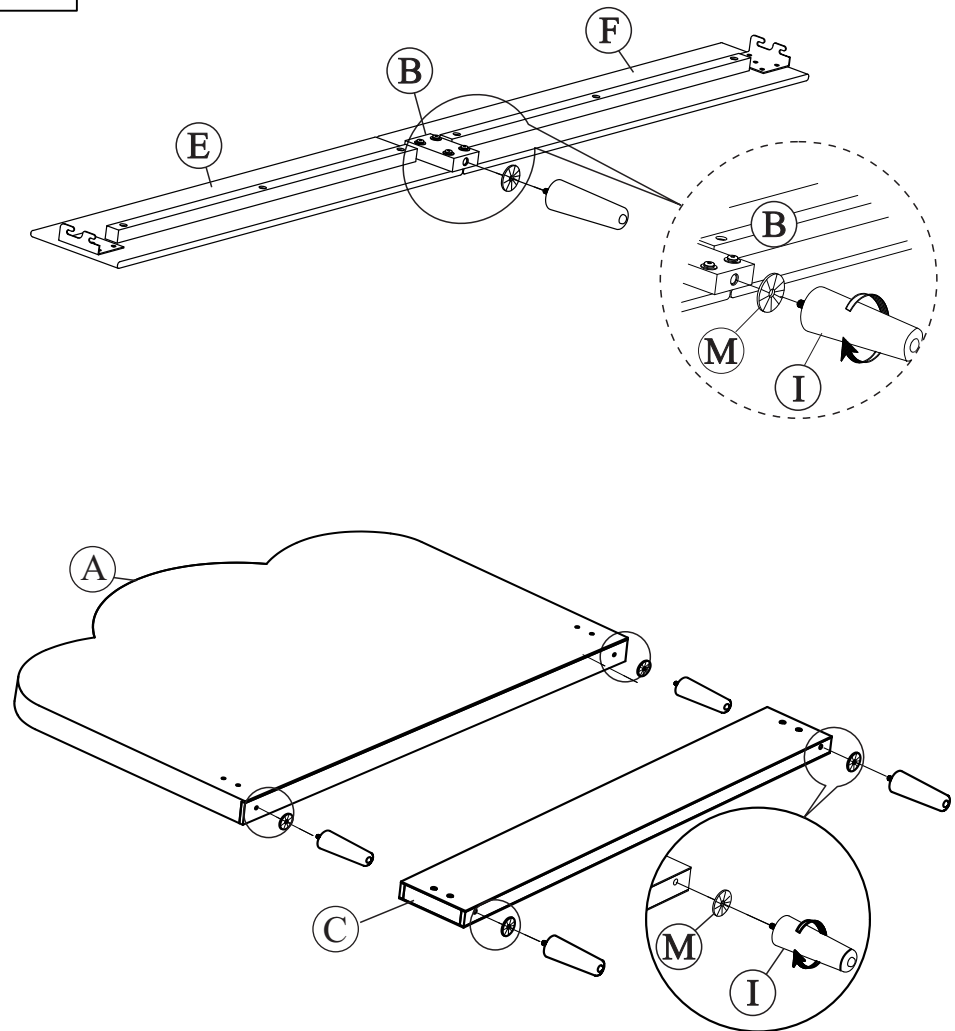
PASO 1



STEP 2

ÉTAPE 2

PASO 2



ASSEMBLY INSTRUCTIONS/ NOTICE DE MONTAGE/ INSTRUCCIONES DE MONTAJE

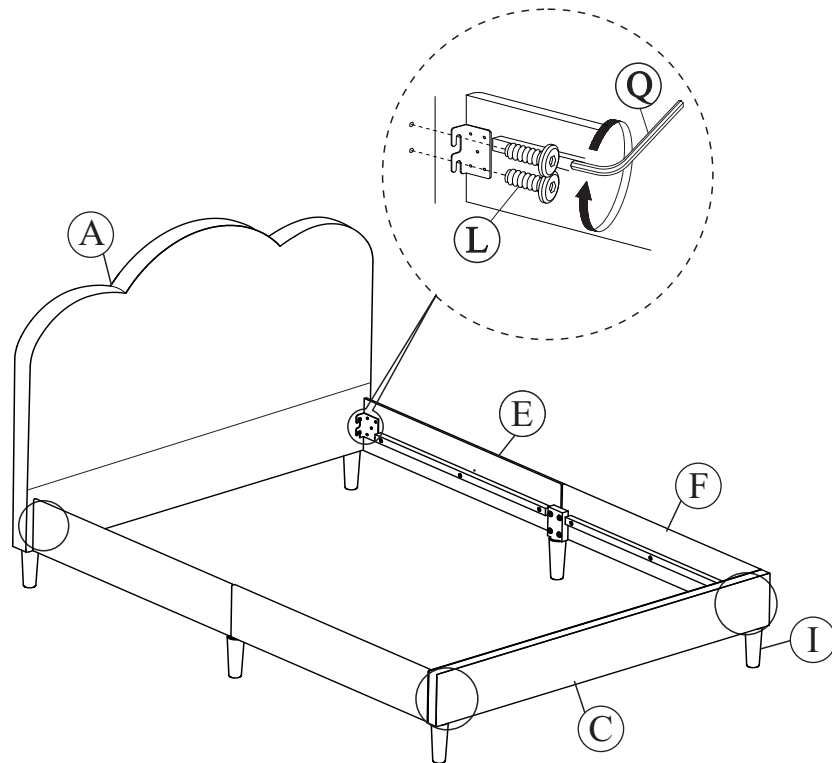
ITEM NO./NO D'ARTICLE./ARTICULO NO: DS-D583-292-1 / 2 / 3

DESCRIPTION/ LA DESCRIPTION/ DESCRIPCIÓN: Arched Platform Queen Bed - Rainforest / Rose / Gray
/ Grand lit / Cama queen

STEP 3

ÉTAPE 3

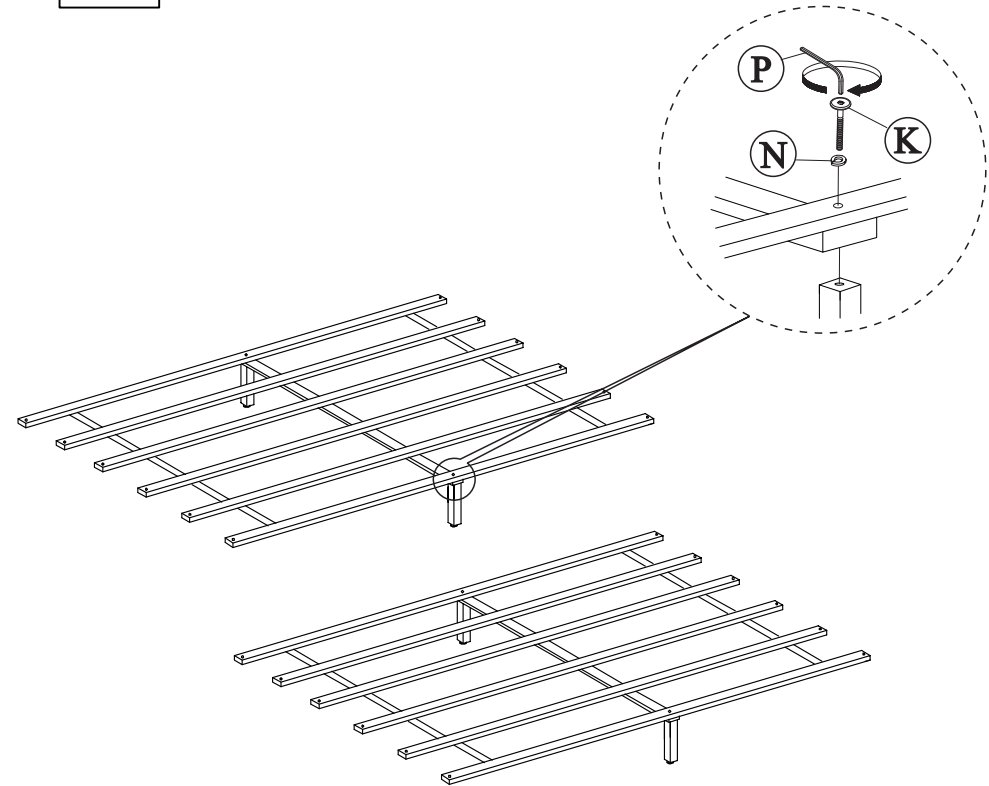
PASO 3



STEP 4

ÉTAPE 4

PASO 4



ASSEMBLY INSTRUCTIONS/ NOTICE DE MONTAGE/ INSTRUCCIONES DE MONTAJE

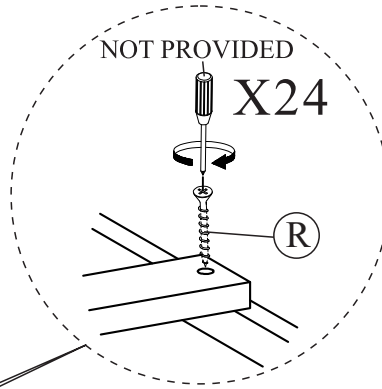
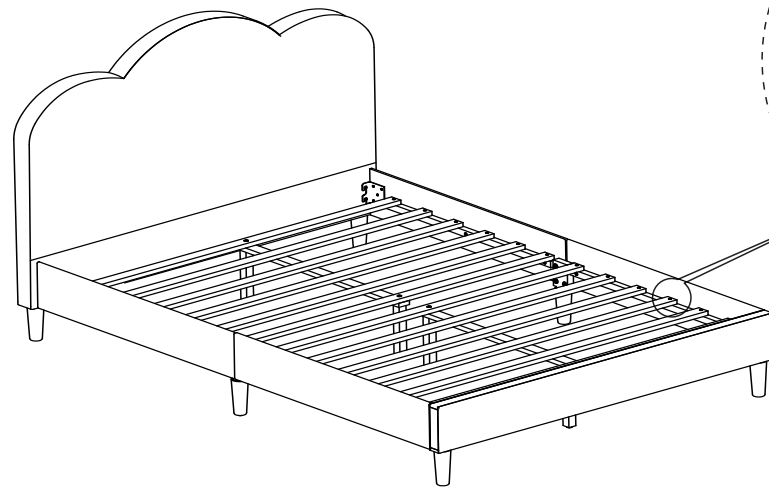
ITEM NO./NO D'ARTICLE./ARTICULO NO: DS-D583-292-1 / 2 / 3

DESCRIPTION/ LA DESCRIPTION/ DESCRIPCIÓN: Arched Platform Queen Bed - Rainforest / Rose / Gray
/ Grand lit / Cama queen

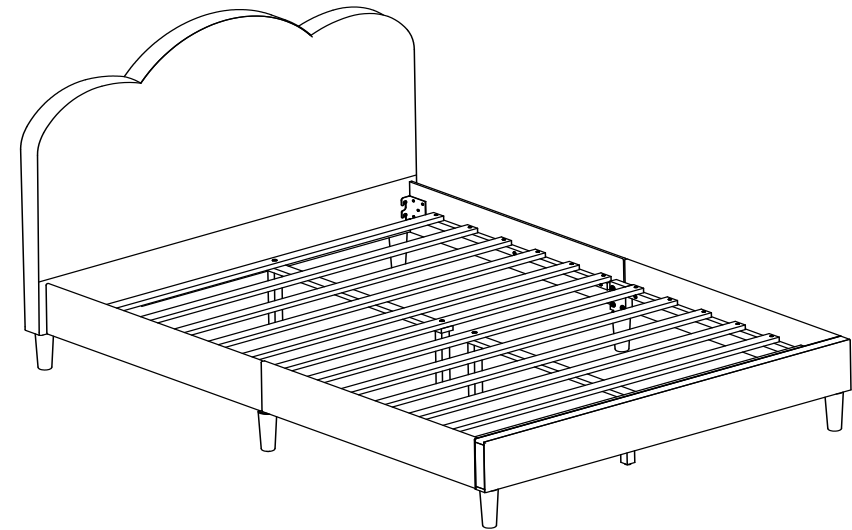
STEP 5

ÉTAPE 5

PASO 5



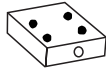
Complete
Terminé
Terminado



REPLACEABLE PART / PARTIE REMPLAÇABLE / PARTE REEMPLAZABLE

ITEM NO./NO D'ARTICLE./ARTICULO NO: DS-D583-292-1 / 2 / 3

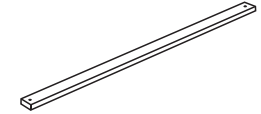
DESCRIPTION/ LA DESCRIPTION/ DESCRIPCIÓN: Arched Platform Queen Bed - Rainforest / Rose / Gray
/ Grand lit / Cama queen



X2 RD583-292-CESUPP*
Center support
Supports centraux
Soportes centrales



X2 RD583-292-SLAT*
Slats
Lattes
Listones



X2 RD583-292-CERAIL*
Center Rail
Rail central
Carril central



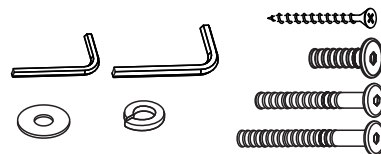
X4 RD583-292-SULEG*
Slat Support Legs
Pattes de supports
Patas de apoyo de listones



X6 RD583-292-LEG*
Leg
Patte
Pata



X6 RD583-292-WASH*
Plastic Washers
Rondelles en plastique
Arandelas de plástico



x1 RD583-292-HWKIT*
Hardware Kit
Liste Des Pièces De quincaillerie
Lista del kit de materiales

**Replaceable Part*

Protect Your Wood or Laminate Flooring

*This statement applies to any floor without carpet.

If not careful, all furniture including upholstery and case pieces can scratch, scuff and even gouge floors. The recommendation is to have felt, rubber pads or area rugs under furniture on flooring without carpet.

Moving your furniture

Pushing and dragging furniture over floors without carpet can lead to scratches and scuffs. Have someone help when moving the larger pieces of furniture by lifting, try using a dolly or moving pads.

Felt and rubber pads

Applying furniture pads to the feet of furniture helps cushion contact points. Furniture pads can be found at local hardware stores. Felt pads slide easily across the floor, making them ideal for dining chairs and other pieces that move with use. Rubber pads will help furniture stay in place and are perfect for larger pieces, like sofas and loveseats.

Area rugs and rug pads

Using an area rug under furniture is another way to protect your floor from scratches and scuff marks. A rug pad under the area rug will provide extra cushion and added protection.