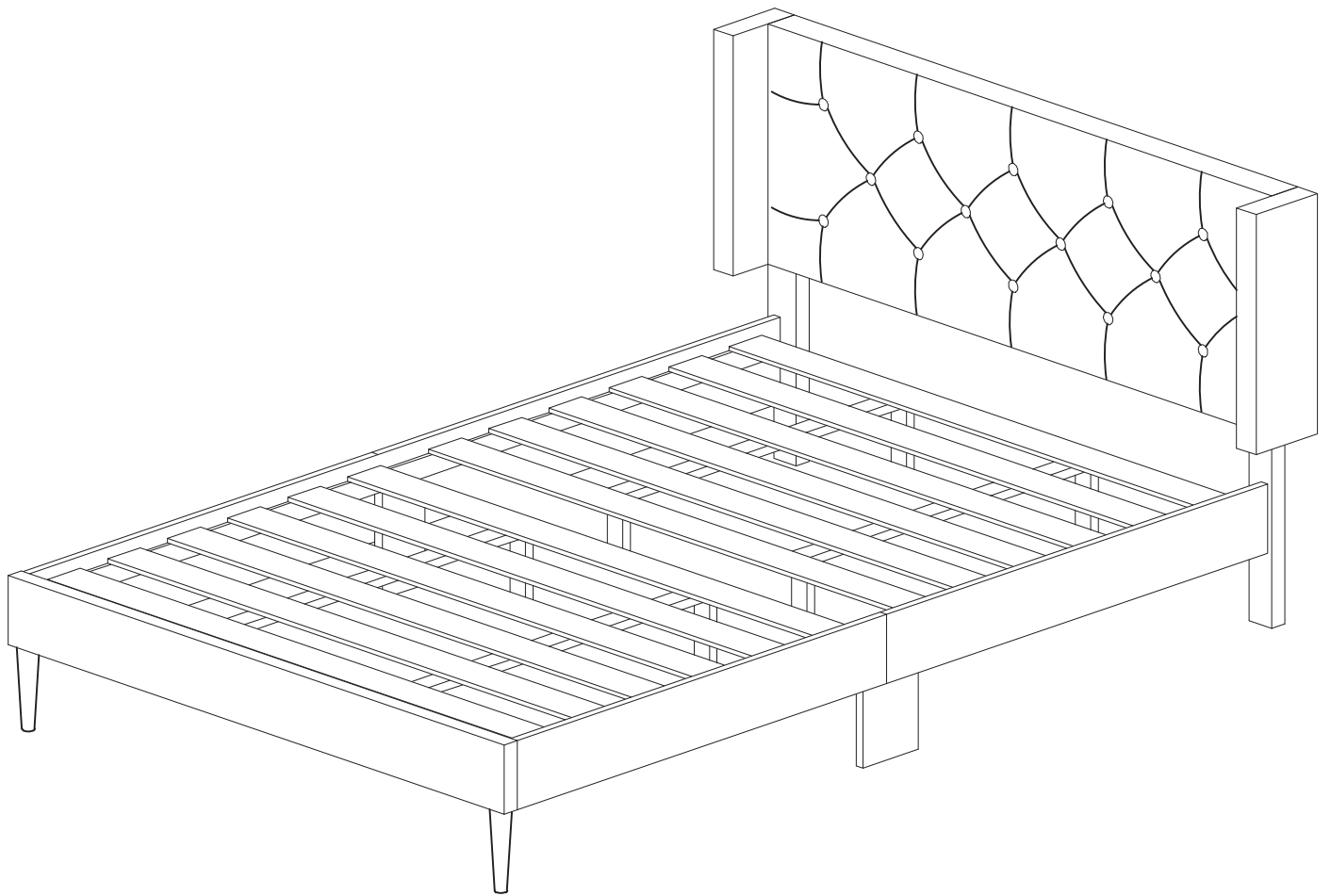


ovis

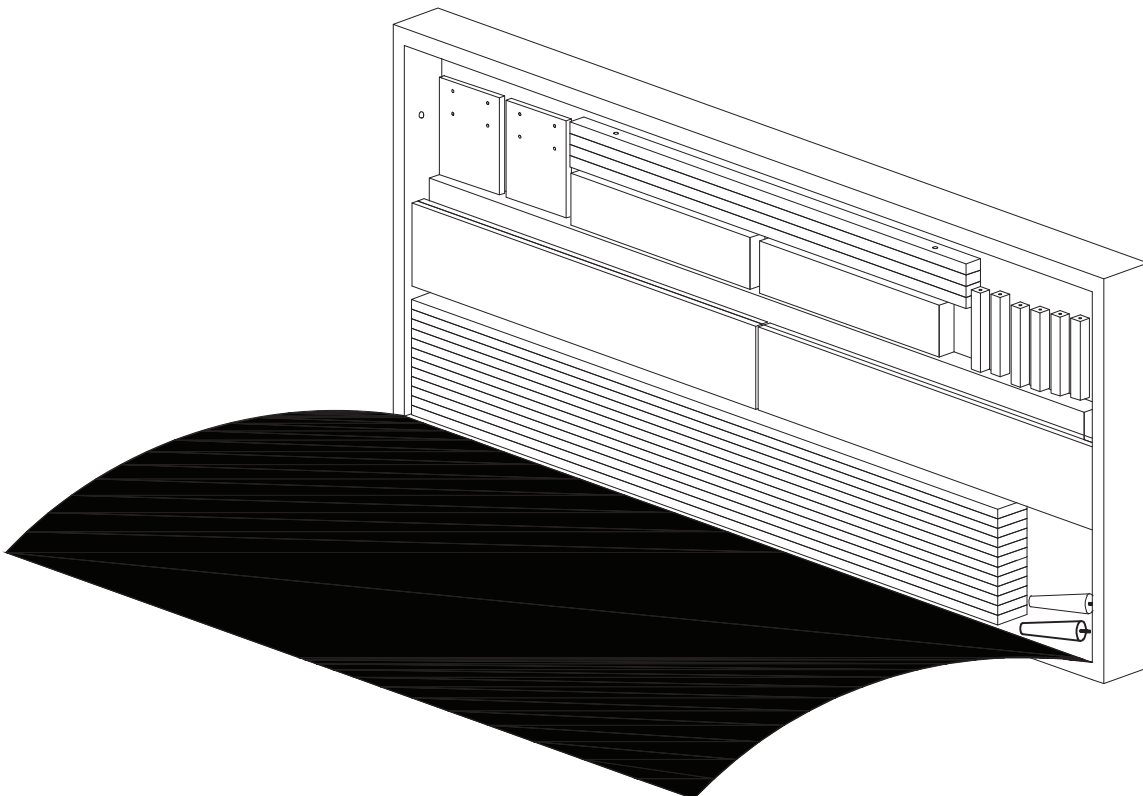


AL32028KG

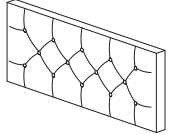

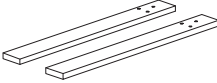

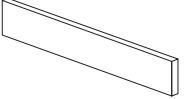

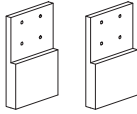

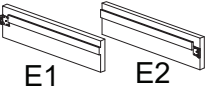


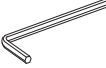
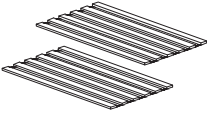
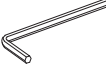
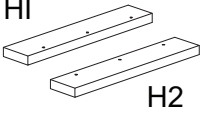

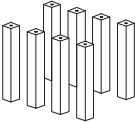

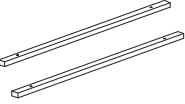
PLEASE DO NOT RETURN TO STORE!

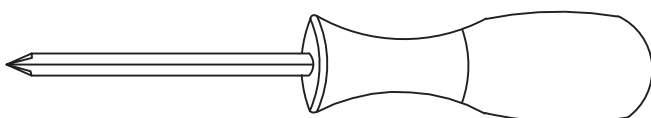
Email our support team: help@ovis.co

Bed Parts are Inside the Headboard Panels. Open Velcro Back Panels to Find parts for Assembly.



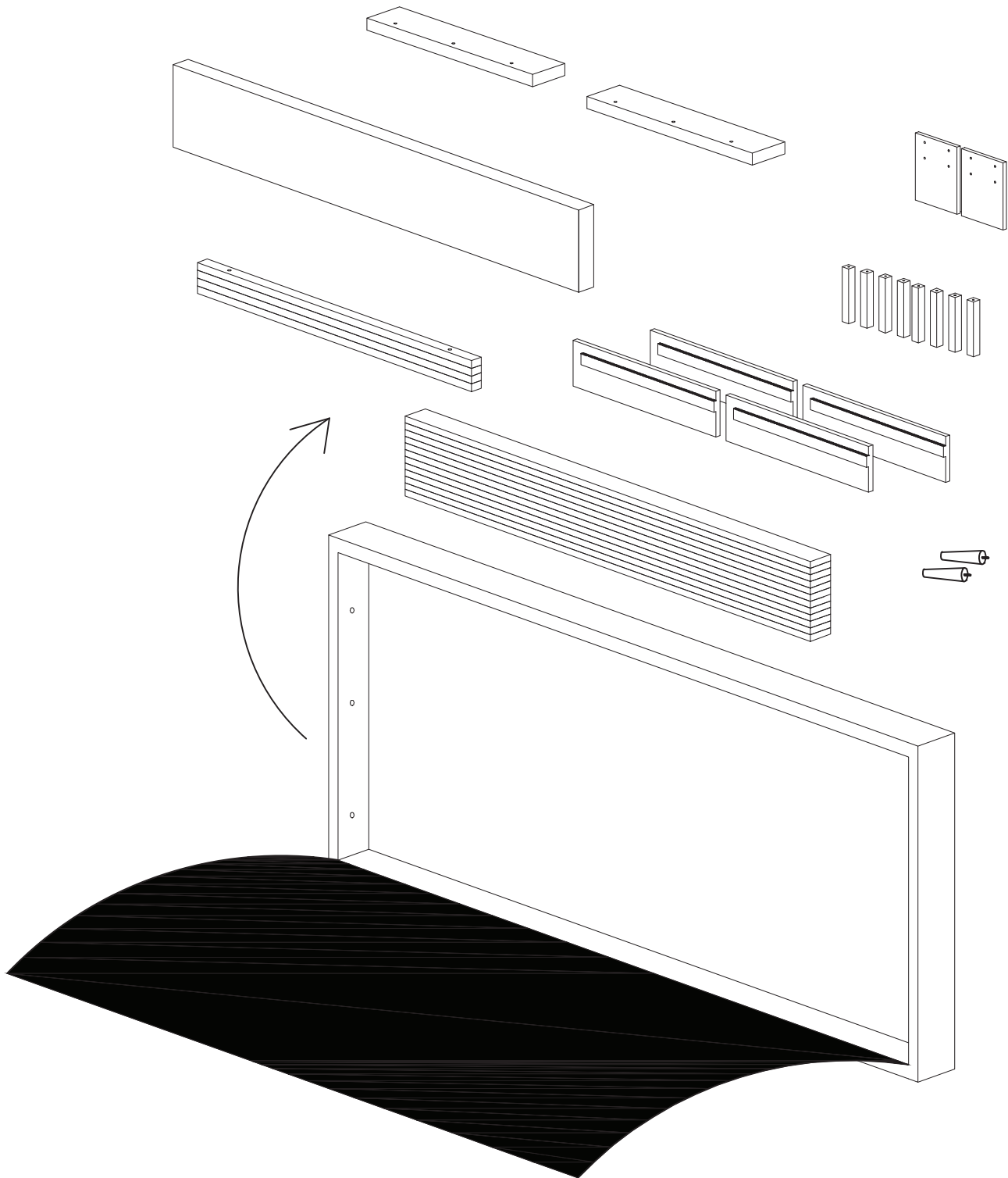
PARTS AND HARDWARE / PIEZAS Y HARDWARE

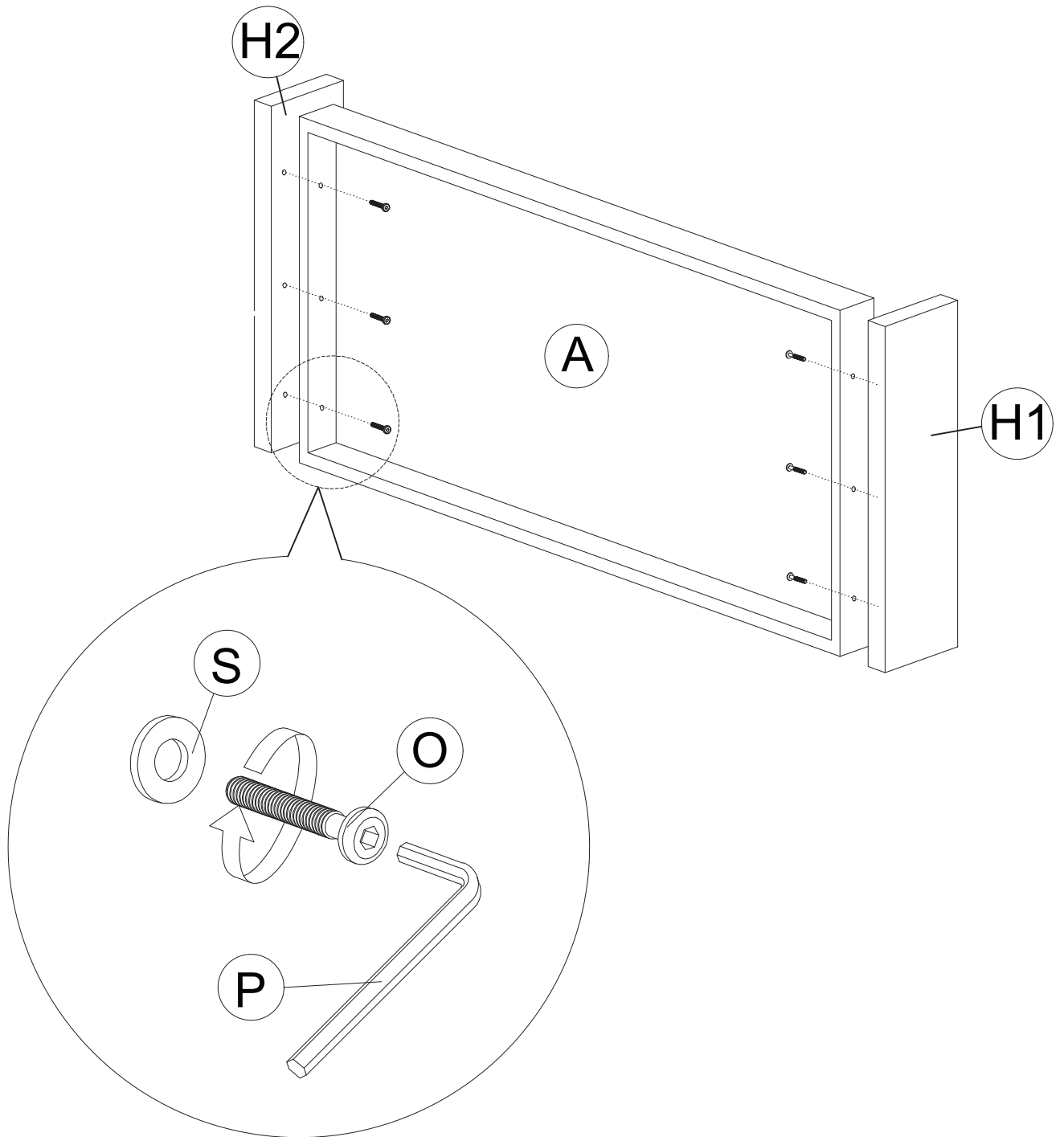
No.	SKETCH ESQUEMA	DESCRIPTION La Description	QTY CANTIAD	No.	SKETCH ESQUEMA	DESCRIPTION La Description	QTY CANTIAD
A		Headboard Panel Panel De La Cabecera	1Pcs	K		Screw M4x32mm Tornillo M4x32mm	8Pcs
B		Headboard Leg Panel De Cabecera	2Pcs	L		Allen bolt M8x20mm Perno Allen M8x20mm	8Pcs
C		Footboard Pie De Cama	1Pcs	M		Allen bolt M6x30mm Perno Allen M6x30mm	8Pcs
D		Center Support Soportes Centrales	2Pcs	N		Allen bolt M6x35mm Perno Allen M6x35mm	6Pcs
E		Side Rail Largueros Lateral	4Pcs	O		Allen bolt M6x45mm Perno Allen M6x45mm	14Pcs
F		Footboard Leg Patas Del Pie De Cama	2Pcs	P		Allen Key M4x60mm Llave Allen Mx60mm	1Pcs
G		Slat Roll Rollor De Listones	2Pcs	Q		Allen Key M5x70mm Llave Allen M5x70mm	1Pcs
H		Headboard Post Panel De Cabecera	2Pcs	S		Flat Washer M6 Arandela plana M6	14Pcs
I		Slat Support Legs Tas De Apoyo De Listones	8Pcs	T		Spring Washer M6 Arandela De Resorte M6	6Pcs
J		Center Slats Listones	4Pcs	help@ovis.co			

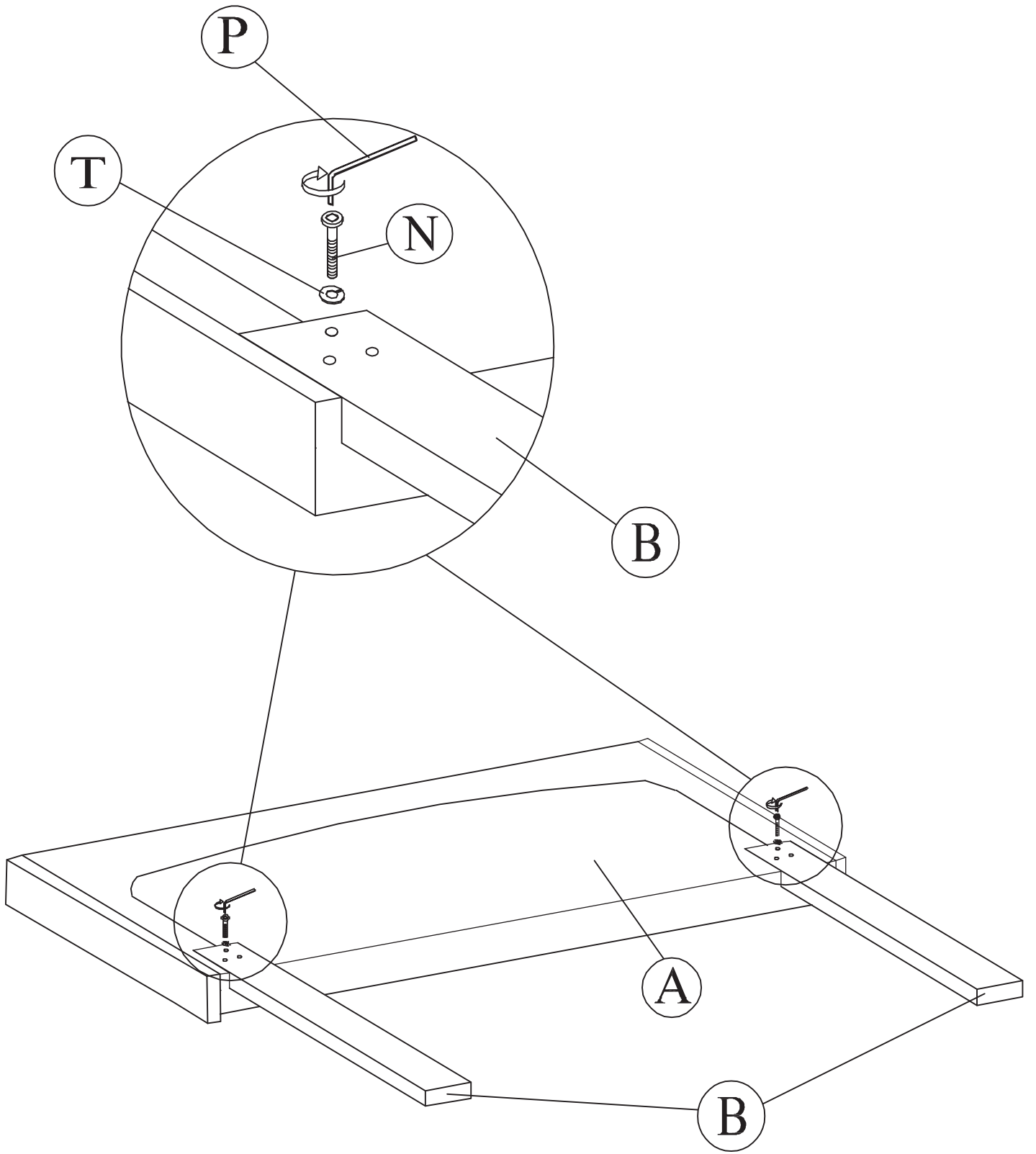


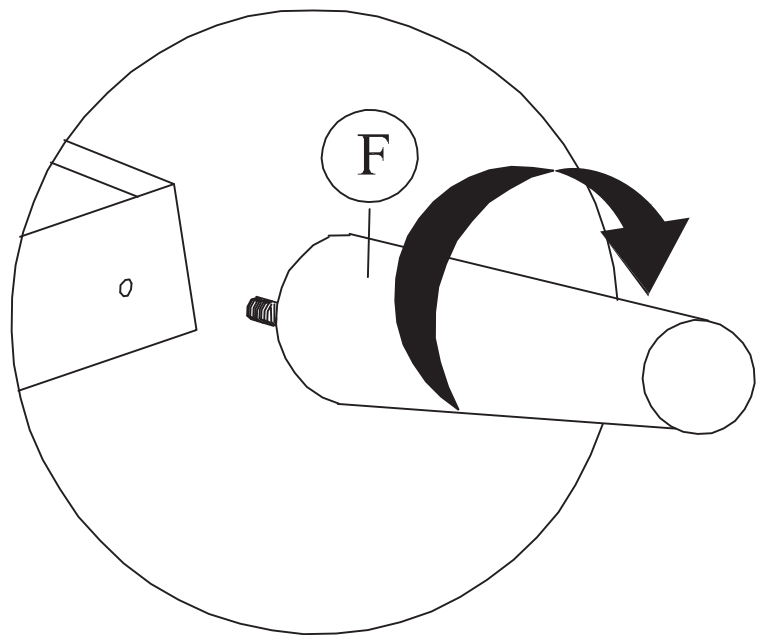
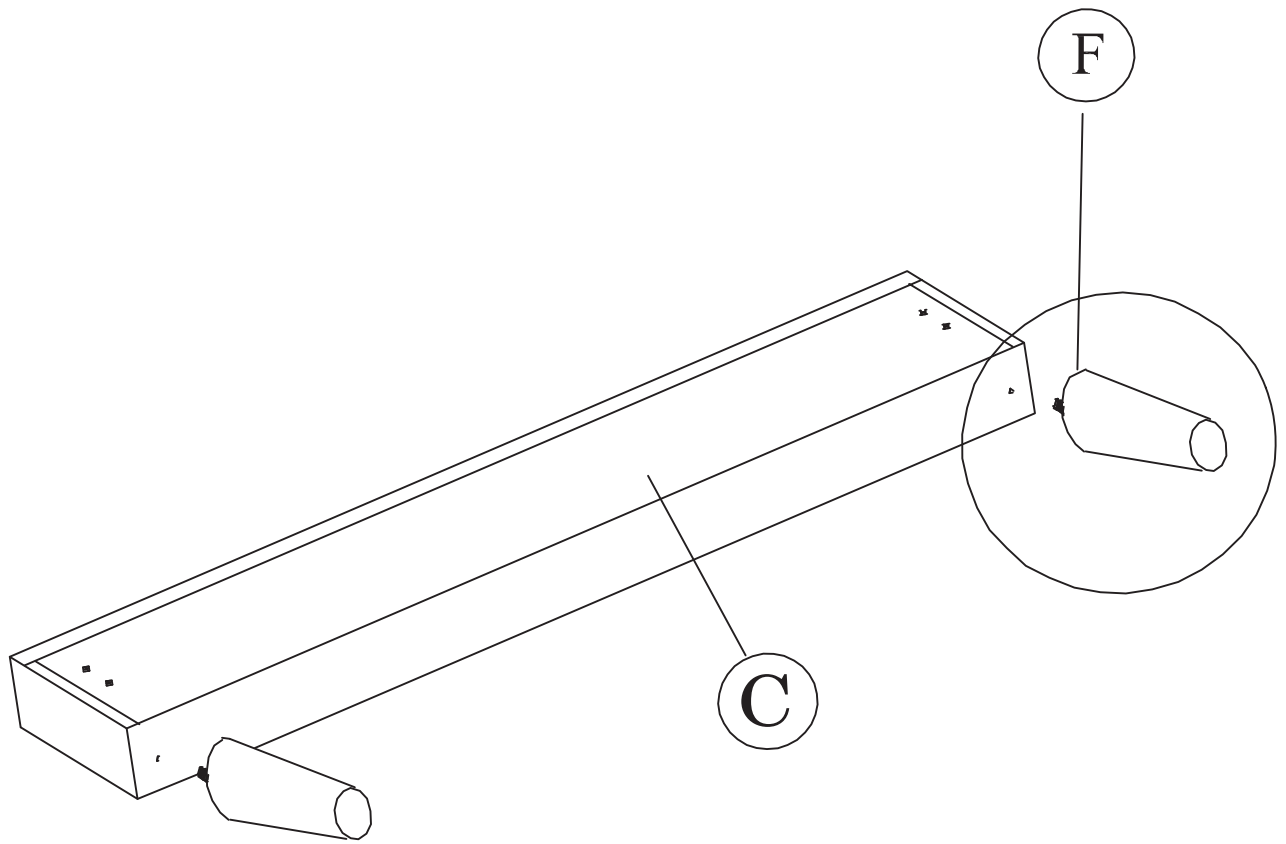
**PHILLIPS SCREWDRIVER
REQUIRED
(NOT INCLUDED)**

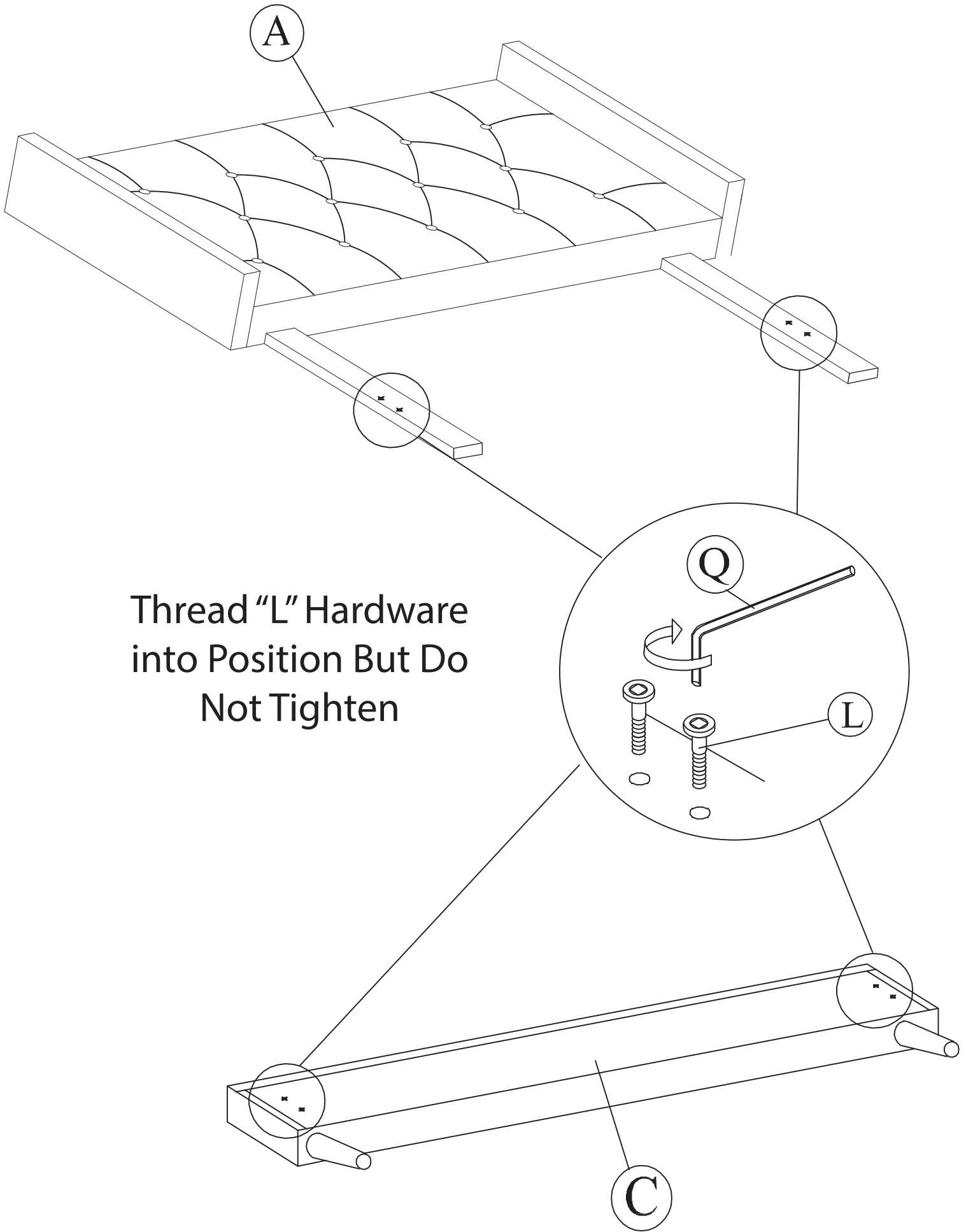
Open Velcro Back Panels to Remove All Parts for Assembly.

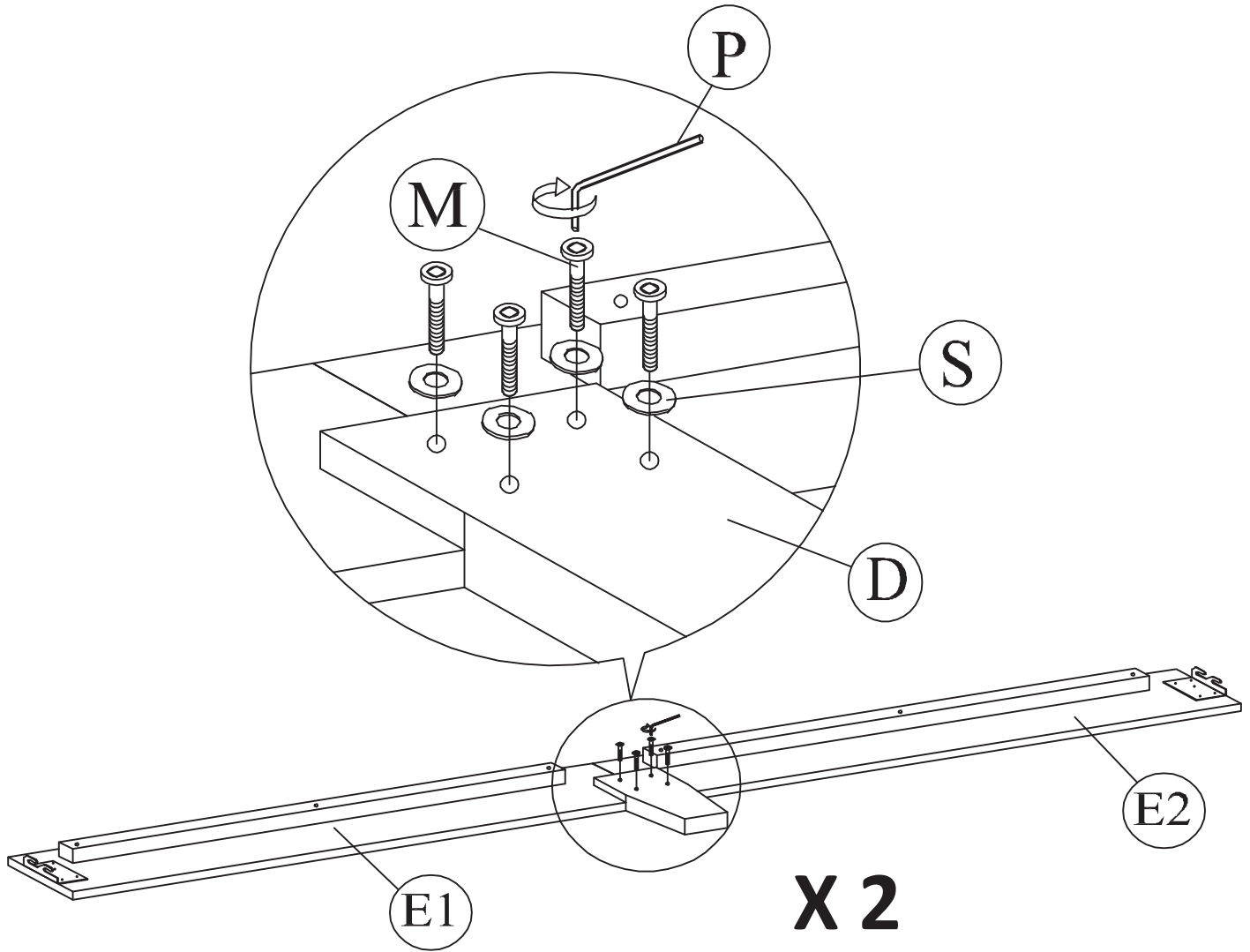


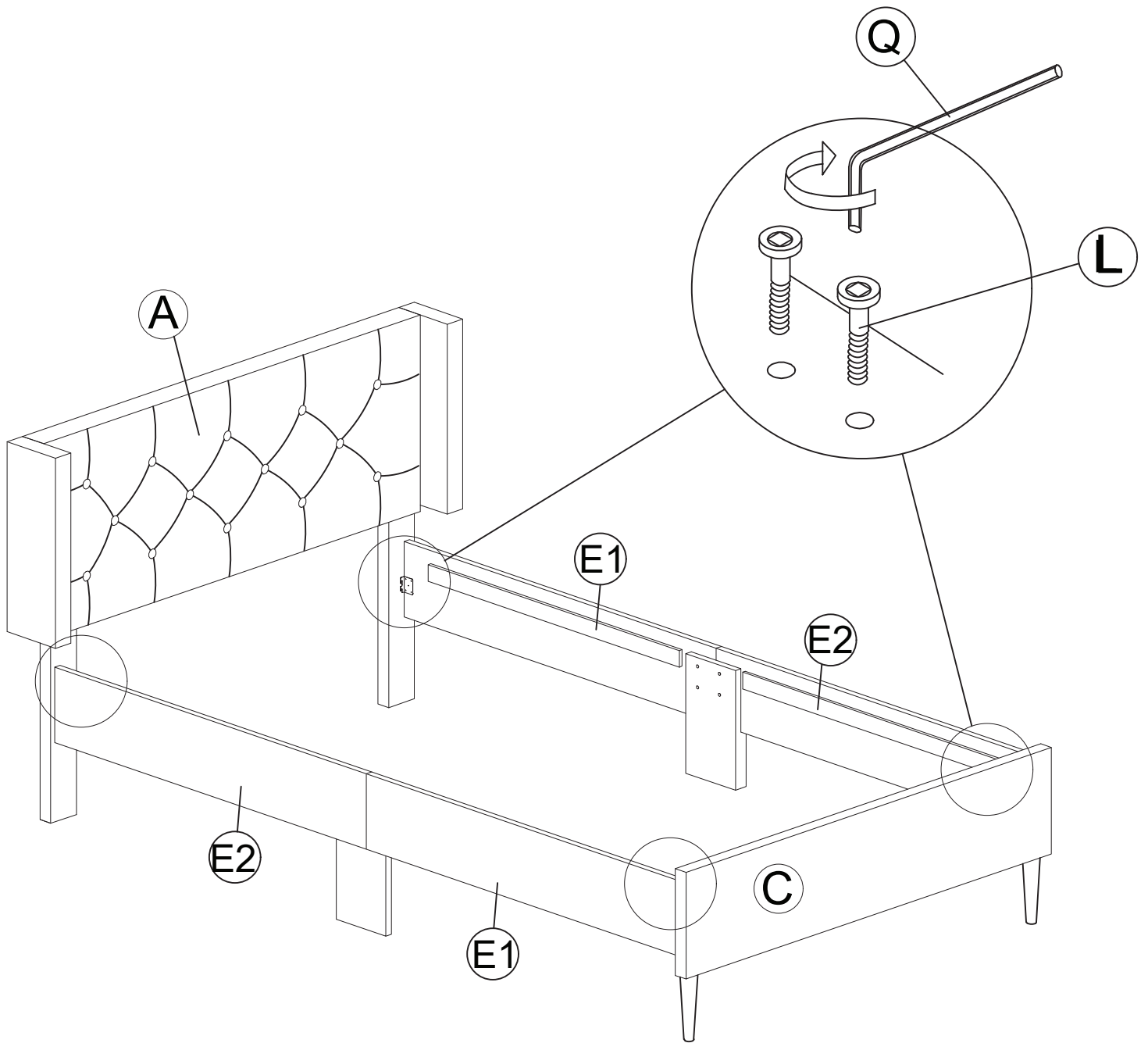


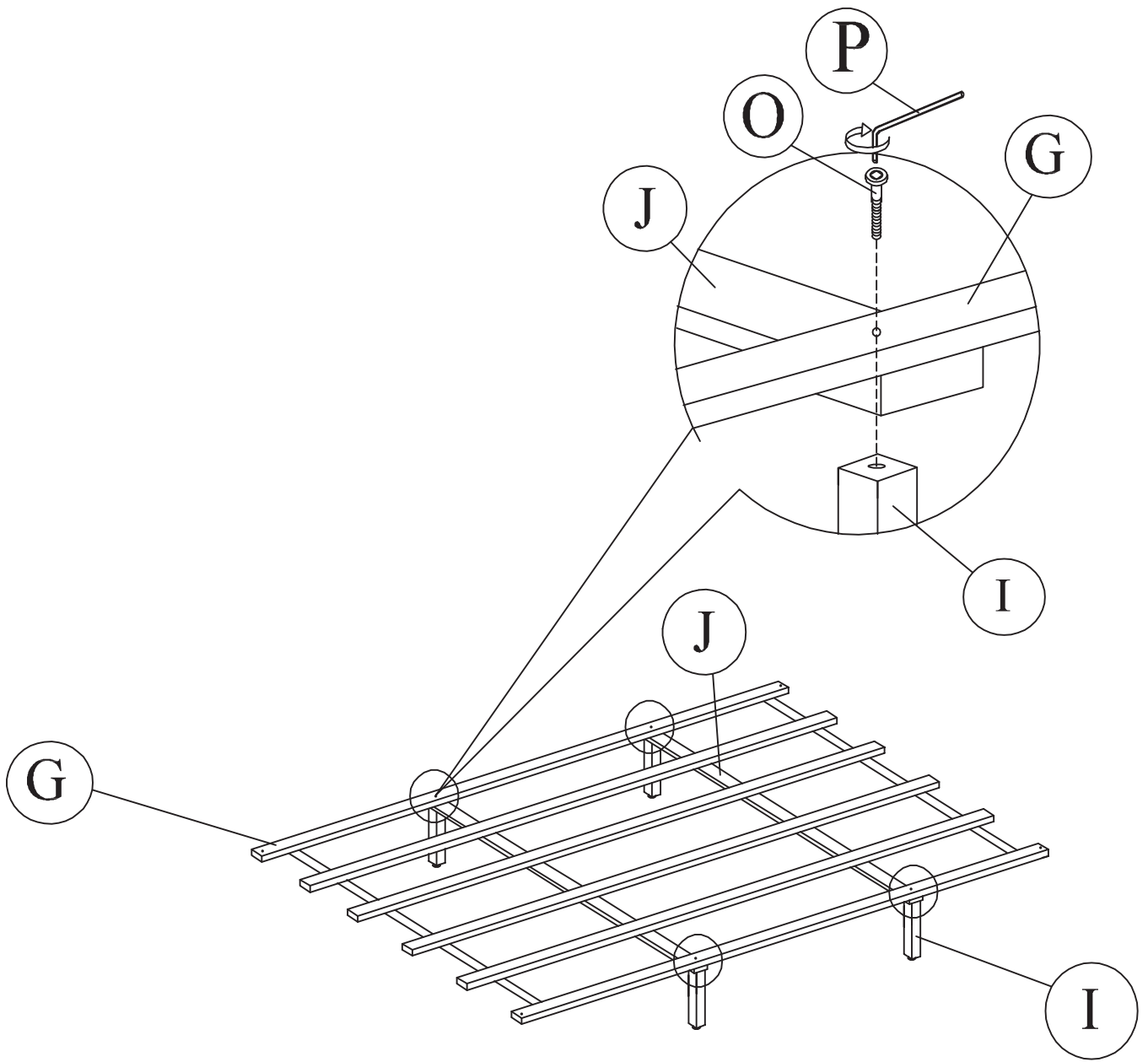




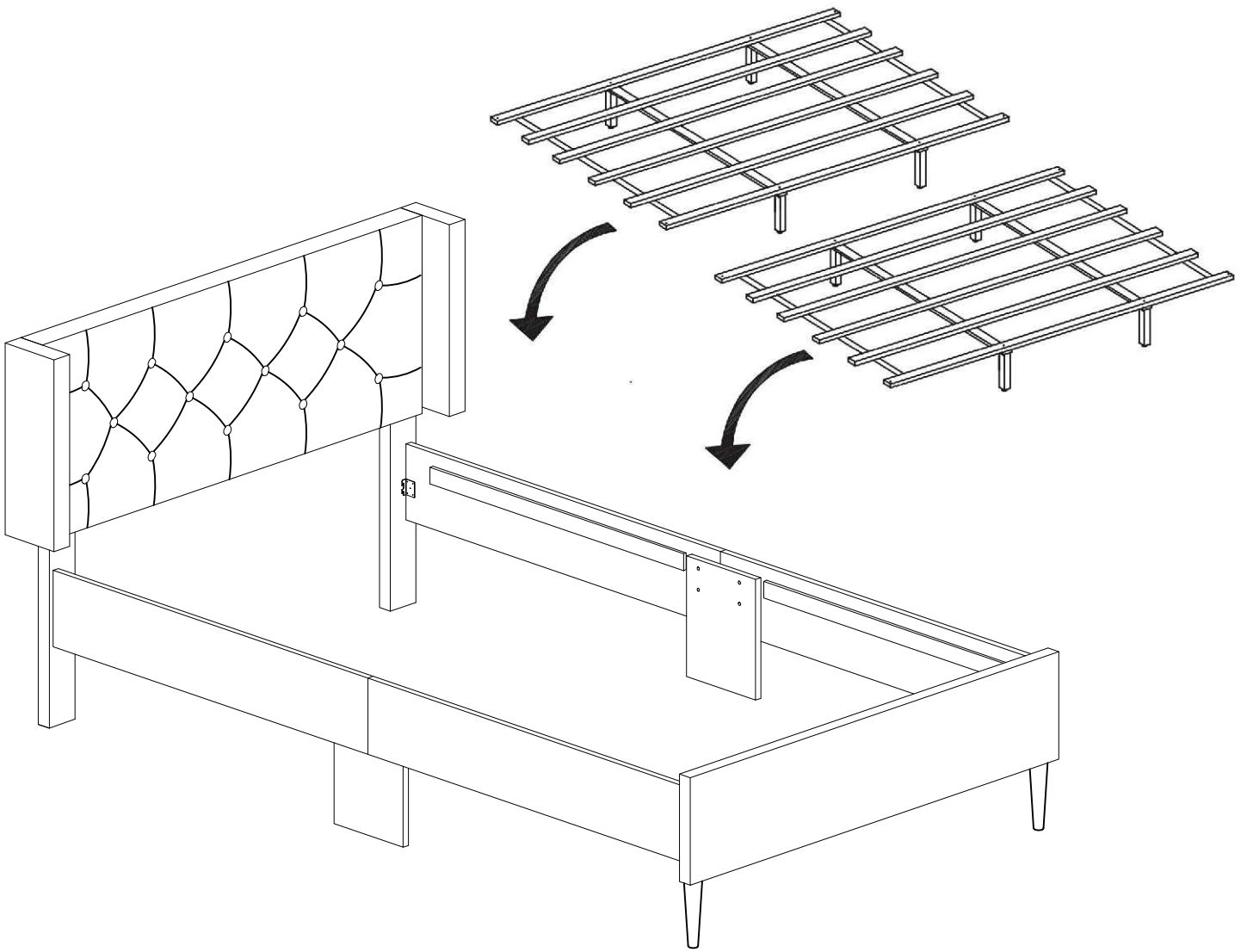


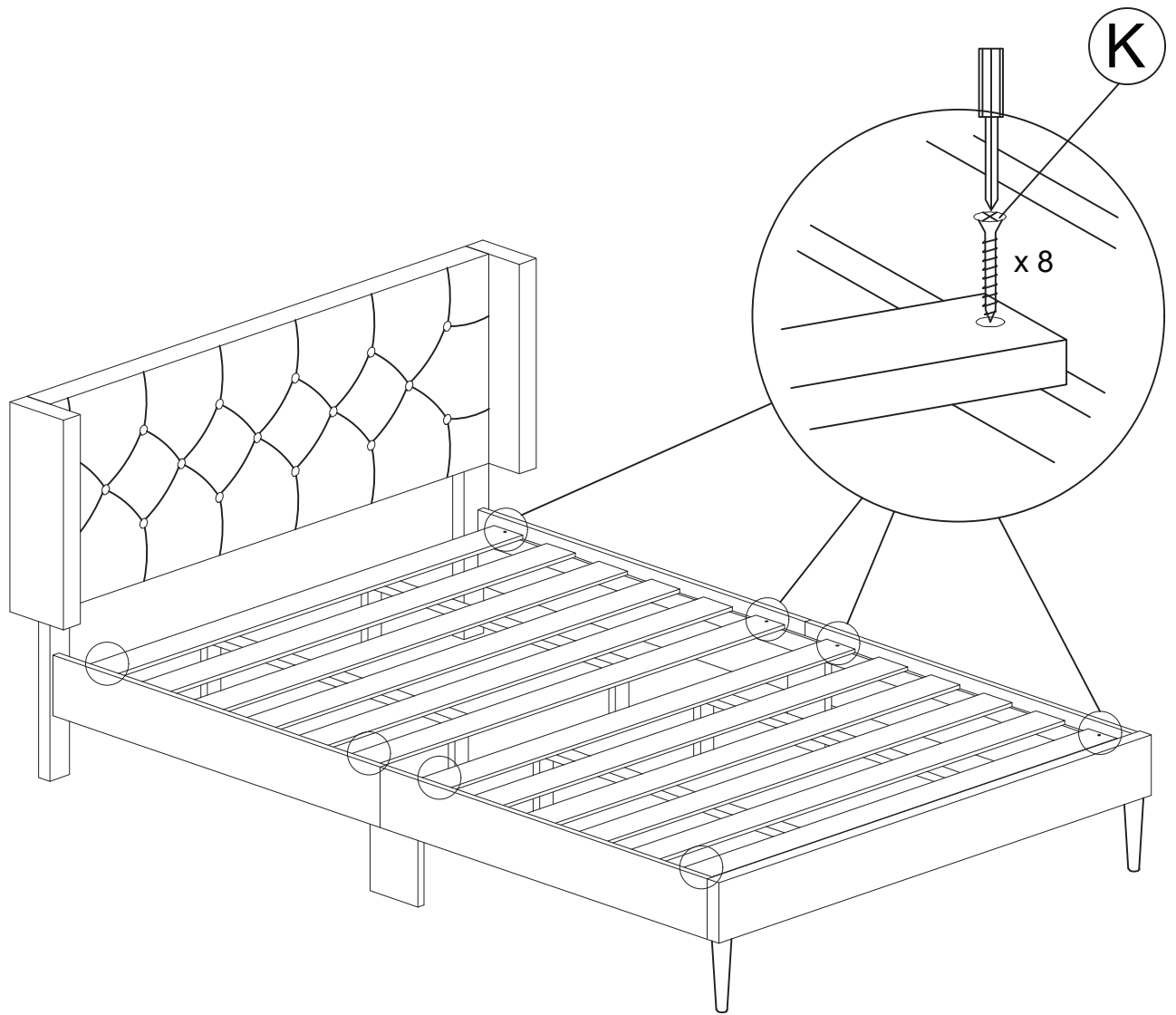






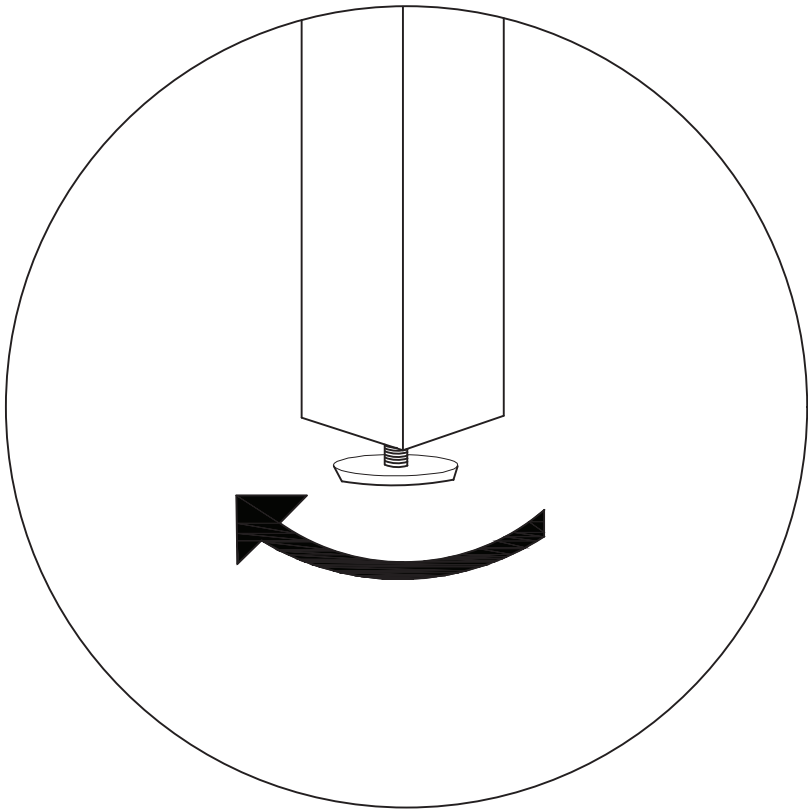
X 2





Use Screwdriver to Install
"K" Screws Through Each
Slat into Side Rail Cleat

Adjust Slat Leveling Feet to Touch Floor



x4

NEED ADDITIONAL HELP?

Email our support team: help@ovis.co

CAUTION:

Do not attempt to move the bed when fully assembled. This could result in damage to the rails, headboard, or footboard.

When placing furniture on non-carpeted flooring, we recommend the use of floor protection such as an area rug or furniture pads. Area rugs and padding not included with purchase.