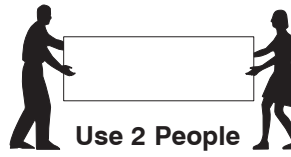
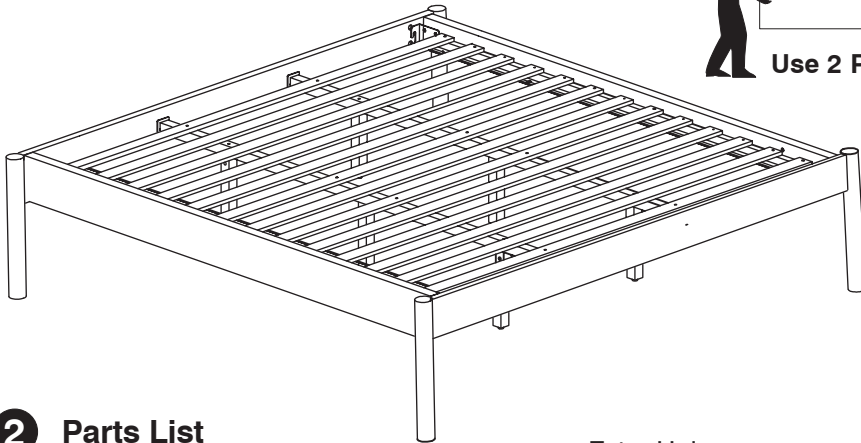


0097-1 King Bed

Assembly Instructions

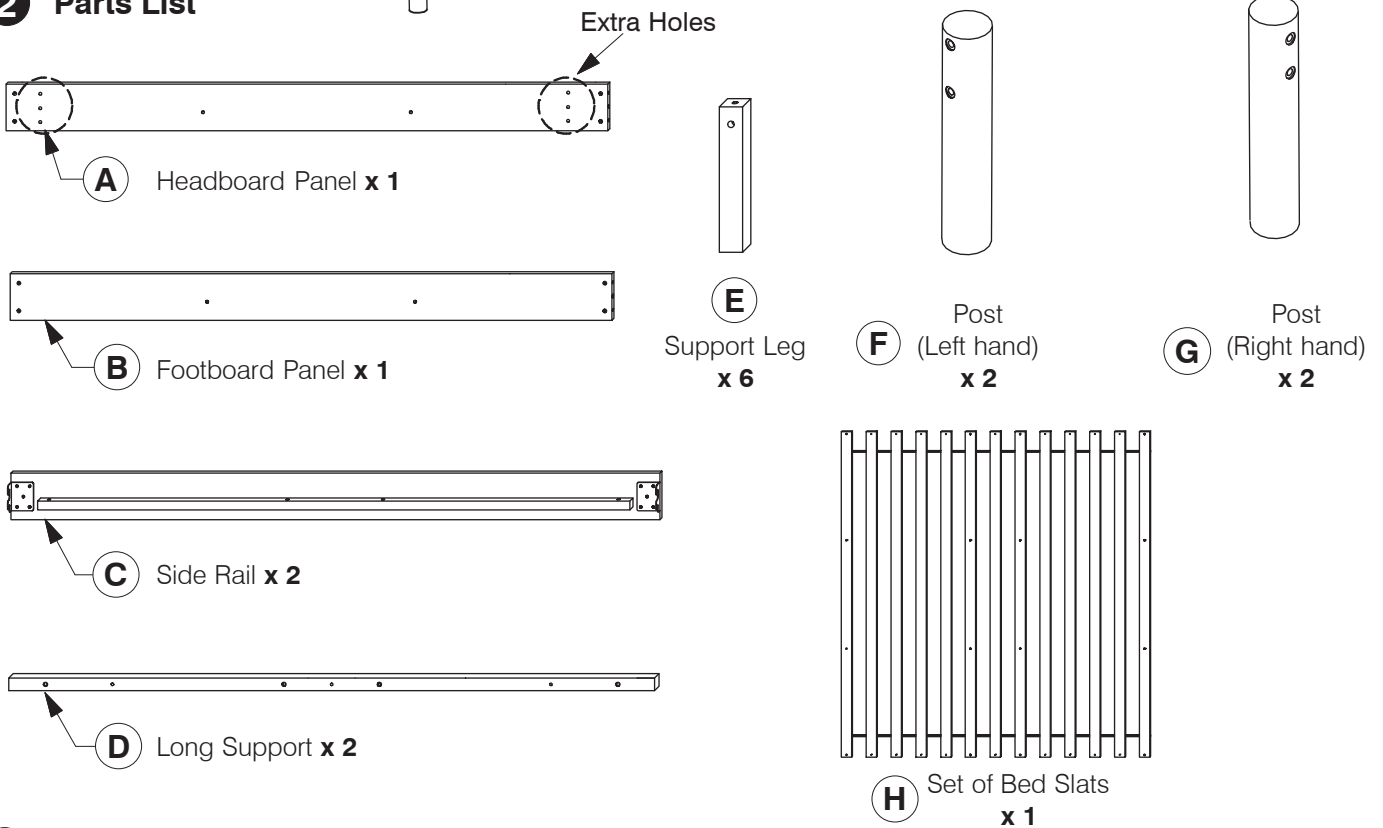
WI-0622

1 Assembled View

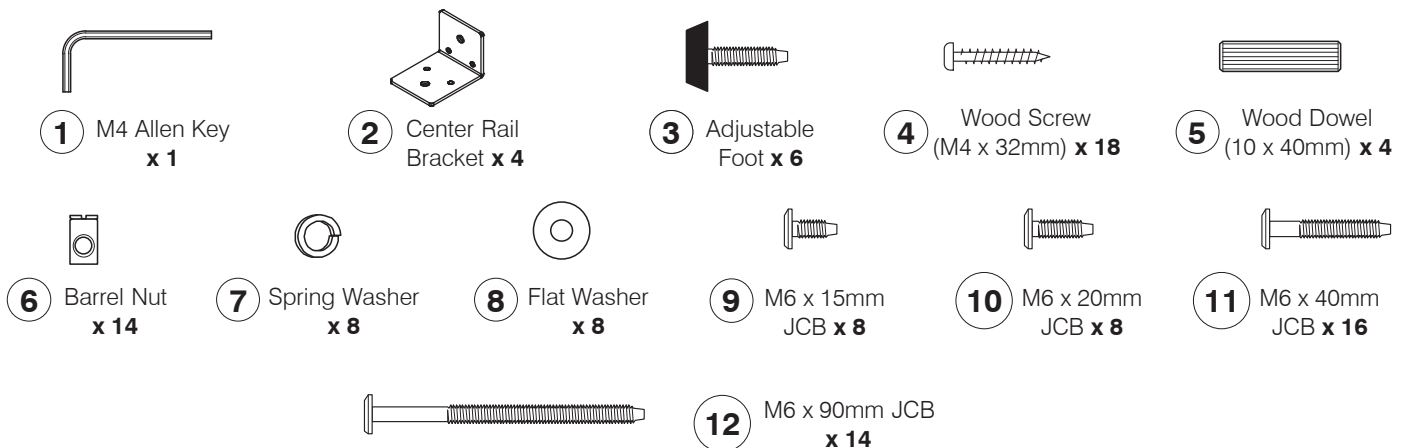


Note: Do not assemble using power tools. This can cause the bolts to be overtightened

2 Parts List



3 Hardware List

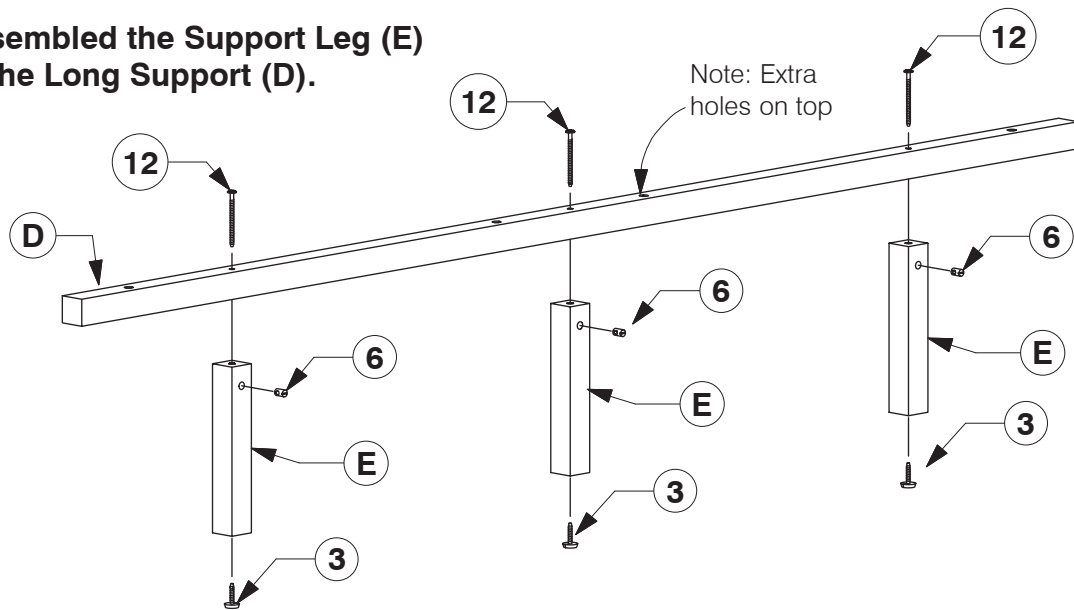


0097-1 King Bed

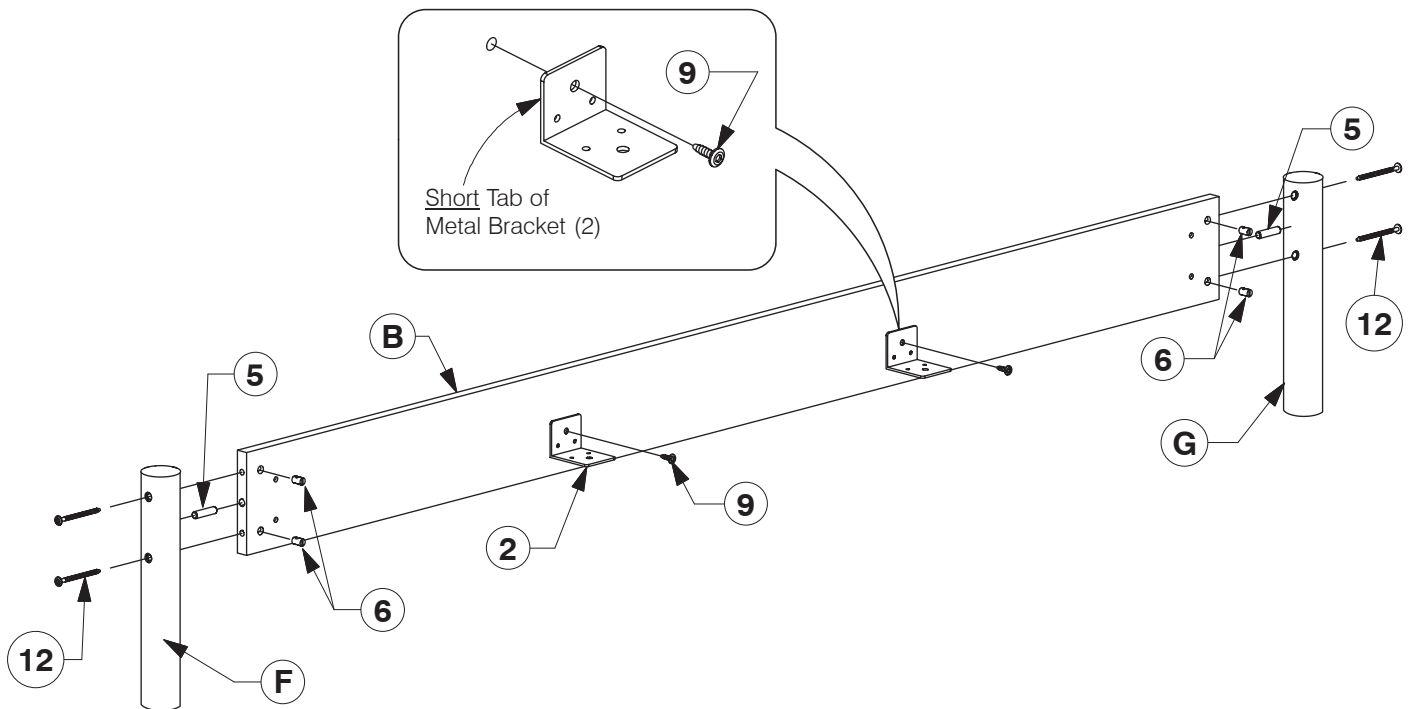
Assembly Instructions

WI-0622

- 4** Assembled the Support Leg (E) to the Long Support (D).



- 6** Assemble the Post (F & G) to the Footboard Panel (B).
Fit the Center Rail Bracket to the Footboard Panel (B).

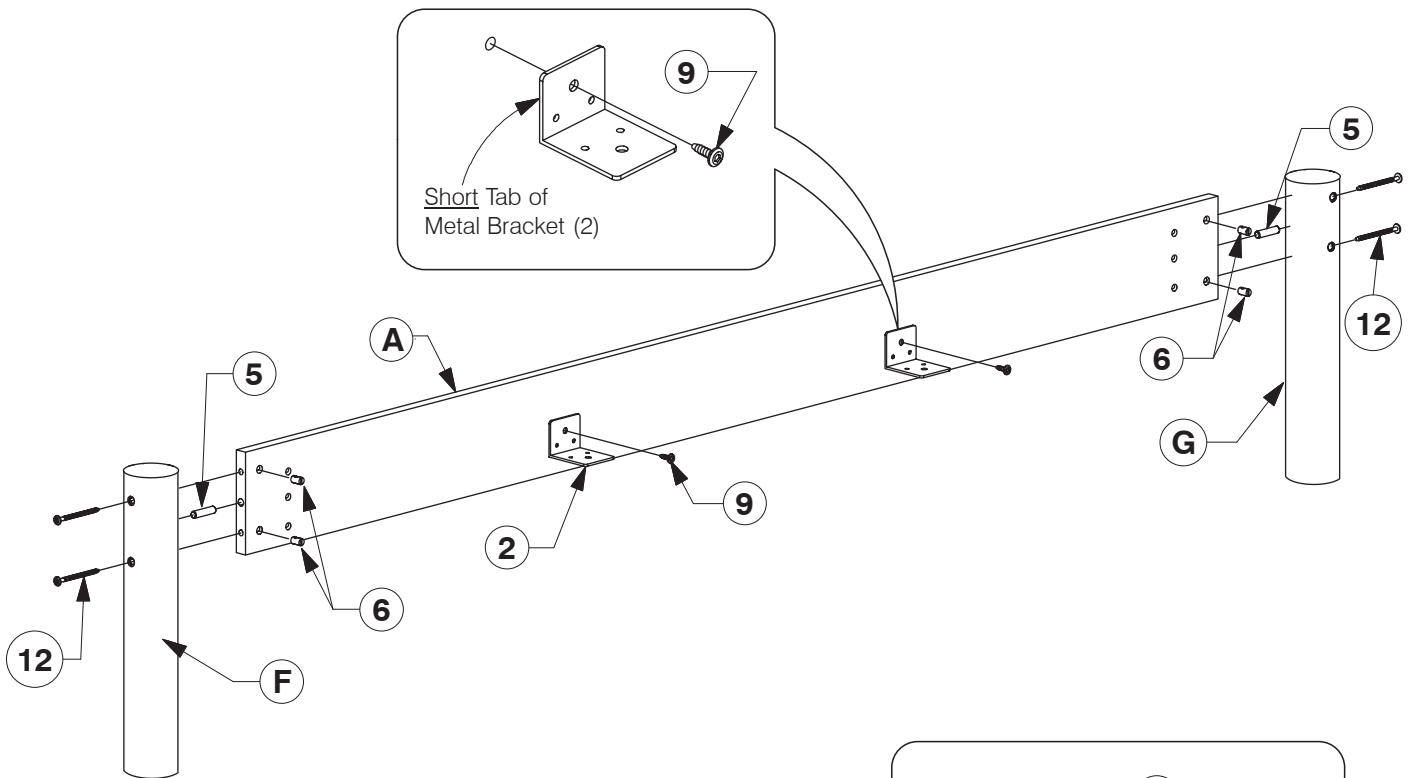


0097-1 King Bed

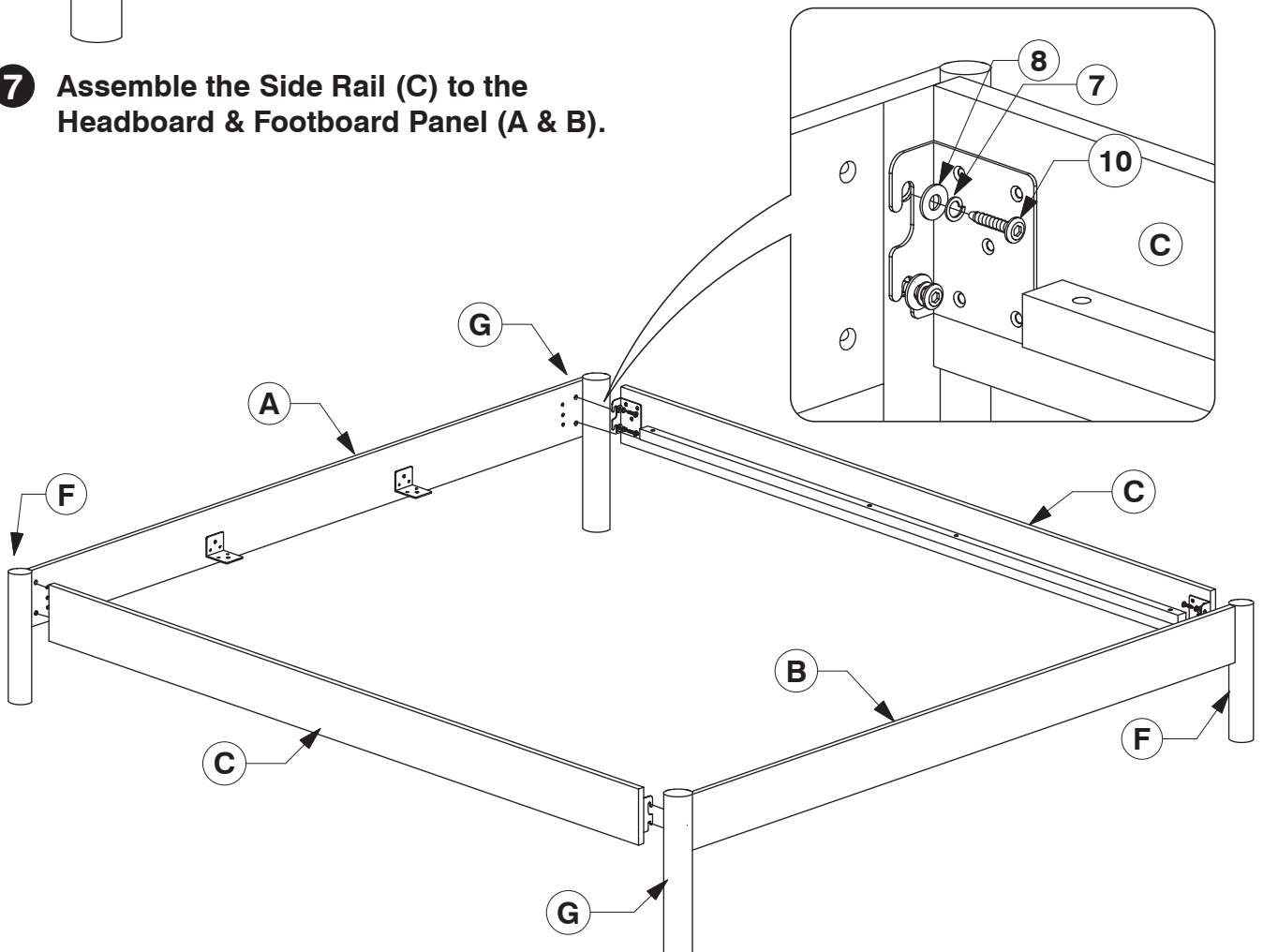
Assembly Instructions

WI-0622

- 6** Assemble the Post (F & G) to the Headboard (A).
Fit the Center Rail Bracket to the Headboard (A).



- 7** Assemble the Side Rail (C) to the Headboard & Footboard Panel (A & B).

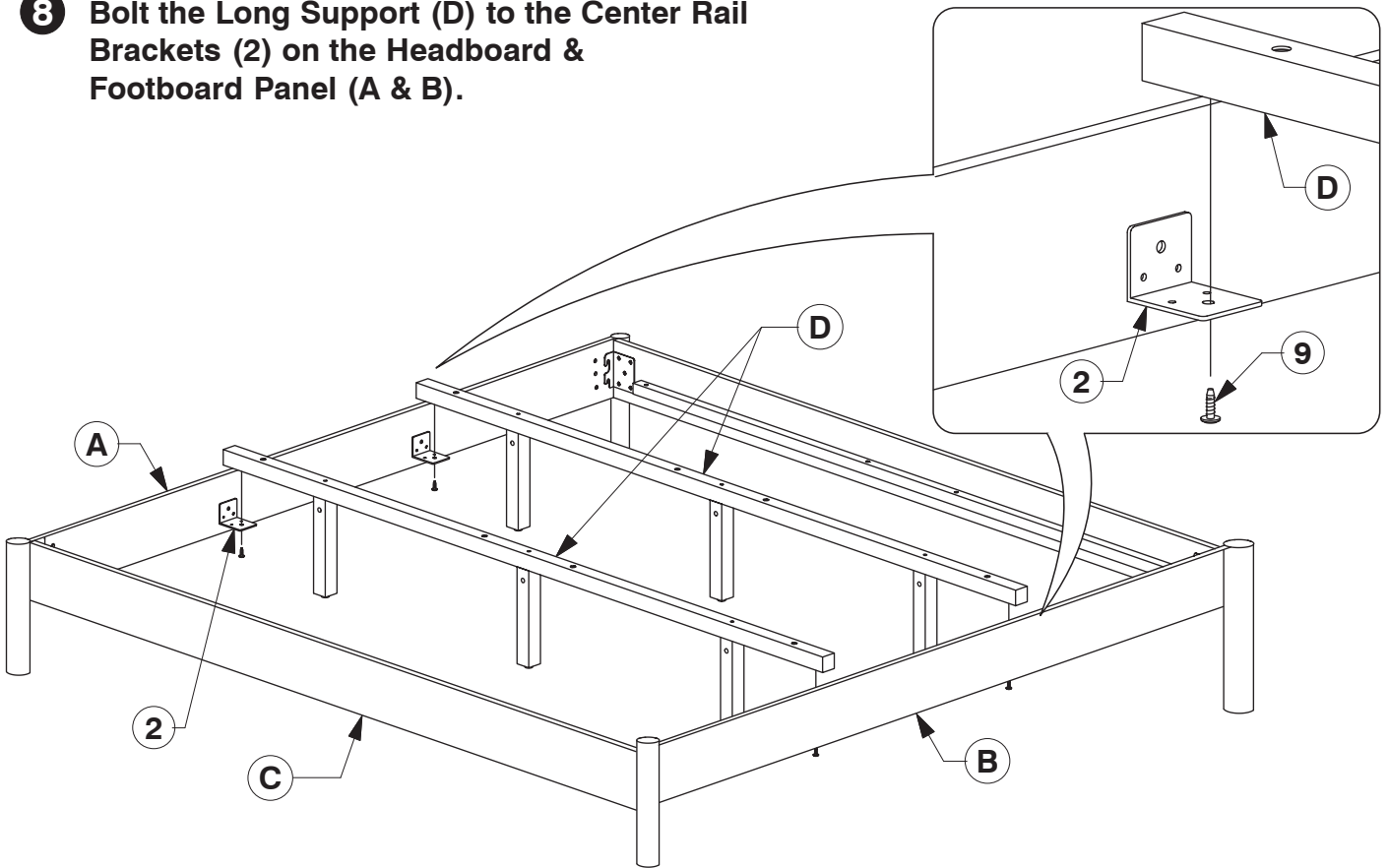


0097-1 King Bed

Assembly Instructions

WI-0622

- 8** Bolt the Long Support (D) to the Center Rail Brackets (2) on the Headboard & Footboard Panel (A & B).



- 9** Bolt & screw the Bed Slats (H) to the Side Rail (C).

