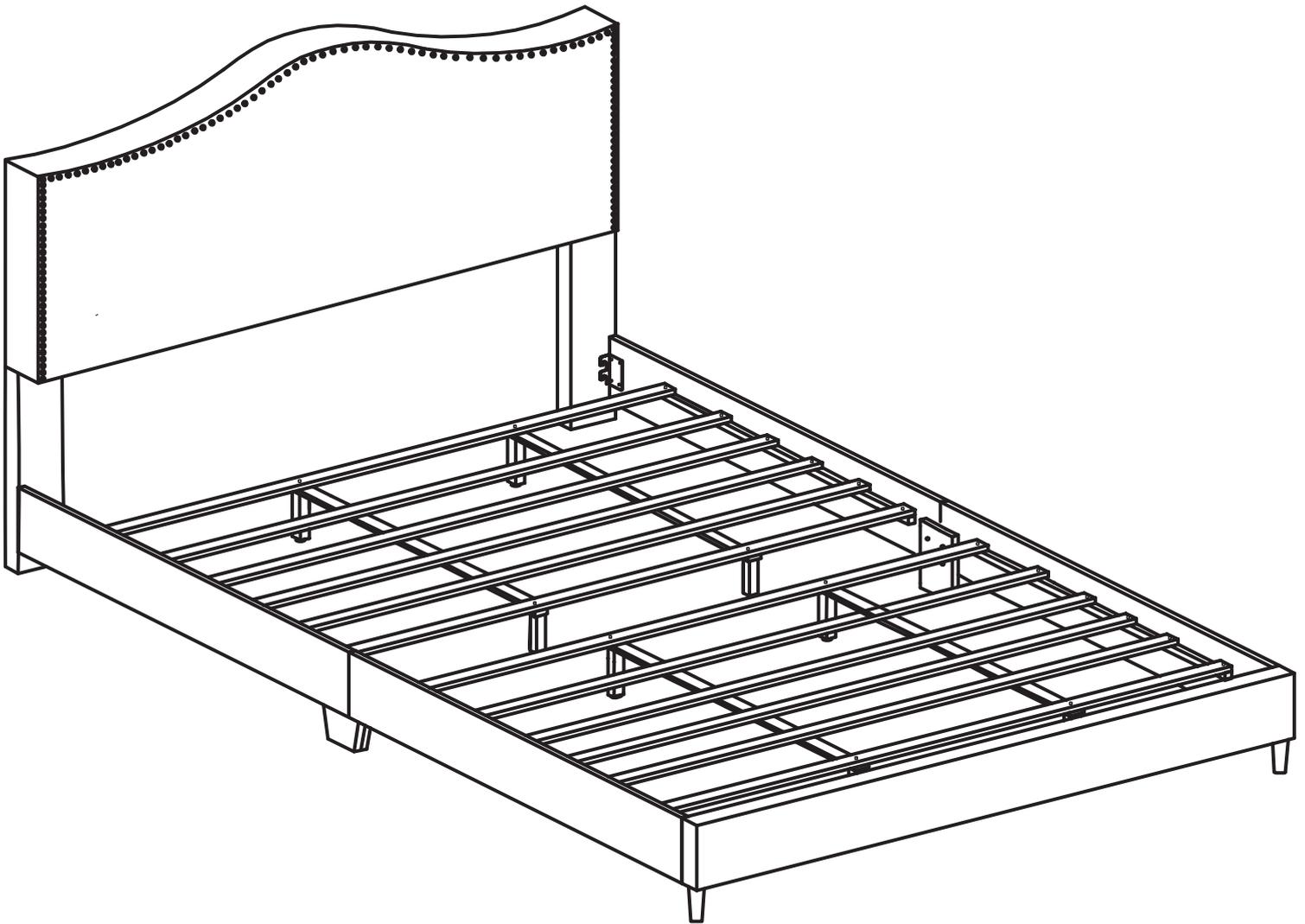


ovis

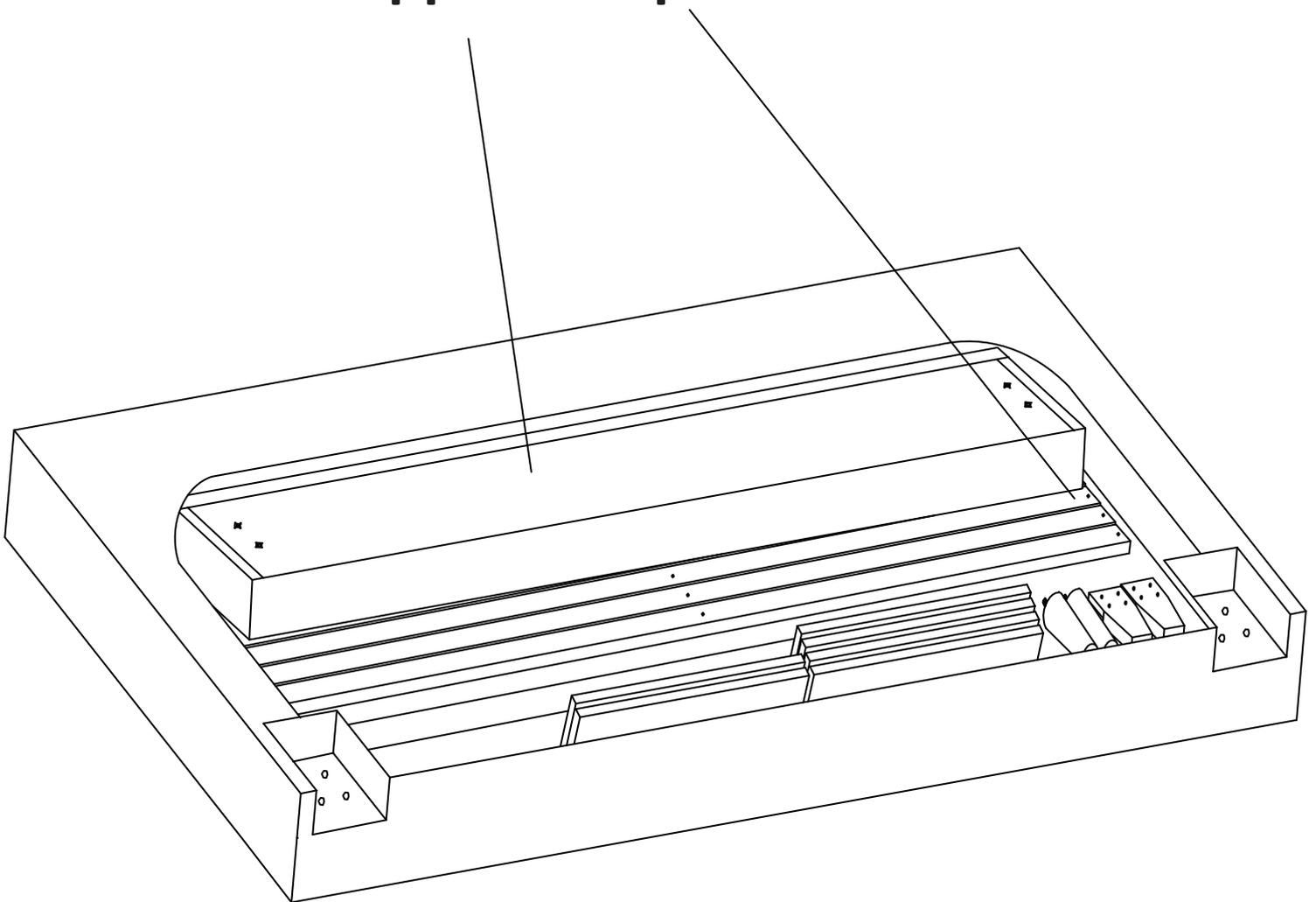


33430KG

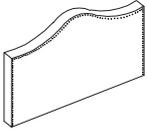
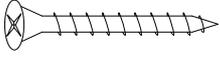
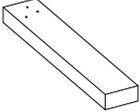
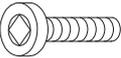
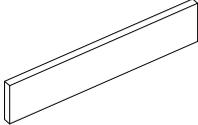
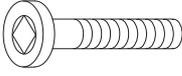
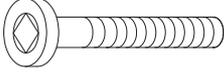
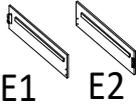
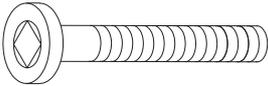
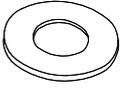
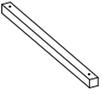
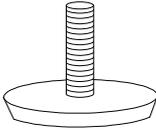
PLEASE DO NOT RETURN TO STORE!

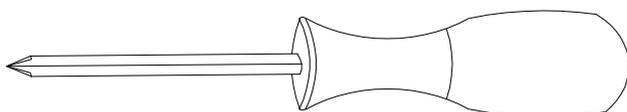
Email our support team: help@ovis.co

Bed Parts are inside the Headboard Zipper Compartment



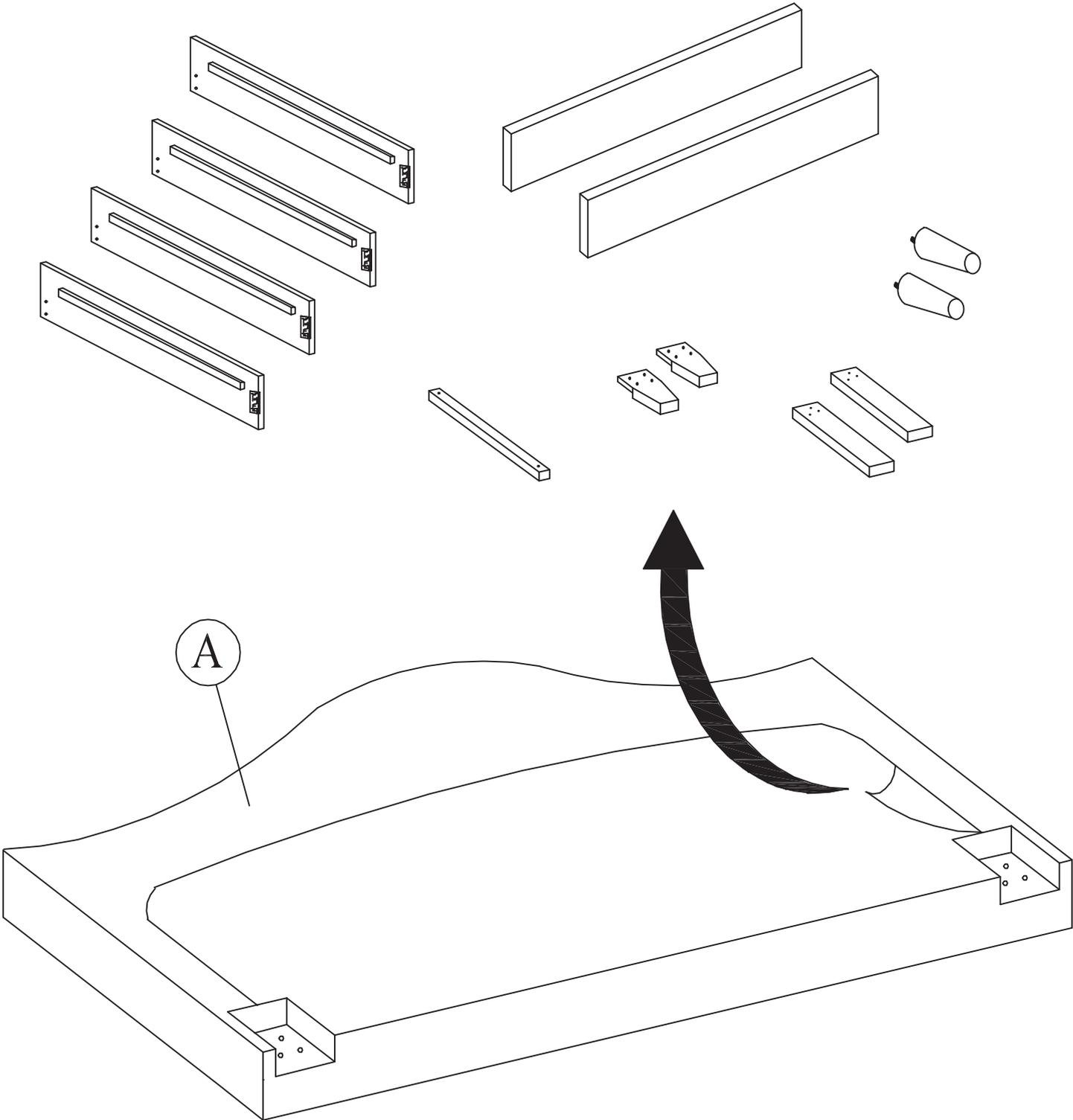
PARTS AND HARDWARE / PIEZAS Y HARDWARE

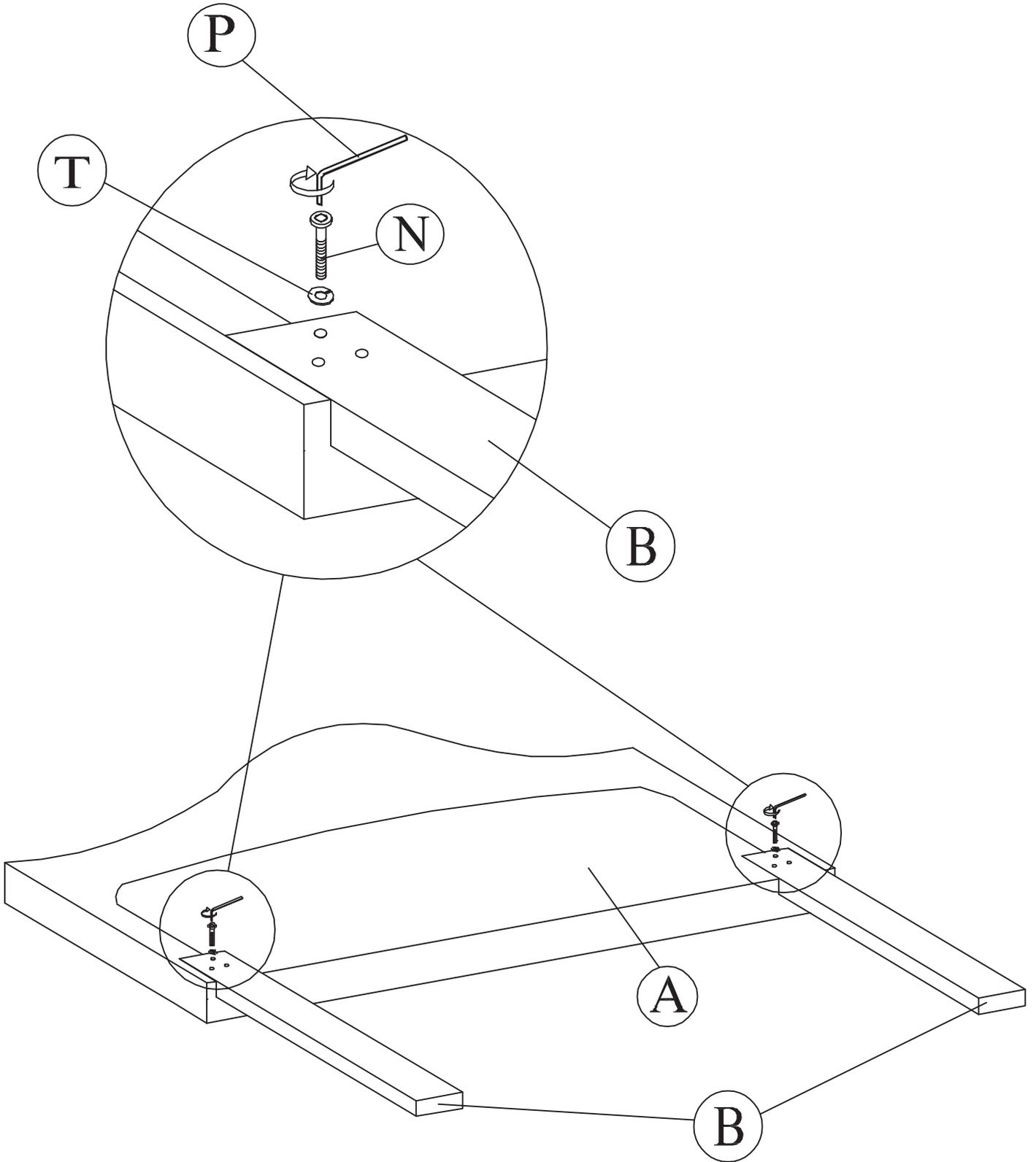
No.	SKETCH ESQUEMA	DESCRIPTION La Description	QTY CANTIDAD	No.	SKETCH ESQUEMA	DESCRIPTION La Description	QTY CANTIDAD
A		Headboard Panel Panel De La Cabecera	1	K		Screw M4x32mm Tornillo M4x32mm	24
B		Headboard Legs Patas De Cabecera	2	L		Allen bolt M8x20mm Perno Allen M8x20mm	8
C		Footboard Pie De Cama	1	M		Allen bolt M6x35mm Perno Allen M6x35mm	8
D		Center Support Soportes Centrales	2	N		Allen bolt M6x50mm Perno Allen M6x50mm	6
E		Side Rail Largueros Lateral	4	O		Allen bolt M6x60mm Perno Allen M6x60mm	8
F		Footboard Leg Patas Del Pie De Cama	2	P		Allen Key M4x65mm Llave Allen M4x65mm	1
G		Slats Listones	2	Q		Allen Key M5x70mm Llave Allen M5x70mm	1
I		Slat Support Legs Tas De Apoyo De Listones	8	S		Flat washer M6 Arandela plana M6	8
J		Center Rail Central Rail	4	T		Spring washer M6 Arandela De Resorte M6	6
help@ovis.co				U		Adjustable Leveler Nivelador ajustable	8

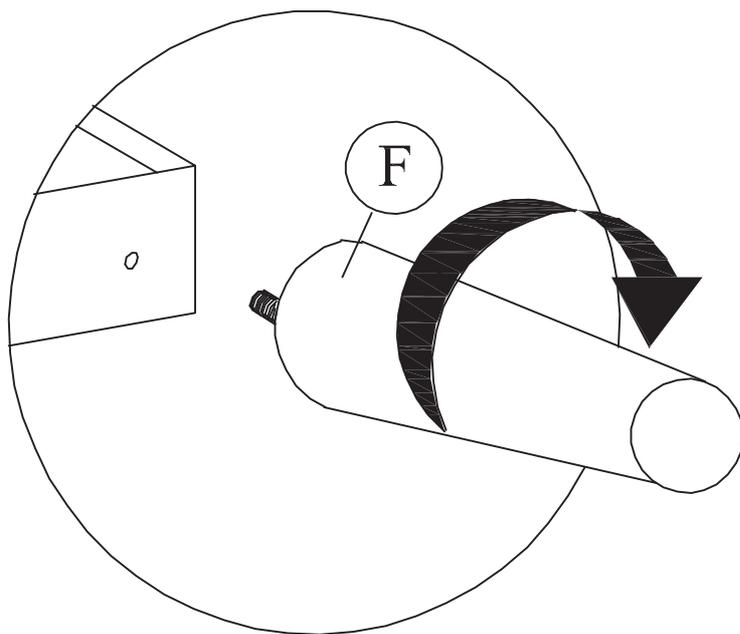
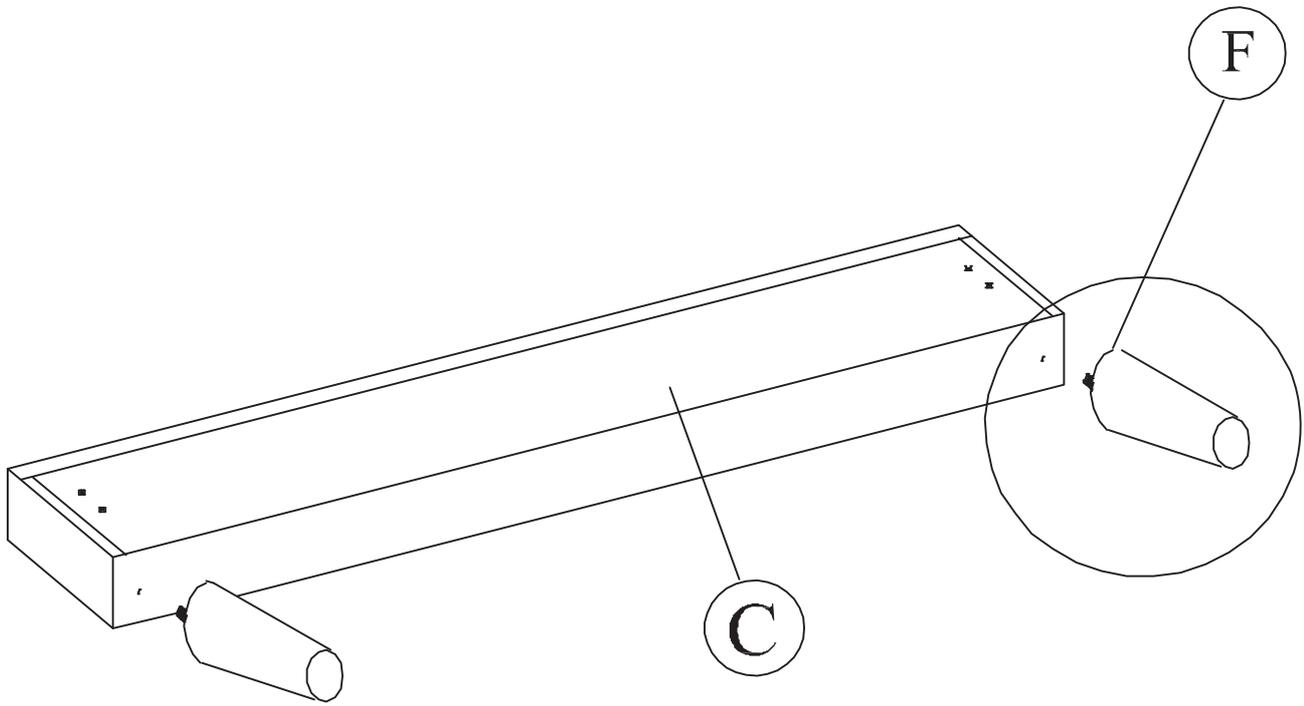


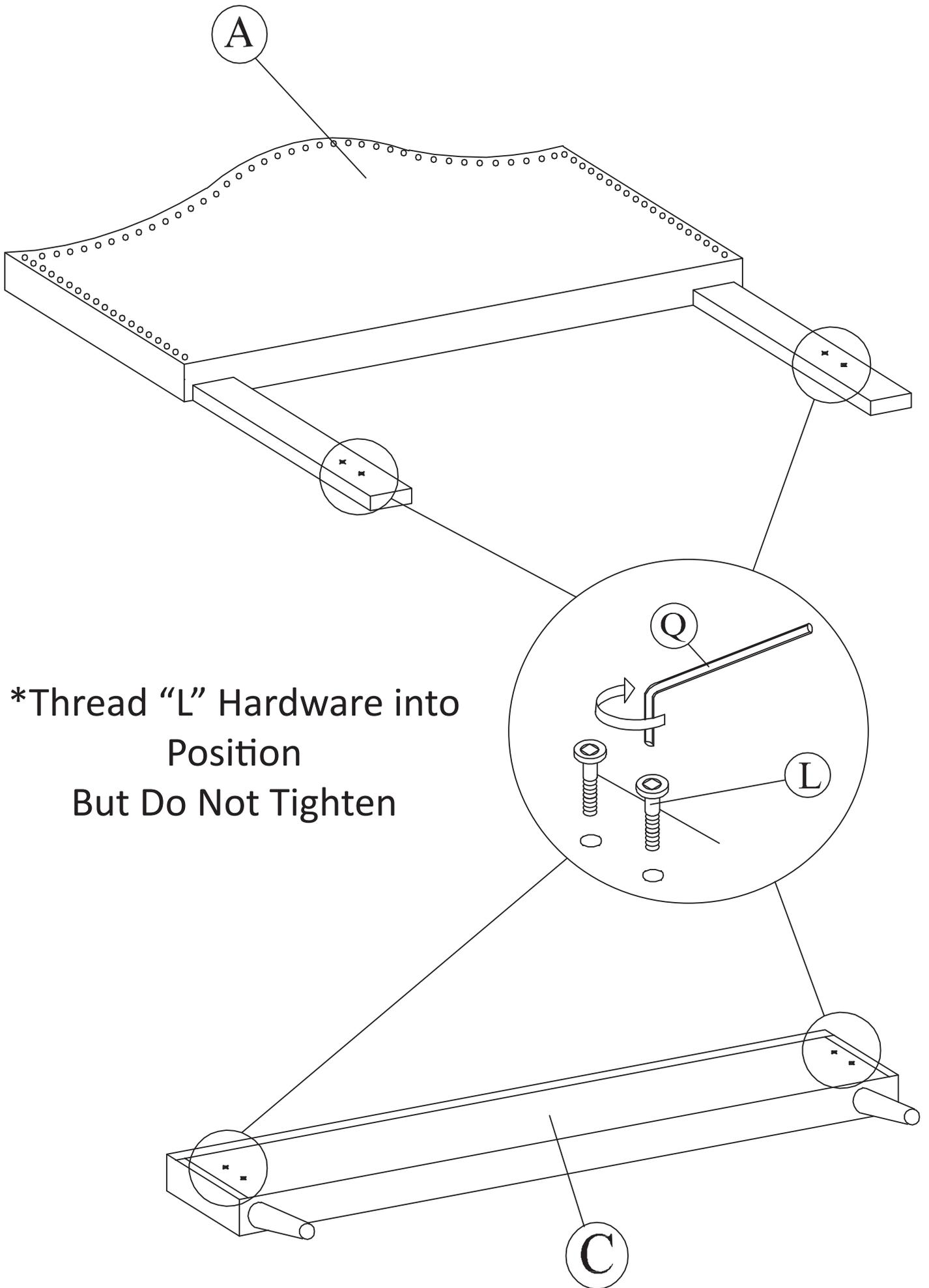
**PHILIPS SCREWDRIVER
REQUIRED
(NOT INCLUDED)**

*Remove Parts From
Headboard Zipper
Compartment

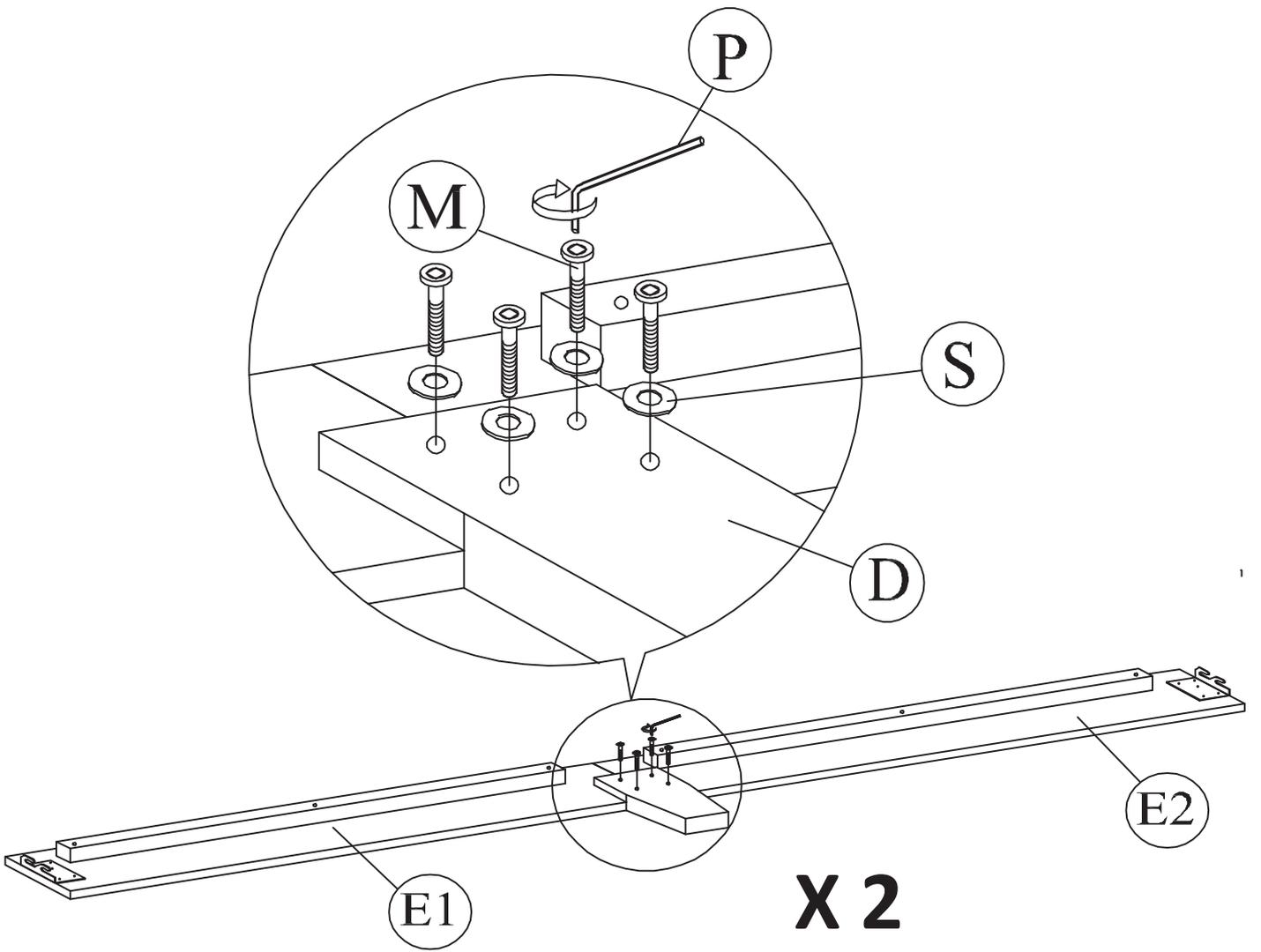


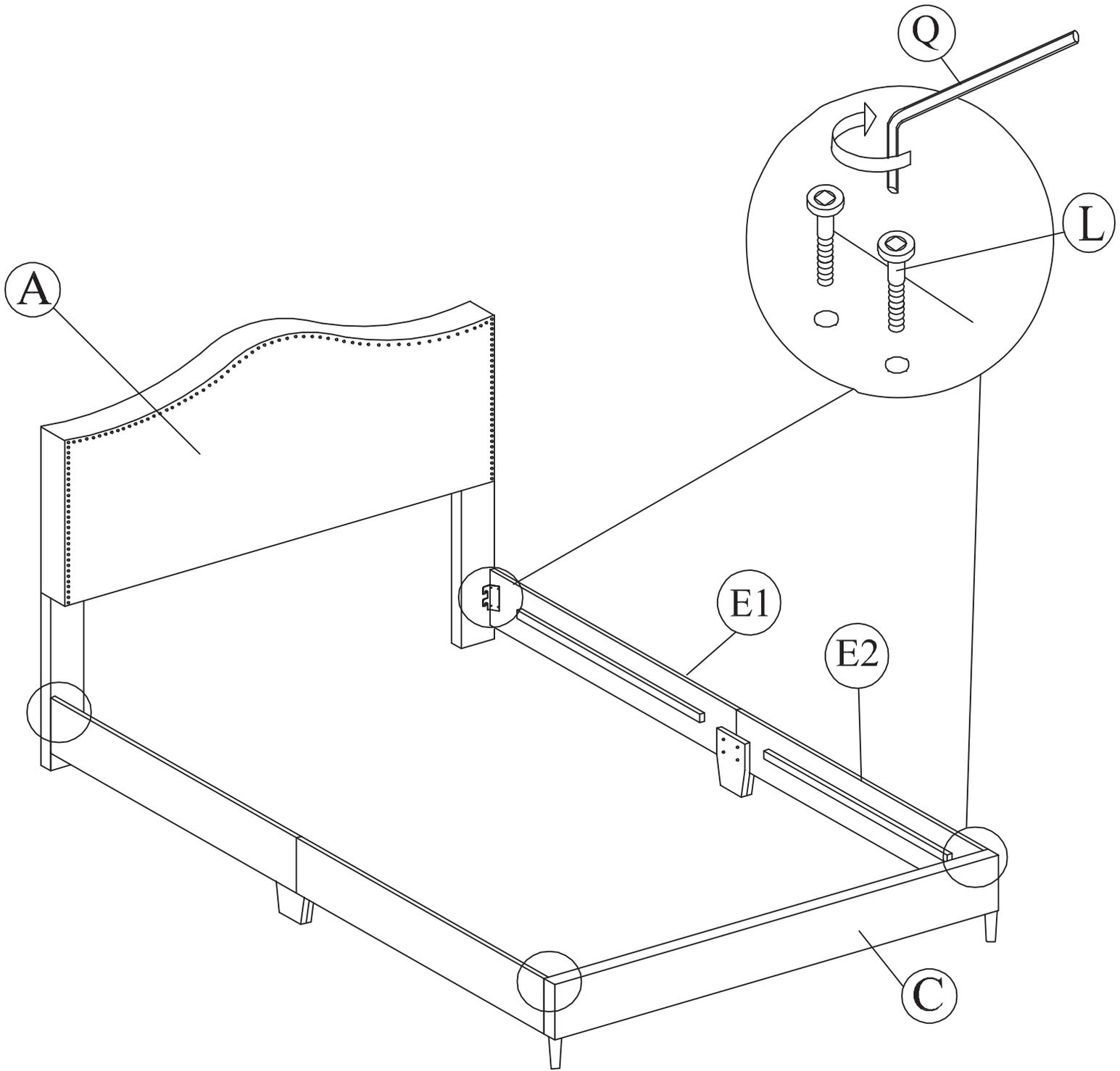


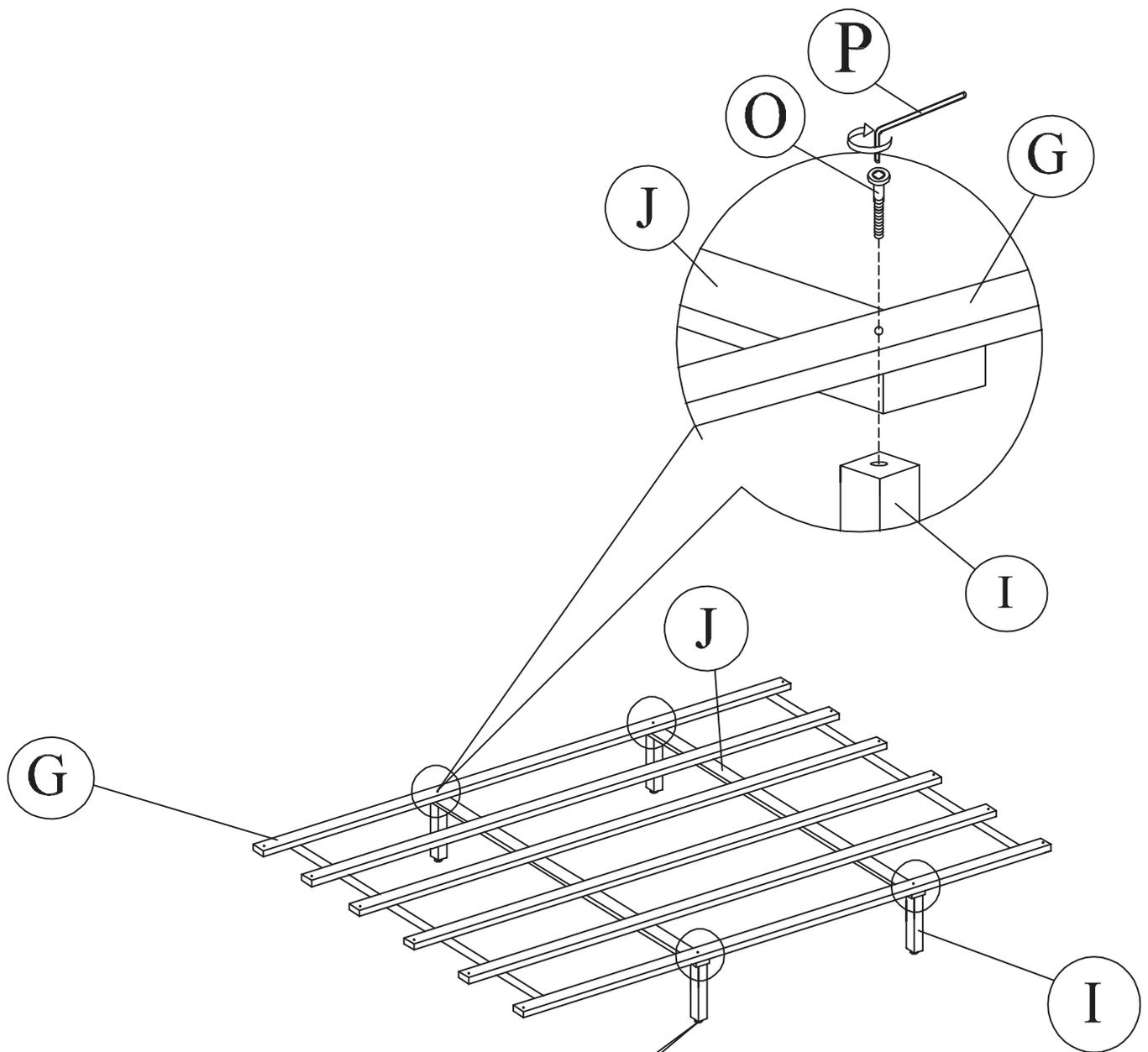




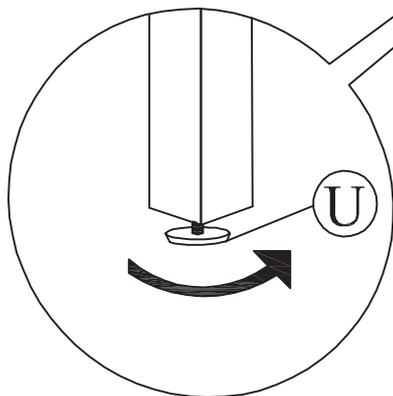
*Thread "L" Hardware into
Position
But Do Not Tighten

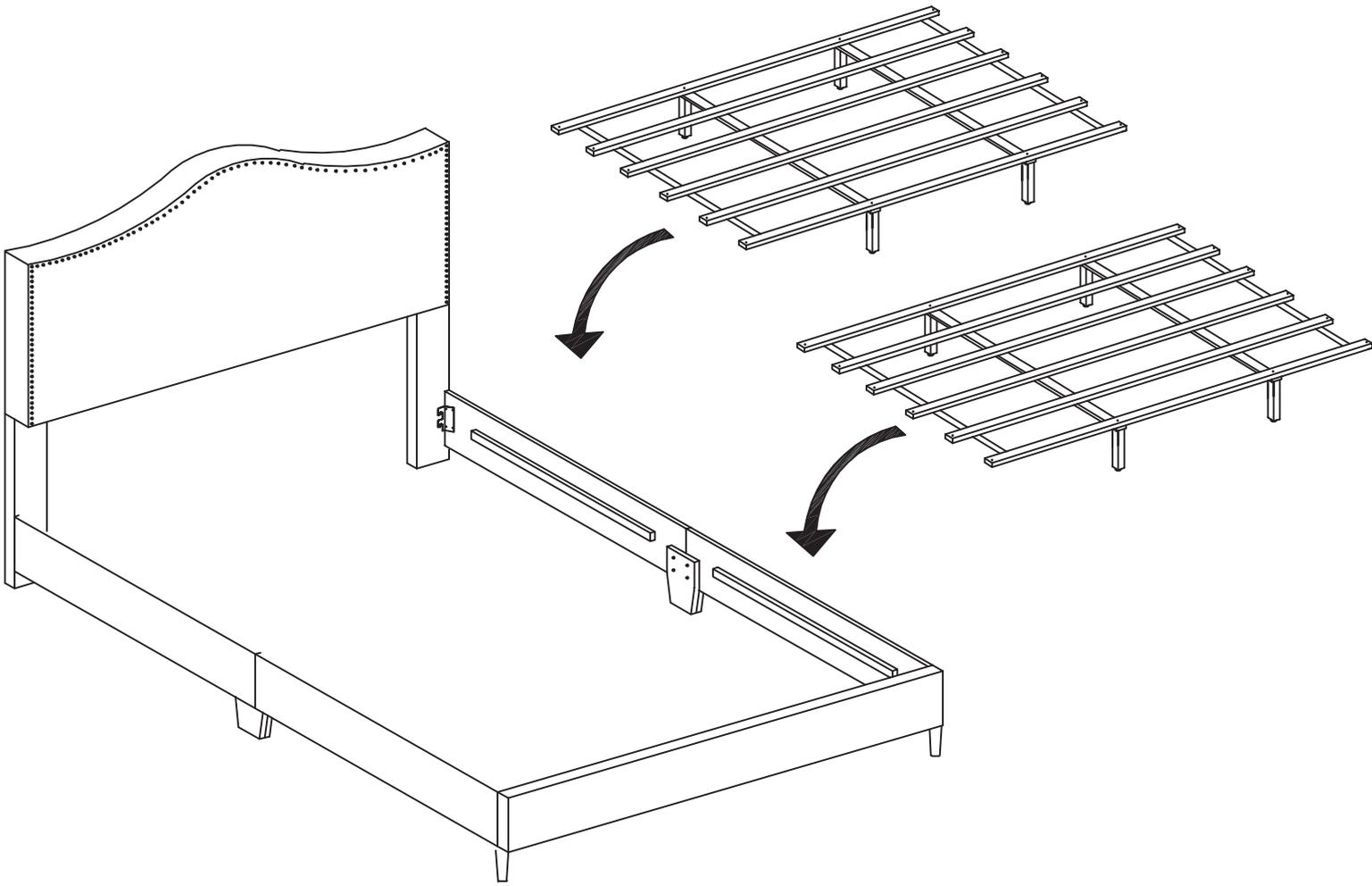


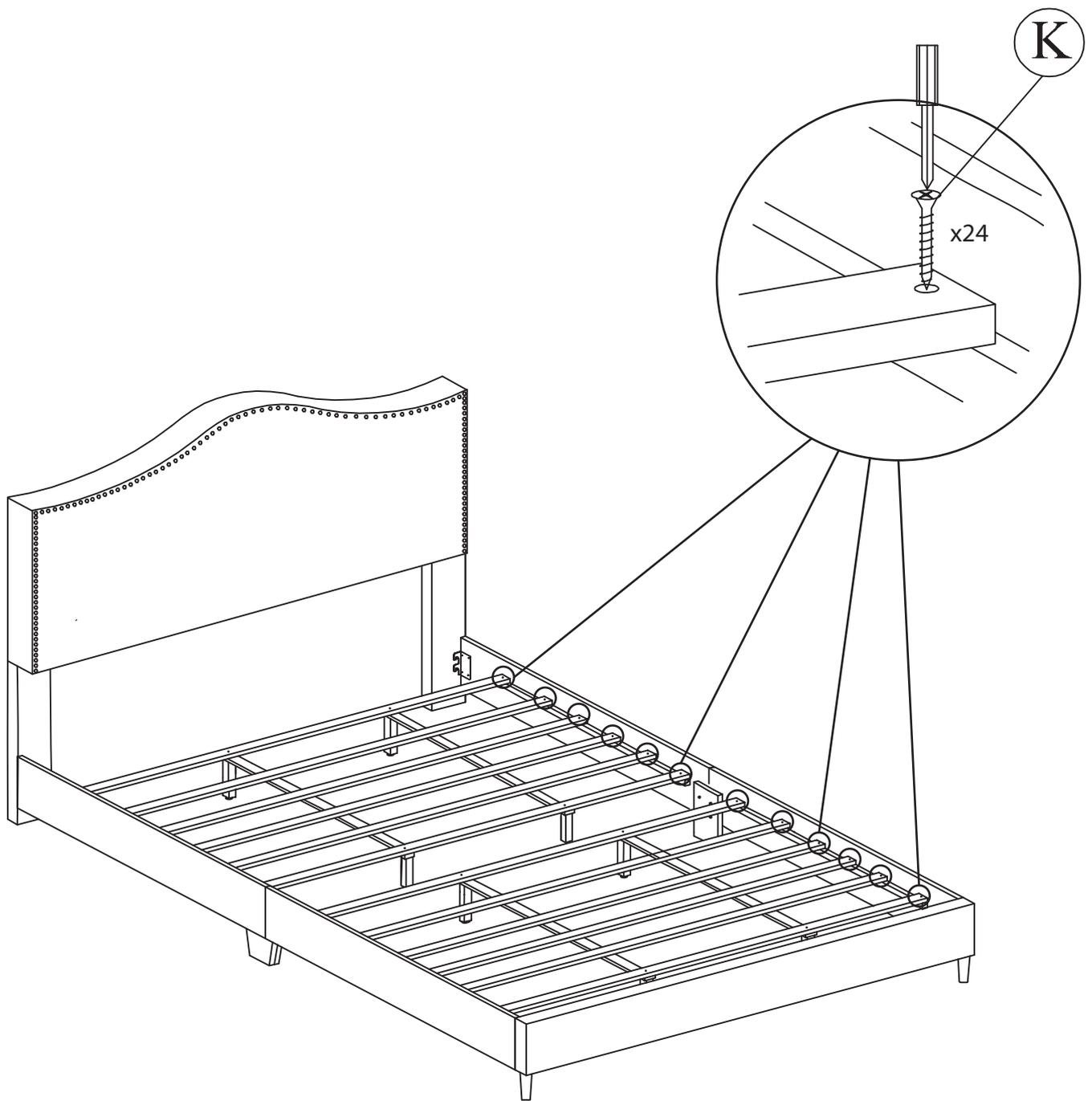




X 2

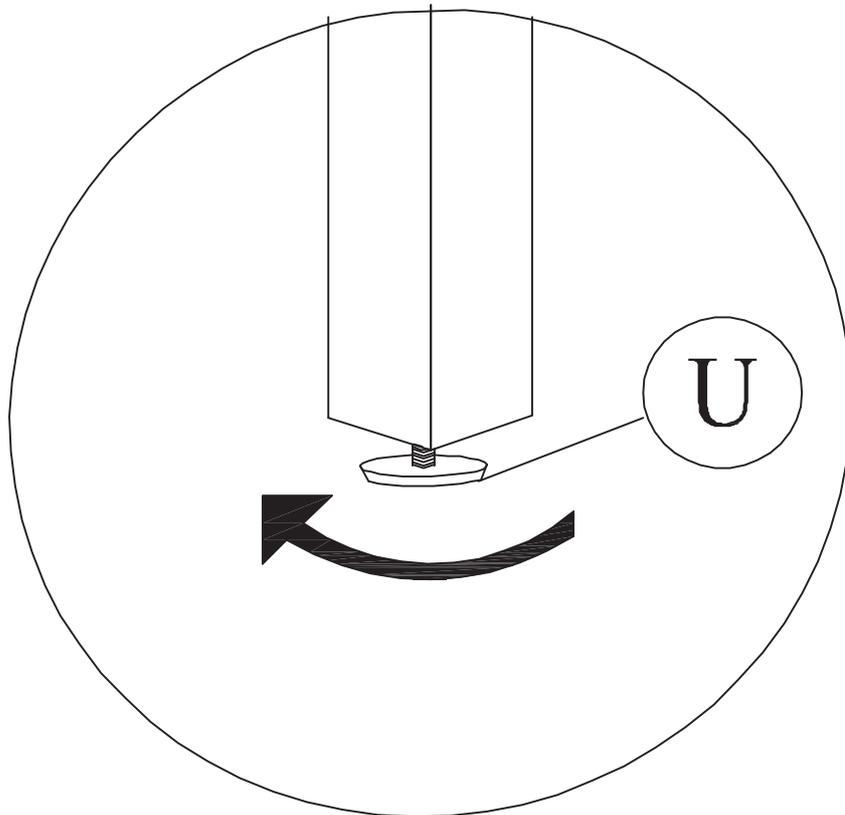






Use Screwdriver to Install
"K" Screws Through Each
Slat into Side Rail Cleat

Adjust Leveling Feet “U” to Touch Floor



NEED ADDITIONAL HELP?

Email our support team: help@ovis.co

CAUTION:

Do not attempt to move the bed when fully assembled. This could result in damage to the rails, headboard, or footboard.

When Placing Furniture on non-carpeted flooring, we recommend the use of floor protection such as an area rug or furniture pads. Area rugs and padding not included with purchase.