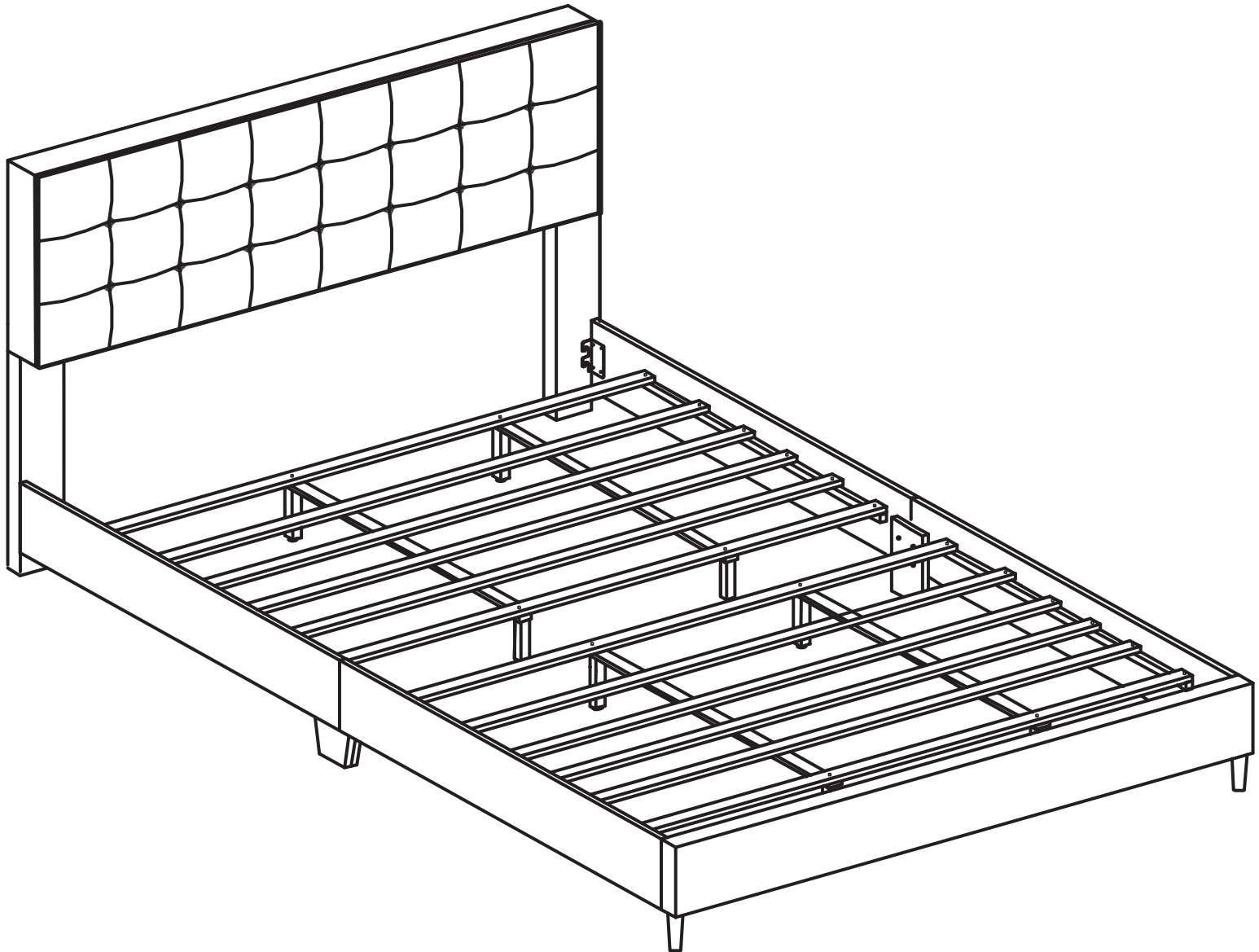


ovis

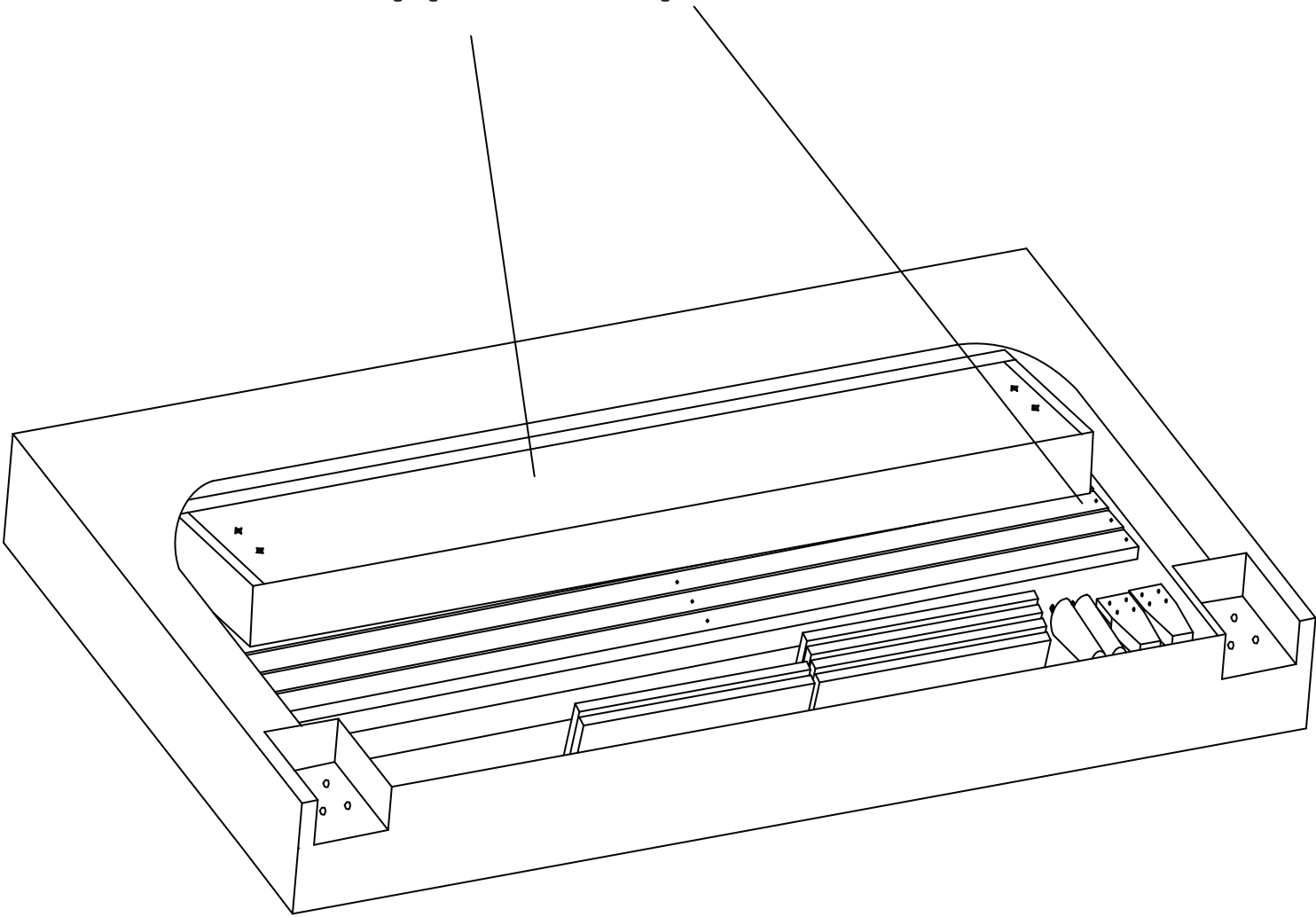


33329WKG

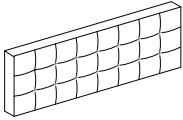
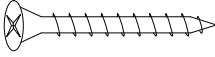
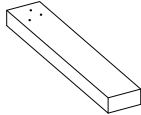
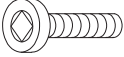
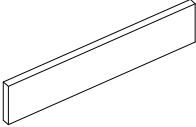
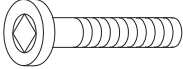
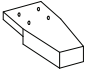
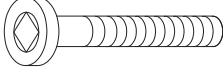
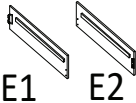
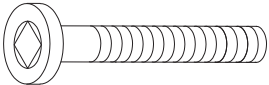
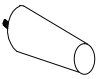




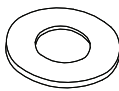
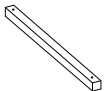

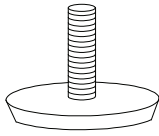
PLEASE DO NOT RETURN TO STORE!

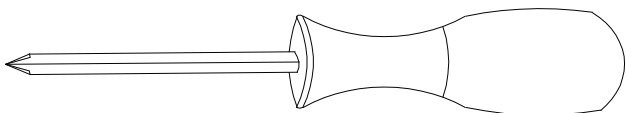
Email our support team: help@ovis.co

Bed Parts are inside the Headboard Zipper Compartment



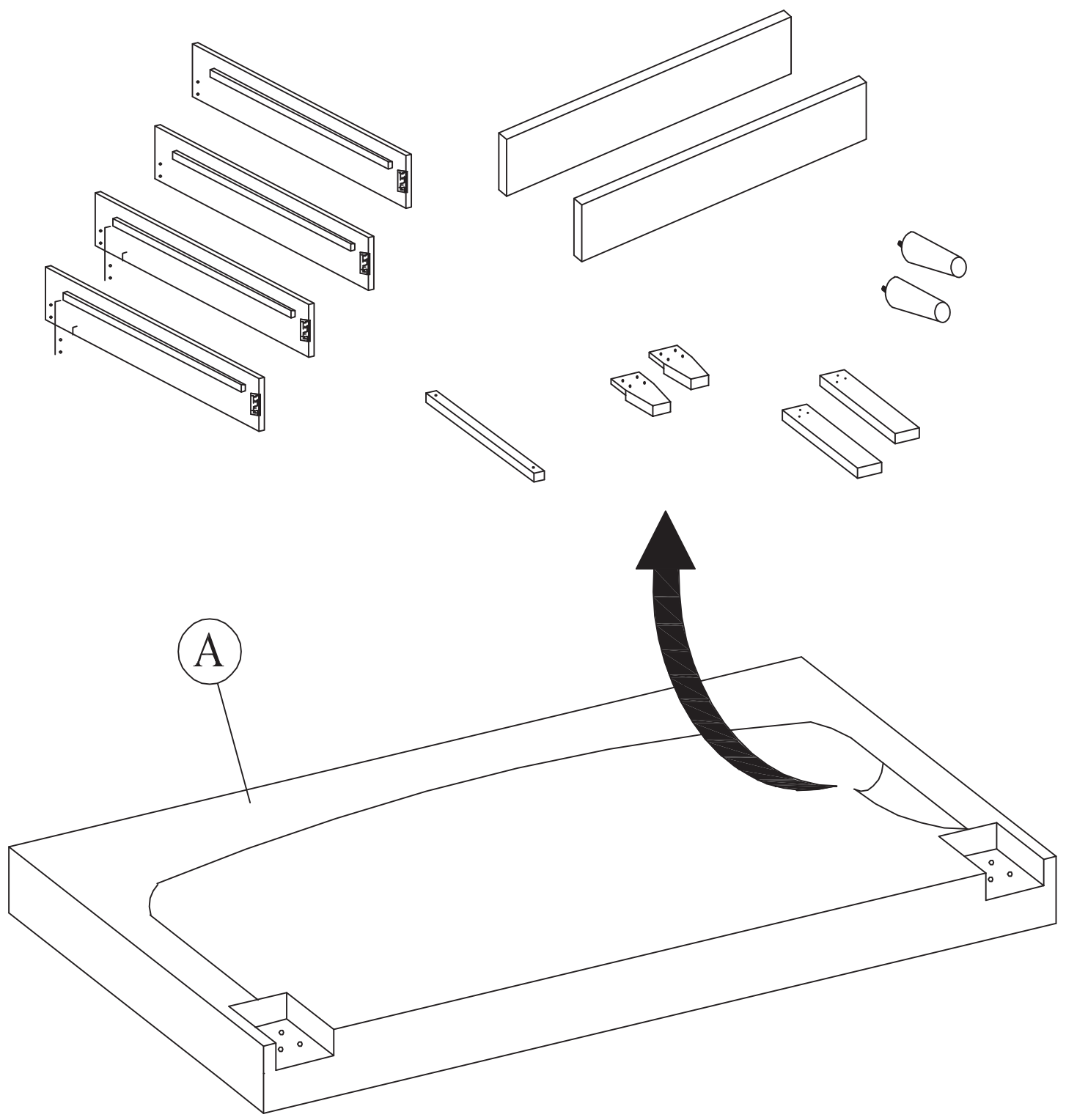
PARTS AND HARDWARE / PIEZAS Y HARDWARE

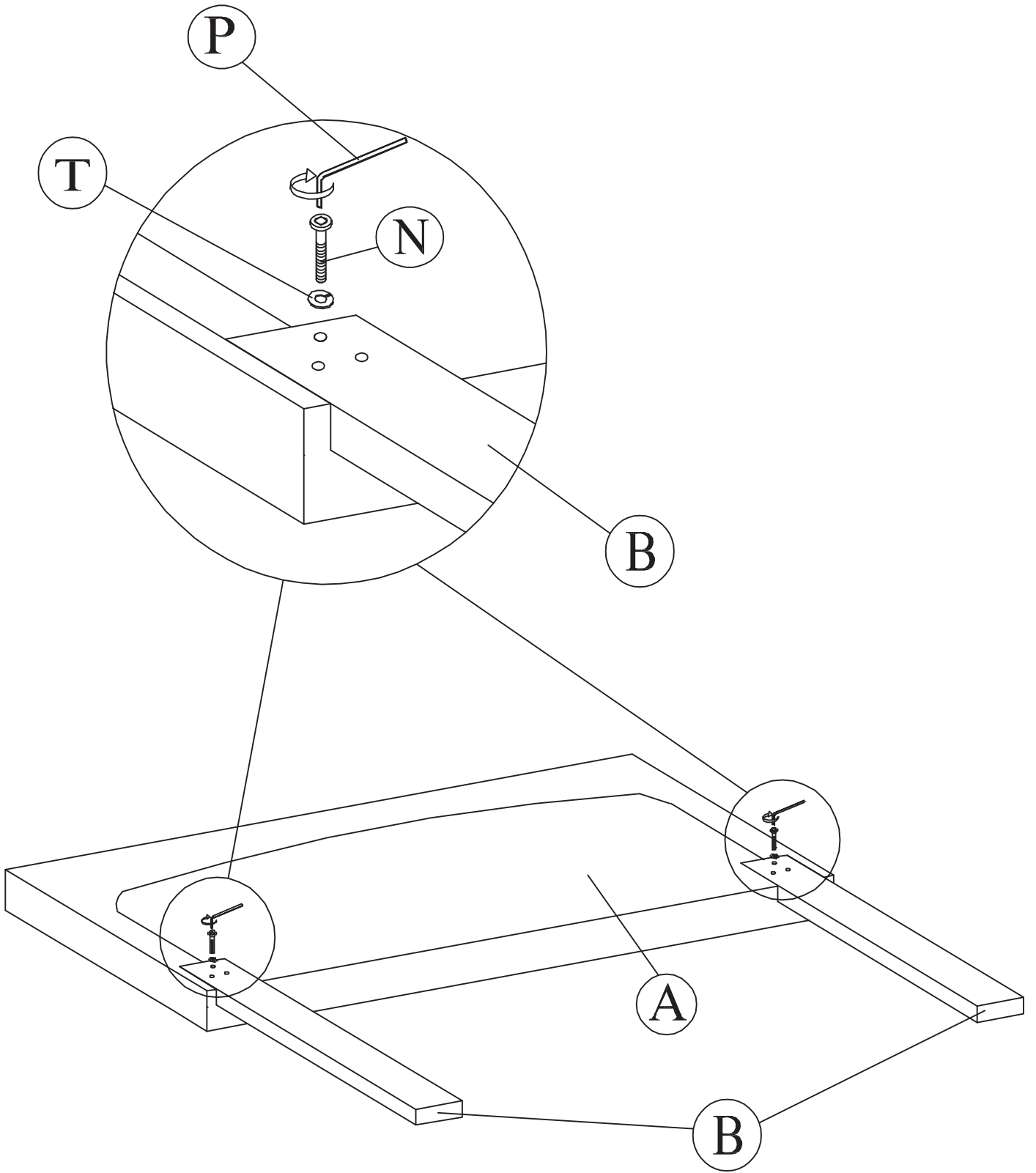
No.	SKETCH ESQUEMA	DESCRIPTION La Description	QTY CANTIDAD	No.	SKETCH ESQUEMA	DESCRIPTION La Description	QTY CANTIDAD
A		Headboard Panel Panel De La Cabecera	1	K		Screw M4x32mm Tornillo M4x32mm	24
B		Headboard Legs Patas De Cabecera	2	L		Allen bolt M8x20mm Perno Allen M8x20mm	8
C		Footboard Pie De Cama	1	M		Allen bolt M6x35mm Perno Allen M6x35mm	8
D		Center Support Soportes Centrales	2	N		Allen bolt M6x50mm Perno Allen M6x50mm	6
E		Side Rail Largueros Lateral	4	O		Allen bolt M6x60mm Perno Allen M6x60mm	8
F		Footboard Leg Patas Del Pie De Cama	2	P		Allen Key M4x65mm Llave Allen M4x65mm	1
G		Slats Listones	2	Q		Allen Key M5x70mm Llave Allen M5x70mm	1
I		Slat Support Legs Tas De Apoyo De Listones	8	S		Flat washer M6 Arandela plana M6	8
J		Center Rail Central Rail	4	T		Spring washer M6 Arandela De Resorte M6	6
help@ovis.co				U		Adjustable Leveler Nivelador ajustable	8

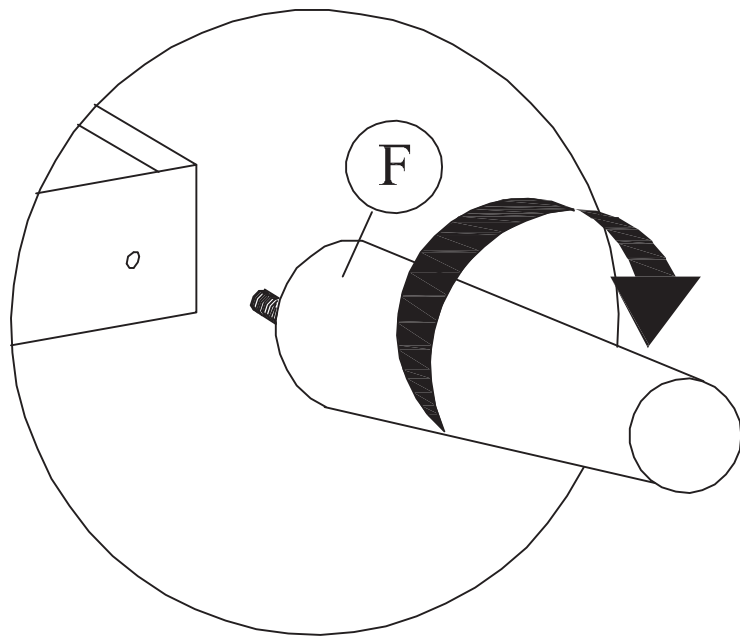
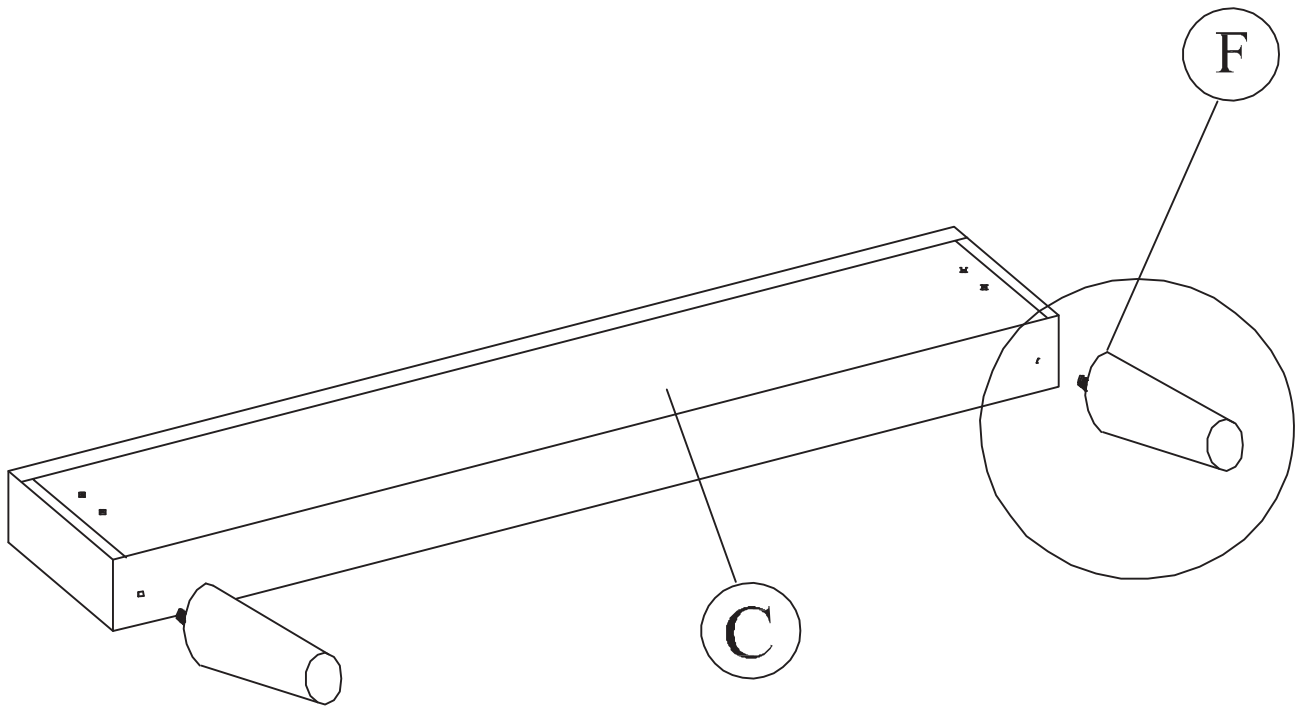


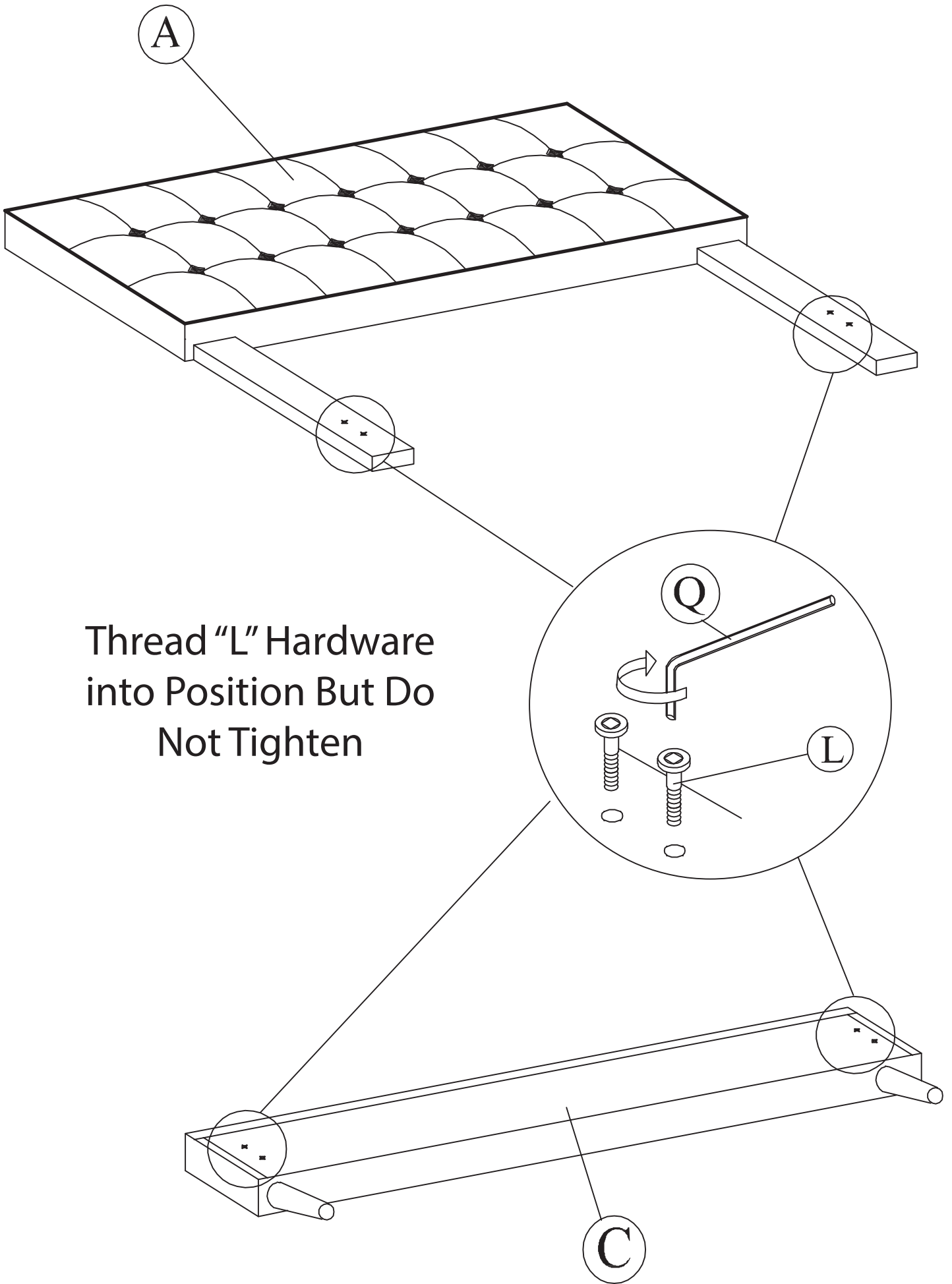
**PHILIPS SCREWDRIVER
REQUIRED
(NOT INCLUDED)**

*Remove Parts From
Headboard Zipper
Compartment

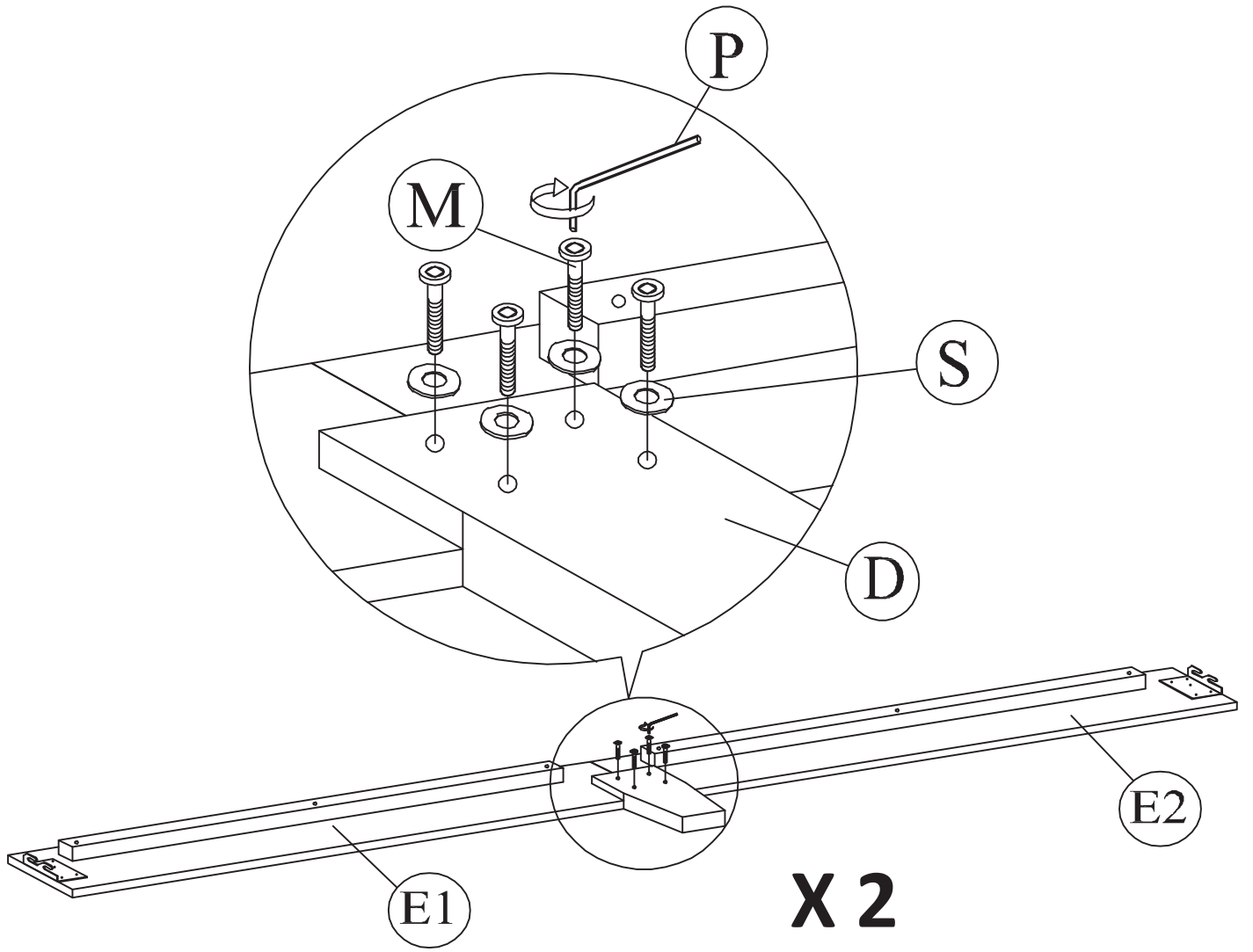


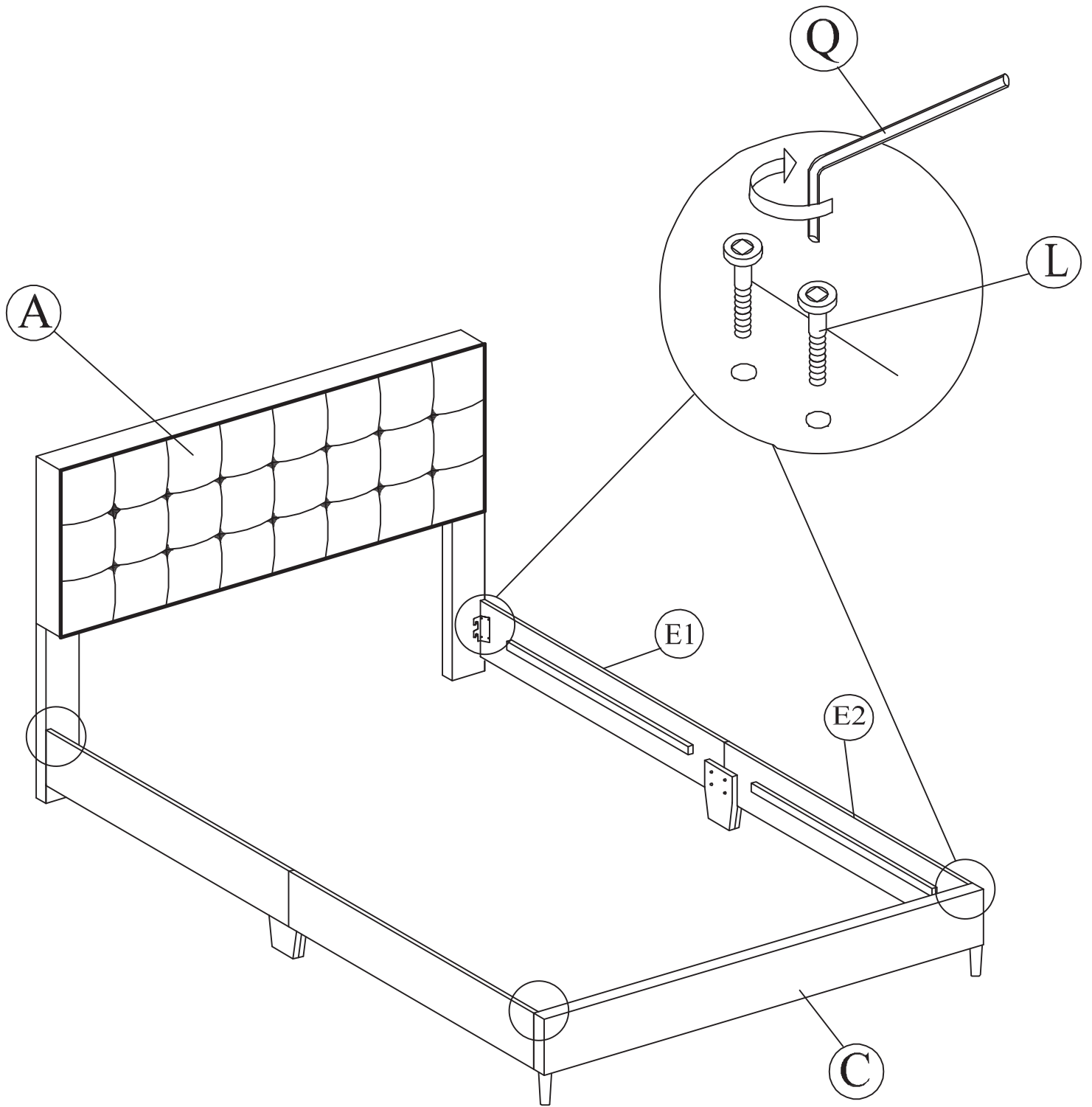


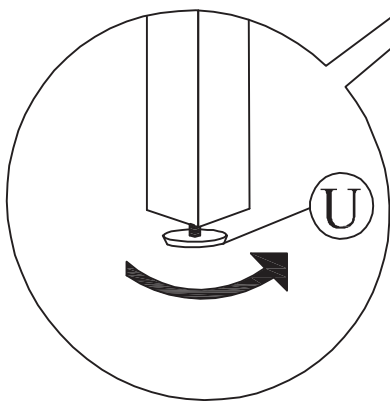
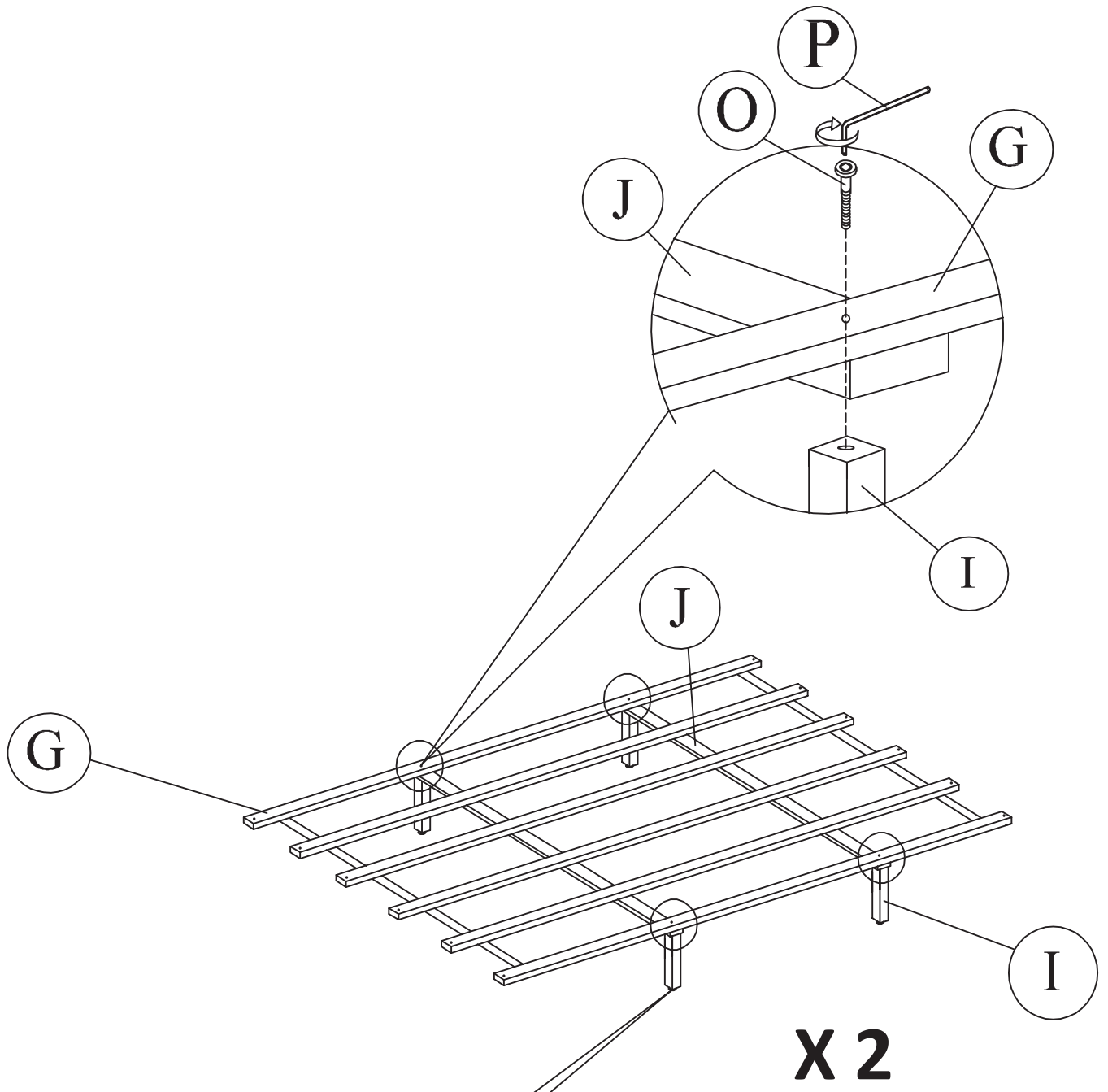


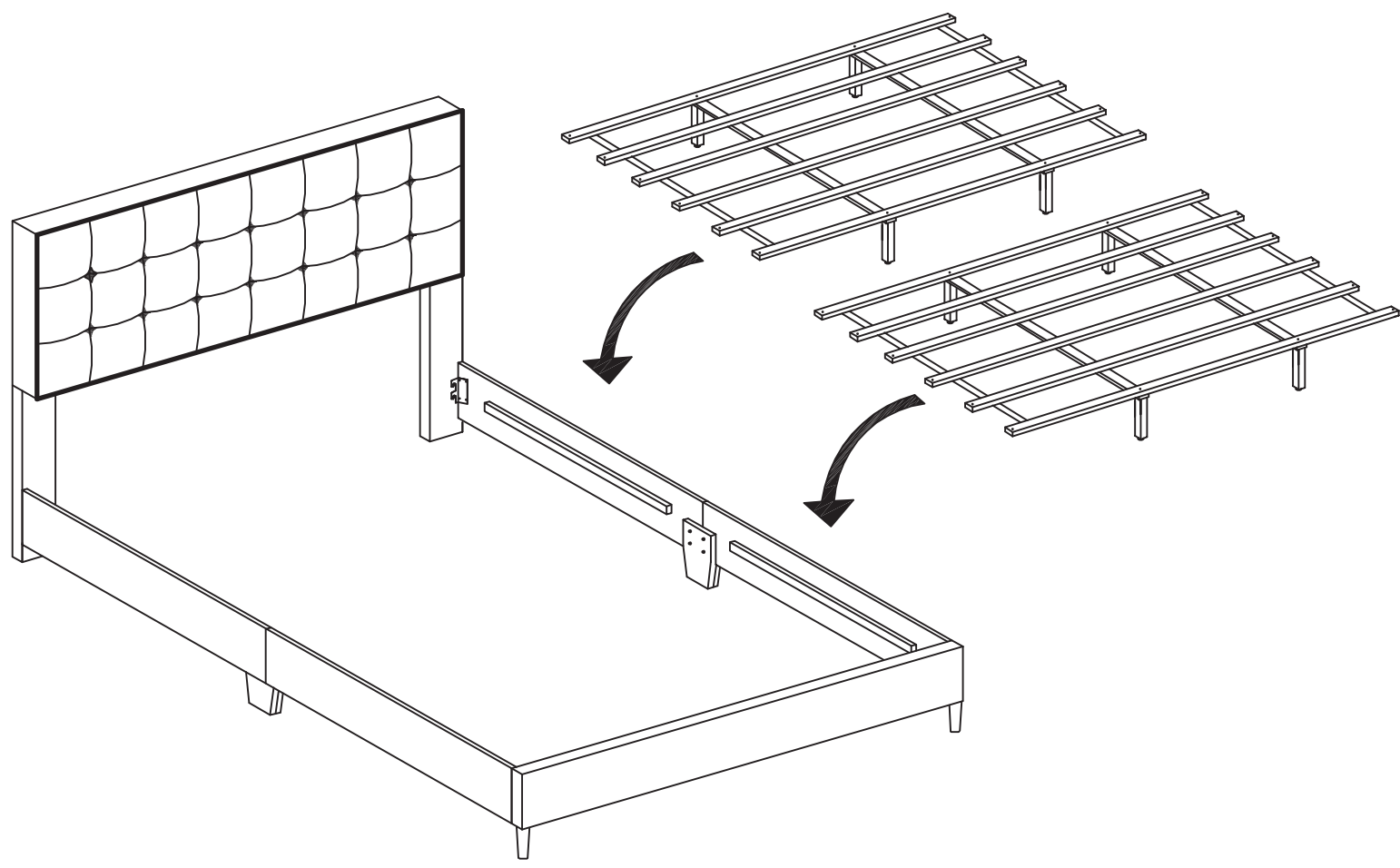


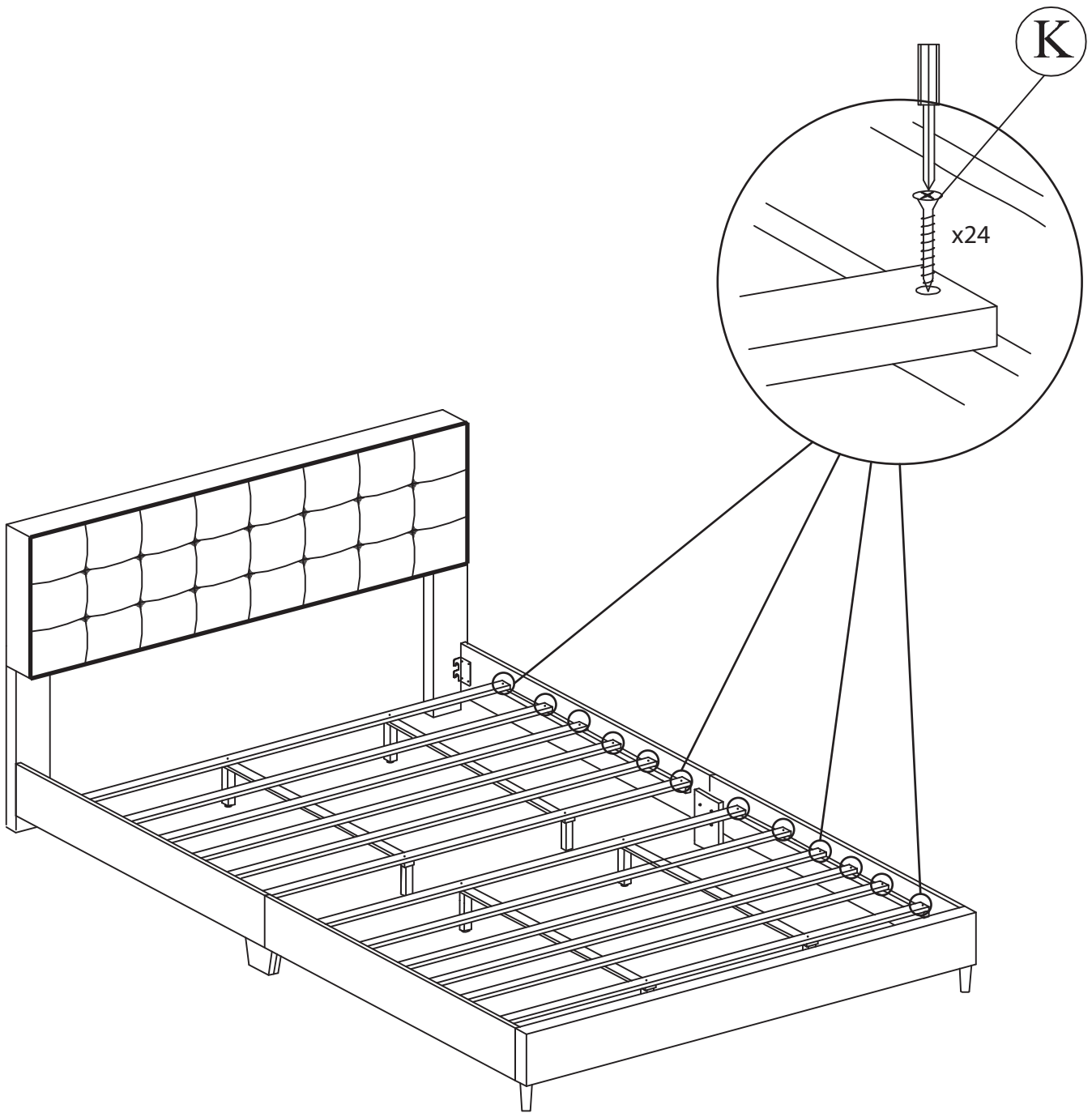
Thread "L" Hardware
into Position But Do
Not Tighten





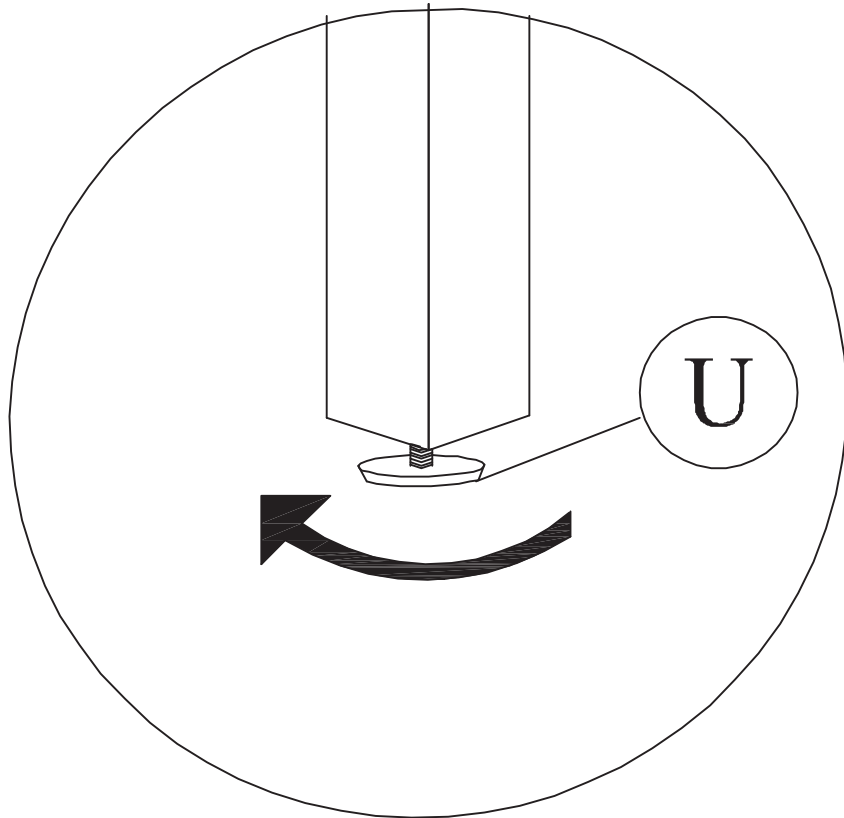






Use Screwdriver to Install
“K” Screws Through Each
Slat into Side Rail Cleat

Adjust Leveling Feet “U” to
Touch Floor



NEED ADDITIONAL HELP?

Email our support team: help@ovis.co

CAUTION:

Do not attempt to move the bed when fully assembled. This could result in damage to the rails, headboard, or footboard.

When placing furniture on non-carpeted flooring, we recommend the use of floor protection such as an arearug or furniture pads. Area rugs and padding not included with purchase.