
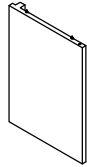
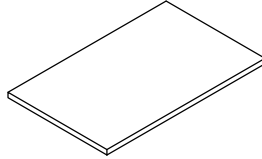
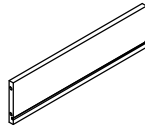
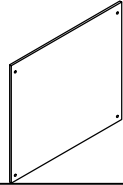


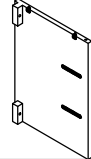
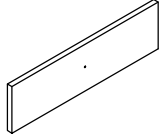

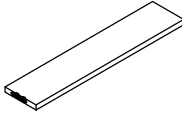
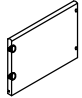

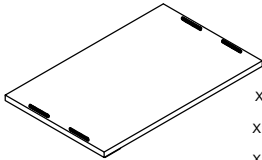
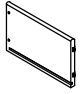
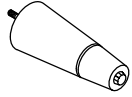
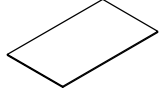


ASSEMBLY INSTRUCTIONS / NOTICE DE MONTAGE / INSTRUCCIONES DE MONTAJE

ITEM NO. / ARTICLE NO. / ARTICULO NO : DS-D374-001

DESCRIPTION / DESCRIPCIÓN/Description :Glam Dresser Nightstand/El armario de la cómoda/La commode

	 <p>(A) X1 LEFT SIDE PANEL X1 Panel izquierdo X1 Panneau gauche</p>	 <p>(G) X1 TOP PANEL X1 Techo X1 Le toit</p>	 <p>(M) X3 Drawer Back Panel X3 Después de bombear X3 Après pompage</p>
	 <p>(B) X1 BACK PANEL X1 Placa posterior X1 Fond de panier</p>	 <p>(H) X4 dowel Ø8*30mm X4 Hibisco Ø8*30mm X4 Hibiscus Ø8*30mm</p>	 <p>(N) X16 Bolt Ø1/4**23mm X16 Perno Ø1/4**23mm X16 Boulon Ø1/4**23mm</p>
	 <p>(C) X1 RIGHT SIDE PANEL X1 Panel lateral derecho X1 Panneau latéral droit</p>	 <p>(I) X3 Drawer Front X3 Panel de bombeo X3 Panneau de pompage</p>	 <p>(O) X3 Knob 40*20*L70mm X3 Manejar 40*20*L70mm X3 Poignée 40*20*L70mm</p>
	 <p>(D) X2 Middle shelf X2 Plato medio X2 Plaque médiane</p>	 <p>(J) X3 Left Drawer Sides X3 Placa lateral X3 Plaque latérale</p>	 <p>(P) X3 Handle screw Ø5/32**25mm X3 Tornillo de la manija Ø5/32**25mm X3 Vis de poignée Ø5/32**25mm</p>
	 <p>(E) X1 Bottom Panel X1 Piso intermedio X1 Étage intermédiaire</p>	 <p>(K) X3 Right Drawer Sides X3 Placa lateral X3 Plaque latérale</p>	
	 <p>(F) X4 Leg X4 Panel izquierdo X4 Panneau gauche</p>	 <p>(L) X3 Drawer Bottom Panel X3 Dibujar la placa inferior X3 Dessiner la plaque inférieure</p>	

ASSEMBLY INSTRUCTIONS / NOTICE DE MONTAGE / INSTRUCCIONES DE MONTAJE

ITEM NO. / ARTICLE NO. / ARTICULO NO : DS-D374-001

DESCRIPTION / DESCRIPCIÓN/Description :Glam Dresser Nightstand/El armario de la cómoda/La commode

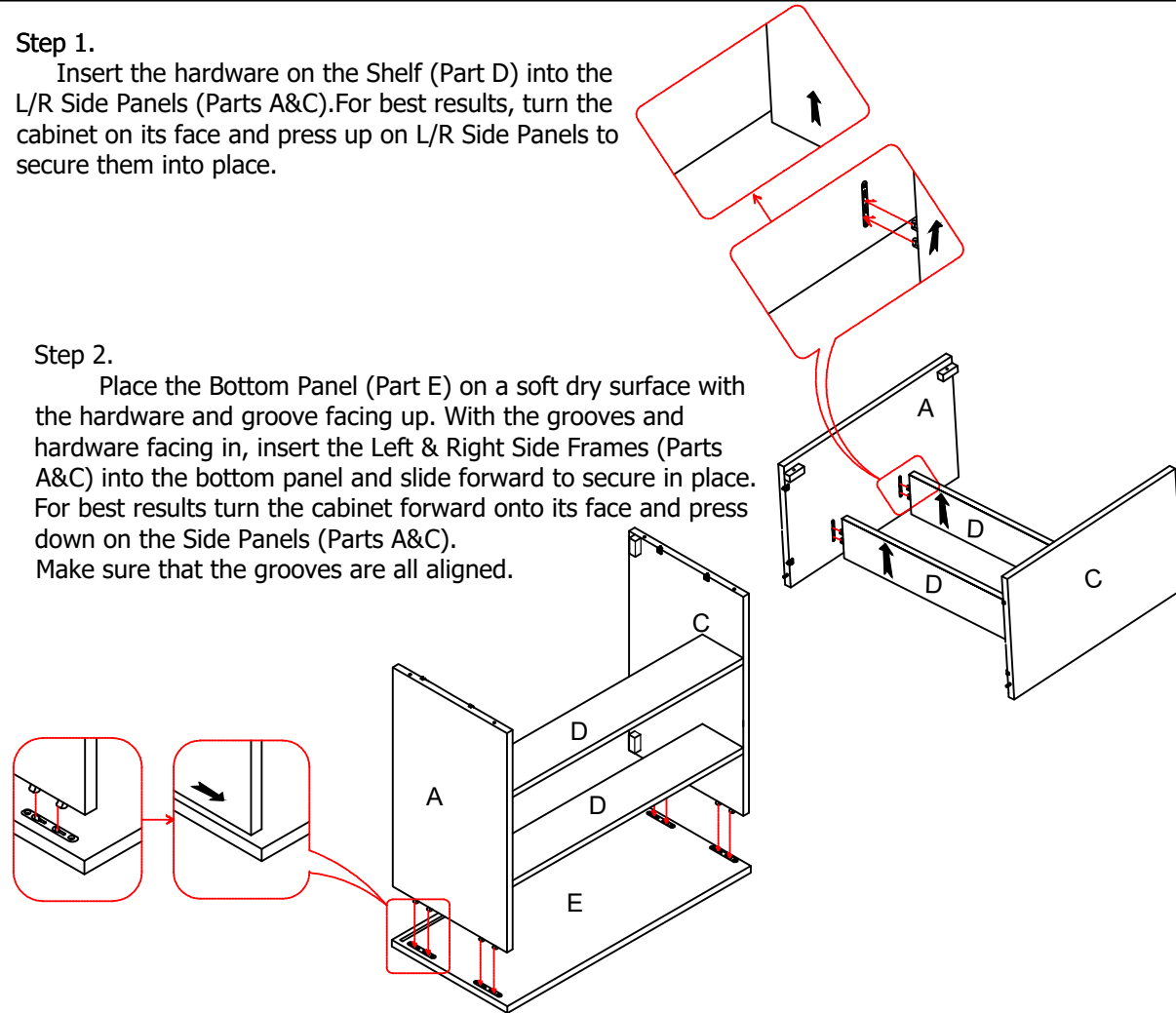


Step 1.

Insert the hardware on the Shelf (Part D) into the L/R Side Panels (Parts A&C). For best results, turn the cabinet on its face and press up on L/R Side Panels to secure them into place.

Step 2.

Place the Bottom Panel (Part E) on a soft dry surface with the hardware and groove facing up. With the grooves and hardware facing in, insert the Left & Right Side Frames (Parts A&C) into the bottom panel and slide forward to secure in place. For best results turn the cabinet forward onto its face and press down on the Side Panels (Parts A&C). Make sure that the grooves are all aligned.



ASSEMBLY INSTRUCTIONS / NOTICE DE MONTAGE / INSTRUCCIONES DE MONTAJE

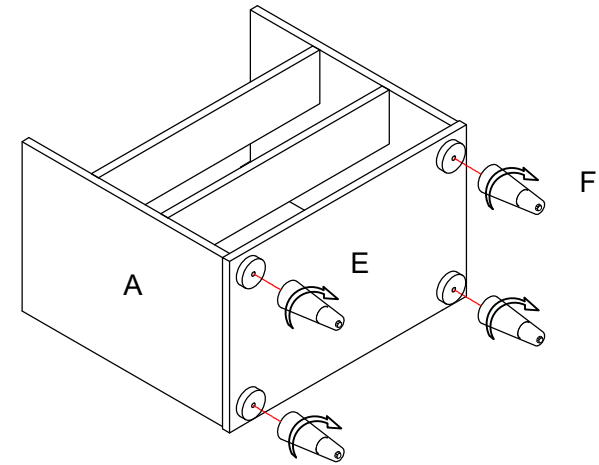
ITEM NO. / ARTICLE NO. / ARTICULO NO : DS-D374-001

DESCRIPTION / DESCRIPCIÓN/Description :Glam Dresser Nightstand/El armario de la cómoda/La commode



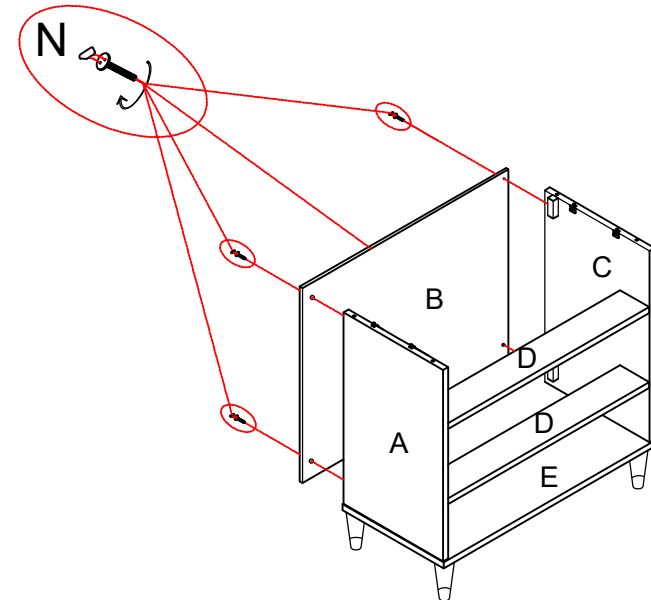
Step 3.

Lay down the total frame on a soft floor, screw the 4 Legs (Part F) into the bottom of the frame in the clockwise direction.



Step 4.

Screw the Bolt (Part N) into pre-buried metal holes on the back panel in the clockwise direction.



ASSEMBLY INSTRUCTIONS / NOTICE DE MONTAGE / INSTRUCCIONES DE MONTAJE

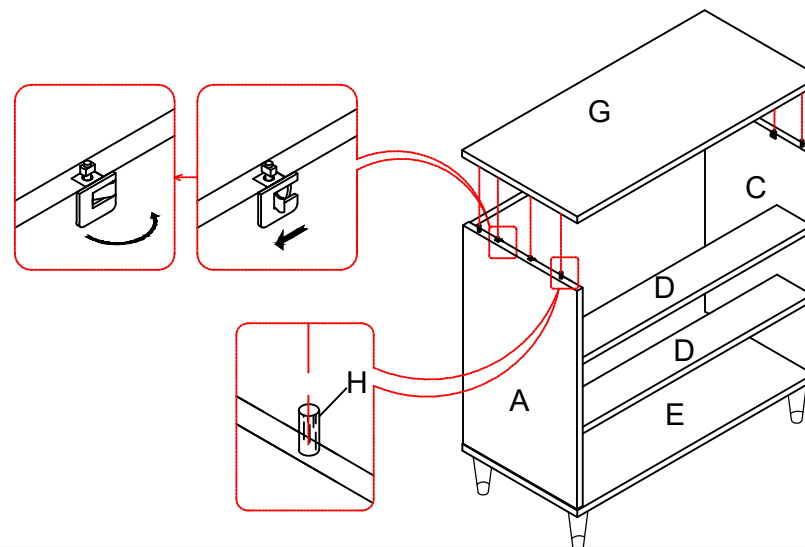
ITEM NO. / ARTICLE NO. / ARTICULO NO : DS-D374-001

DESCRIPTION / DESCRIPCIÓN/Description :Glam Dresser Nightstand/El armario de la cómoda/La commode



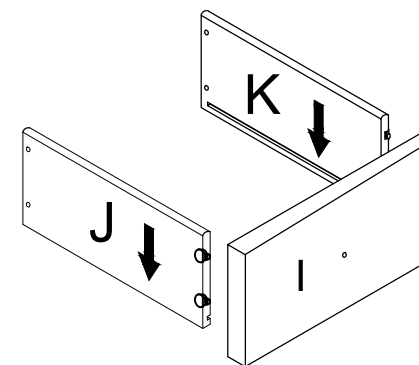
Step 5.

Make sure that the switch locking hardware in Parts A, B & C are in the open position as indicated by the straight arrow in the diagram below. Align the hardware in the Top Panel (Part G) with the switch hardware in the side and back panels and lower it into place. Making sure that the hardware is completely inserted into the top turn the switches to secure it into place as indicated by the curved arrow below.



Step 6.

Align the hardware on the L/R Drawer Sides (Part J & K) with the hardware on the Drawer Front (Part I) making sure that the grooves on the drawer sides are facing in and at the bottom of the drawer. Also ensure the the drawer glides are facing out.



ASSEMBLY INSTRUCTIONS / NOTICE DE MONTAGE / INSTRUCCIONES DE MONTAJE

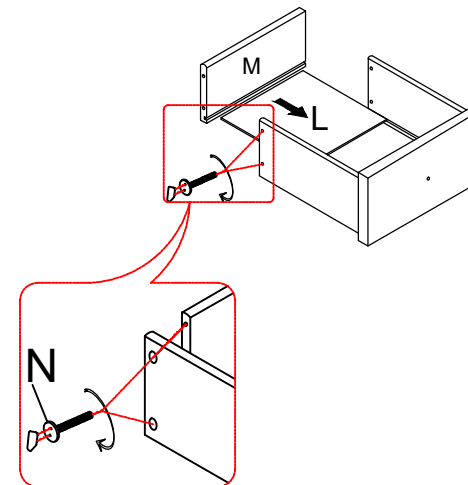
ITEM NO. / ARTICLE NO. / ARTICULO NO : DS-D374-001

DESCRIPTION / DESCRIPCIÓN/Description :Glam Dresser Nightstand/El armario de la cómoda/La commode



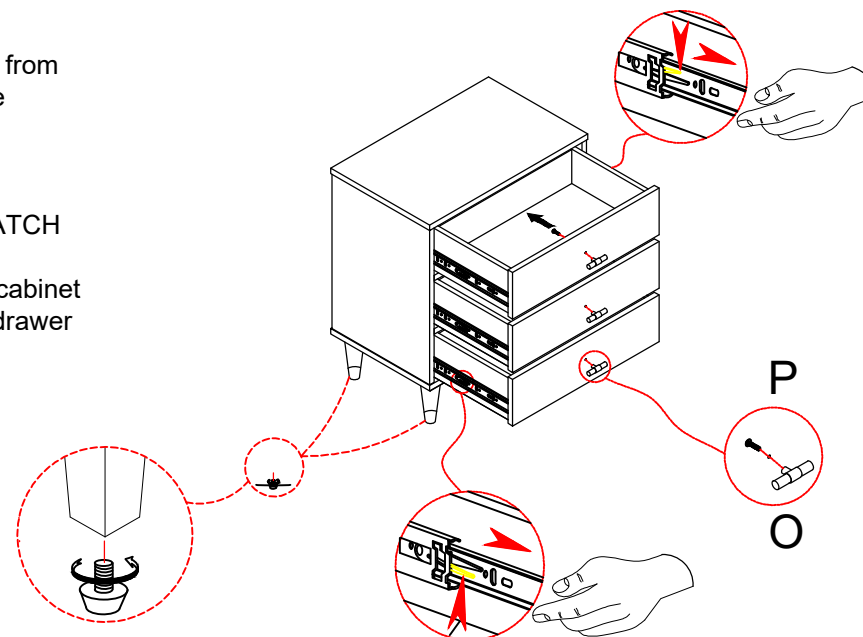
Step 7.

Insert the Drawer Bottom (Part L) into the grooves in the side panels and press forward until the front edge goes completely into the groove in the drawer front. Add the Back Panel (Part M) making sure the bottom panel insert completely into the groove. Insert Bolts (Part N) and turn clockwise to tighten completely.



Step 8.

Insert the bolt (Part P) into the hole from the back side of the drawer front. Add the Handle (Part O). Use a Phillips head screwdriver to tighten the bolt by turning clockwise. **DO NOT TURN THE HANDLE ITSELF TO TIGHTEN. YOU WILL SCRATCH THE DRAWER FRONT IF YOU DO.** Align the drawer glides with those in the cabinet and press forward. Open and close the drawer to get a smooth glide.



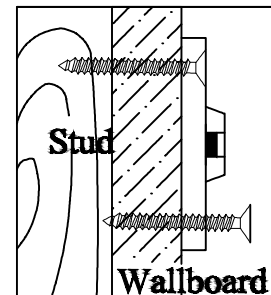
Furniture Safety Bracket Tip Resistant

- Designed to help prevent furniture tipover.
- Detachable strap allows for easy moving of furniture for cleaning .
- Also helps prevent furniture tipover during minor tremor.

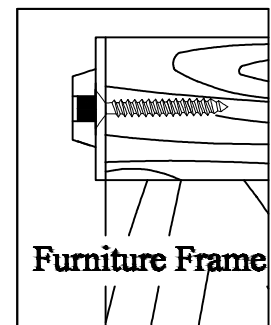
Installation:

1. Locate a wall stud behind your furniture. Position a bracket on the stud approximately 1" below the top of the furniture. Mark and drill pilot hole into the center of the stud with a 3/32" drill bit. Attach a bracket to the stud with the long screws provided.

2. On the back of the furniture, a bracket will need to be attached to the furniture frame at the top. To do this, temporarily move the furniture into its final position and mark the location of the wall bracket on the furniture frame. Move the furniture away from the wall and place a bracket on the mark. Mark and drill holes for screws with a 3/32" drill bit. Attach the bracket to the furniture with the short screws provided.



3. Move the furniture into its final position, taking care to line up the wall bracket with the furniture bracket. Thread a strap through the bracket as shown in the illustration. Tighten strap until snug. Do not over tighten.



Important:

Check to be sure the wall bracket is firmly screwed into wall stud, the furniture bracket is firmly attached to the frame, and the strap is snug.

Caution:

This product is not to be a substitute for proper parental supervision. Manufacturer assumes no liability for improper installation or excessive loads placed on screws brackets or straps.

