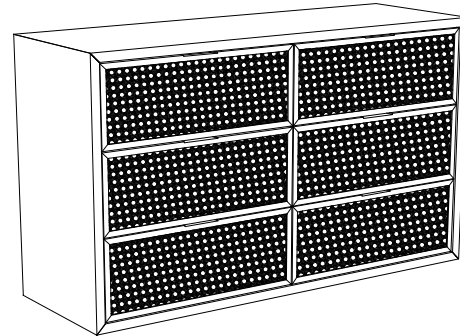
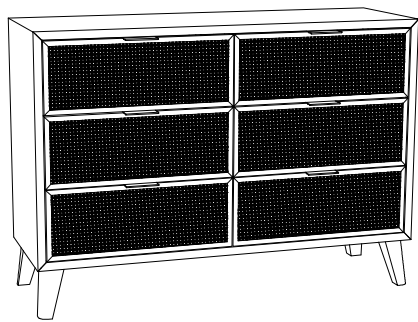


PARTS LIST / LISTE DES PIÈCES / LISTA DE PIEZAS

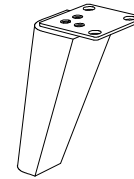
ITEM NO. / ARTICLE NO. / ARTICULO NO : DS-D314-002.

DESCRIPTION / DESCRIPCIÓN : DRESSER / COMMODE / TOCADOR.



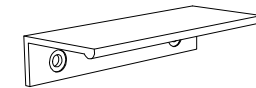
A

x1 Dresser *
x1 Commode
x1 Tocador



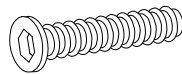
B

x4 Legs *
x4 Jambes
x4 Piernas



1

x6 Pull *
x6 Poignée
x6 Tirador



2

x12 Bolt M8 x 20mm *
x12 Boulon M8 x 20mm
x12 Perno M8 x 20mm



3

x12 Lock washer M8 *
x12 Rondelle de blocage M8
x12 Arandela de seguridad M8



4

x12 Flat Washer M8 x 19mm *
x12 Rondelle plate M8 x 19mm
x12 Arandela plana M8 x 19mm



5

x1 Allen Key M4x110mm *
x1 Clé hexagonale M4x110mm
x1 Llave Allen M4x110mm

* Replaceable Part

ASSEMBLY INSTRUCTIONS / NOTICE DE MONTAGE / INSTRUCCIONES DE MONTAJE

ITEM NO. / ARTICLE NO. / ARTICULO NO : DS-D314-002.

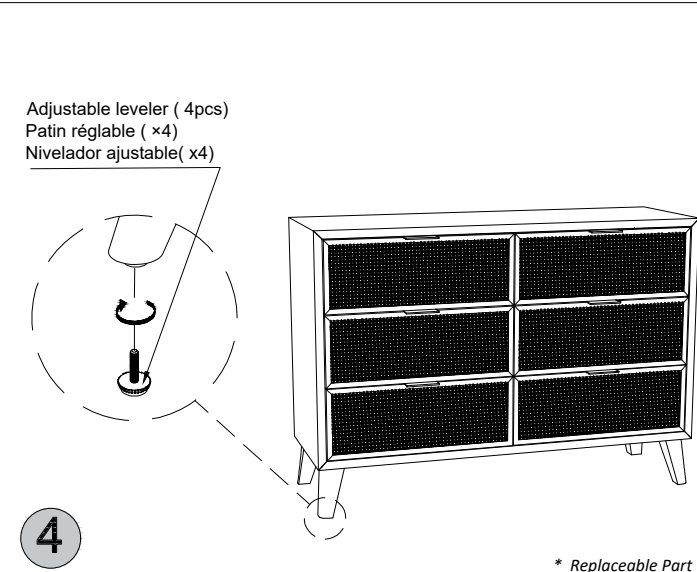
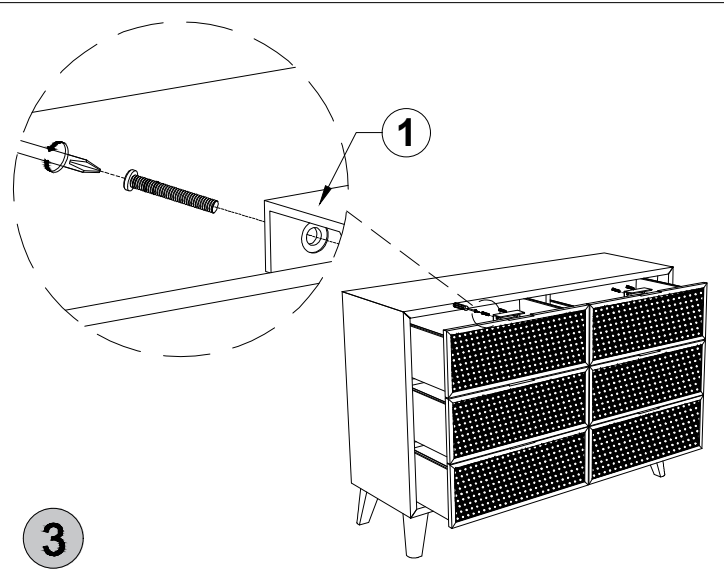
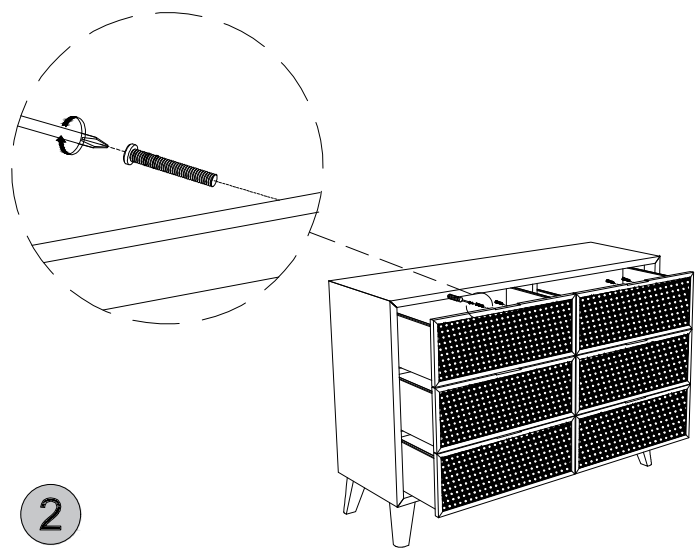
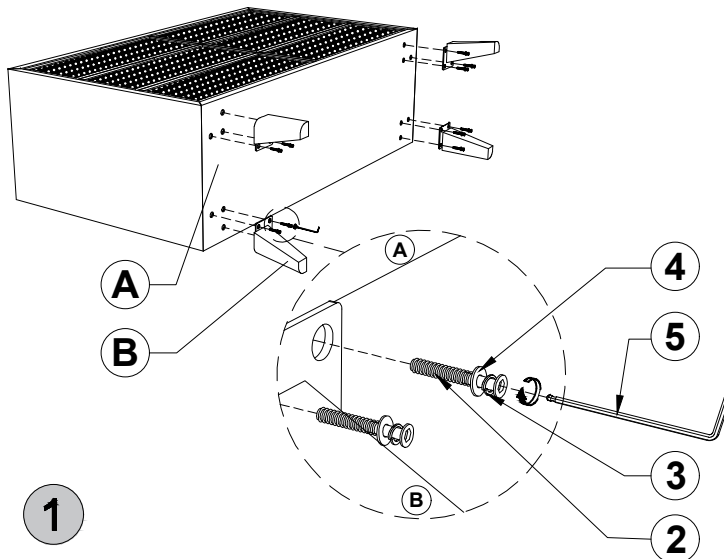
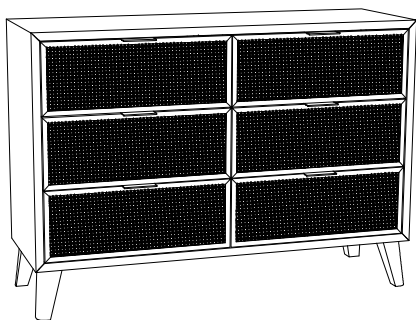
DESCRIPTION / DESCRIPCIÓN : DRESSER / COMMODE / TOCADOR.

⚠ WARNING

Children have died from furniture tipover. To reduce the risk of furniture tipover:

- ALWAYS install tipover restraint provided.
- NEVER put a TV on this product.
- NEVER allow children to stand, climb or hang on drawers, doors, or shelves.
- NEVER open more than one drawer at a time.
- Place heaviest items in the lowest drawers.

This is a permanent label. Do not remove!

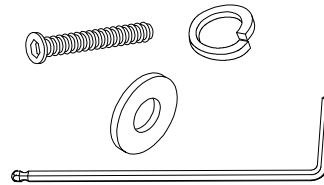
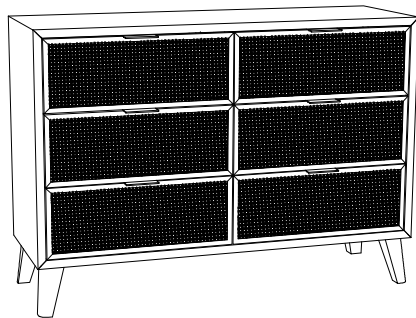


* Replaceable Part

REPLACEABLE PARTS / PARTIE REMPLAÇABLE / PARTE REEMPLAZABLE

ITEM NO. / ARTICLE NO. / ARTICULO NO : DS-D314-002.

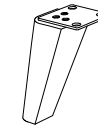
DESCRIPTION / DESCRIPCIÓN : DRESSER / COMMODE / TOCADOR.



x1 RD314-002-HWKIT - Hardware Kit *

Liste des pièces de quincaillerie

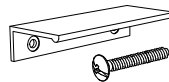
Lista del kit de materiales



x4 RD314-002-LEG - Legs *

Jambes

Piernas



x6 RD314-002-PULL - Pull with Screw *

Pignée et vis

Tirador y Tornillo



x6 RD314-002-DG - Drawer Glide *

Glissière

Carril de deslizamiento



x4 RC-FG-BLACK - Black leveler *

Patin réglable

Nivelador

* Replaceable Part