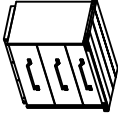








LANCASTER 3 DRAWERS DRESSER

Assembly instructions:

PARTS LIST

No.	DESCRIPTION	IMAGE	QTY
P1	NIGHT STAND		1
P2	LEG FRAME		1
P3	LEG FRAME		1

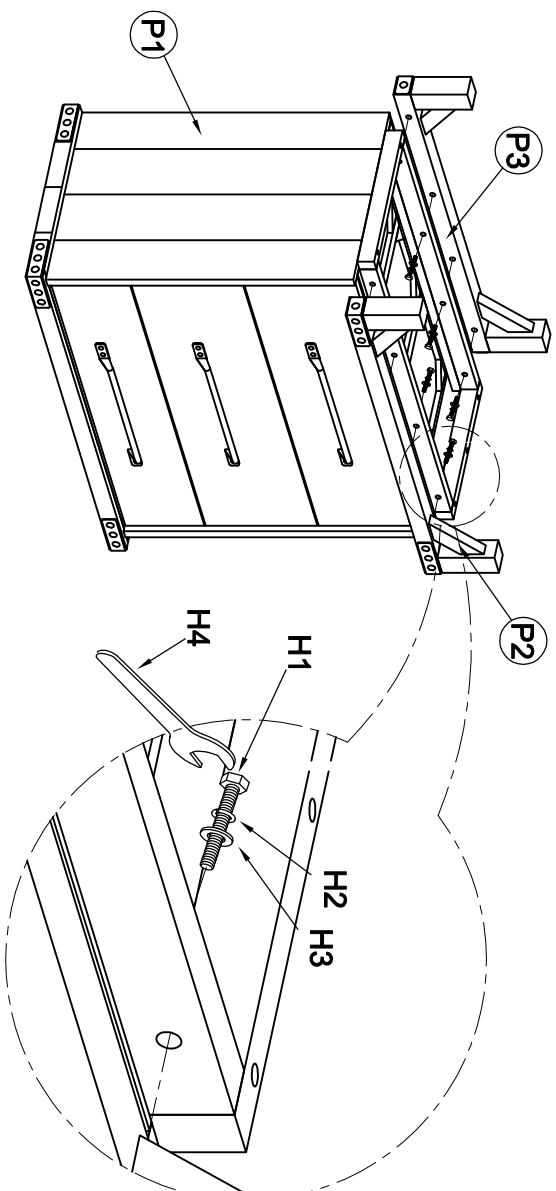
HARDWARE LIST

No.	DESCRIPTION	IMAGE	QTY
H1	BOLT (Ø8X40 MM)		8
H2	SPRING WASHER		8
H3	FLAT WASHER		8
H4	WRENCH		1

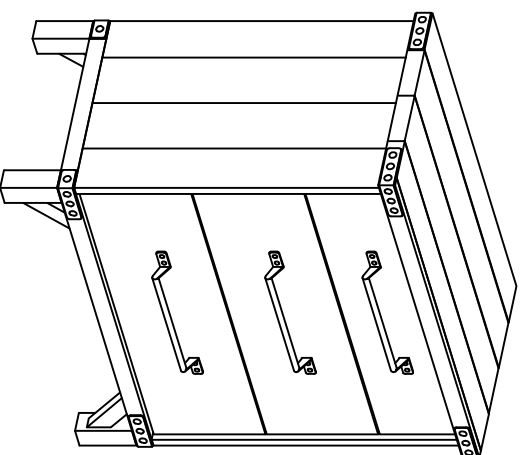
NOTE: PO# is located underneath/ inside of each item. Please be prepared to provide this # should any claim be necessary.

Estimate Assembly time : 3.5 minutes

1



2



ASSEMBLY COMPLETED