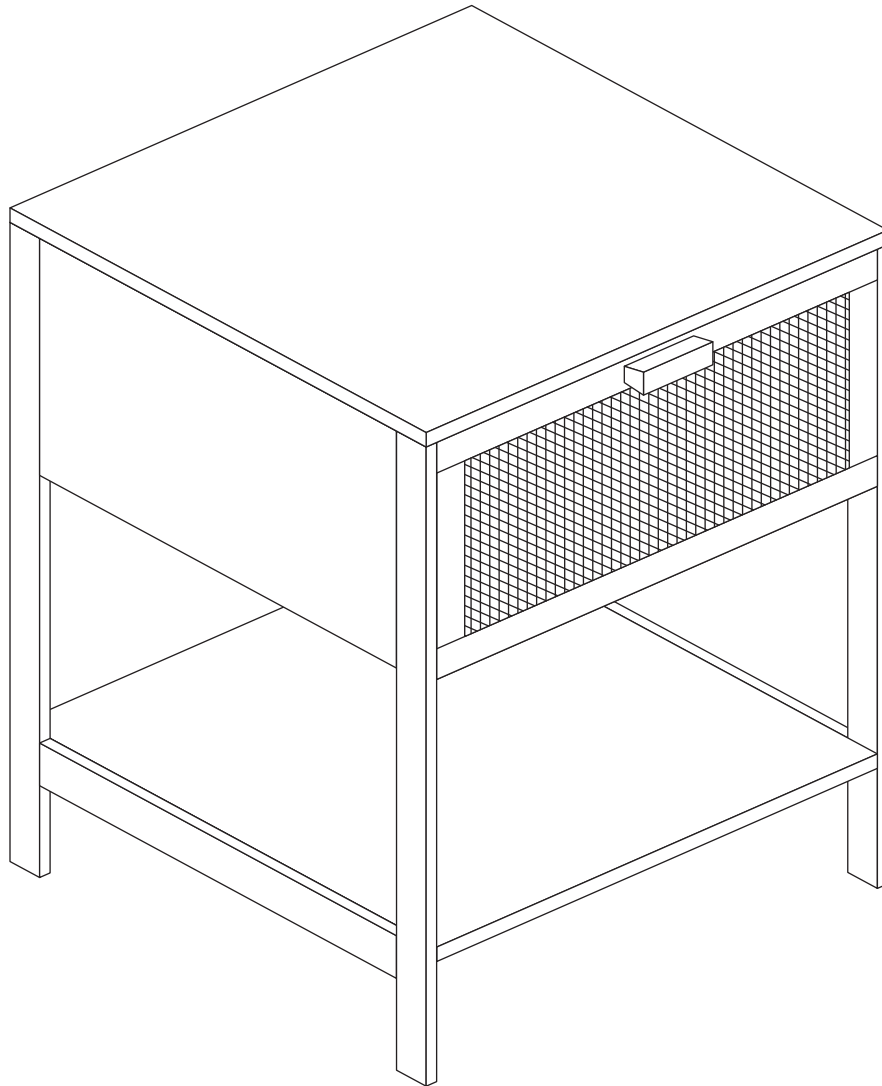


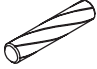

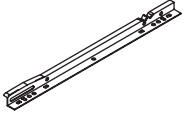
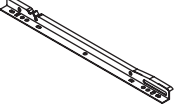
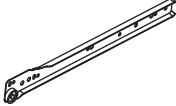
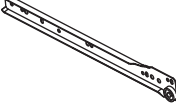

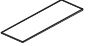






NIGHT STAND

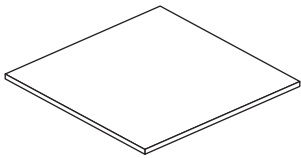


ASSEMBLY INSTRUCTION

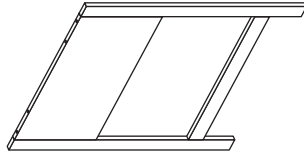
HARDWARE LIST

a 16 PCS		b 16 PCS		c 8 PCS		d 7 PCS		e 1 PC	
f 1 PC		g 1 PC		h 1 PC		i 8 PCS		j 4 PCS	
k 1 PC		l 2 PCS		m 1 PC		n 1 PC			

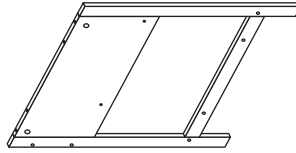
PARTS LIST



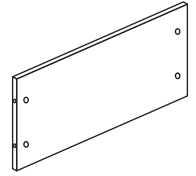
1 - 1 PC



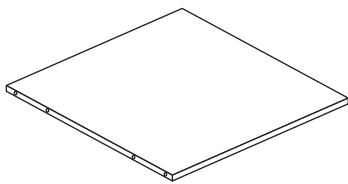
2 - 1 PC



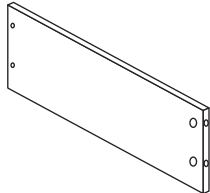
3 - 1 PC



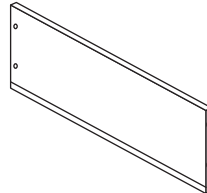
4 - 1 PC



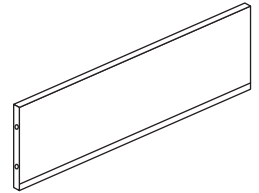
5 - 1 PC



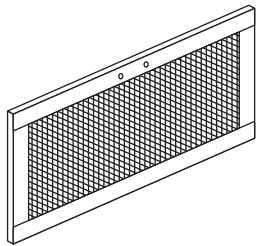
6 - 1 PC



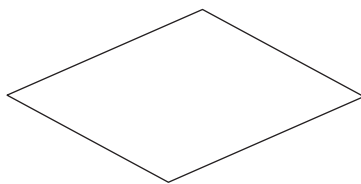
7 - 1 PC



8 - 1 PC



9 - 1 PC



10 - 1 PC



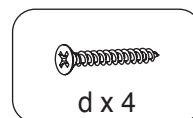
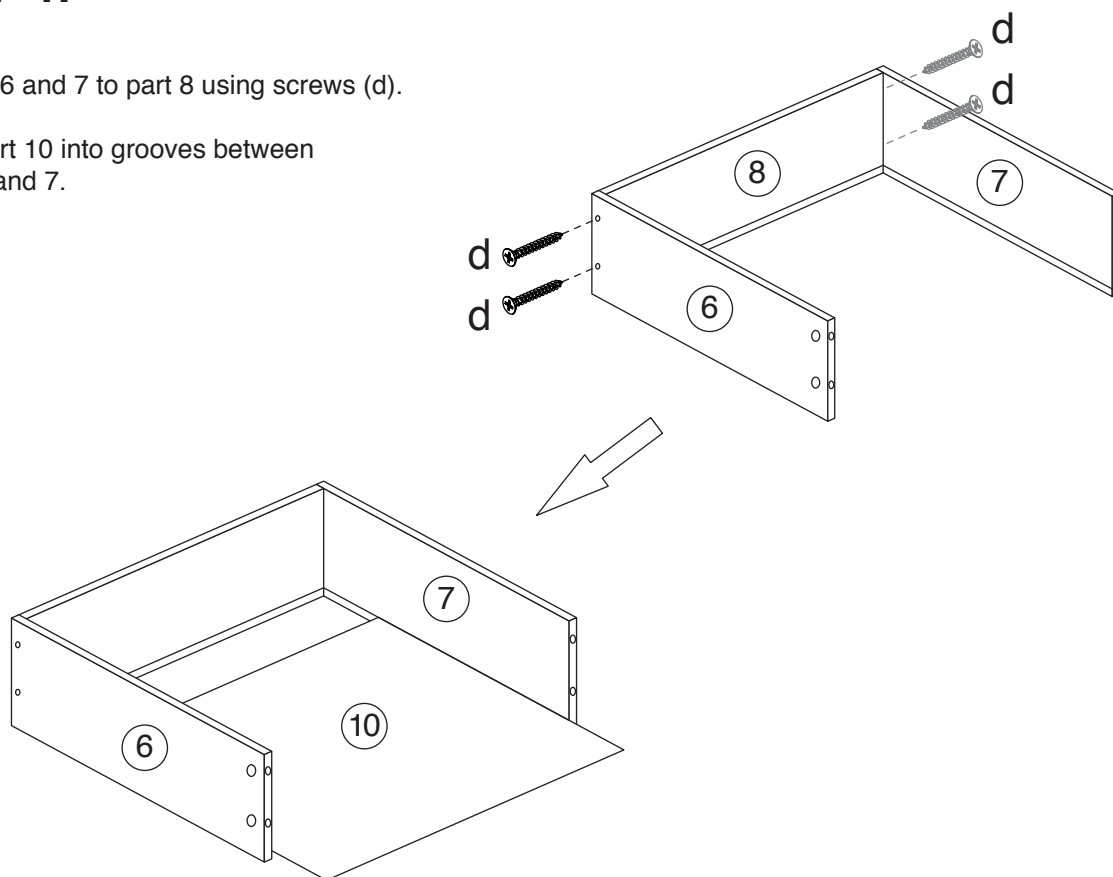
11 - 1 PC

ASSEMBLY STEPS

STEP 1.

Fix part 6 and 7 to part 8 using screws (d).

Slide part 10 into grooves between parts 6 and 7.

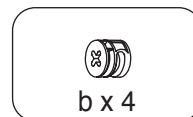
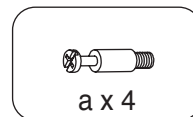
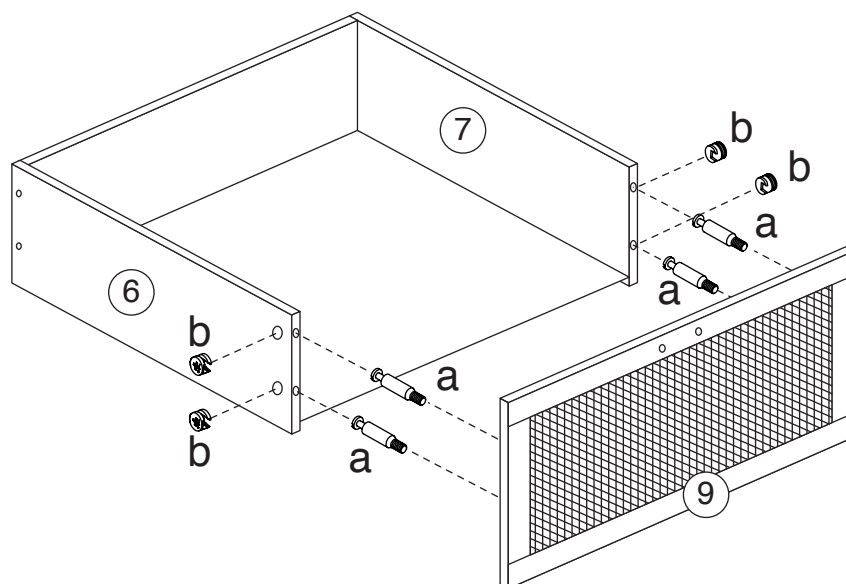


STEP 2.

Insert quickfit screws (a) to part 9 and insert cam locks (b) to parts 6 and 7.

Fit part 9 to parts 6 and 7.

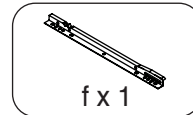
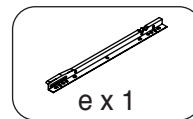
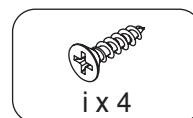
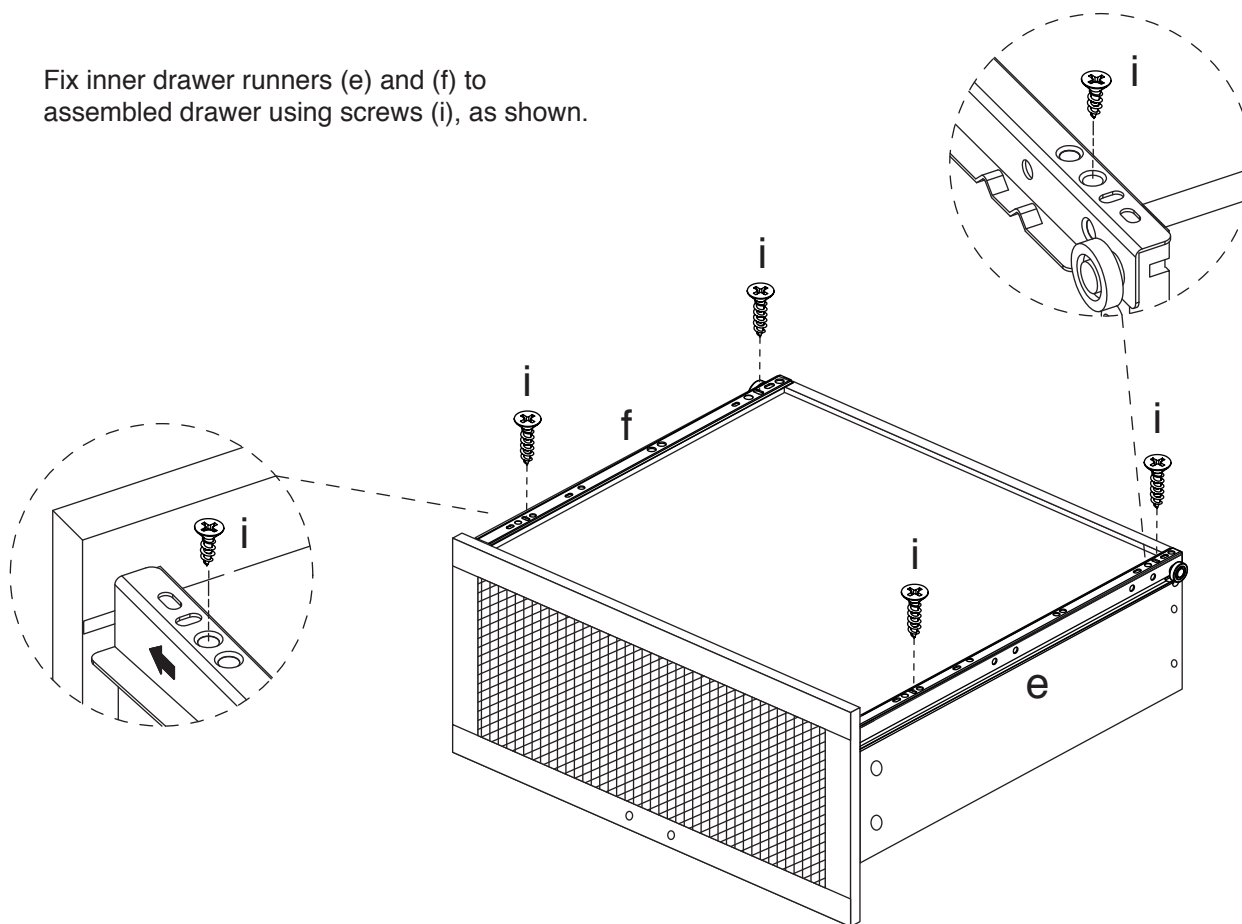
Turn cam locks clockwise to tighten.



ASSEMBLY STEPS

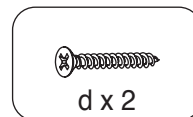
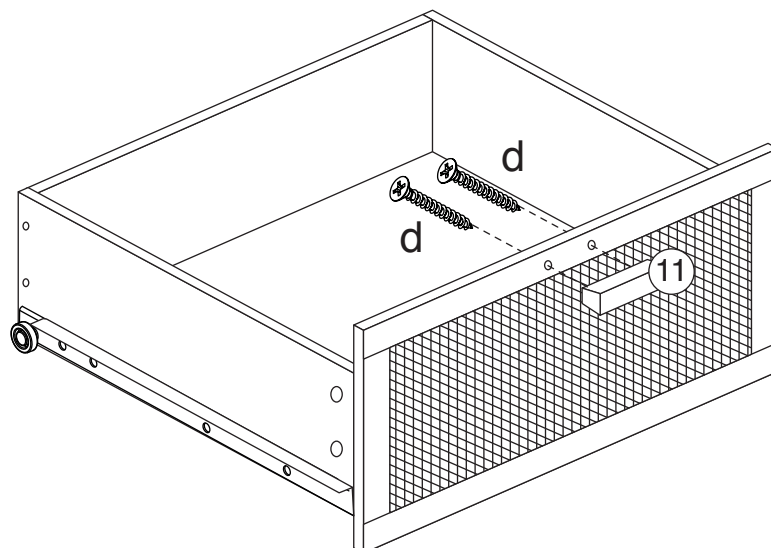
STEP 3.

Fix inner drawer runners (e) and (f) to assembled drawer using screws (i), as shown.



STEP 4.

Fix handle 11 to assembled drawer using screws (d).

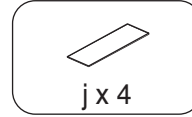
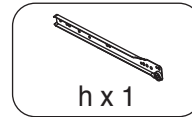
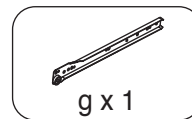
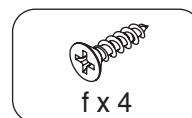
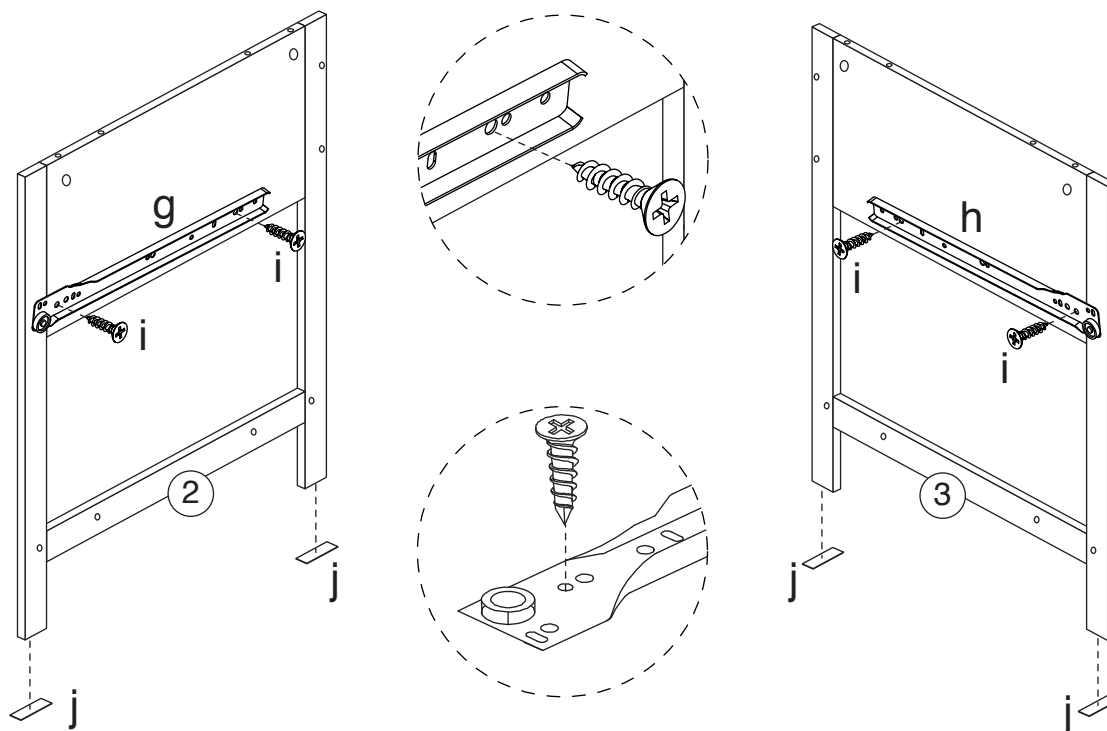


ASSEMBLY STEPS

STEP 5.

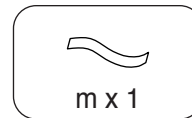
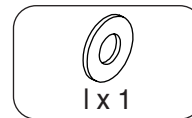
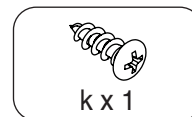
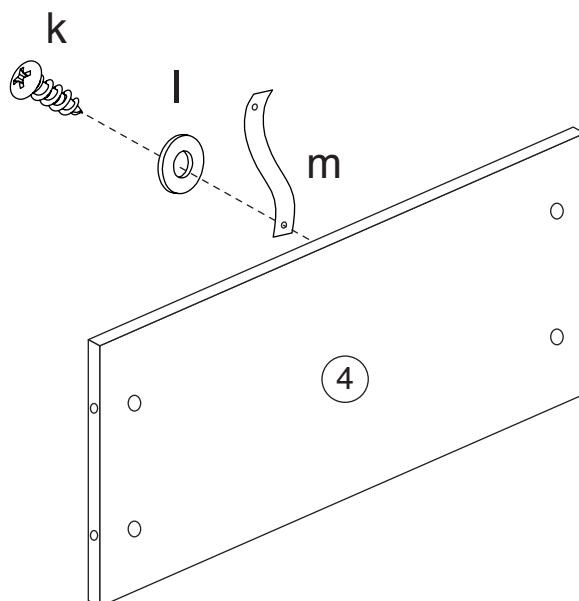
Fix outer drawer runners (g) and (h) to parts 2 and 3 using screws (i), as shown.

Stick (j) to parts 2 and 3, as shown.



STEP 6.

Fix wall strap (m) onto part 4 using washer (l) and screw (k).



ASSEMBLY STEPS

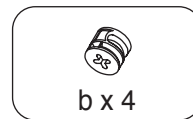
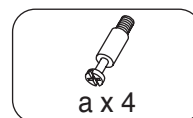
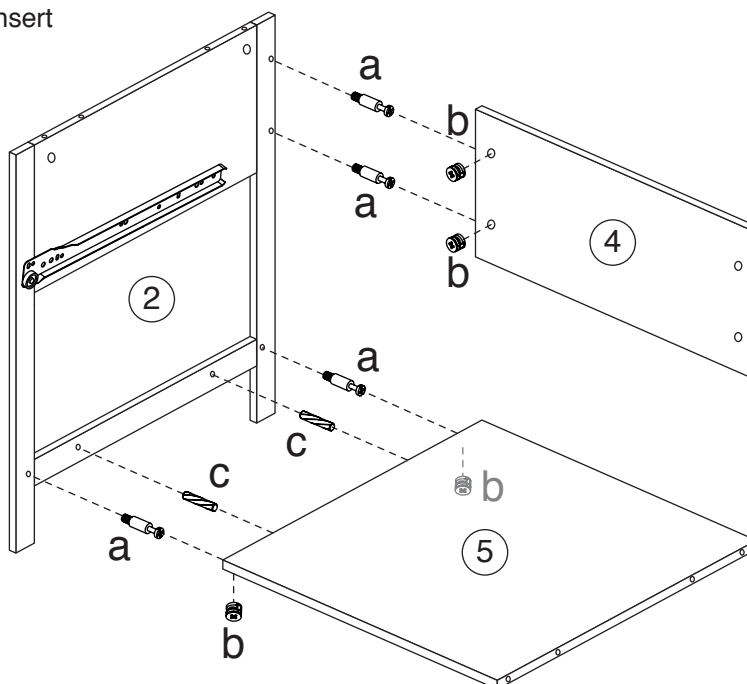
STEP 7.

Insert quickfit screws (a) to part 2 and insert camlocks (b) to parts 4 and 5.

Insert wooden dowels (c) to part 5.

Fit panel 4 and 5 to part 2.

Turn cam locks clockwise to tighten.



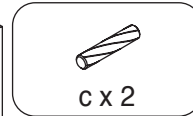
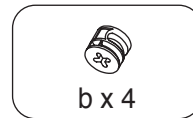
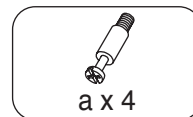
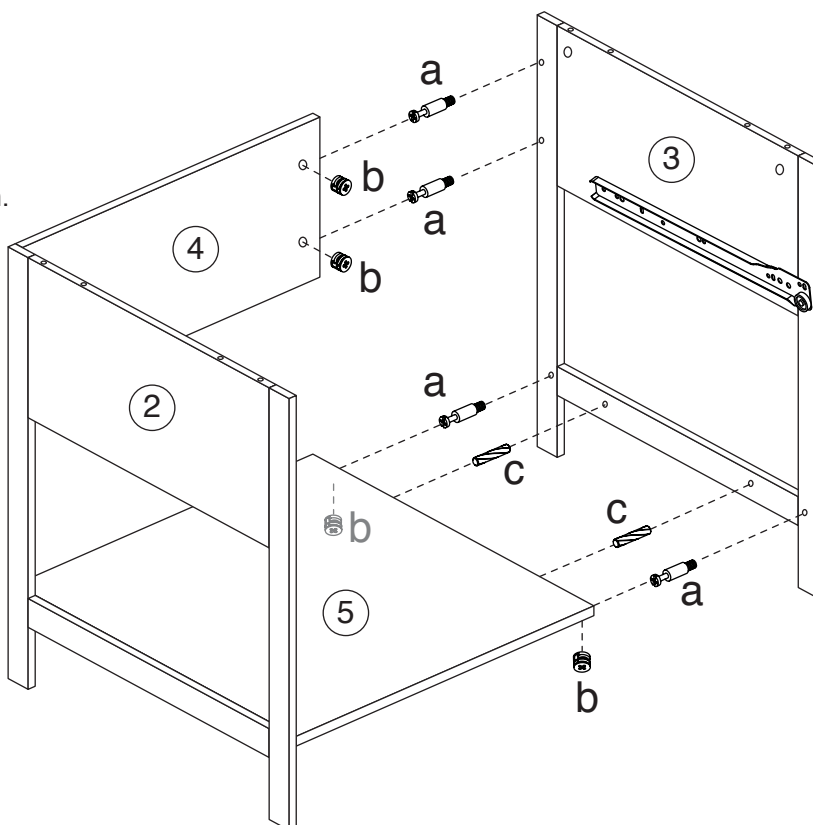
STEP 8.

Insert quickfit screws (a) to part 3 and insert camlocks (b) to parts 4 and 5.

Insert wooden dowels (c) to part 5.

Fit panel 3 to part 4 and 5.

Turn cam locks clockwise to tighten.



ASSEMBLY STEPS

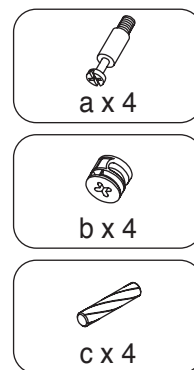
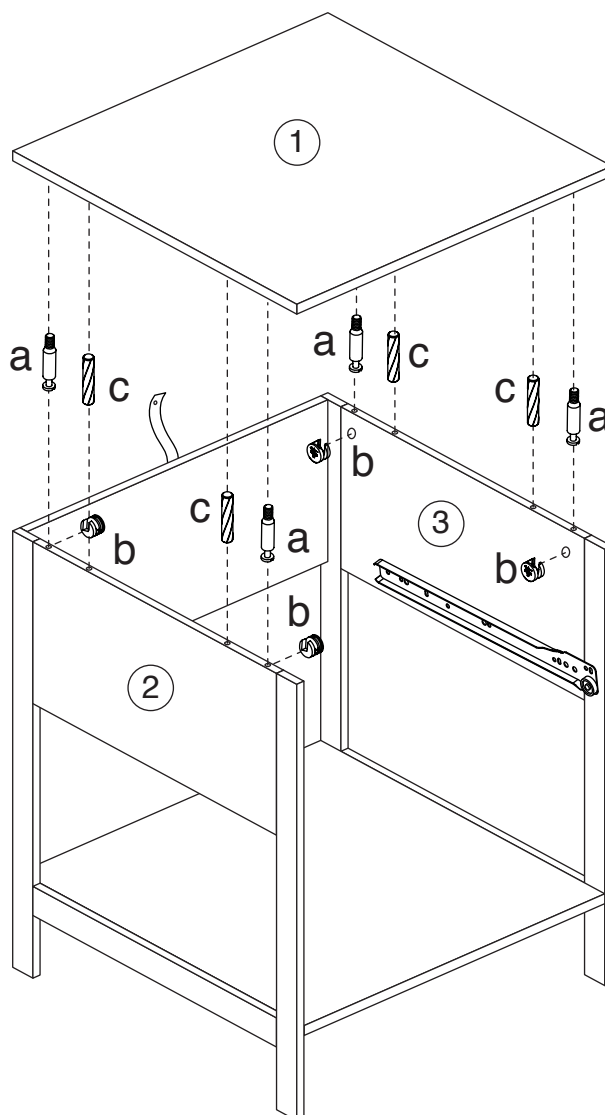
STEP 9.

Insert quickfit screws (a)
wooden dowels (c) to part 1.

Insert camlocks (b) to parts 2 and 3,
as shown.

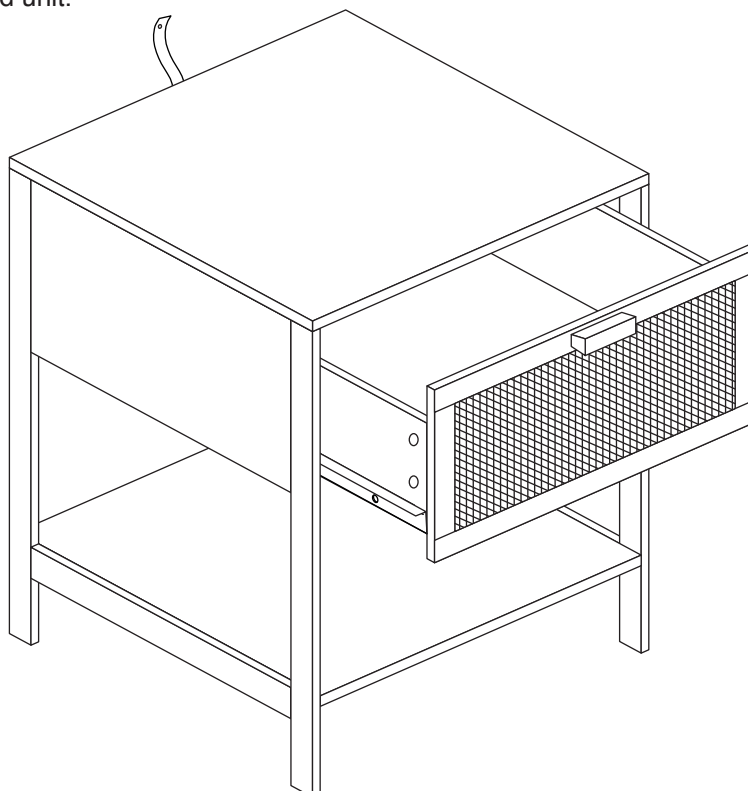
Fit panel 1 to parts 2 and 3.

Turn cam locks clockwise to tighten.



STEP 10.

Fit drawer into the assembled unit.



ASSEMBLY STEPS

STEP 12.

For extra stability, it is recommended that you fix your bedside table to the wall using the additional hardware (d, l and n), as shown.

Should you choose not to affix the product to the wall, serious injury may be caused if the product tips over.

