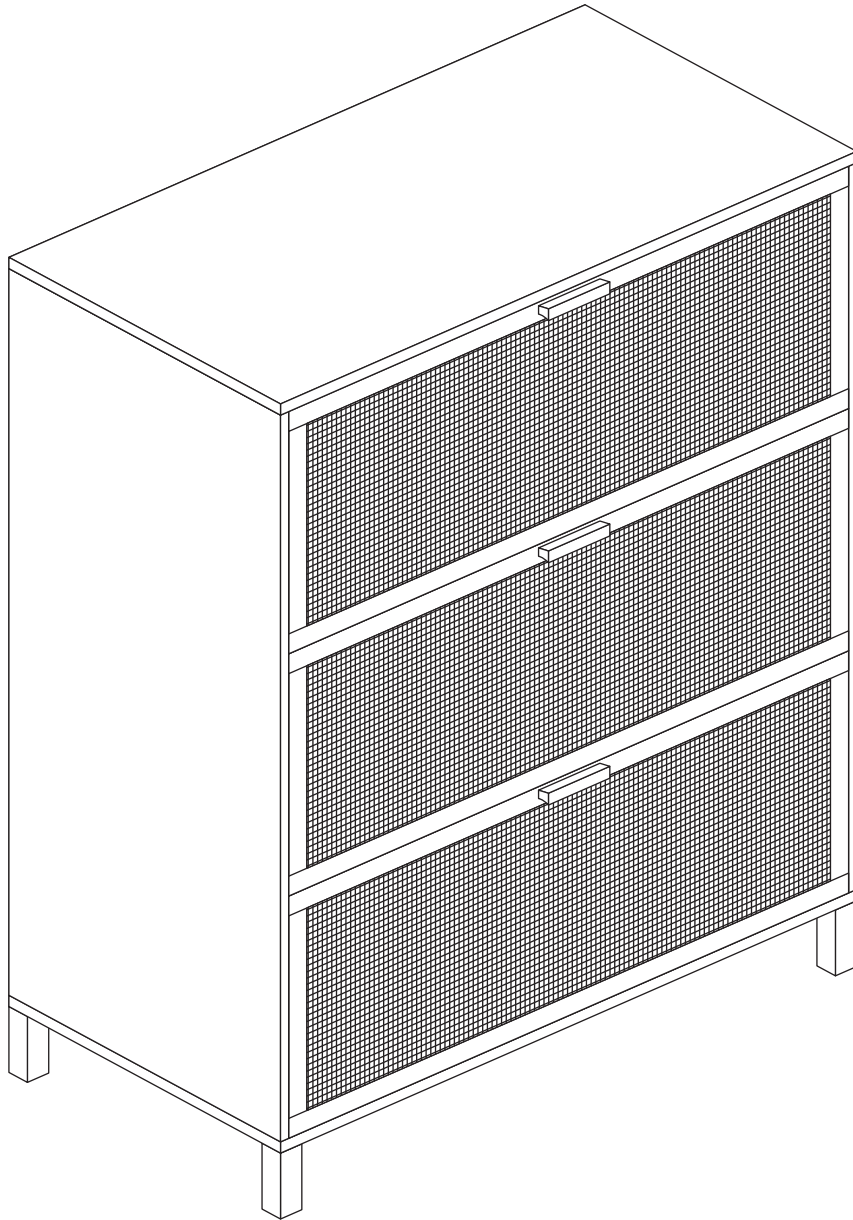
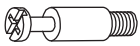

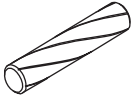

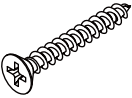
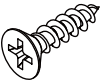
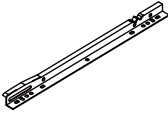
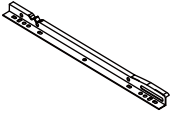
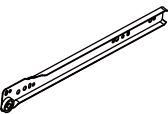
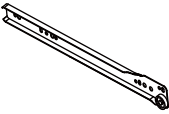
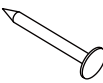
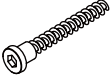
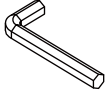



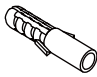



Chest of 3 Drawers

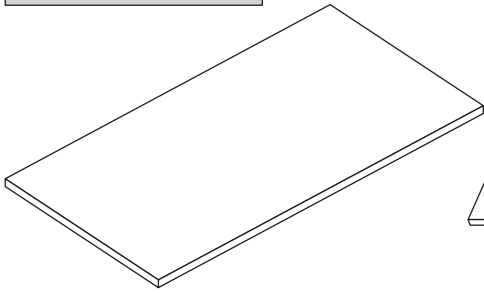


ASSEMBLY INSTRUCTION

HARDWARE LIST

<p>a</p> <p>27 PCS</p> 	<p>b</p> <p>27 PCS</p> 	<p>c</p> <p>20 PCS</p> 	<p>d</p> <p>21 PCS</p> 
<p>e</p> <p>7 PCS</p> 	<p>f</p> <p>30 PCS</p> 	<p>g</p> <p>3 PCS</p> 	<p>h</p> <p>3 PCS</p> 
<p>i</p> <p>3 PCS</p> 	<p>j</p> <p>3 PCS</p> 	<p>k</p> <p>16 PCS</p> 	<p>l</p> <p>4 PCS</p> 
<p>m</p> <p>1 PC</p> 	<p>n</p> <p>1 PS</p> 	<p>o</p> <p>2 PCS</p> 	<p>p</p> <p>1 PC</p> 
<p>q</p> <p>1 PC</p> 	<p>r</p> <p>4 PCS</p> 		

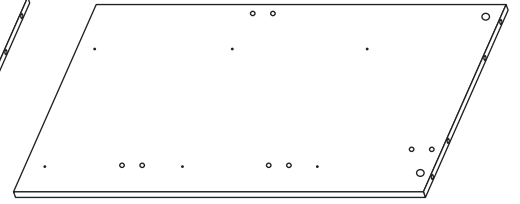
PARTS LIST



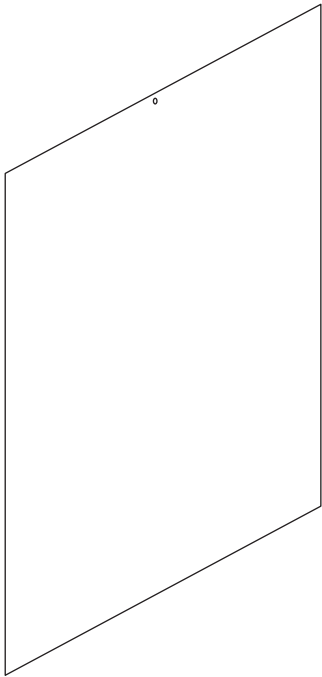
1 - 1 PC



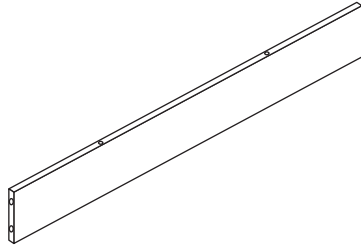
2 - 1 PC



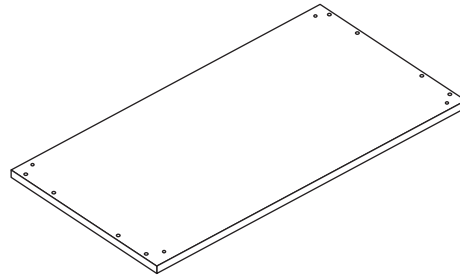
3 - 1 PC



4 - 1 PC



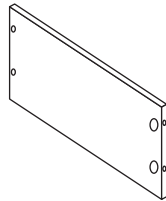
5 - 1 PC



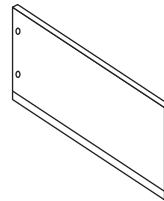
6 - 1 PC



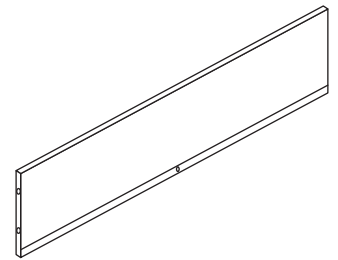
7 - 4 PCS



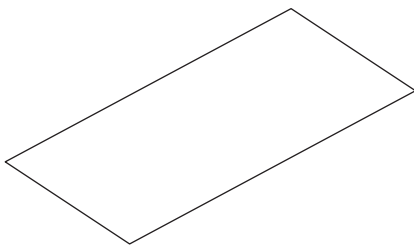
8 - 3 PCS



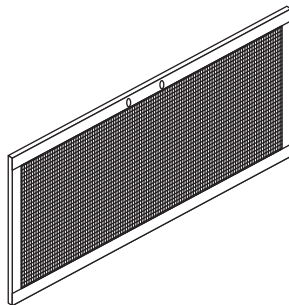
9 - 3 PCS



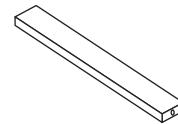
10 - 3 PCS



11 - 3 PCS



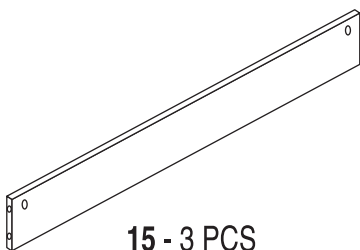
12 - 3 PCS



13 - 3 PCS



14 - 3 PCS

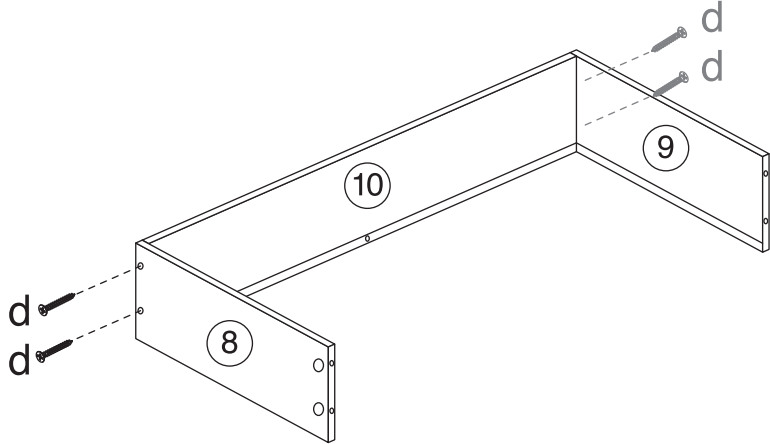


15 - 3 PCS

ASSEMBLY STEPS

STEP 1.

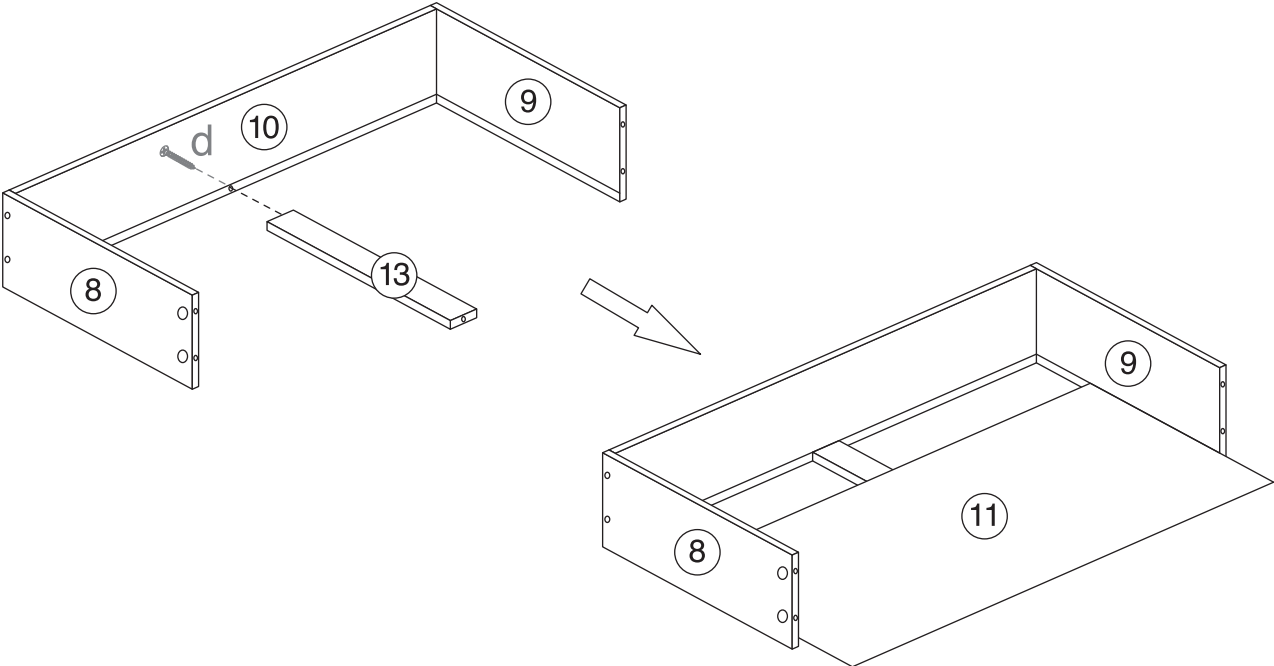
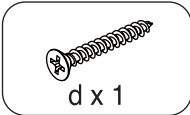
Fix part 8 and 9 to part 10 using screws (d).



STEP 2.

Fix part 13 to part 10 using screw (d).

Slide part 11 into grooves between parts 8 and 9.



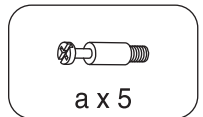
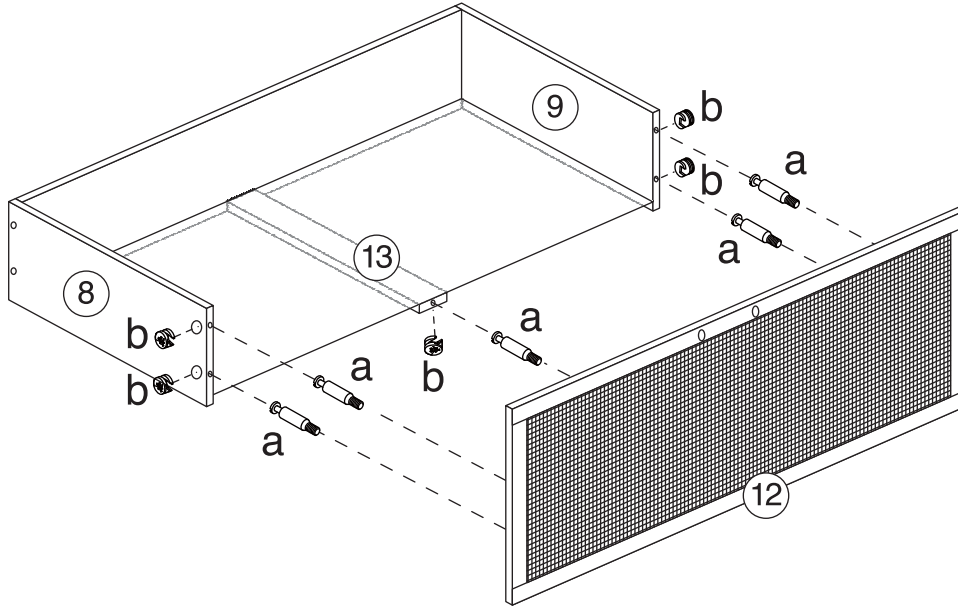
ASSEMBLY STEPS

STEP 3.

Insert quickfit screws (a) into part 12 and cam locks (b) to part 8, 9 and 13.

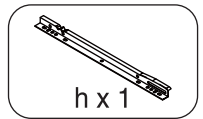
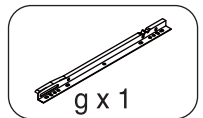
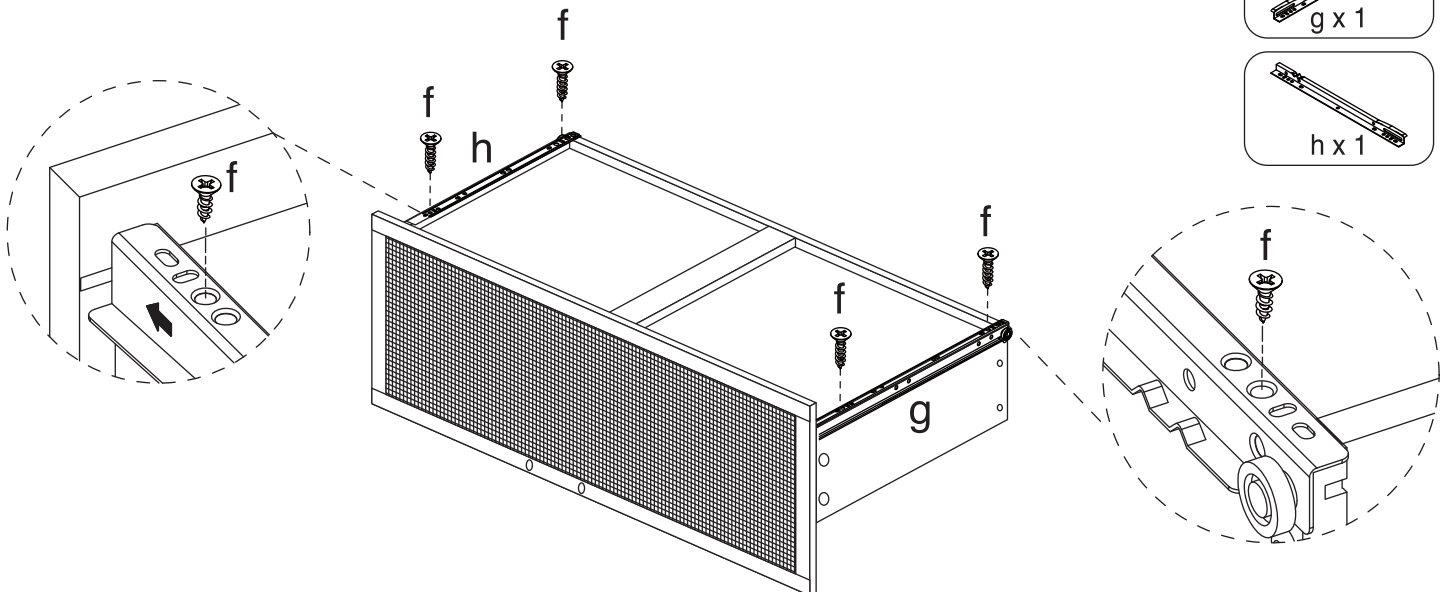
Attach part 12 to assembled drawer.

Turn cam locks clockwise to tighten.



STEP 4.

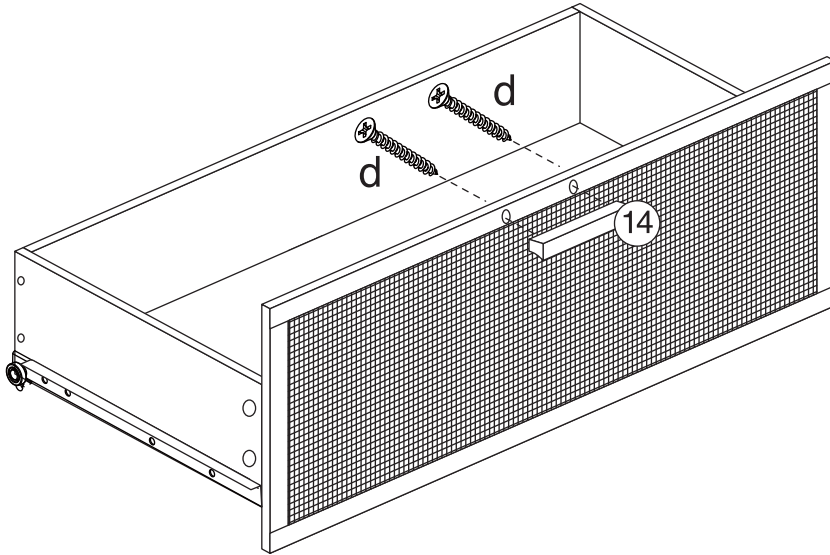
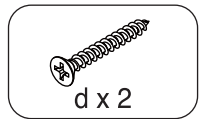
Fix inner drawer runner (h) and (g) to assembled drawer using screws (f), as shown.



ASSEMBLY STEPS

STEP 5.

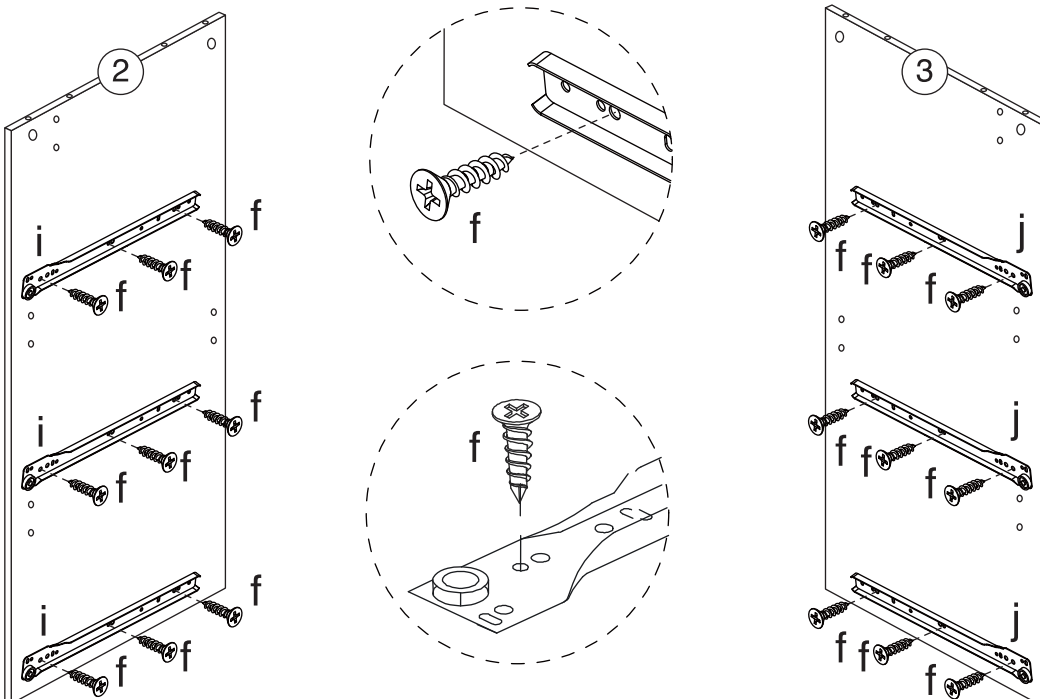
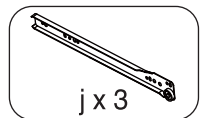
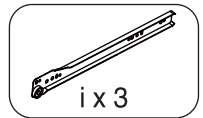
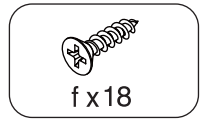
Fix handle 14 to assembled drawer using screw (d), as shown.



Repeat step 1 to 5 for remaining 2 drawers.

STEP 6.

Fix outer drawer runner (i) to part 2 and (j) to part 3 using screw (f), as shown.



ASSEMBLY STEPS

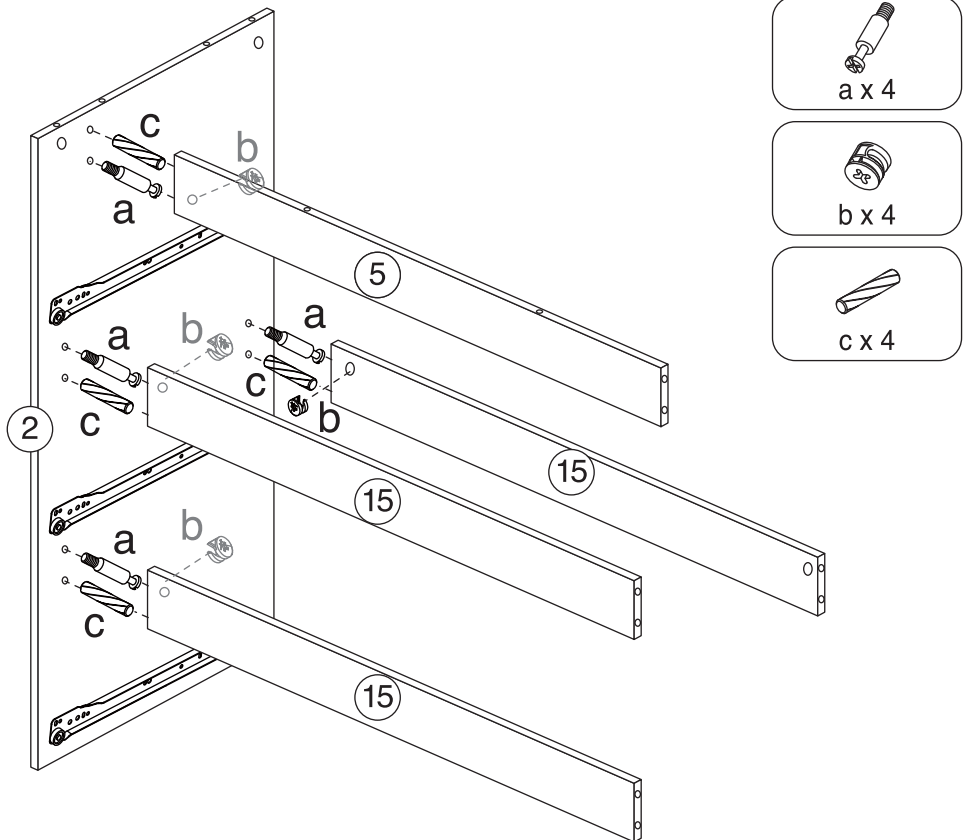
STEP 7.

Insert quickfit screws (a) and wooden dowels (c) to part 2.

Insert cam locks (b) to part 5 and 15.

Fit part 5 and 15 to part 2.

Turn cam locks clockwise to tighten.



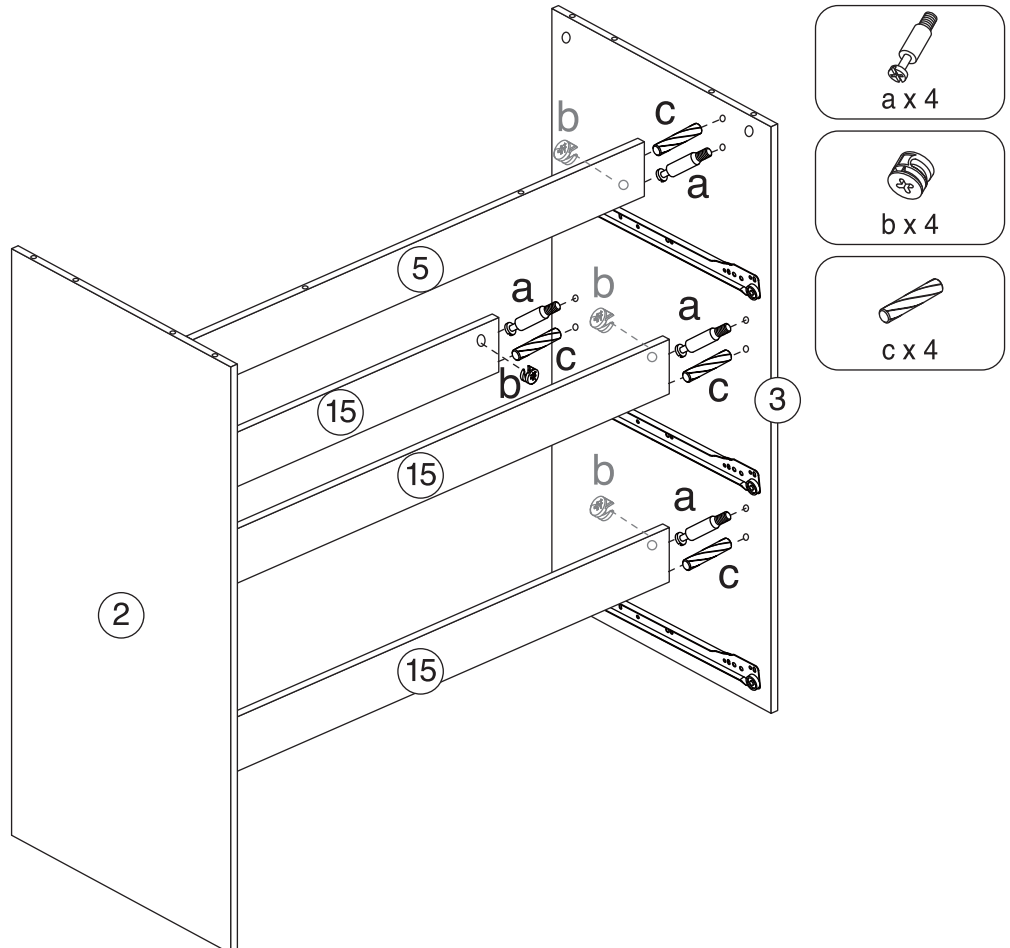
STEP 8.

Insert quickfit screws (a) and wooden dowels (c) to part 3.

Insert cam locks (b) to part 5 and 15.

Fit part 5 and 15 to part 3.

Turn cam locks clockwise to tighten.

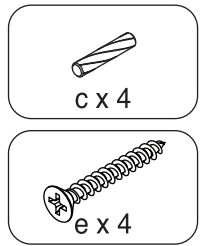
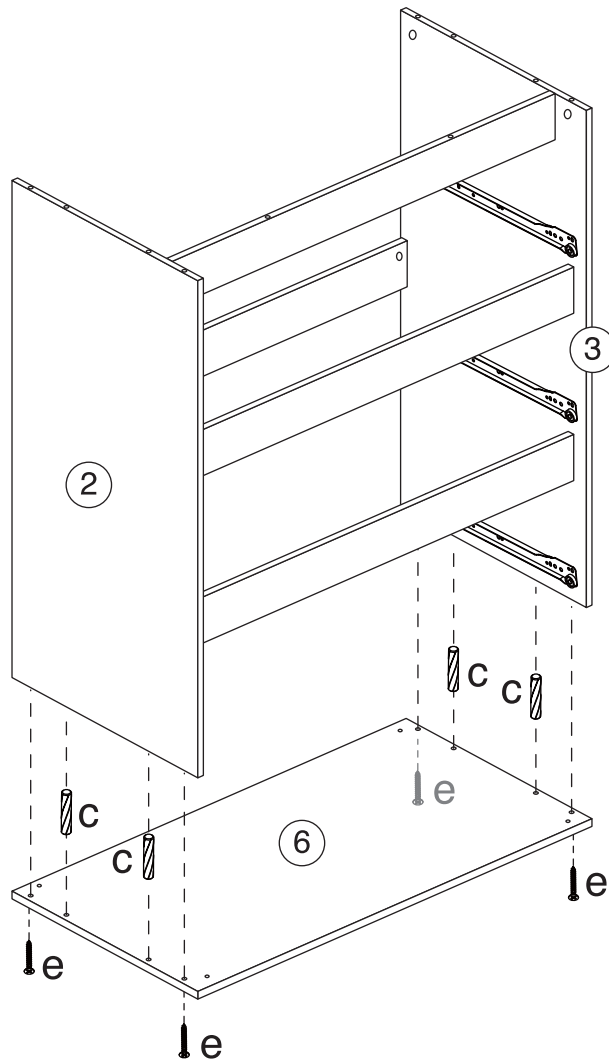


ASSEMBLY STEPS

STEP 9.

Insert wooden dowels (c) to part 2 and 3.

Fix part 6 to part 2 and 3 using screw (e).

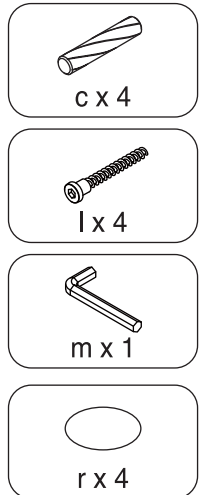
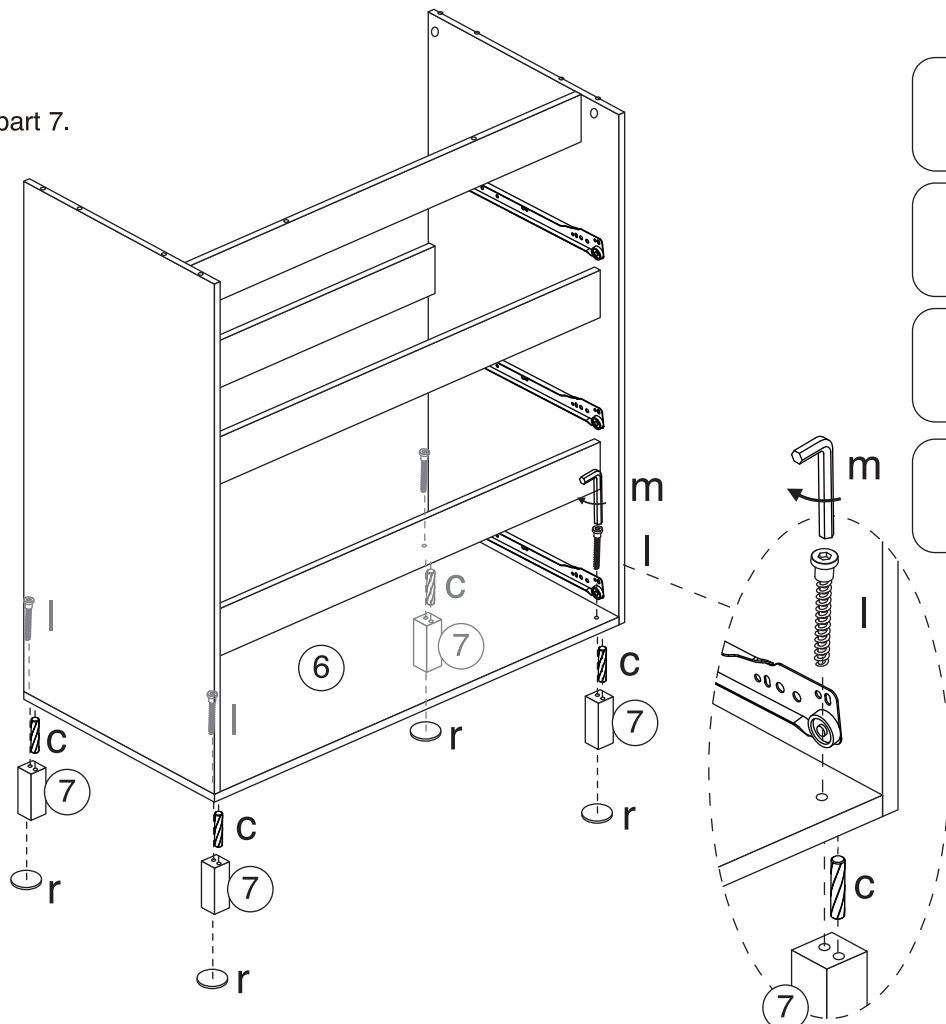


STEP 10.

Insert wooden dowels (c) to part 7.

Fix part 7 to part 6 using screw (l).

Attach floor protector (r) to part 7, as shown.



ASSEMBLY STEPS

STEP 11.

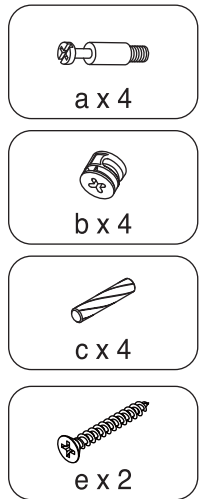
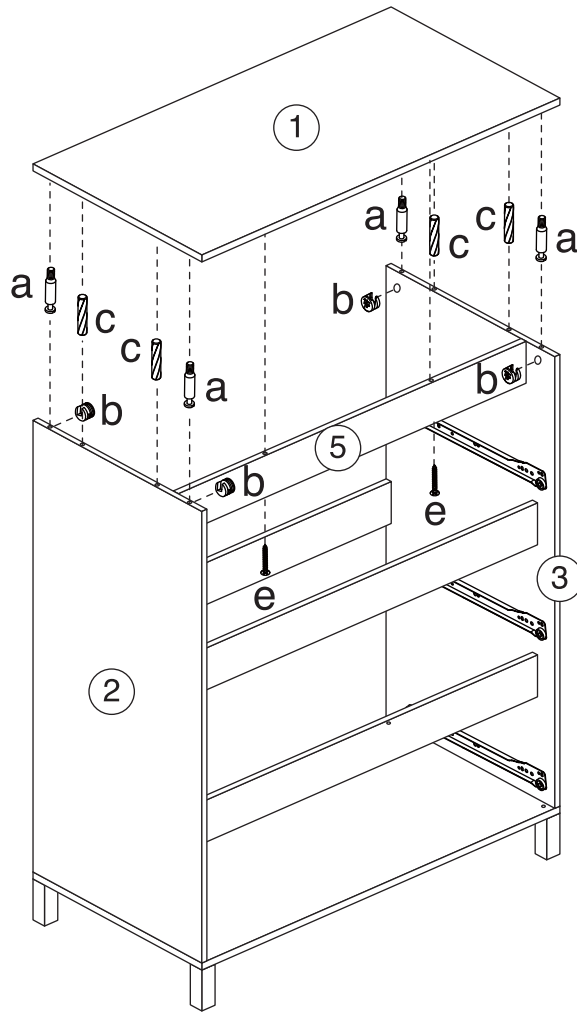
Insert quickfit screws (a) and wooden dowels (c) to part 1.

Insert cam locks (b) to part 2 and 3.

Fit part 1 to part 2 and 3.

Turn cam locks clockwise to tighten.

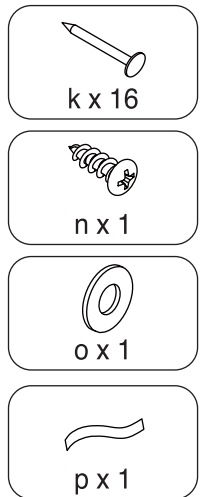
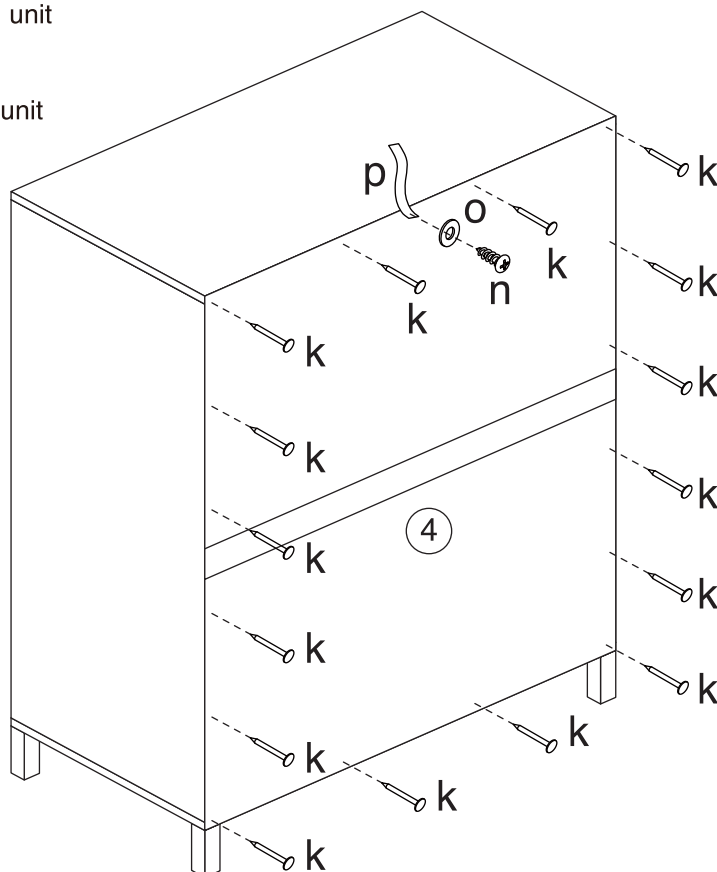
Secure part 1 to part 5 using screw (e).



STEP 12.

Fix part 4 on to back of assembled unit using nail (k).

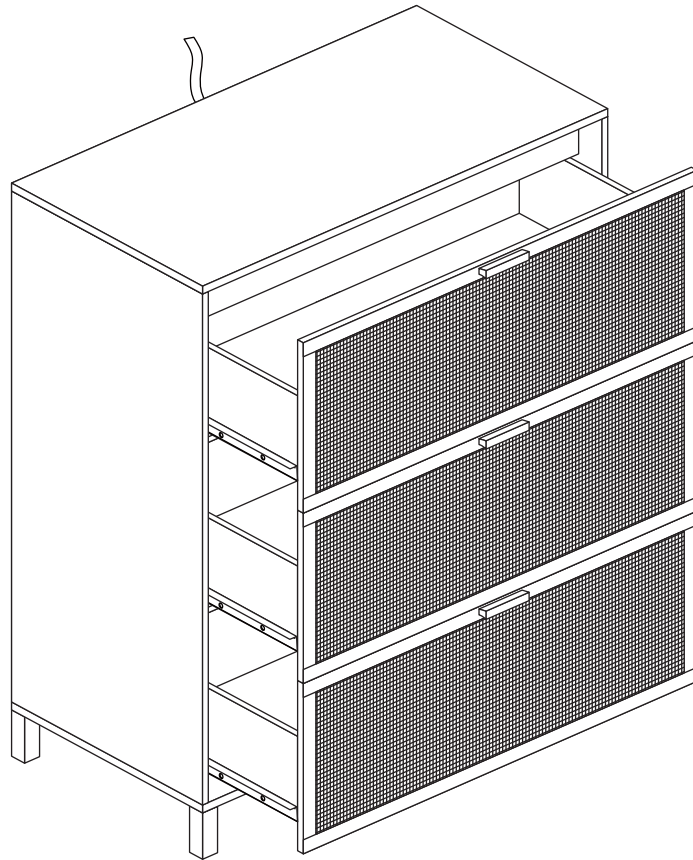
Fix wall strap (p) on to assembled unit using washer (o) and screw (n).



ASSEMBLY STEPS

STEP 13.

Fit drawer into the assembled unit.



STEP 14.

For extra stability, it is recommended that you fix your bedside table to the wall using the additional hardware (e, o and q), as shown.

Should you choose not to affix the product to the wall, serious injury may be caused if the product tips over.

