

# Item # : BR3DSLDR

## Assembly Instructions



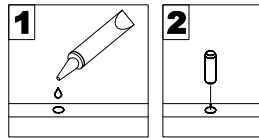
Walker  
Edison®

Please visit our website for the most current instructions, assembly tips, report damage,  
or request parts. [www.walkeredison.com](http://www.walkeredison.com)

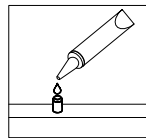
Revised 07/2020

# General Assembly Guidelines

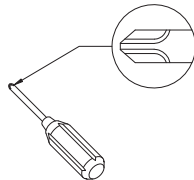
- I. Ensure that all parts and hardware are available before beginning assembly.
- II. Follow each step carefully to ensure the proper assembly of this product.
- III. Two people are recommended for ease in the assembly of this product.
- IV. The three main types of hardware used to assemble this product are wood dowels, screws and bolts.
- V. The provided glue is to secure wood dowels in place . When first inserting dowels , locate the appropriate hole for the dowel , place a small amount of glue in the hole and insert the dowel . Wipe away excess glue immediately.



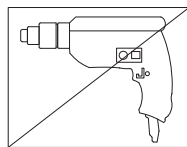
In future assembly steps when dowels are necessary to attach assembly parts together , place a small amount of glue on the end of the dowel before attaching parts together . Wipe away excess glue immediately.



- VI. A Phillips head screwdriver is required for the assembly of this product.



- VII. Power tools should not be used to assemble this product.



## VIII. Maintenance Guide

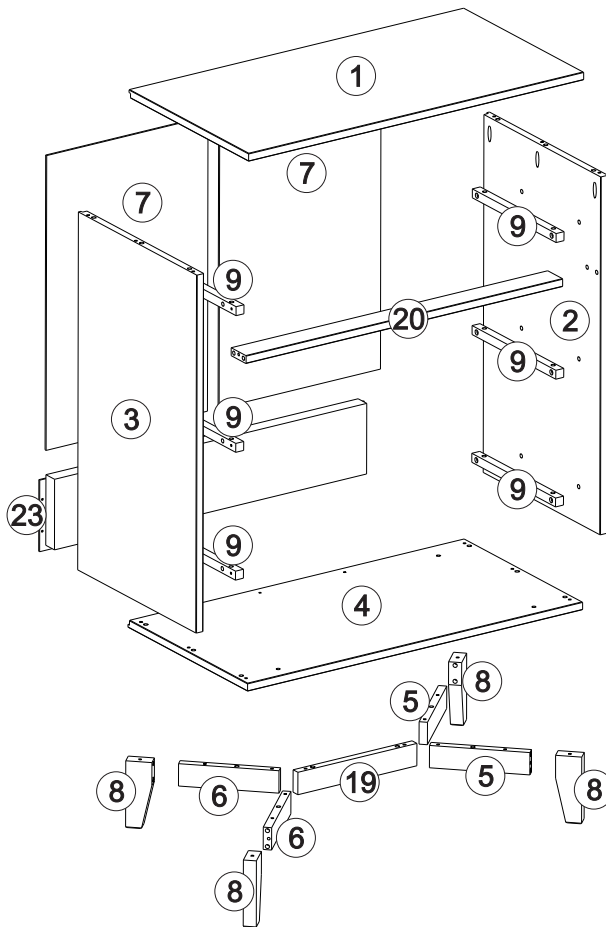
To maintain long term performance and easy gliding of your solid wood drawers, we recommend applying wax to the wooden guide rails.

1. Bee's wax is recommended or Paraffin wax from a standard candle can be used.
2. Apply the wax by rubbing it on the wooden guide rails where there is wood-on-wood contact when opening and closing the drawer. (Wax should be room temperature, do not melt the wax onto the wood)
3. Wax should be applied every few months for the first year and then only when needed after that to keep the drawers sliding smoothly.

# Parts List



The side drawer with WARNING LABEL, should be mounted in highest drawer.

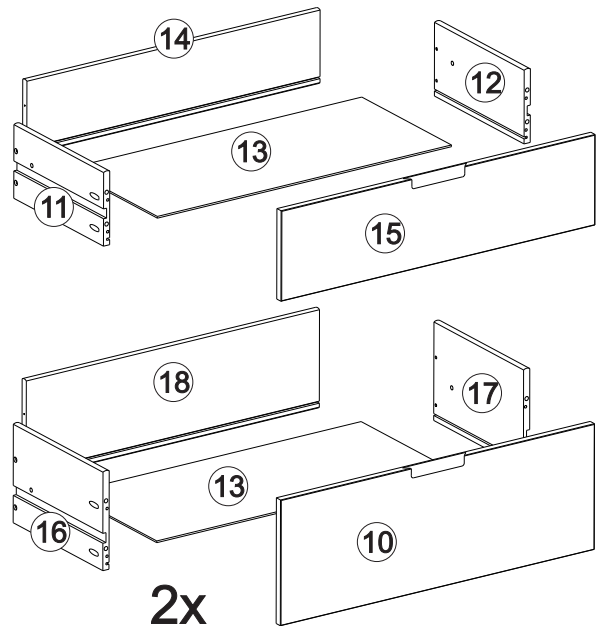


**WARNING**

Children have died from furniture tipover. To reduce the risk of furniture tipover:

- ALWAYS install tipover restraint provided.
- NEVER put a TV on this product.
- NEVER allow children to stand, climb or hang on drawers, doors, or shelves.
- NEVER open more than one drawer at a time.
- Place heaviest items in the lowest drawers.






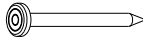
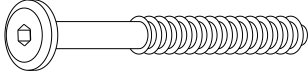

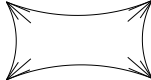
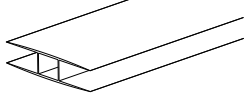
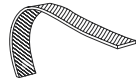



*This is a permanent label. Do not remove!*

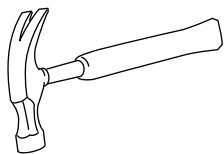


Part#	Description	Qty
1	Top panel	01
2	Right side panel	01
3	Left side panel	01
4	Base	01
5	Right crossbeam foot	02
6	Left crossbeam foot	02
7	Back panel	02
8	Foot	04
9	Drawer runner	06
10	Large drawer front	02
11	Left drawer side	01

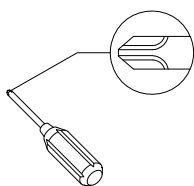
Part#	Description	Qty
12	Right drawer side	01
13	Drawer bottom	03
14	Drawer back	01
15	Small drawer front	01
16	Large left drawer side	02
17	Large right drawer side	02
18	Large drawer back	02
19	Leg crossbeam	01
20	Front crossbeam	01
23	Anti-tipping	01

# Hardware List

A		Ø8*30mm	Wooden dowel	54 pcs
B		Ø8*20mm	Wooden dowel	12 pcs
C		Ø3,5*25mm	Screw	12 pcs
D		Ø3,5*30mm	Screw	40 pcs
E		Ø4,0*40mm	Screw	16 pcs
F		Ø10*10	Nail	18 pcs
G		Ø7*60mm	Screw	04 pcs
H		4mm	Hex Key	01 pcs
I			Glue	01 pcs
J		574mm	"H" Profile	01 pc
K			Wall anchor	01 pc
L			Washer	02 pc
M			Ø6mm	01 pc
P		Ø3,5*16mm	Screw	04 pcs



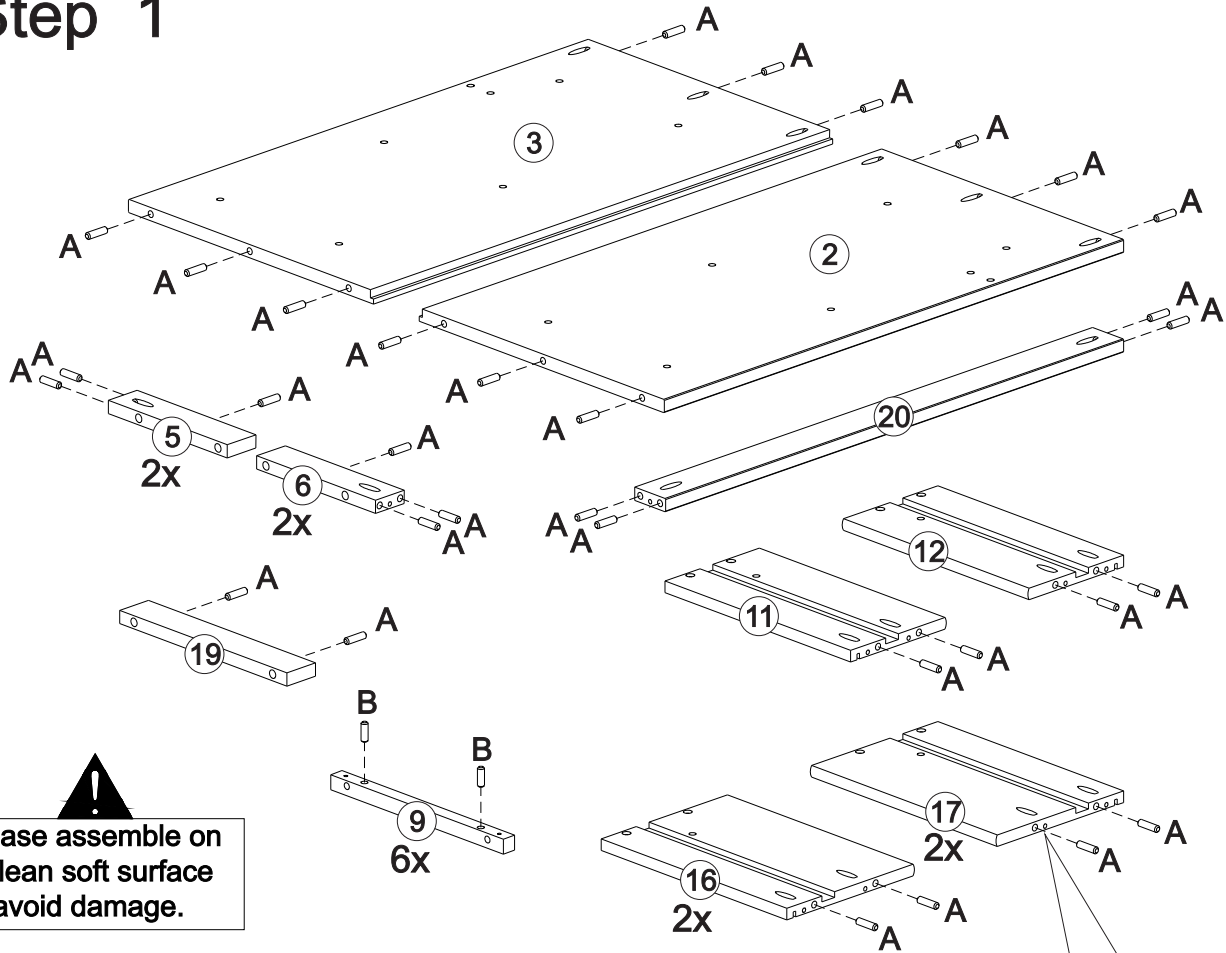
Hammer recommended for assembly  
(not included)



Philips head screwdriver required for assembly  
(not included)

*The hardware quantities listed above are required for proper assembly.  
Some extra hardware may also have been included.*

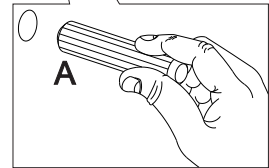
# Step 1



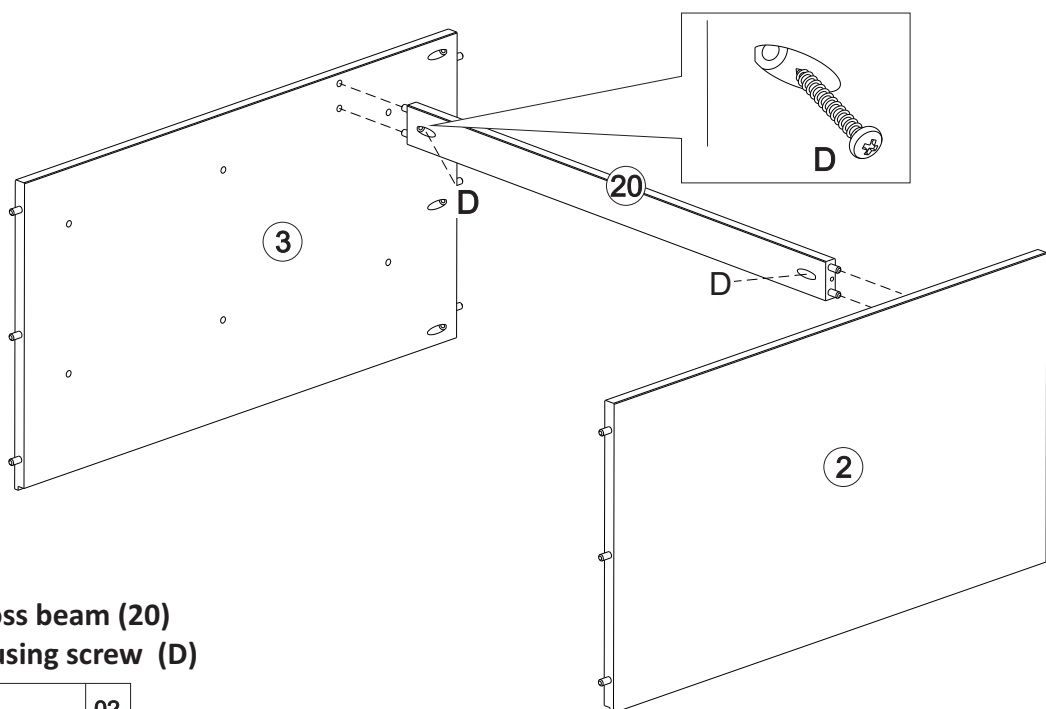
**!**  
Please assemble on a clean soft surface to avoid damage.

A		Ø8*30mm	42
B		Ø8*20mm	12
I			01

Insert wood dowel (A) and glue (I) into parts (2, 3, 5, 6, 11, 12, 16, 17, 19).  
Insert wood dowel (B) and glue (I) into part (9).



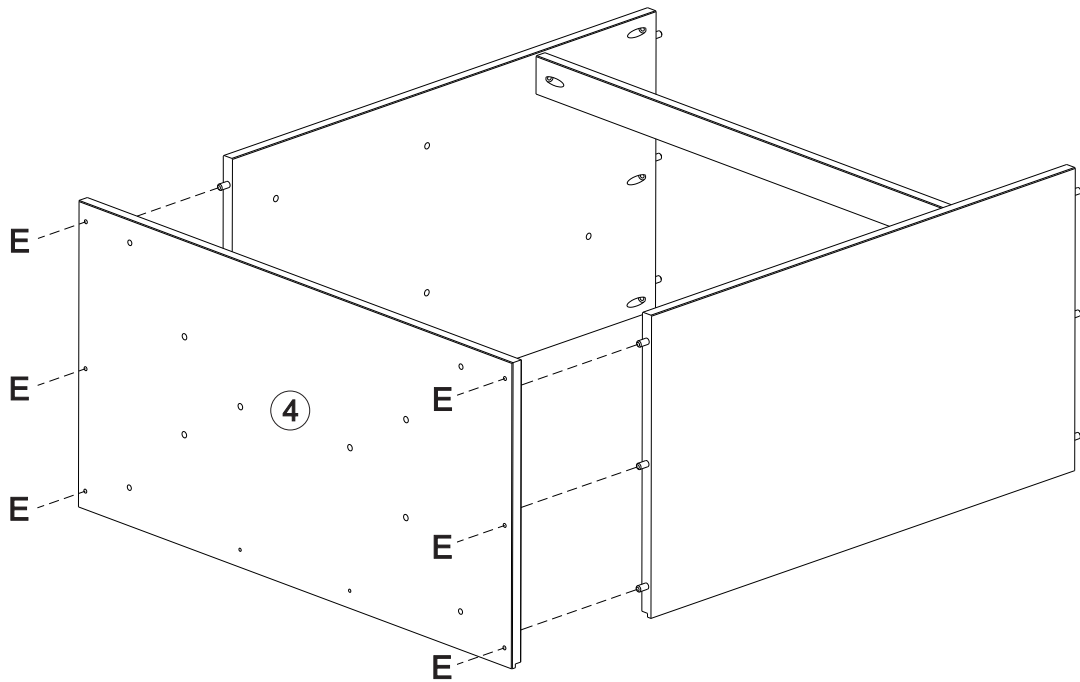
# Step 2



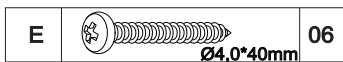
Secure front cross beam (20) to panels (2,3) using screw (D)

D		Ø3,5*30mm	02
---	--	-----------	----

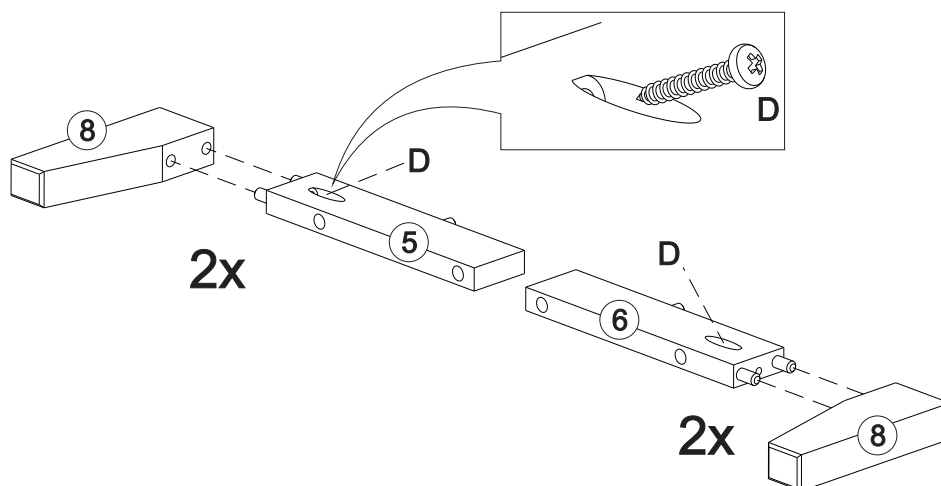
## Step 3



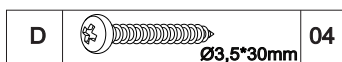
Attach base(4)  
to body using screw (E)



## Step 4

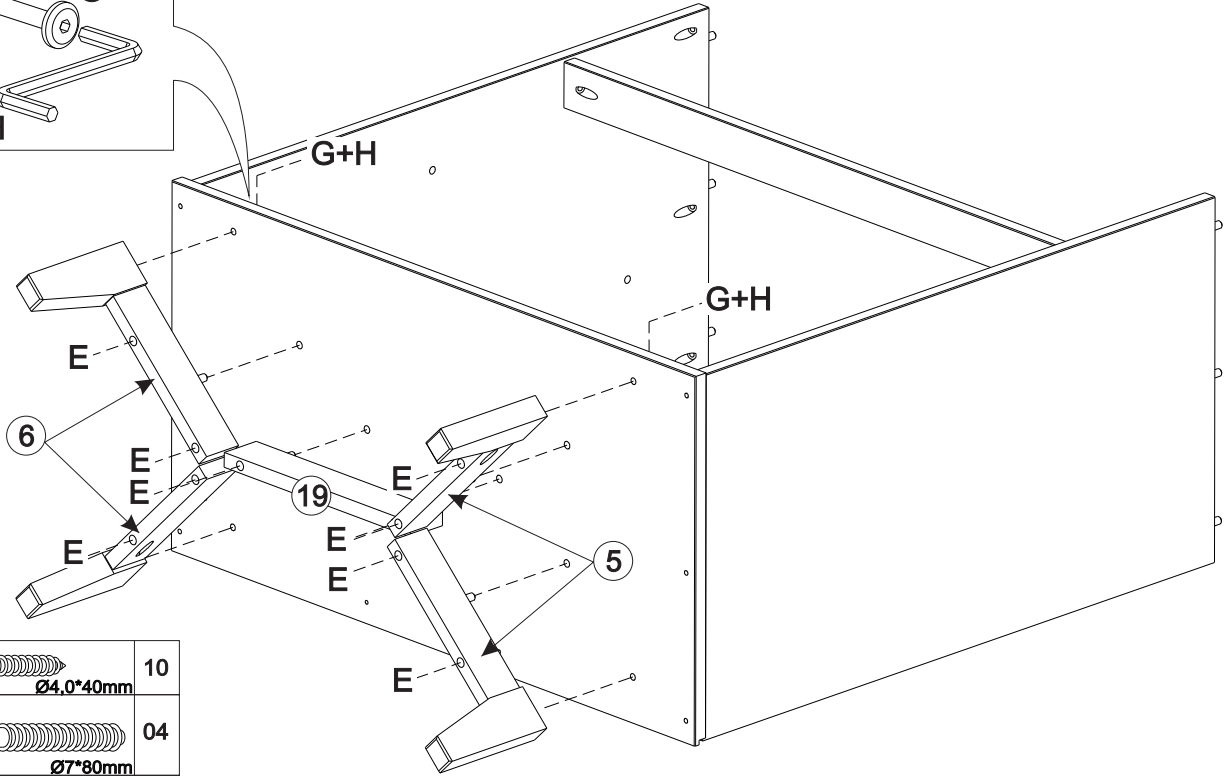
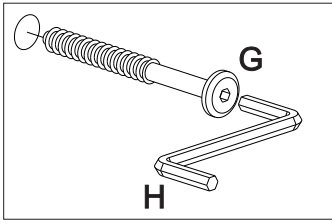



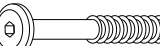
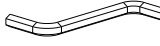
Use screw (D) to attach part (5) to part (8)  
and attach part (6) to part (8), do this step twice



# Step 5

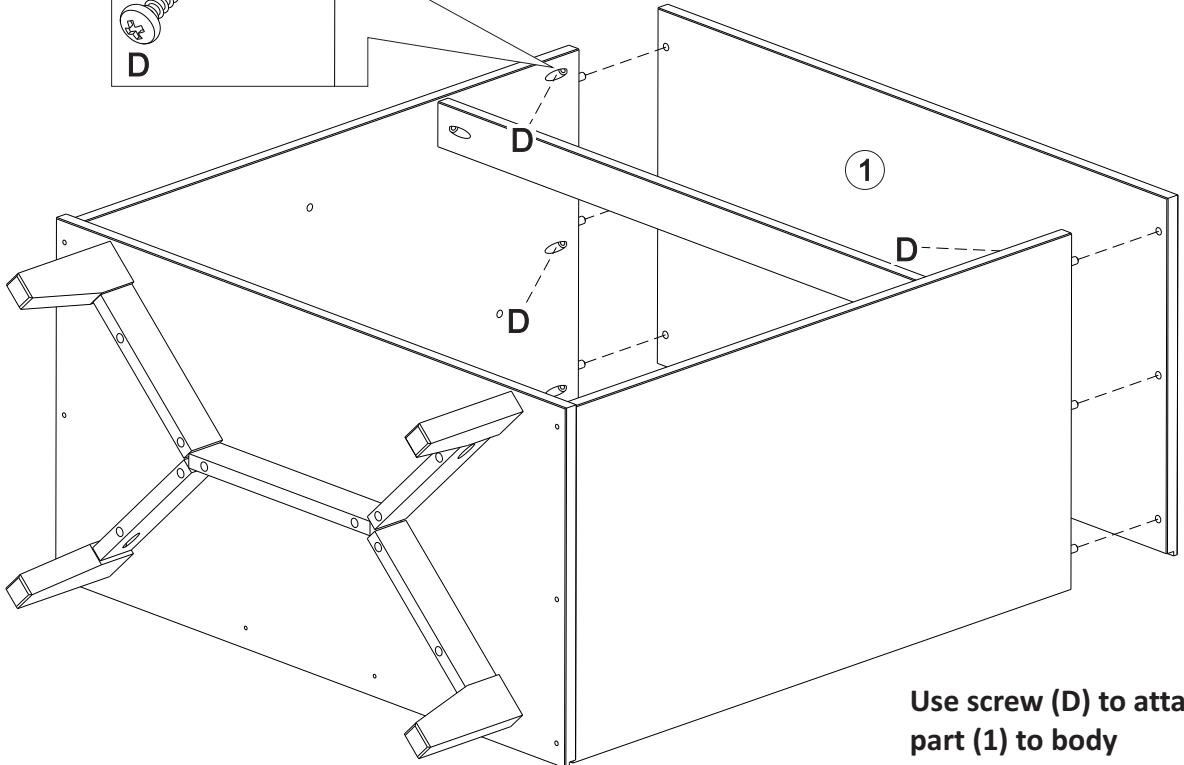
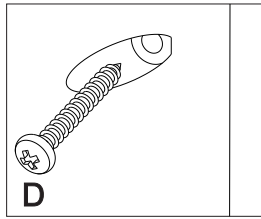
Use screw (E) to attach legs to body and use screw (G) and hex key (H) to attach the feet to the body.  
Attach cross beam (19) to body using screw (E)



E		10
G		04
H		01

Ø4,0\*40mm  
Ø7\*80mm  
4mm

# Step 6

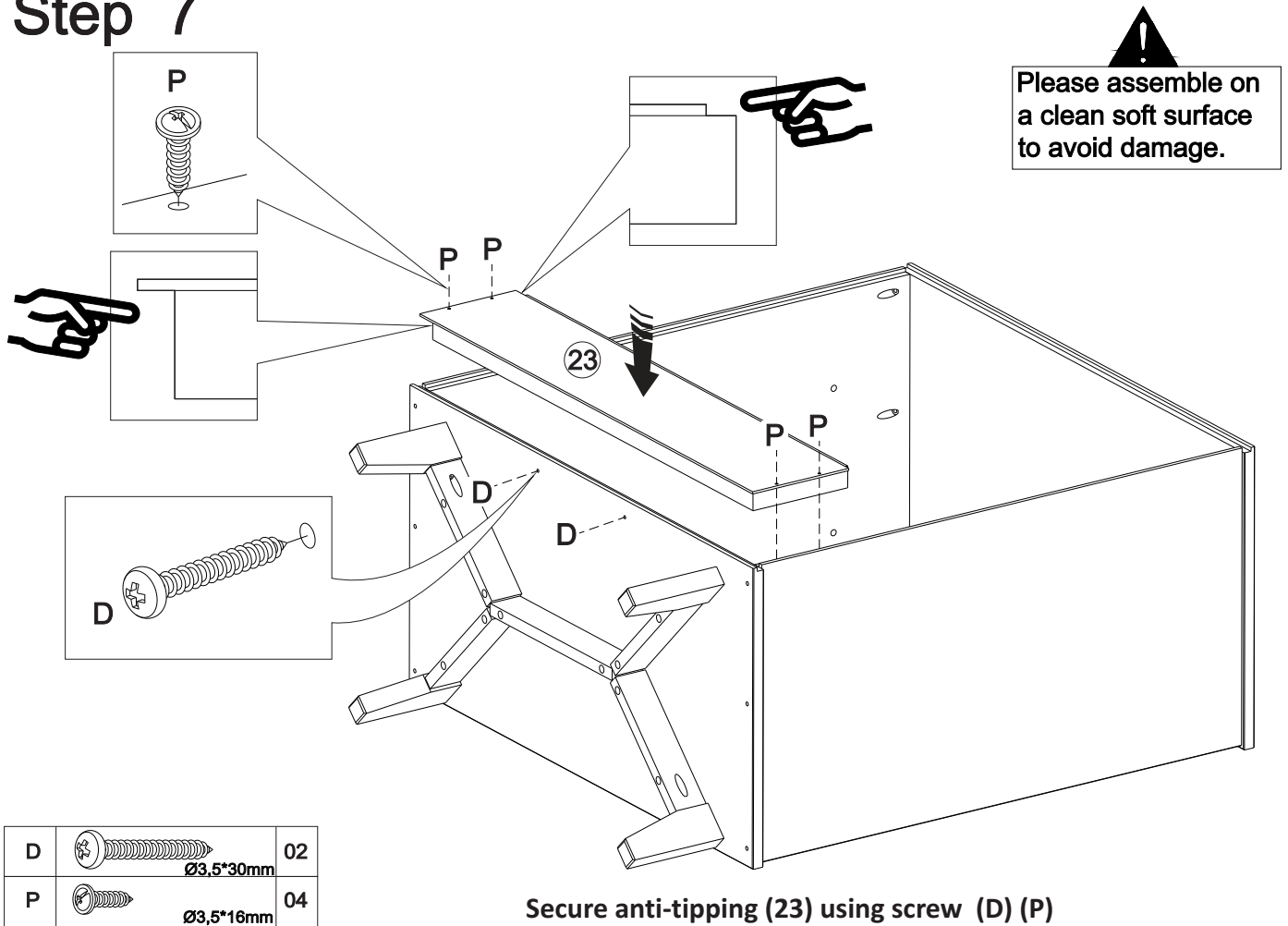


Use screw (D) to attach part (1) to body



D		06
---	---	----

Ø3,5\*30mm

# Step 7

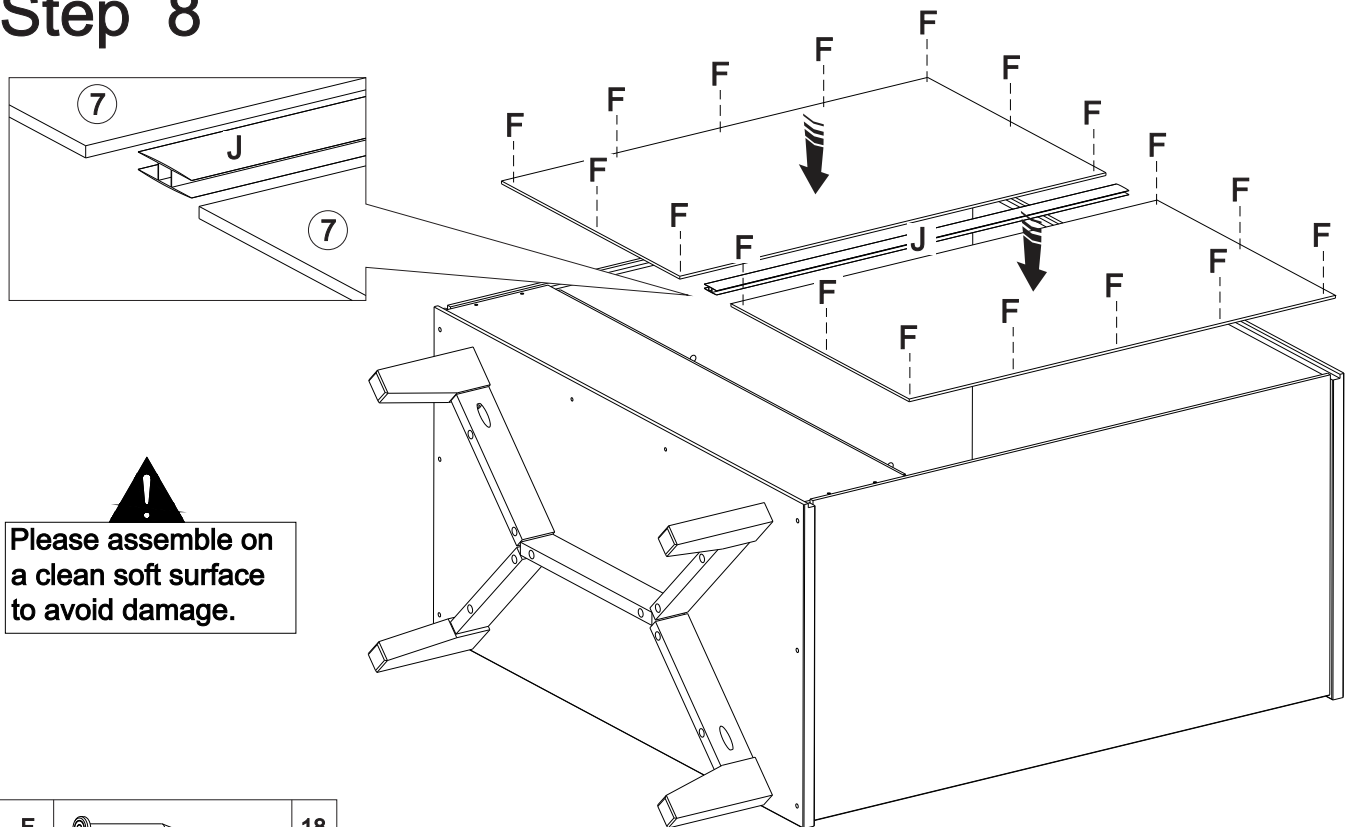


**Please assemble on a clean soft surface to avoid damage.**

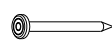

D		02
P		04

Secure anti-tipping (23) using screw (D) (P)

# Step 8



**Please assemble on a clean soft surface to avoid damage.**

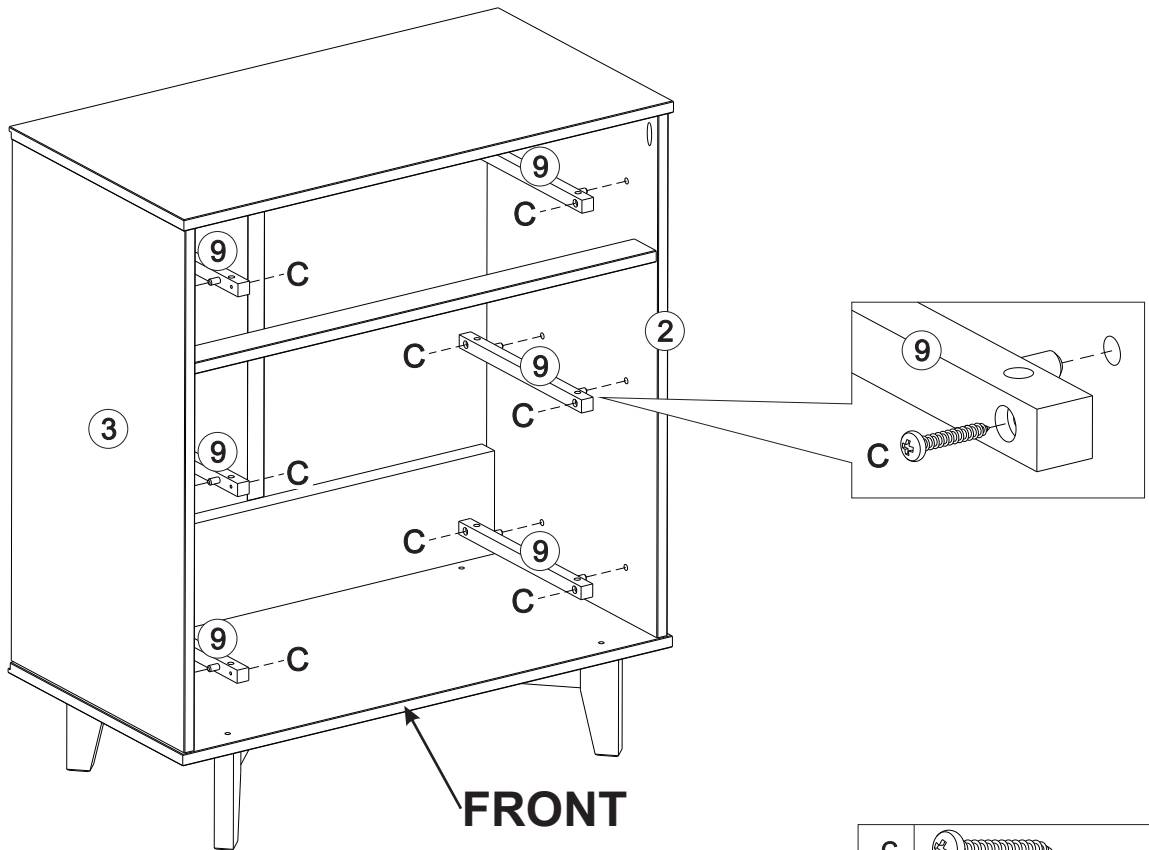
F		18
J		01

Secure back panel (7) with part (J) to body with nails (F)

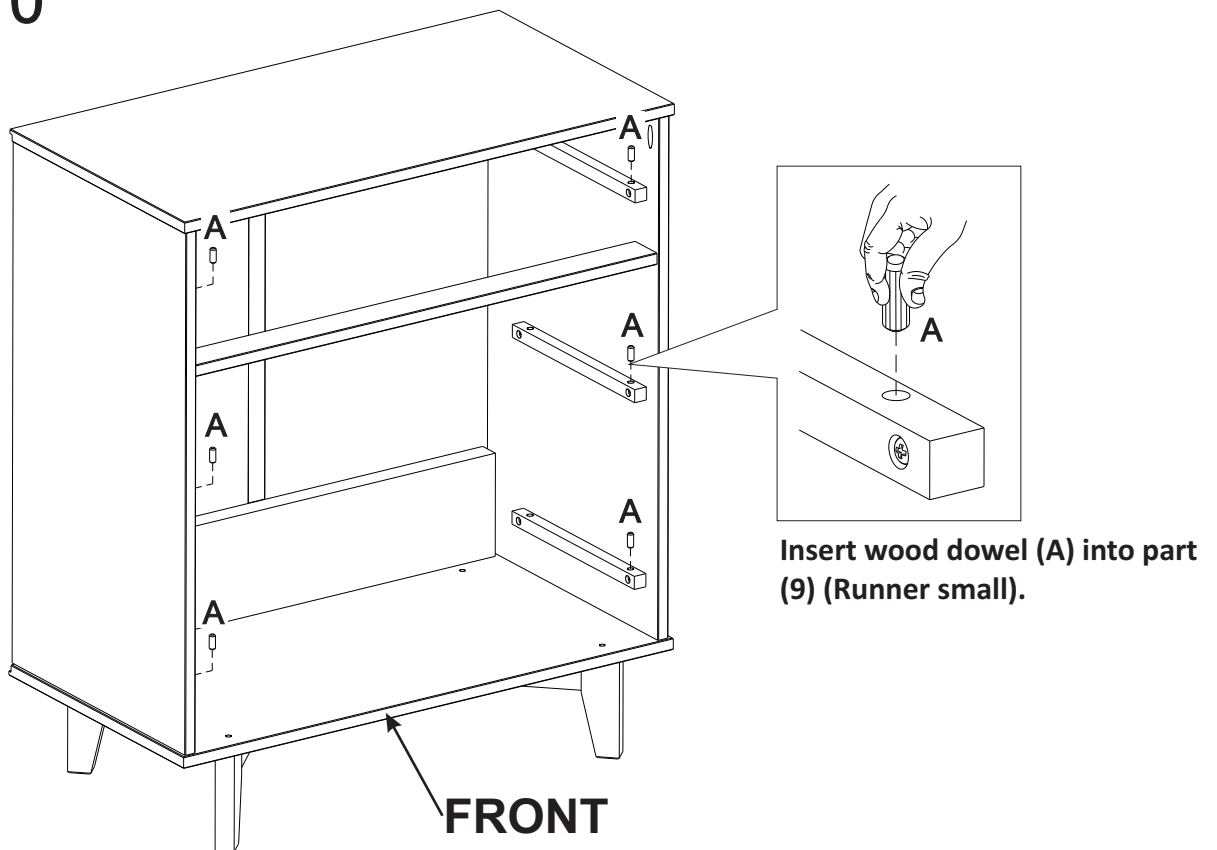


# Step 9

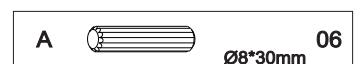
Use screw (C) to attach parts (9) to parts (2,3)  
**NOTE:** The extra holes in part (9) should face the top of parts (2,3)



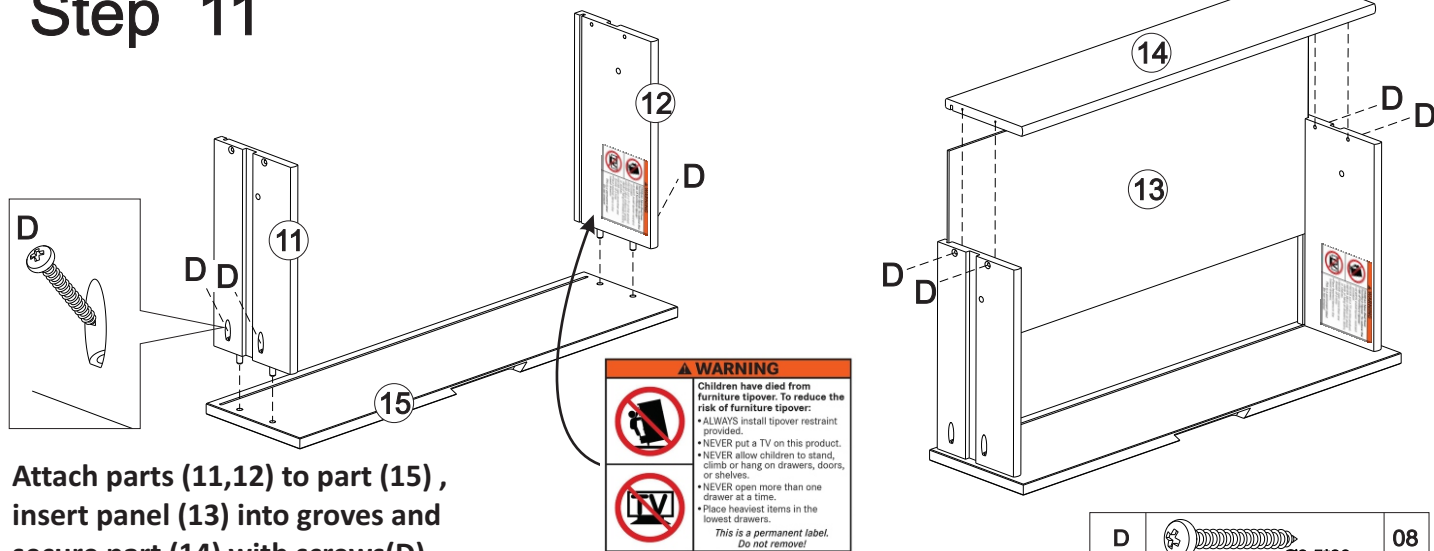
# Step 10



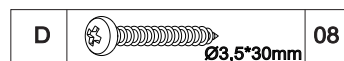
Insert wood dowel (A) into part (9) (Runner small).



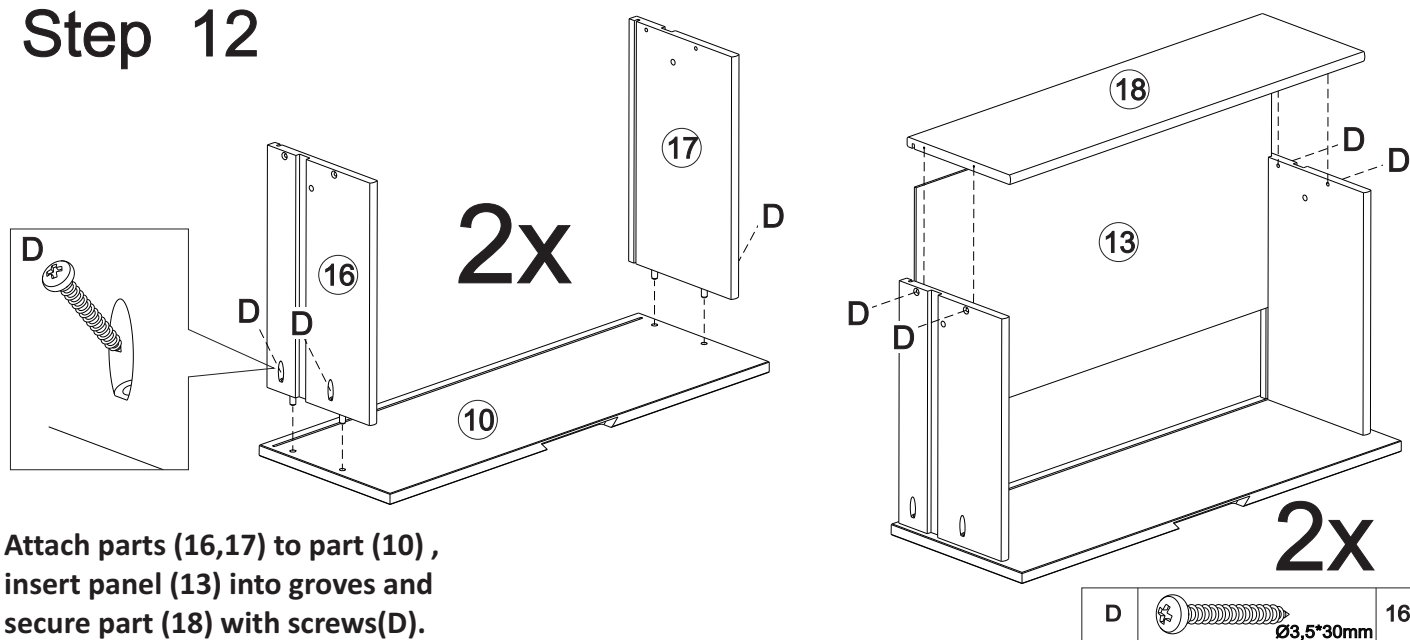
## Step 11



Attach parts (11,12) to part (15), insert panel (13) into grooves and secure part (14) with screws(D).



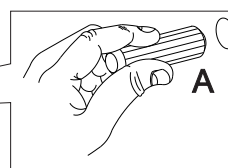
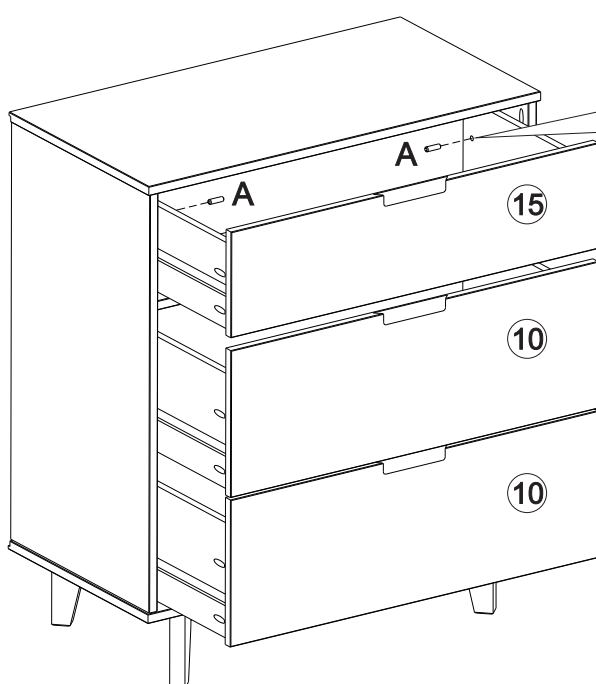
## Step 12



Attach parts (16,17) to part (10), insert panel (13) into grooves and secure part (18) with screws(D).

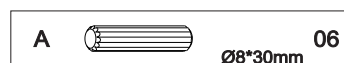


## Step 13



Insert wood dowel (A) on the inside of all drawers while drawer is inside the unit. Make sure dowel is flush with panel.

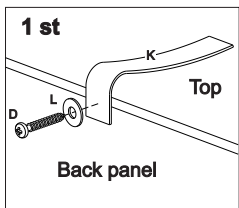
# Assembly Complete!



# WARNING

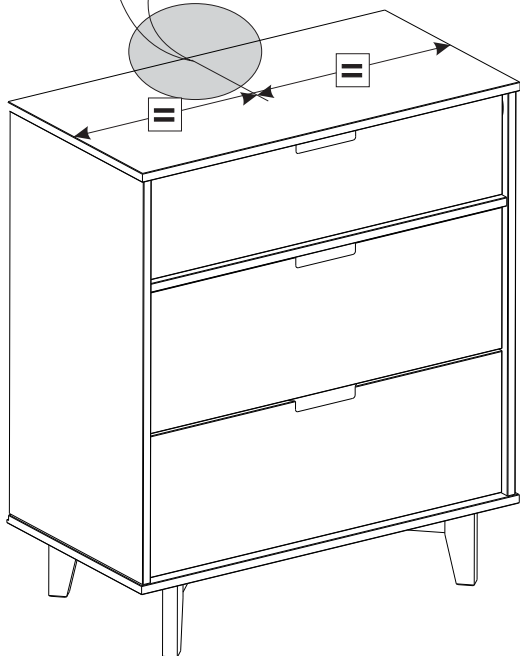
**Serious or fatal injuries can occur from furniture tipping over. To prevent the furniture from tipping over we recommend that it is permanently fixed to the wall.**

**Wall anchor and hardware are included with this product. Please make sure hardware is suitable for your walls before installing, as different wall materials may require different types of anchors.**



**1st**

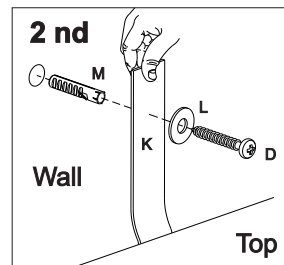
Attach part (K) with Screw (D) and Washer (L), in the frame of superior panel unit.



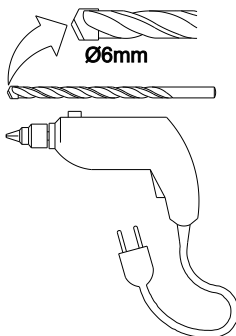
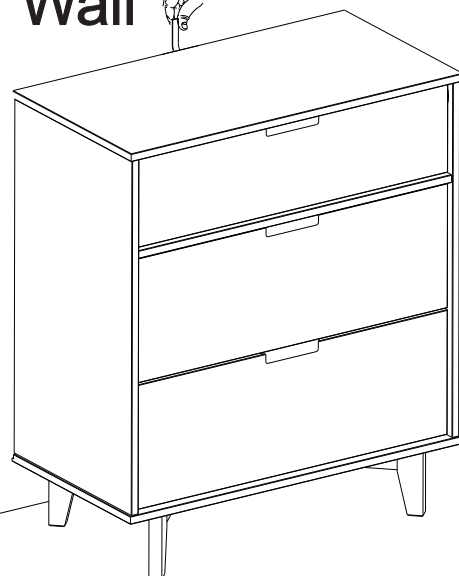
**2nd**



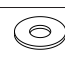

With drilling machine make one hole in the wall, Insert part (M) in the hole.

Secure part (K) with Screw (D) and Washer (L), in the wall.



**Wall**



D	 Ø3,5*30mm	02
K		01
L		02
M		01