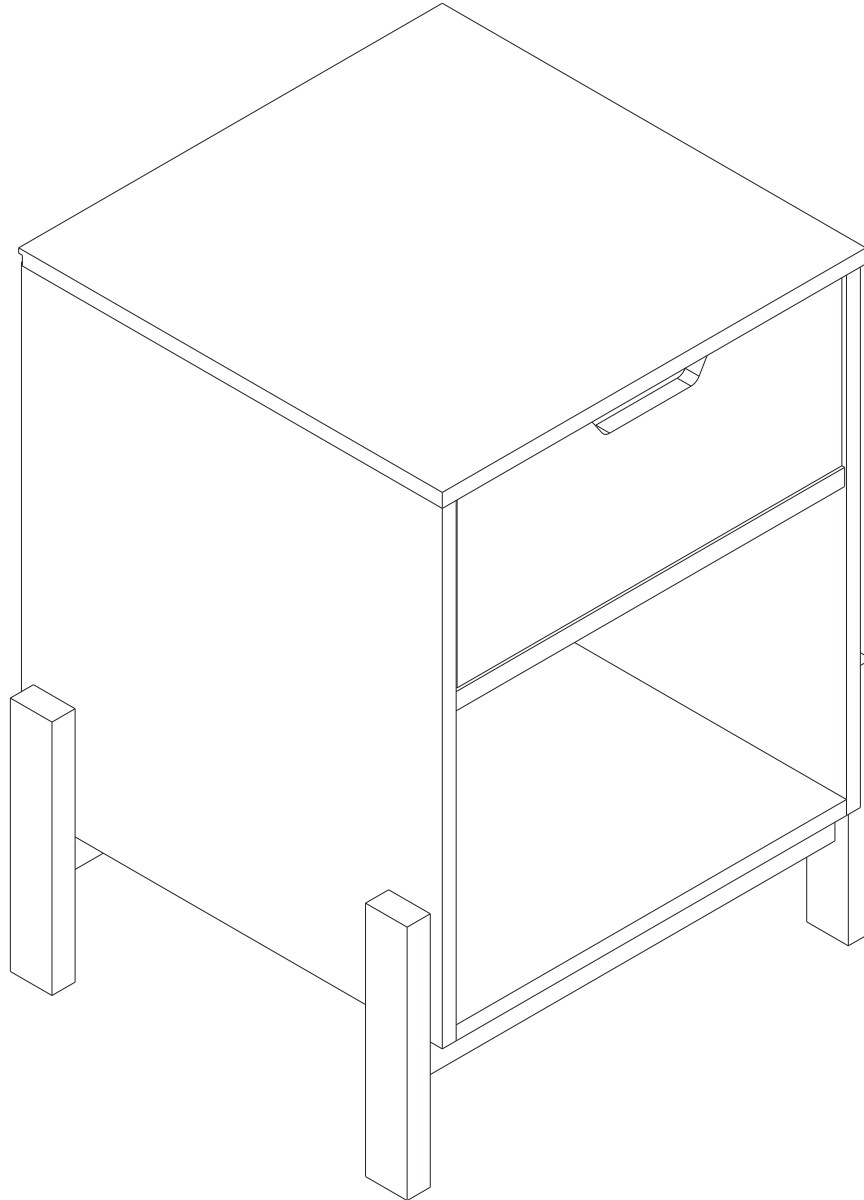


Item # : TNNB4C

Assembly Instructions

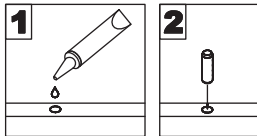


Please visit our website for the most current instructions, assembly tips, to report damage or request parts. www.walkeredison.com

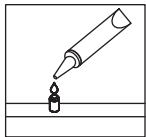
Revised 10/2022

General Assembly Guidelines

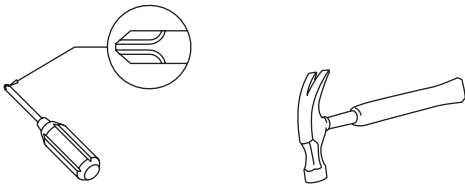
- I. Ensure that all parts and hardware are available before beginning assembly.
- II. Follow each step carefully to ensure the proper assembly of this product.
- III. Two people are recommended for ease in the assembly of this product.
- IV. The three main types of hardware used to assemble this product are wood dowels, screws and bolts.
- V. The provided glue is to secure wood dowels in place. When first inserting dowels, locate the appropriate hole for the dowel, place a small amount of glue in the hole and insert the dowel. Wipe away excess glue immediately.



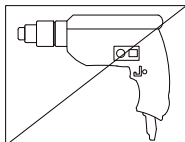
In future assembly steps when dowels are necessary to attach assembly parts together, place a small amount of glue on the end of the dowel before attaching parts together. Wipe away excess glue immediately.



- VI. A Phillips head screwdriver and hammer is required for the assembly of this product.



- VII. Power tools should not be used to assemble this product.

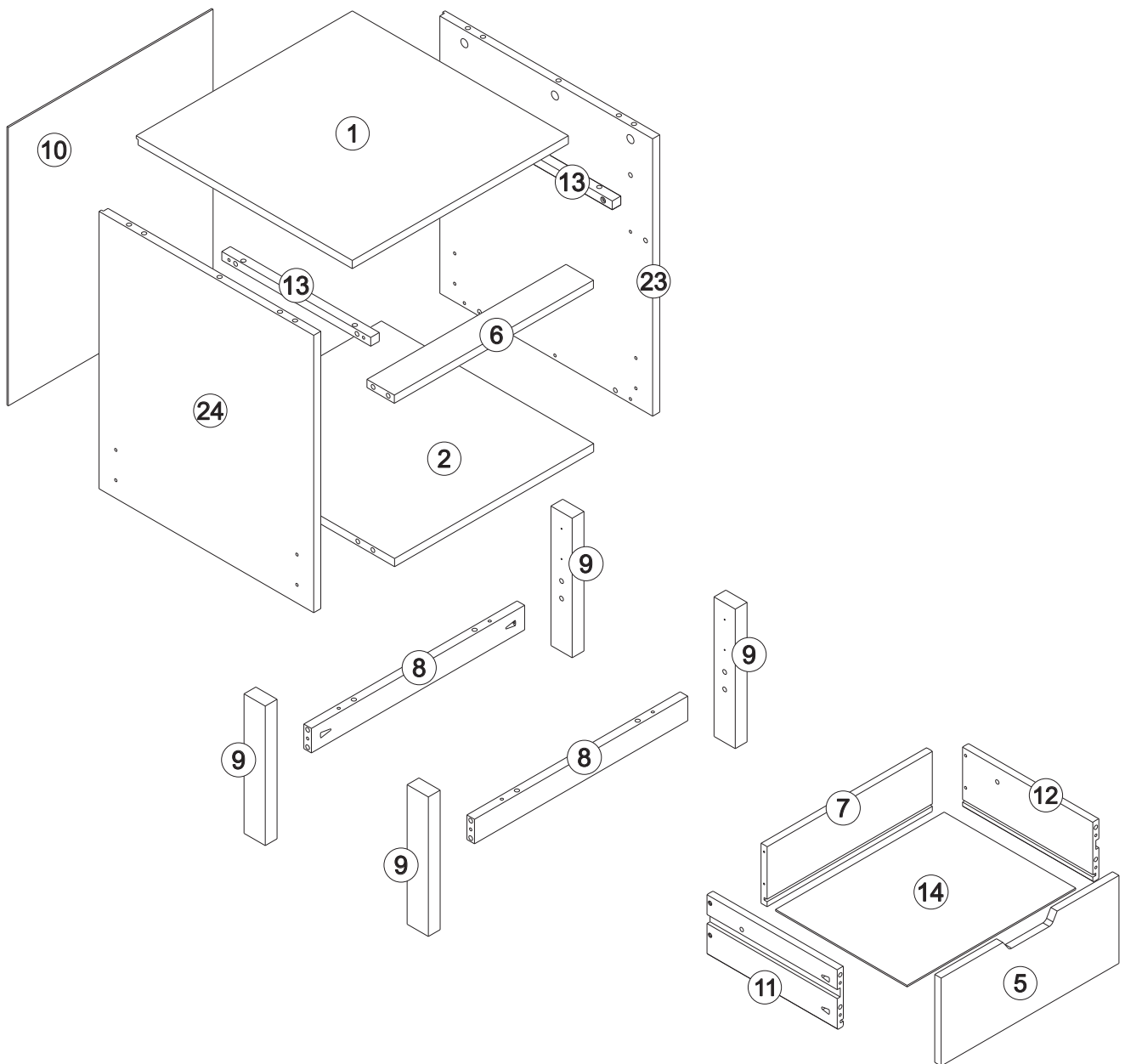


VIII. Maintenance Guide

To maintain long term performance and easy gliding of your solid wood drawers, we recommend applying wax to the wooden guide rails.

1. Bee's wax is recommended or Paraffin wax from a standard candle can be used.
2. Apply the wax by rubbing it on the wooden guide rails where there is wood-on-wood contact when opening and closing the drawer. (Wax should be room temperature, do not melt the wax onto the wood)
3. Wax should be applied every few months for the first year and then only when needed after that to keep the drawers sliding smoothly.

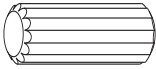
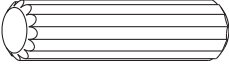
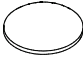


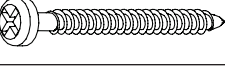
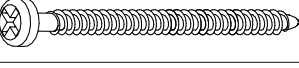
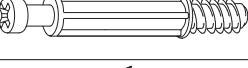

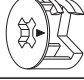
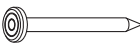
Parts List

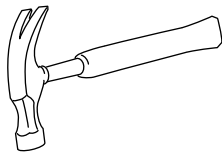


Part#	Description	Qty
1	Top panel	01 pc
2	Base panel	01 pc
5	Drawer front	01 pc
6	Front crossbeam	01 pc
7	Drawer back	01 pc
8	Bottom crossbeam	02 pcs
9	Leg	04 pcs
10	Back Panel	01 pc

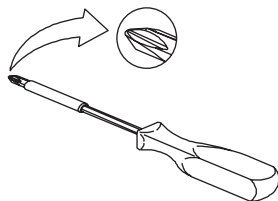
Part#	Description	Qty
11	Drawer Left Side	01 pc
12	Drawer Right Side	01 pc
13	Drawer runner	02 pcs
14	Drawer bottom	01 pc
23	Right side panel	01 pc
24	Left side panel	01 pc

Hardware List

A		Ø8*20mm	Wood dowel	04 pcs
B		Ø8*30mm	Wood dowel	30 pcs
C		-	Slap hole	08 pcs
D		Ø3,5*35mm	Screw	08 pcs
E		Ø4,0*25mm	Screw	04 pcs
F		Ø4,0*30mm	Screw	12 pcs
G		Ø4,0*40mm	Screw	04 pcs
H		Ø7,0*33mm	Cam bolt	14 pcs
I		-	Glue	01 pc
J		Ø15*12mm	Cam lock	14 pcs
K		Ø8*8mm	Nail	16 pcs



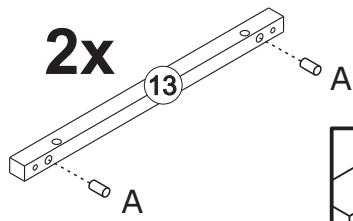
Hammer recommended for assembly
(not included)



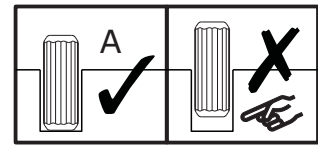
Philips head screwdriver required for assembly
(not included)

*The hardware quantities listed above are required for proper assembly.
Some extra hardware may also have been included.*

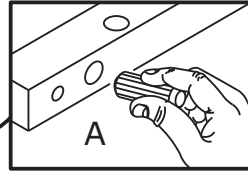
Step 1

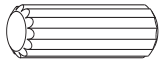



Attention to the
dowel size:
Ø8*20mm

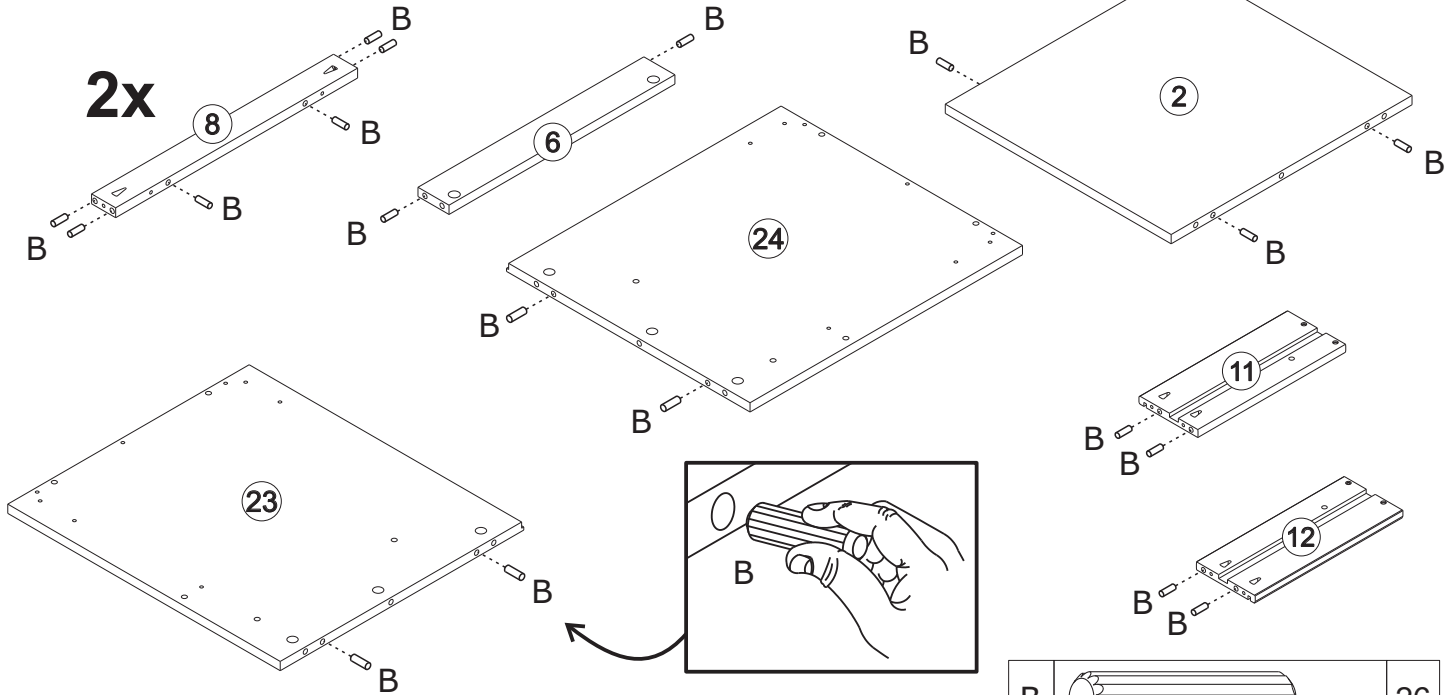


Insert wood dowel
(A) and glue (I) into part (13).



A		Ø8*20mm	04
I			01

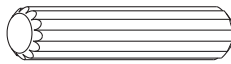

Step 2



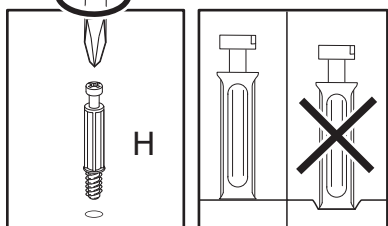
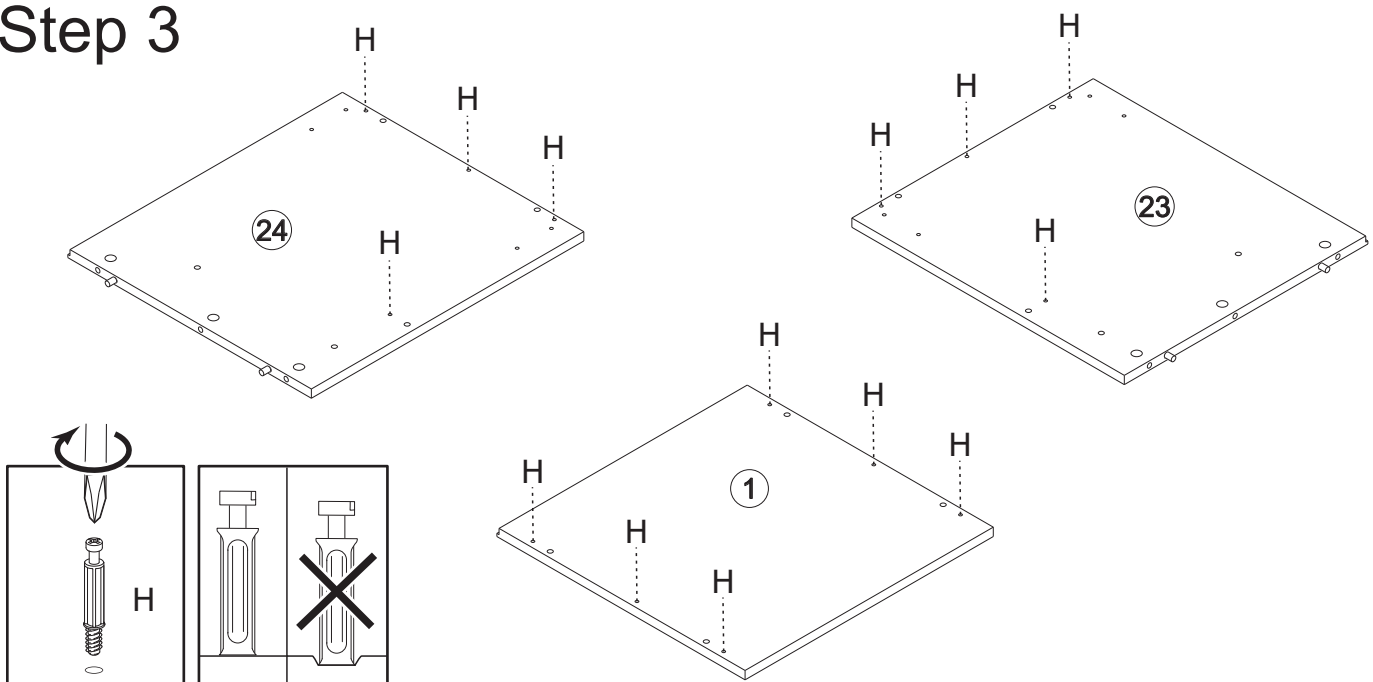
Please assemble on
a clean soft surface
to avoid damage.



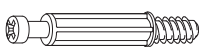
Insert wood dowel (B) and glue (I) into
part (2), (6), (8), (11), (12), (23) and (24).

B		Ø8*30mm	26
I			01

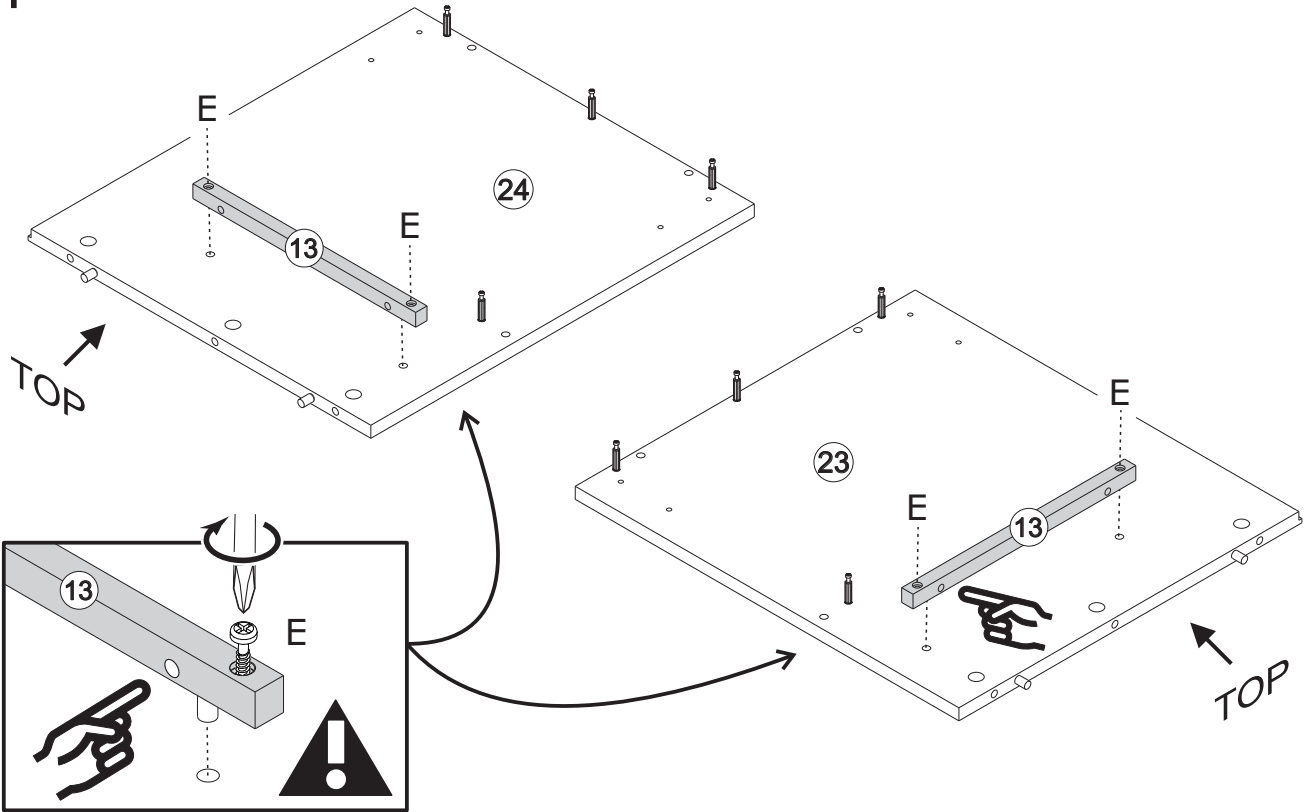
Step 3



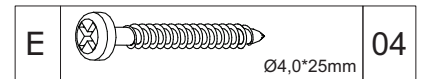
Screw cam bolts (H) into parts (1), (23) and (24) with a screwdriver.

H		14
---	---	----

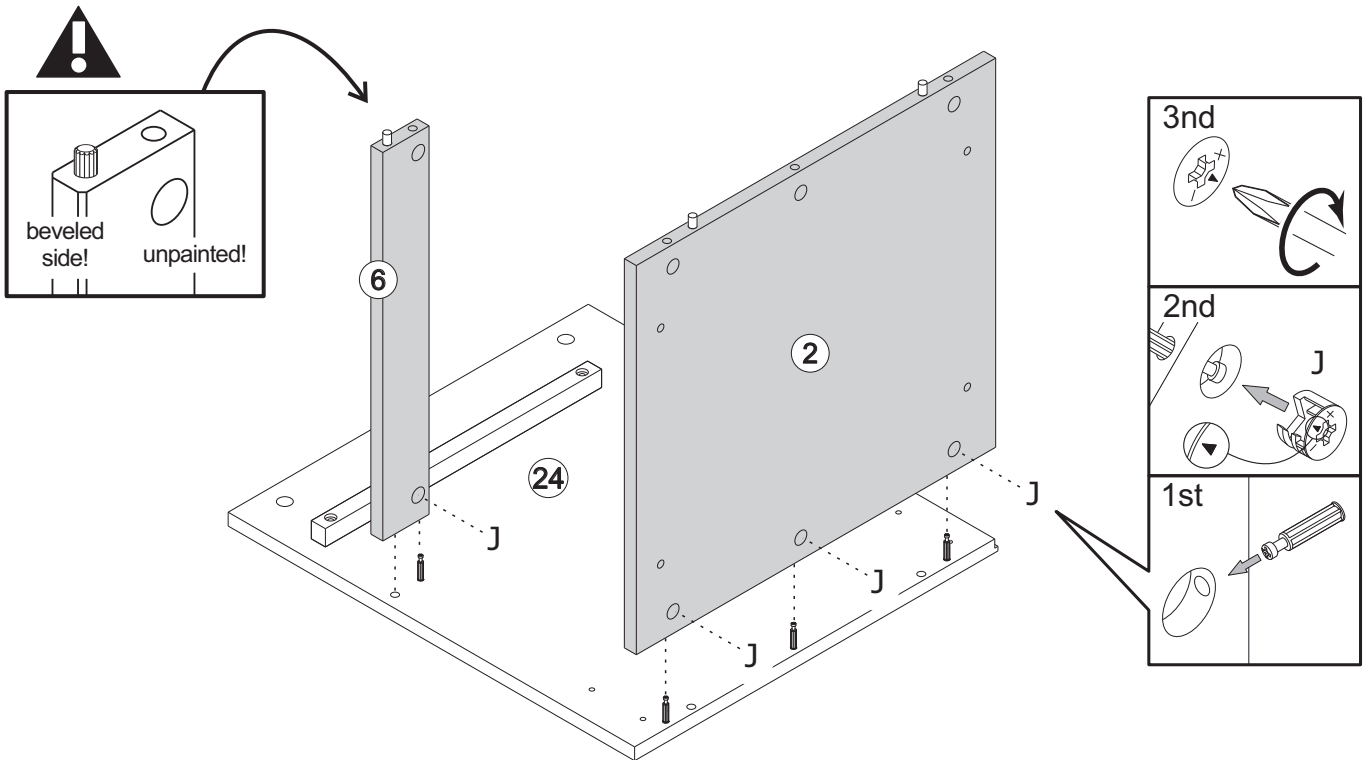
Step 4



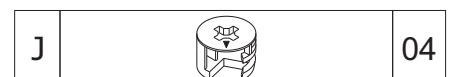
Secure parts (13) to part (23) and (24) with screw (E) and screwdriver.



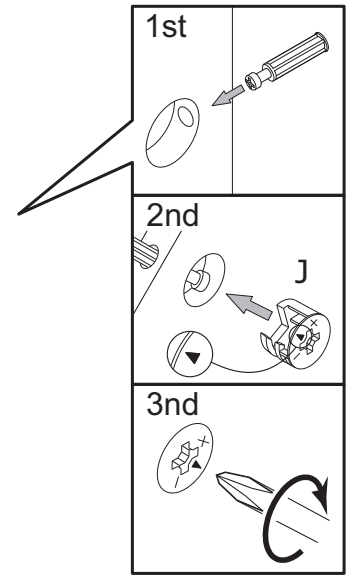
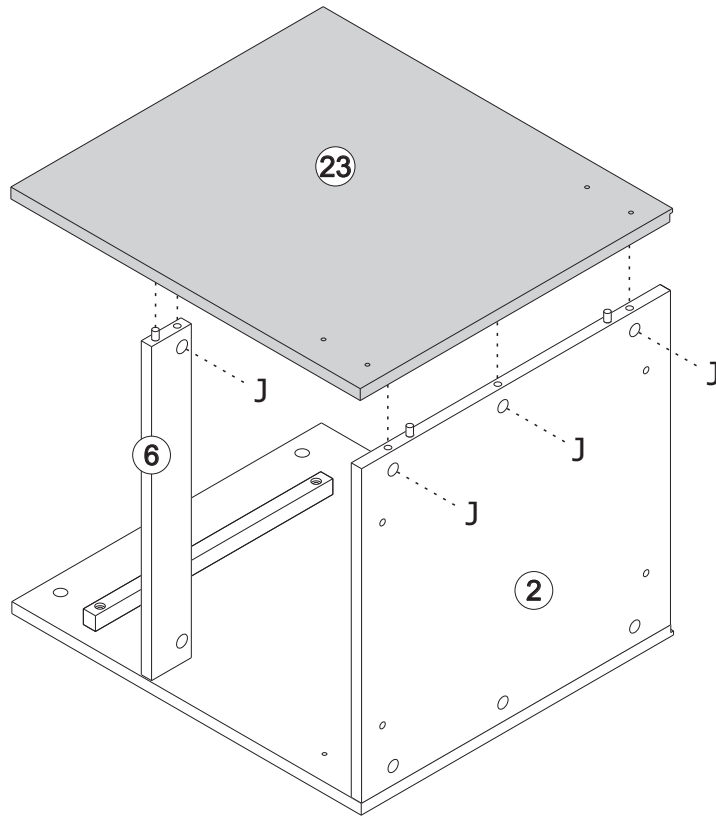
Step 5



Secure parts (2) and (6) to part (24). Insert cam locks (J) into part (2) (6), and tighten with a screwdriver.



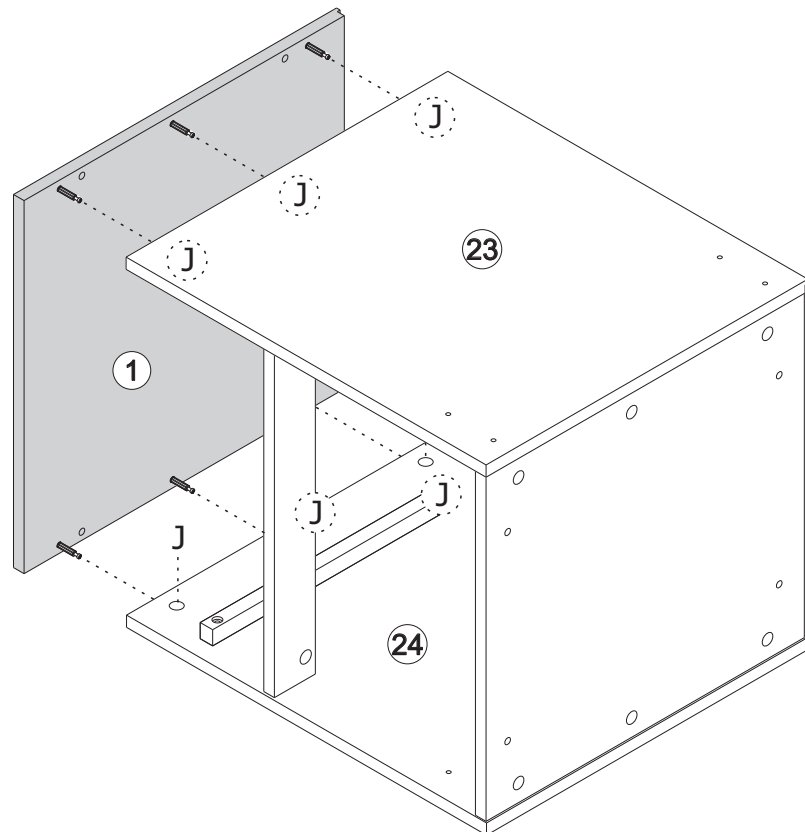
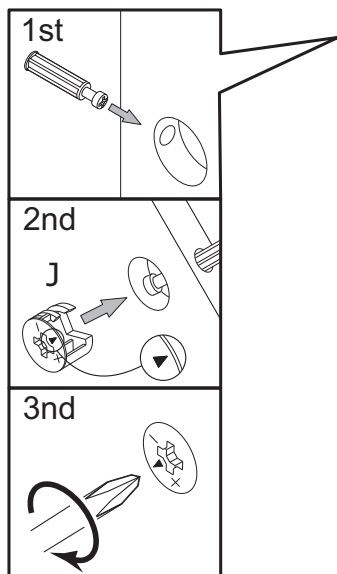
Step 6



Secure part (23) to parts (2) and (6). Insert cam locks (J) into part (2) (6), and tighten with a screwdriver.

J		04
---	---	----

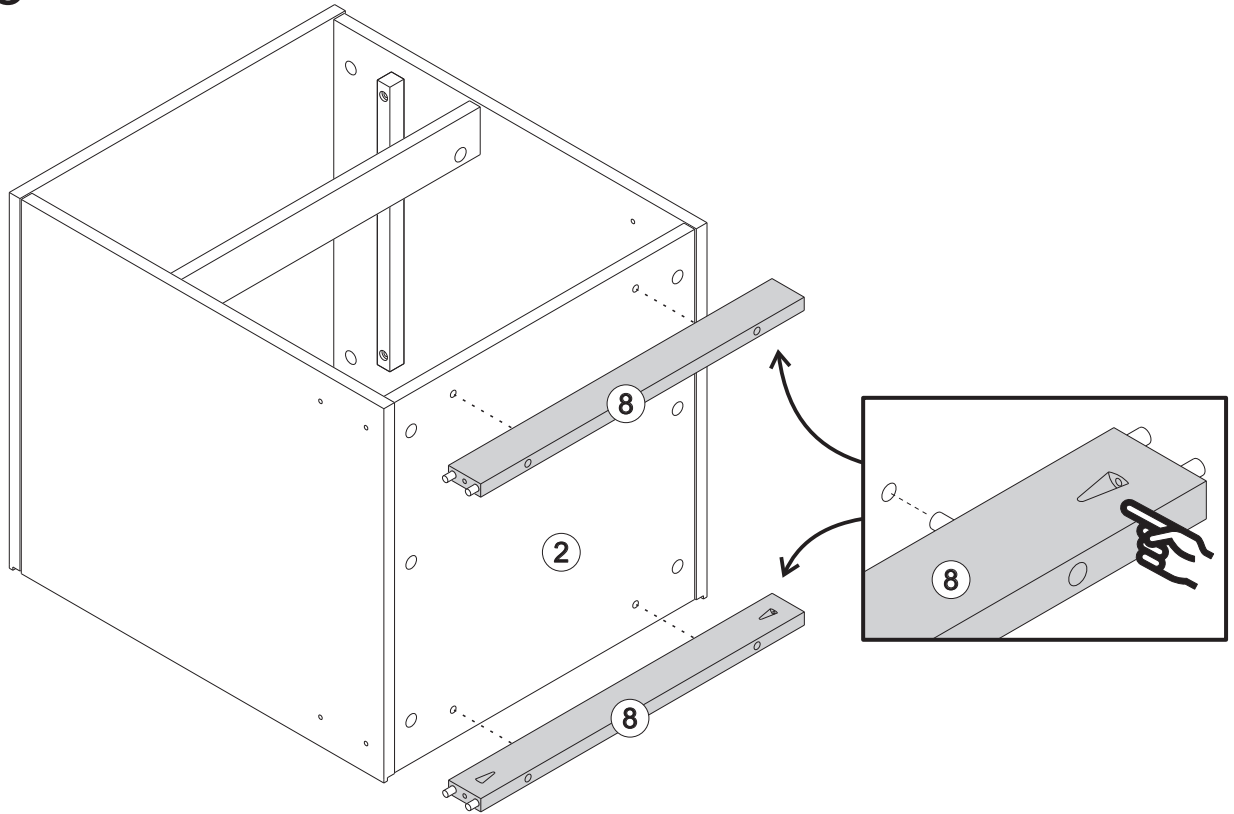
Step 7



Secure part (1) to parts (23) and (24). Insert cam locks (J) into part (23) and (24). Tighten with a screwdriver.

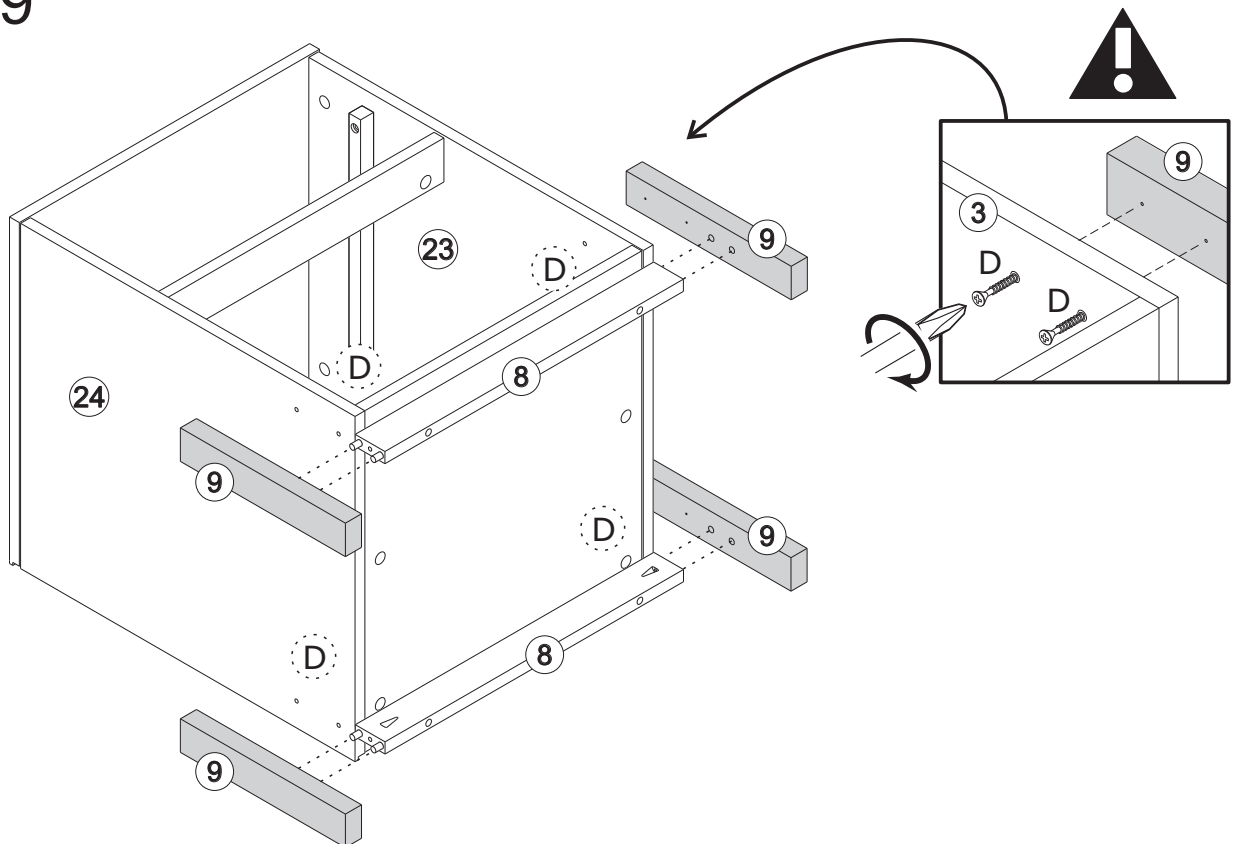
J		06
---	---	----

Step 8

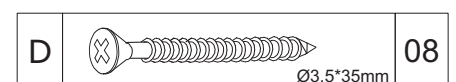


Secure parts (8) to part (2) with wood dowels.

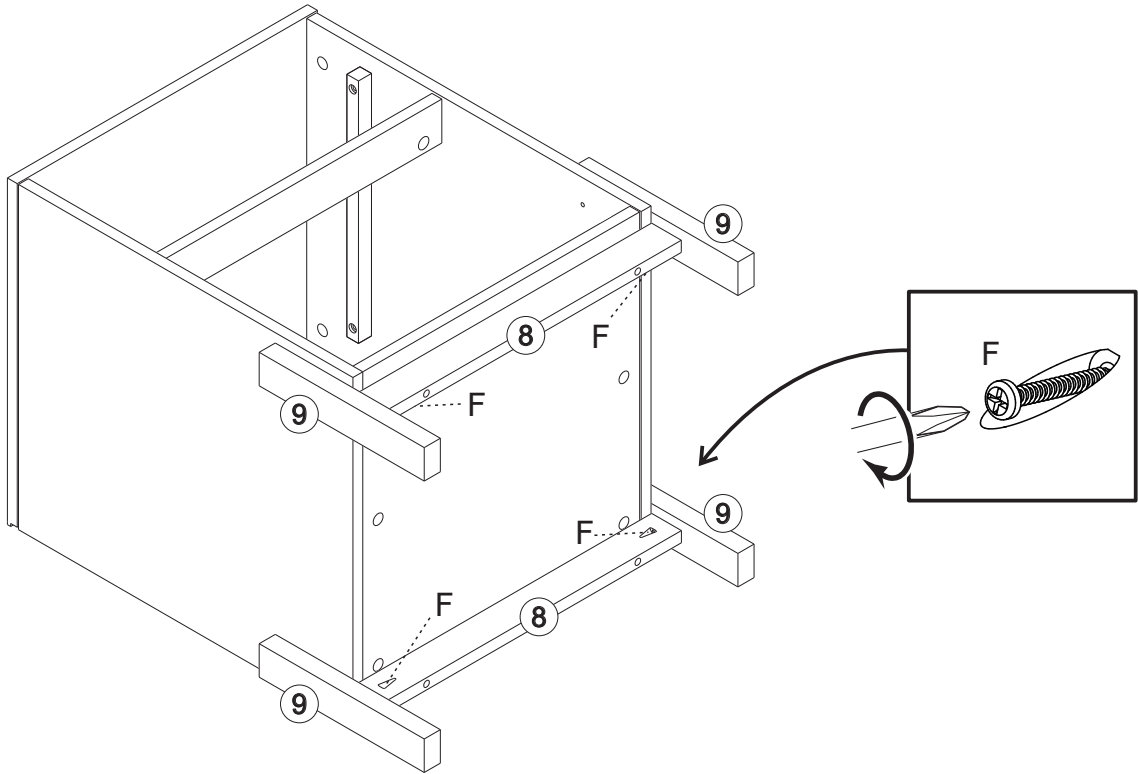
Step 9



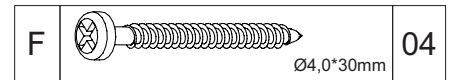
Secure parts (9) x2 to part (23) and parts (8) x2 with screw (D) using the predrilled holes through (23) into parts (9).
Secure parts (9) x2 to part (24) and parts (8) x2 with screw (D) using the predrilled holes through (24) into parts (9)



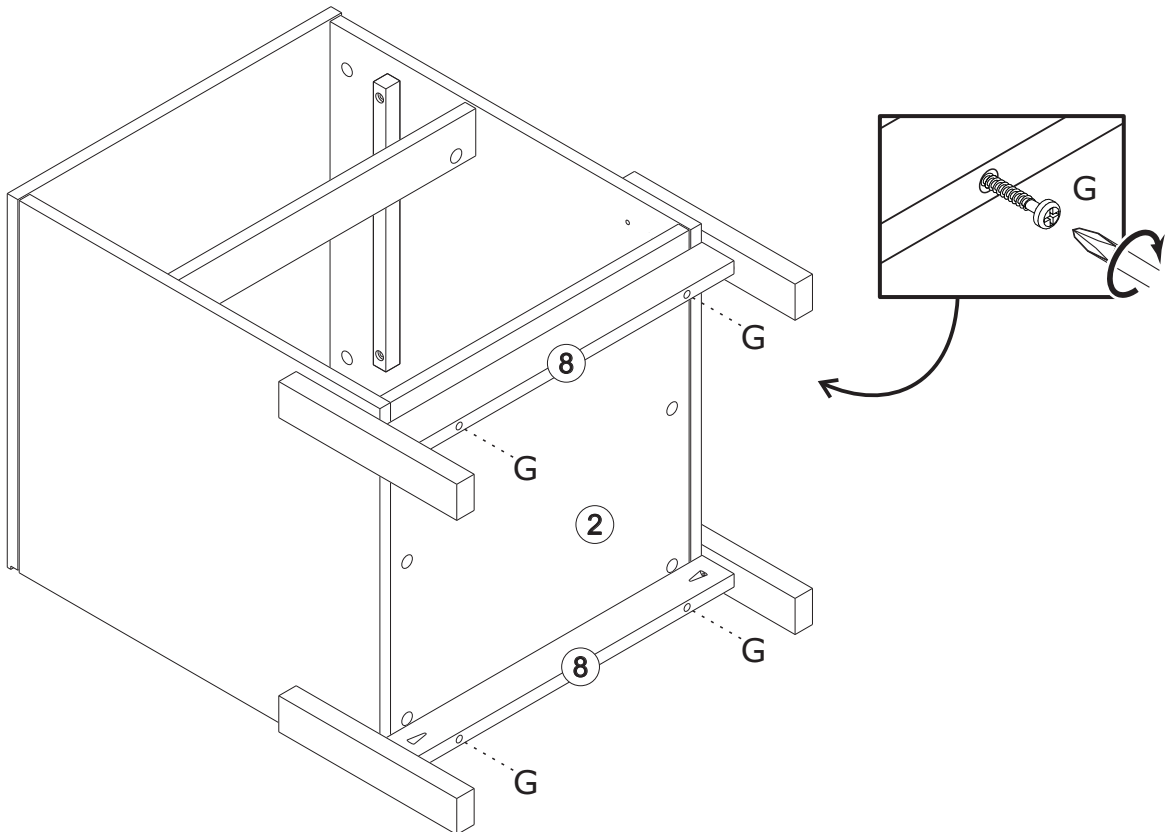
Step 10



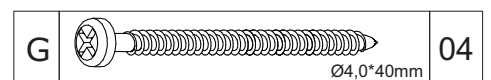
Secure part (8) to part (9) with screw (F) and screwdriver.



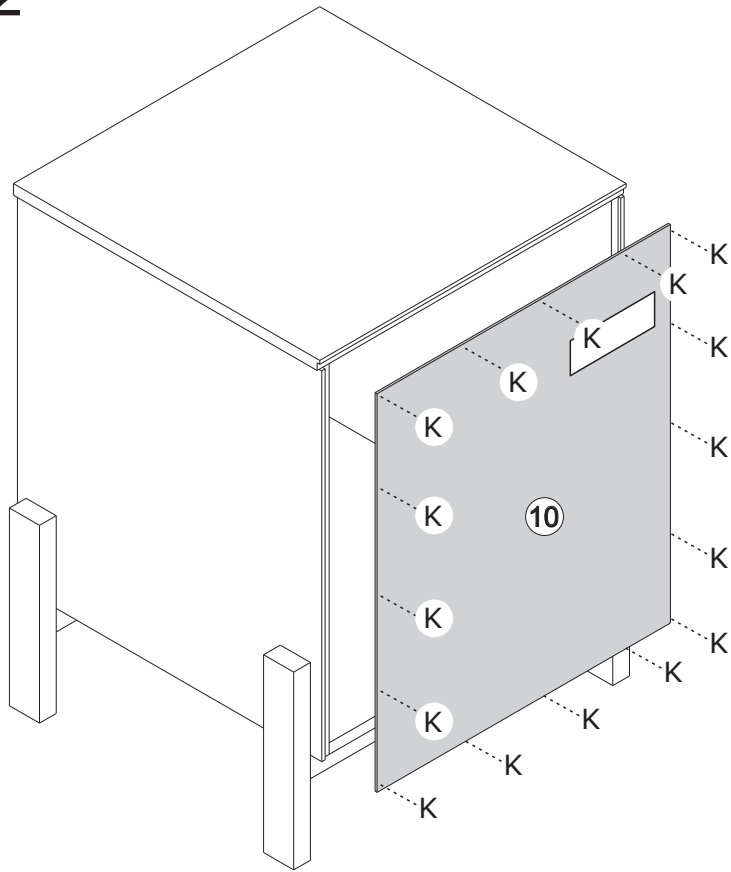
Step 11



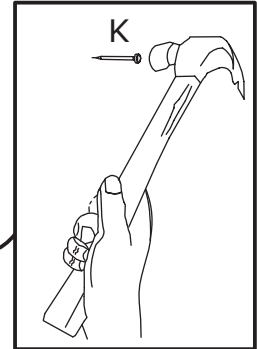
Secure part (8) to part (2) with screw (G) and screwdriver.



Step 12



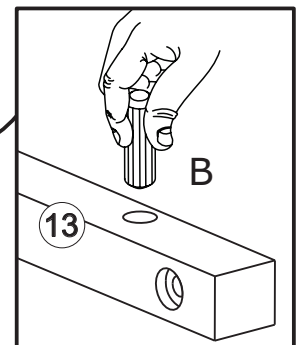
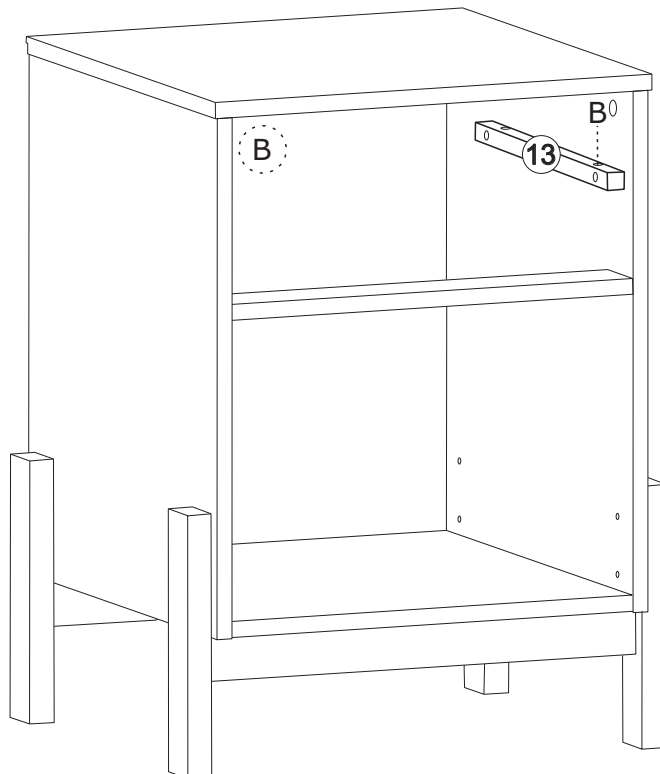
Name and address of the supplier and date of production.



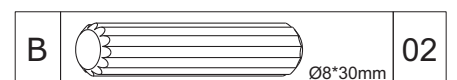
Secure back panel (10) to body with nails (K) and hammer.



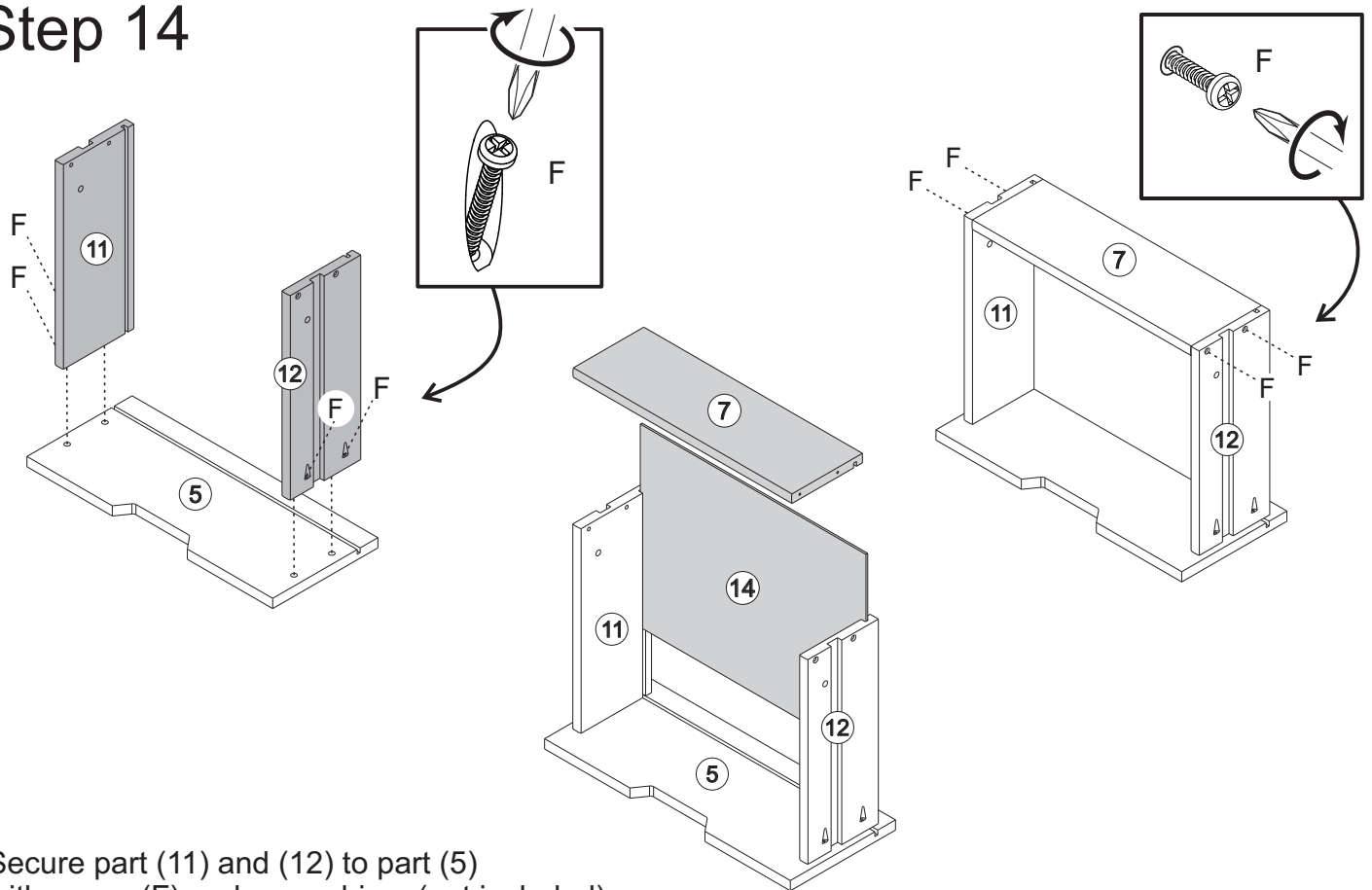
Step 13



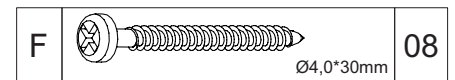
Insert wood dowel (B) into part (13) to be the stop of the drawer.



Step 14



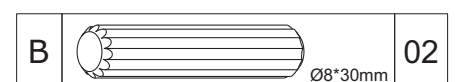
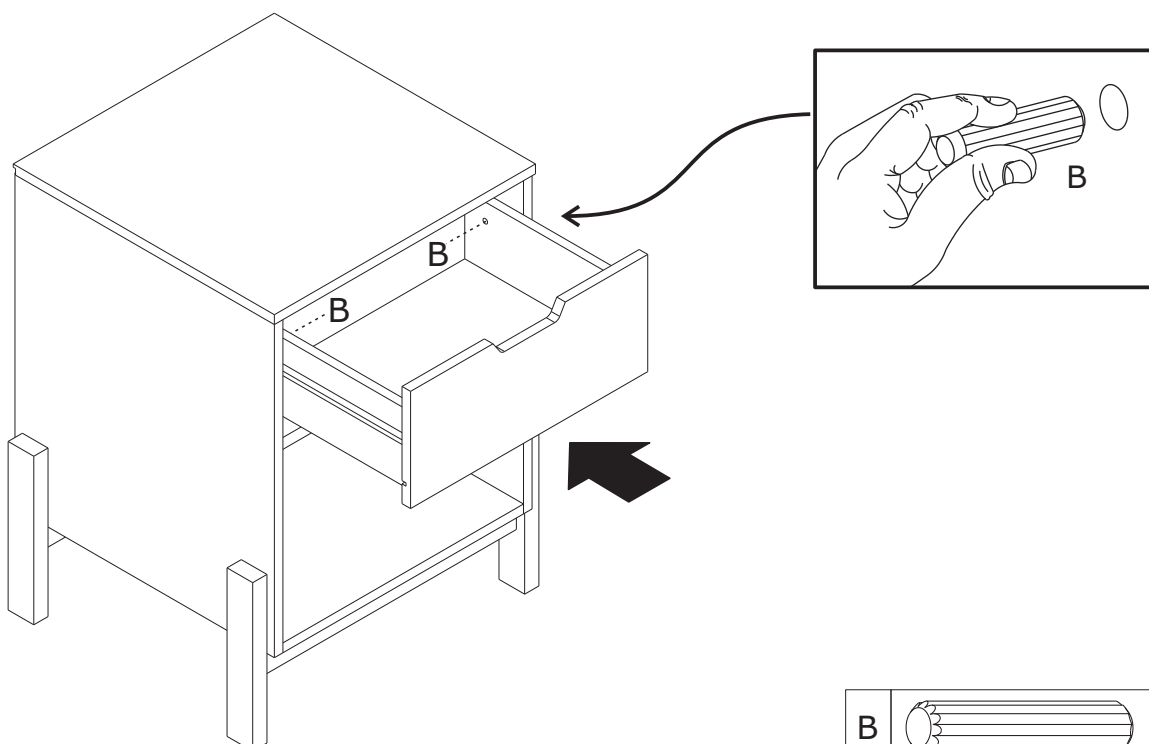
Secure part (11) and (12) to part (5) with screw (F) and screwdriver (not included).
Insert part (14) and (7) between parts (11) and (12).
Secure part (7) with screw (F) and screwdriver.



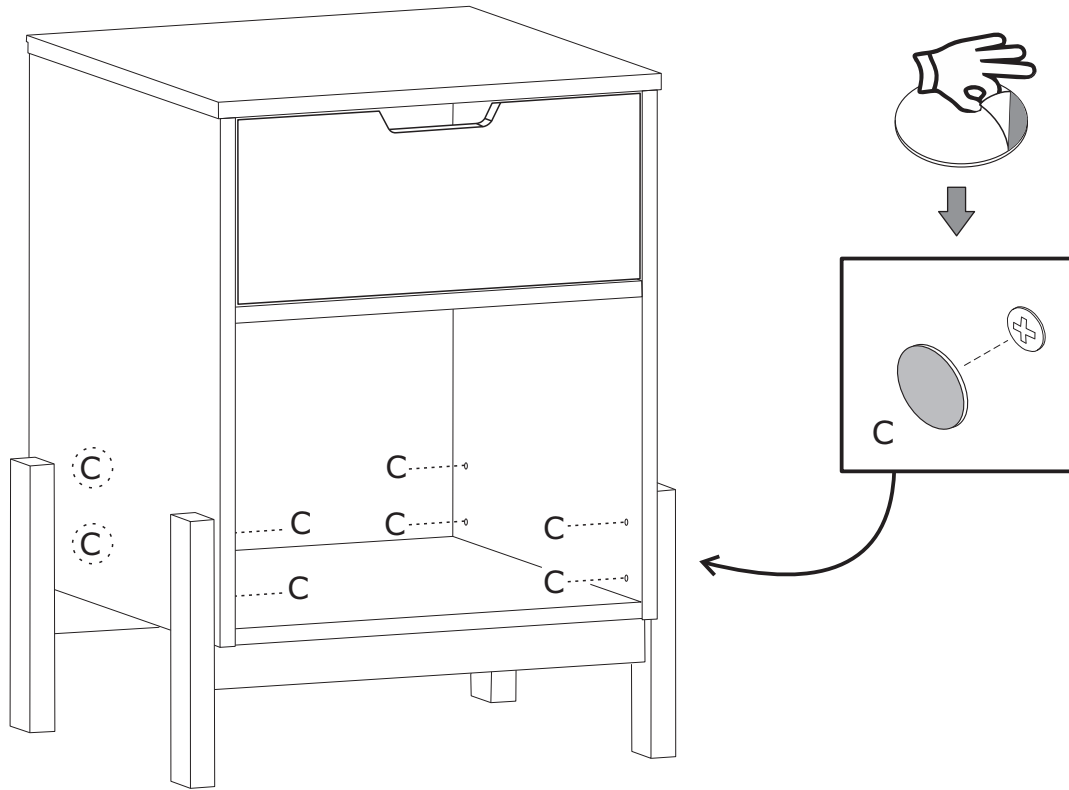
Step 15

Drawer Stop

Insert wood dowel (B) on the inside of the drawer, with the drawer inside the unit, after having passed the wood dowel that is in the drawer runner.
Make sure the wood dowel is flush with the panel.



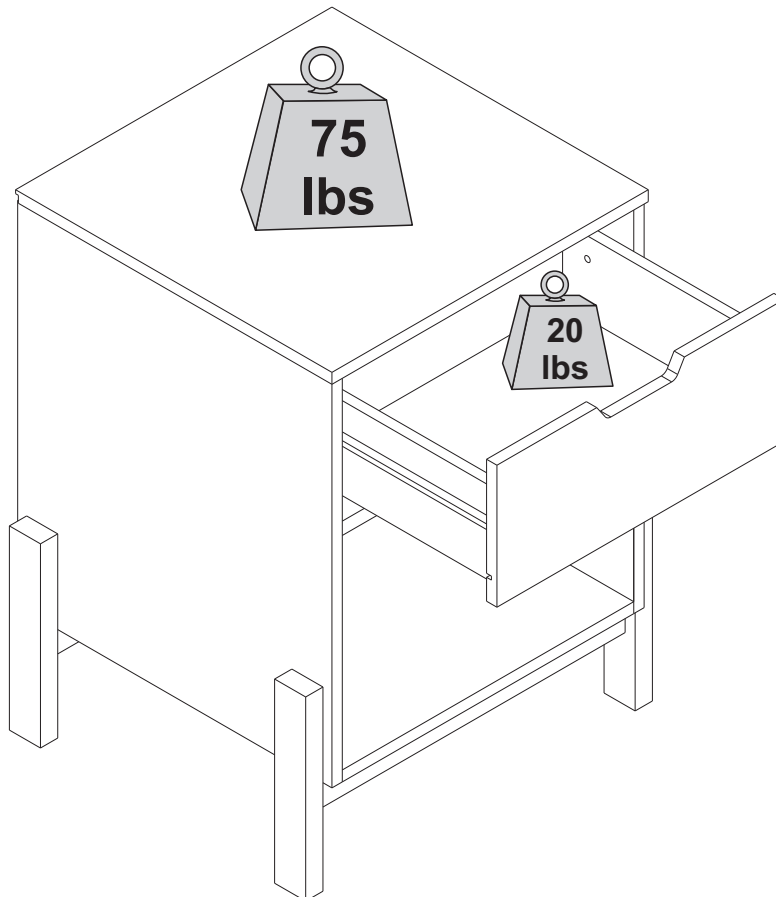
Step 16



Insert the slap hole (C) into the niche.



Step 17



Assembly Complete!