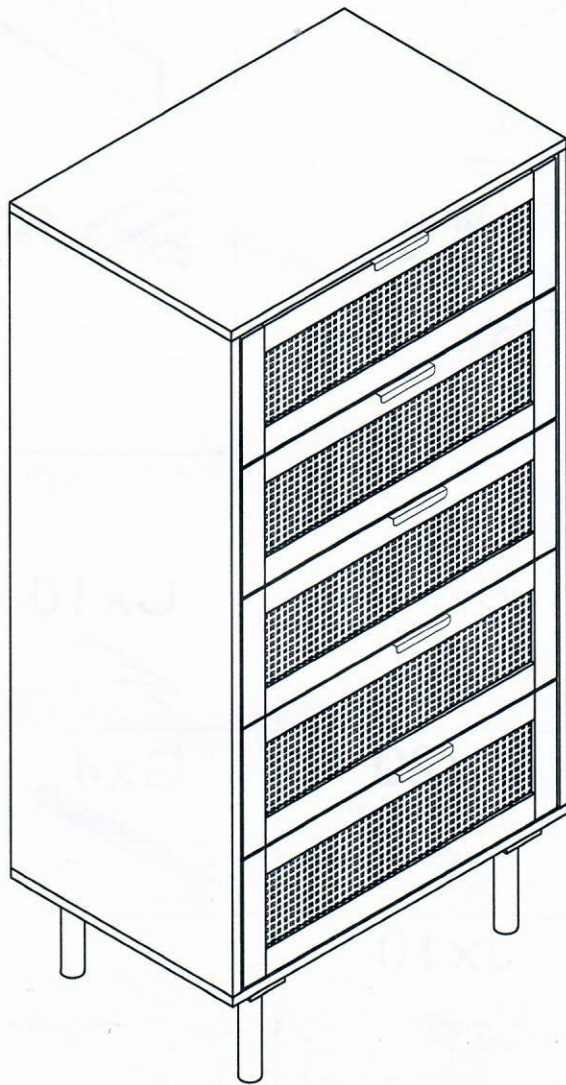
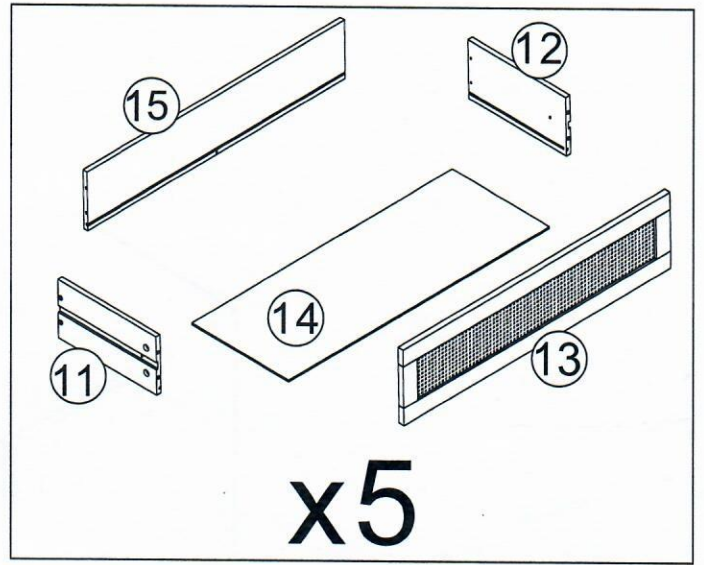
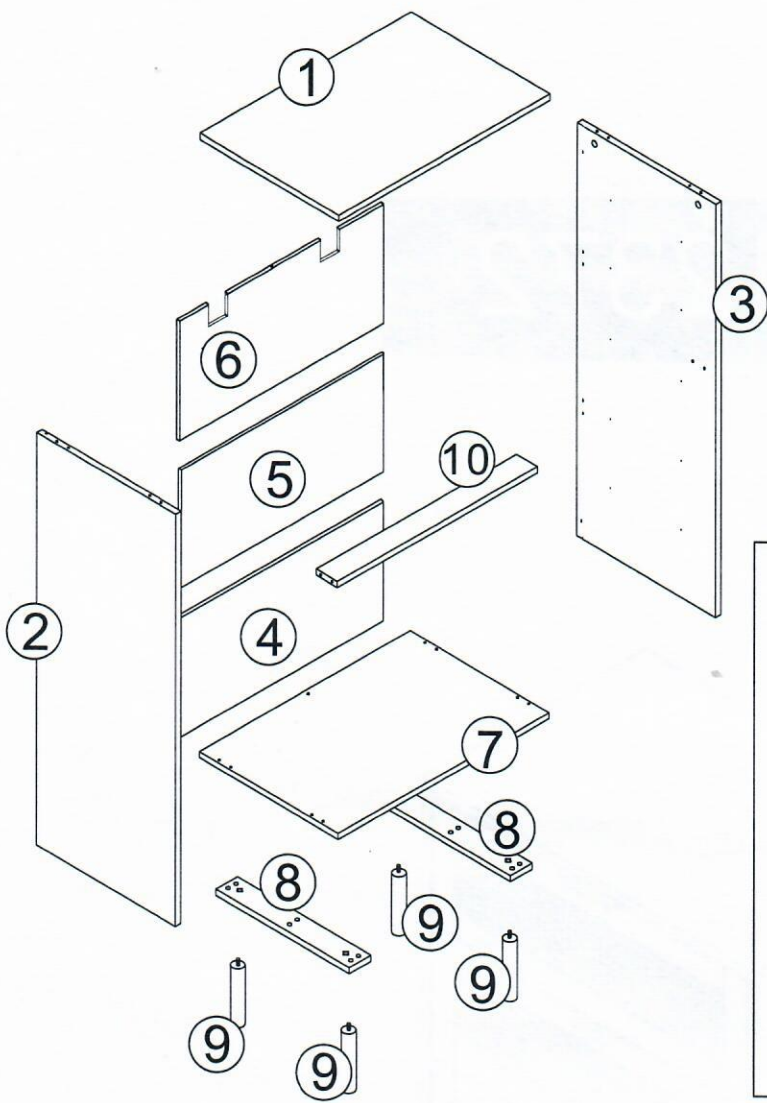








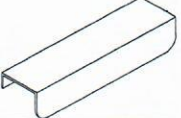


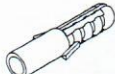




WI12372

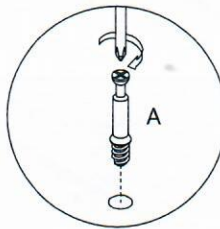
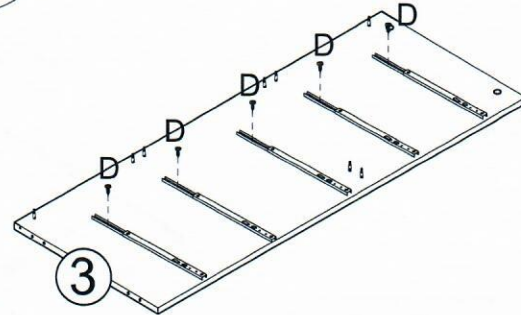
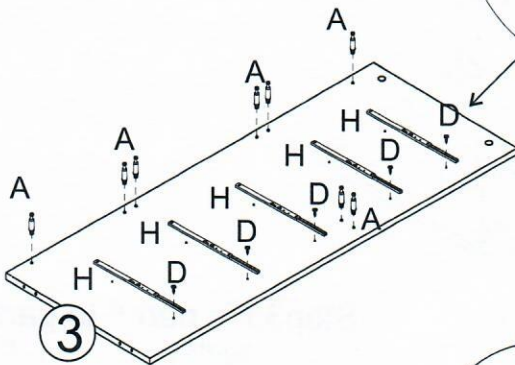
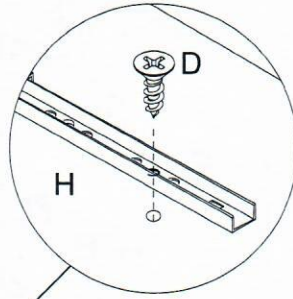
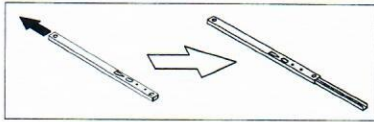




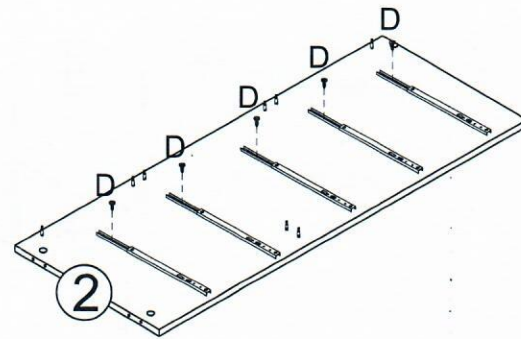
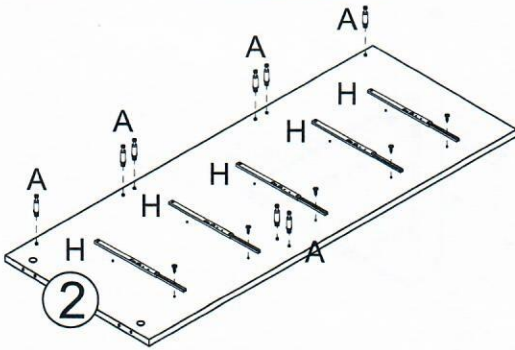
Ax40 	Bx40 	Cx10 	Dx 30 
Ex12 	Fx20 	Gx4 	Hx10 
Ix5 	Jx10 		

Kx2 	Lx2 	Mx2 	Nx2 
--	--	--	--

1



Step1:Screw hardware A on the part 2/3.
Fix part H to part 3 with hardware D.
Fix part H to part 3 with hardware D.



Ax16

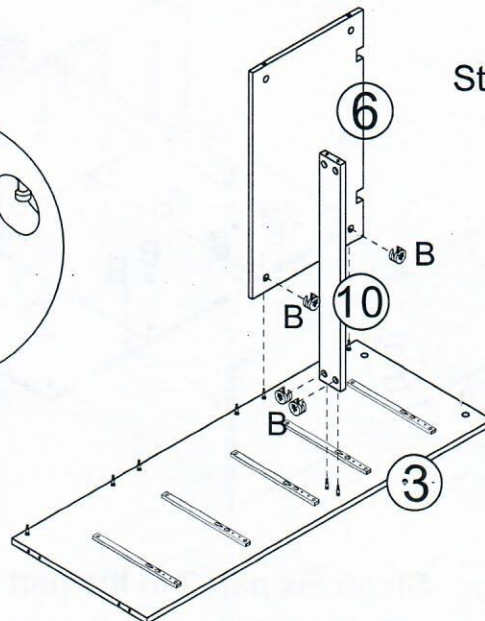
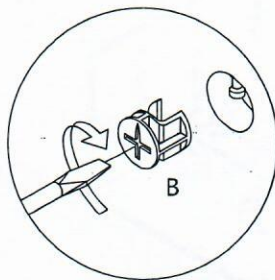


Hx10



Dx20

2

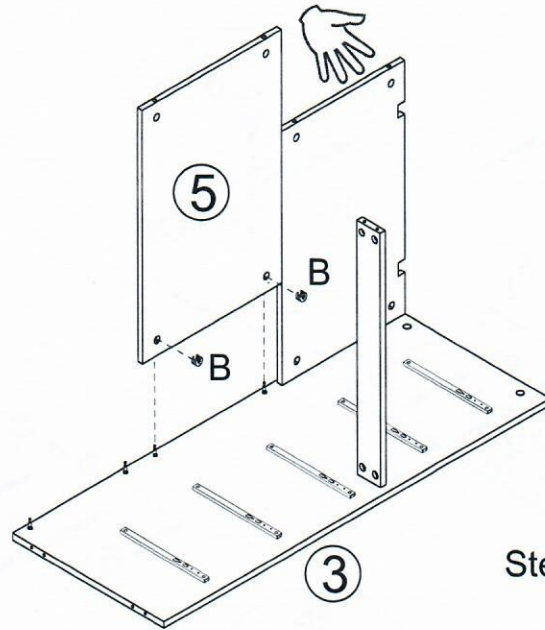


Step2:Fix part10 to part 3
with hardware B.
Fix part 6 to part 3
with hardware B.



Bx4

3

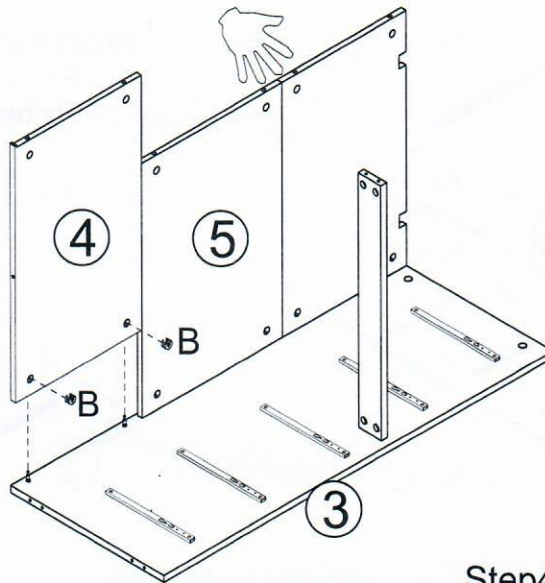


Step3:Fix part 5 to part 3 with hardware B.



Bx2

4

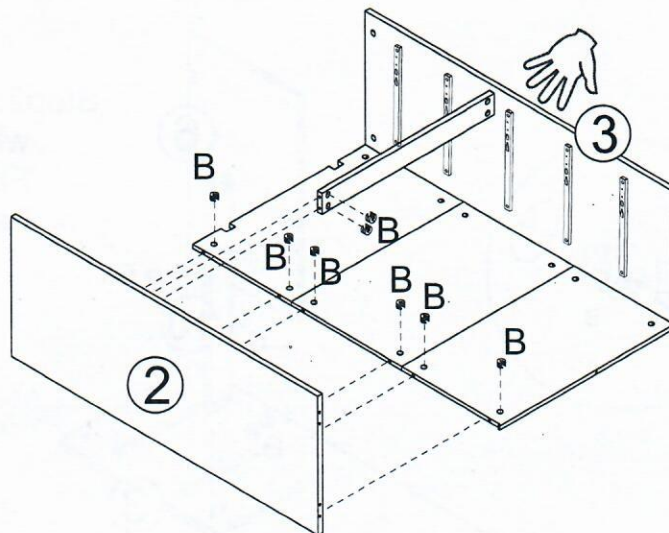


Step4:Fix part 4 to part 3 with hardware B.



Bx2

5



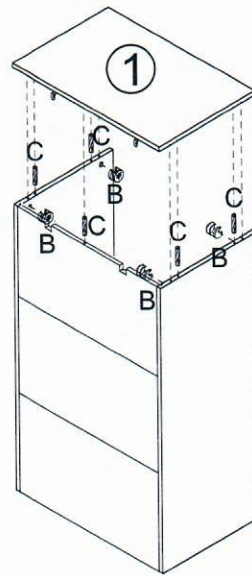
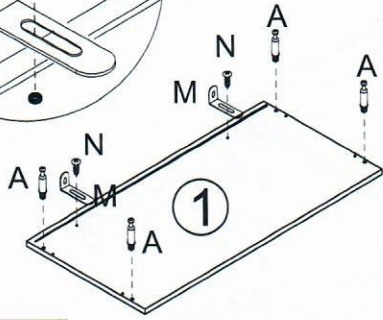
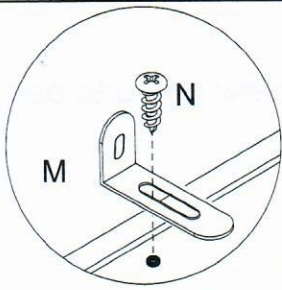
Step5:Fix part 2 to the part 4/5/6 with hardware B.








Bx8

6

Step6: Fix hardware M to the part 1 with hardware N.
Fix part 1 to part2/3/6 with hardware B/C.

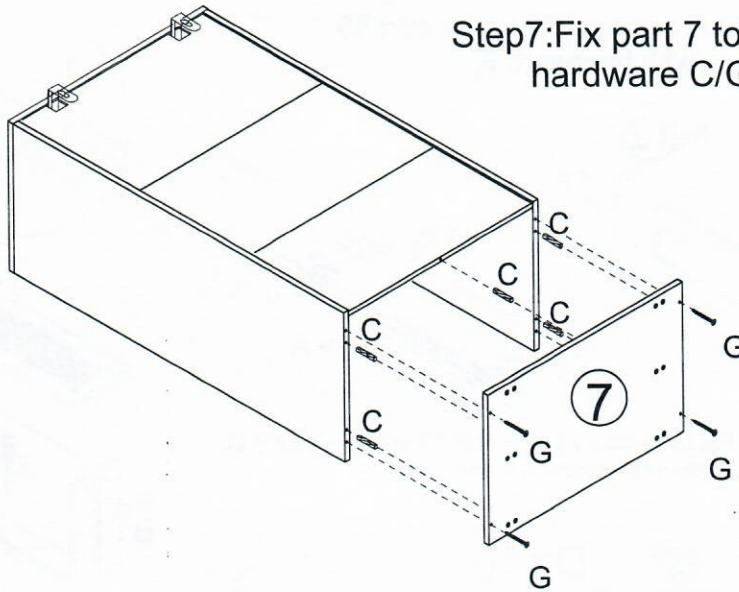




	Ax4
	Bx4
	Cx5

	Mx2
	Nx2

7

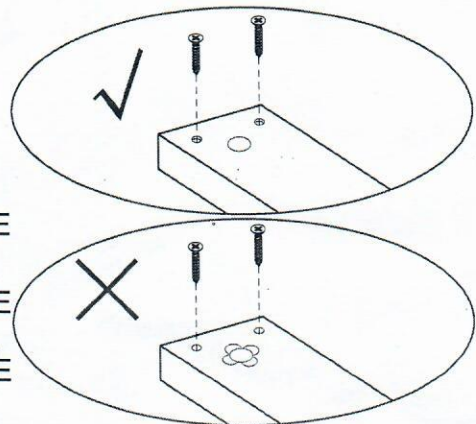
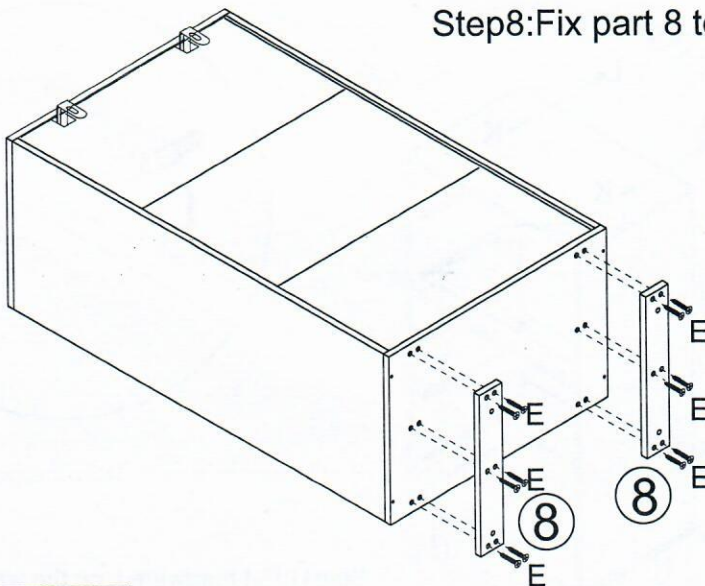
Step7: Fix part 7 to part 2/3/4 with hardware C/G.




	Gx4
	Cx5

8

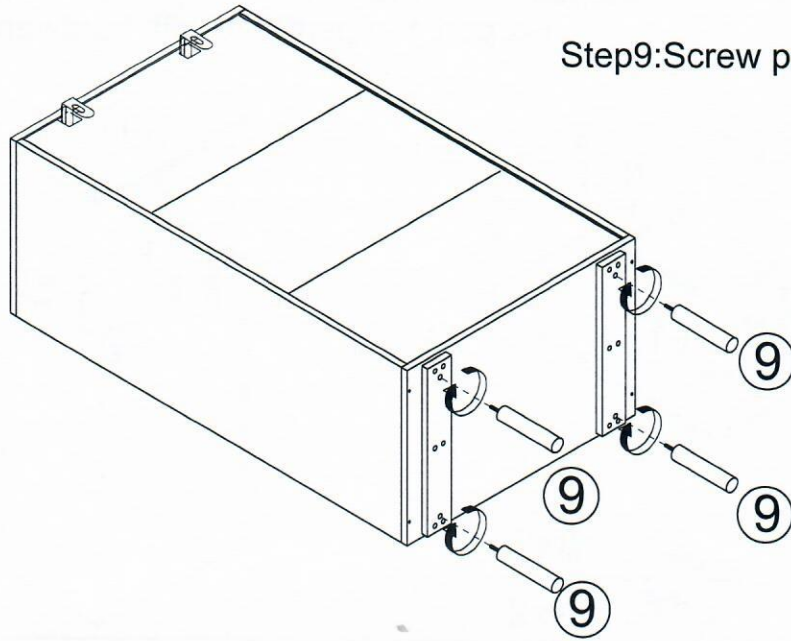
Step8: Fix part 8 to part 7 with hardware E.



	Ex12
---	------

9

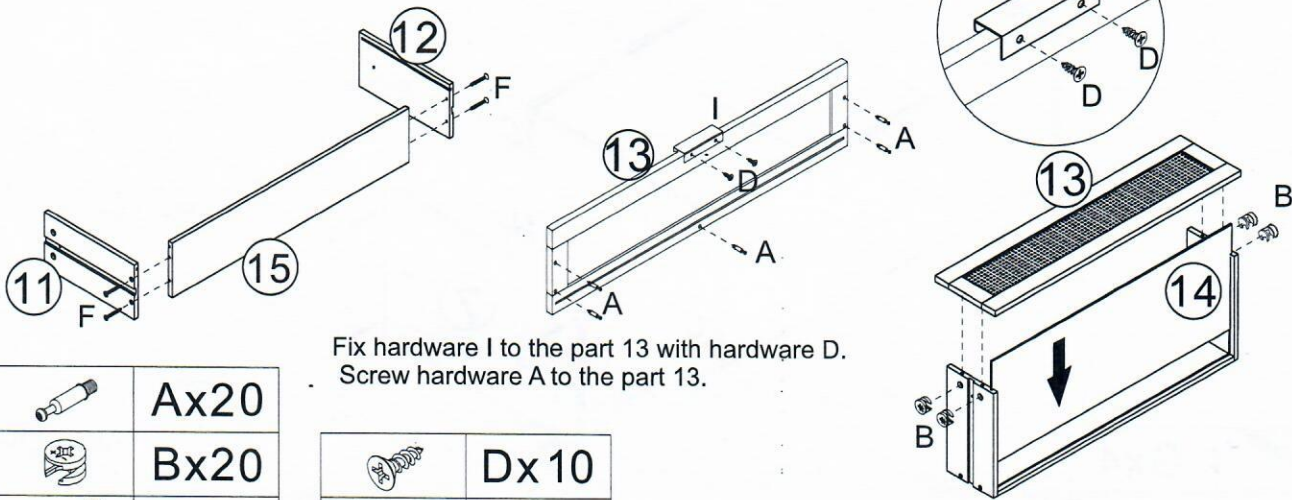
Step9:Screw part 9 to part 8.






10



x5

Step10:Fix part 11/12 to the part 15 with hardware F.



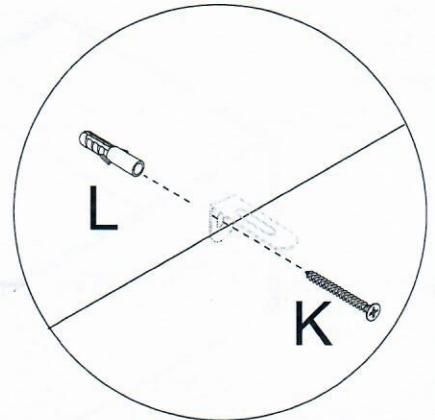
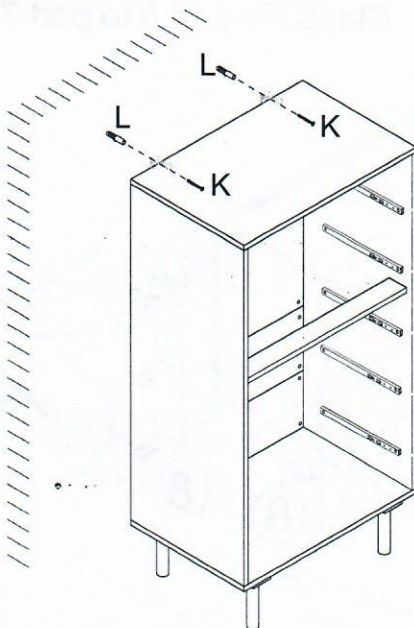
Fix hardware I to the part 13 with hardware D.
Screw hardware A to the part 13.

	Ax20
	Bx20
	Fx20



	Dx 10
	Ix 5

Fix part 13 to the part 11/12 with hardware B.

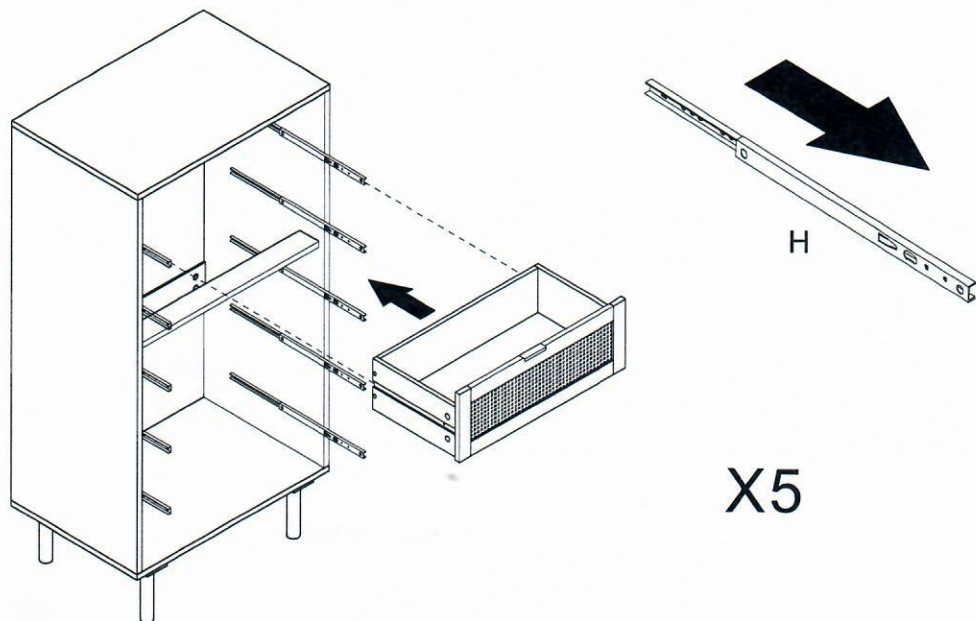
11



Step11:Put hardware L on the wall.
Screw hardware K to the hardware M.

	Kx2
	Lx2

12

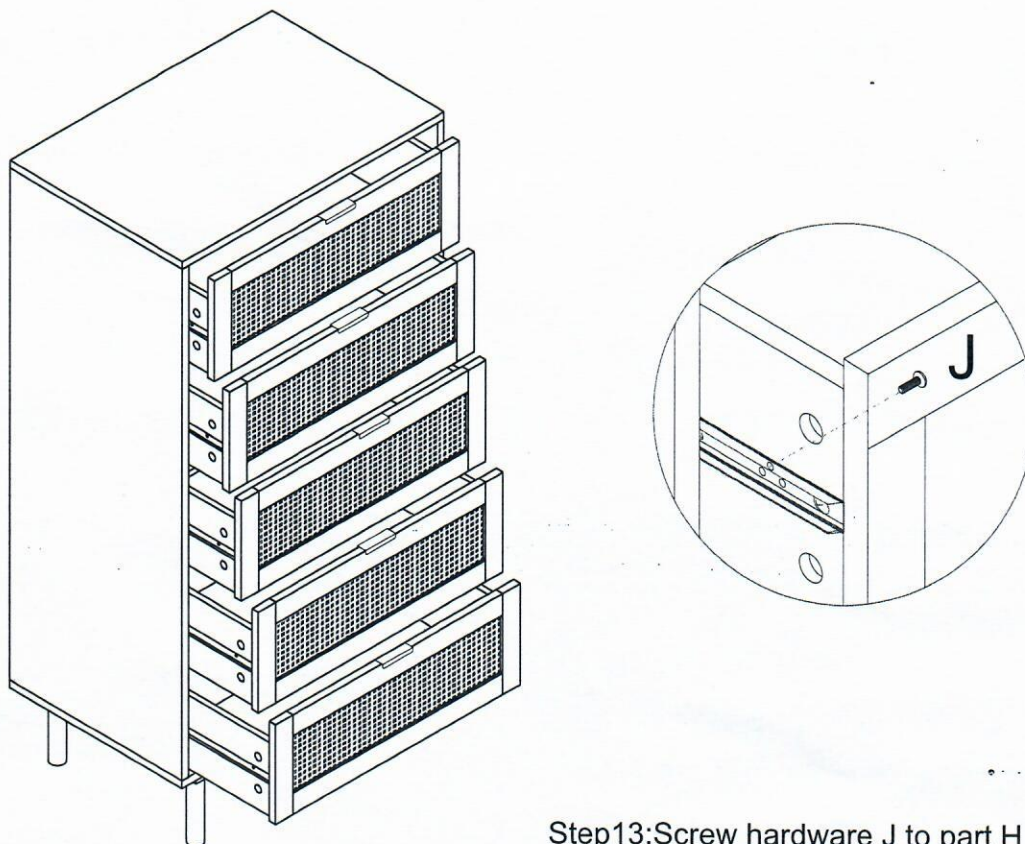


Step12:Put the drawer to the cabinet.



Jx10

13



Step13:Screw hardware J to part H