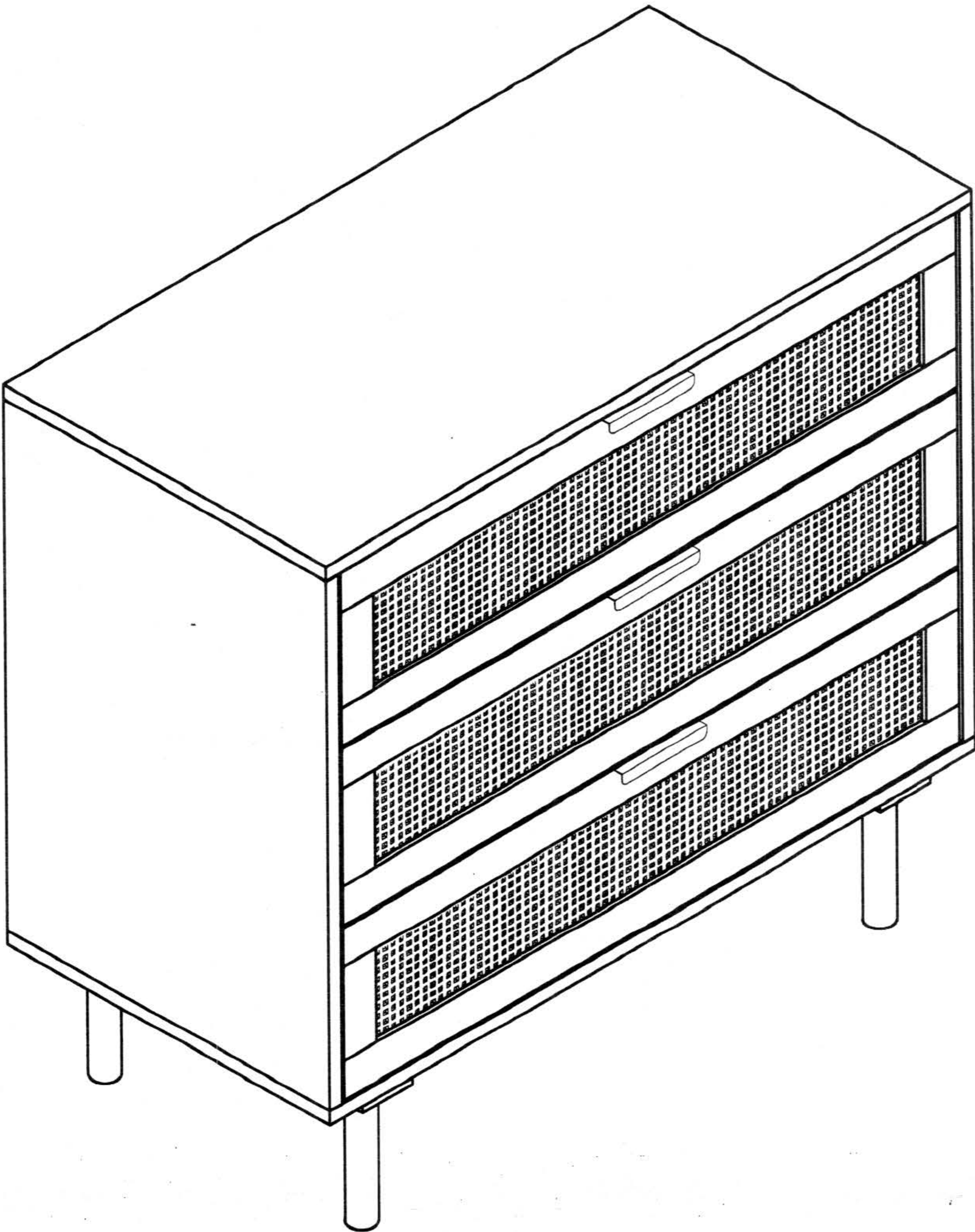
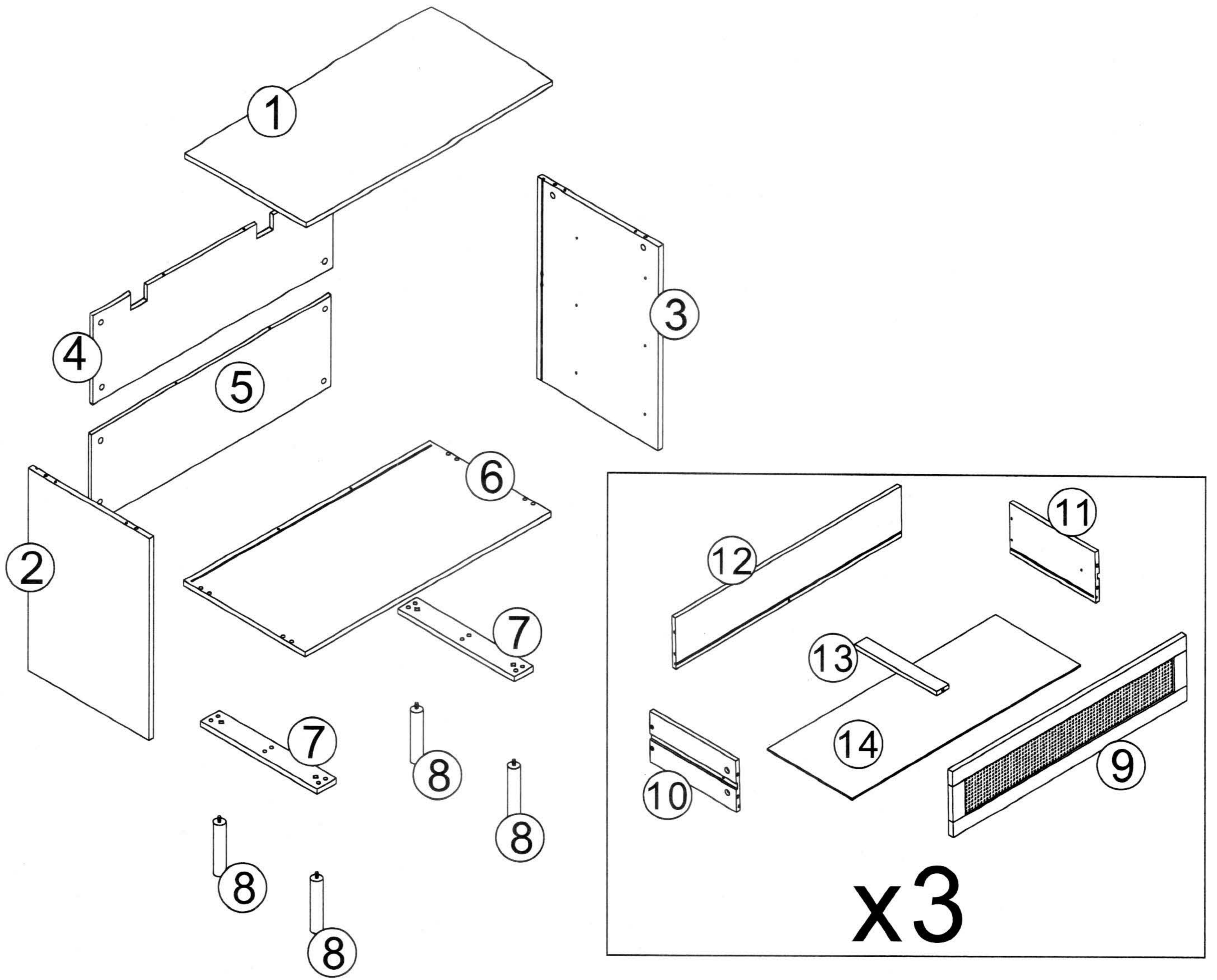


WI12371

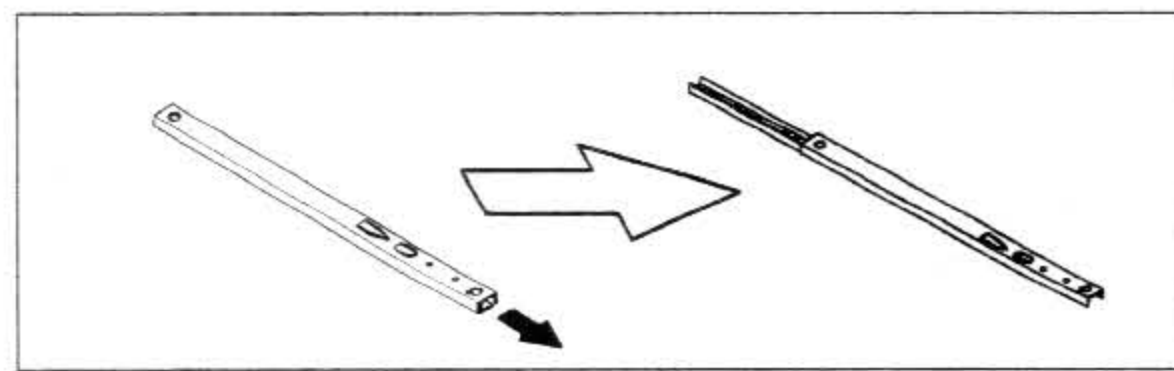
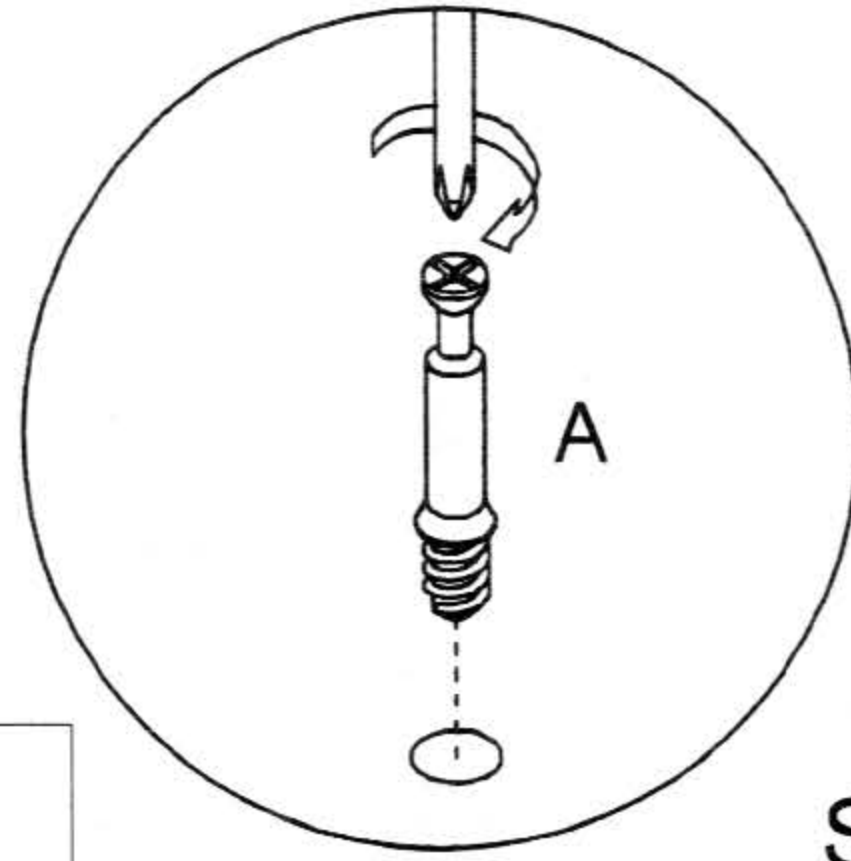
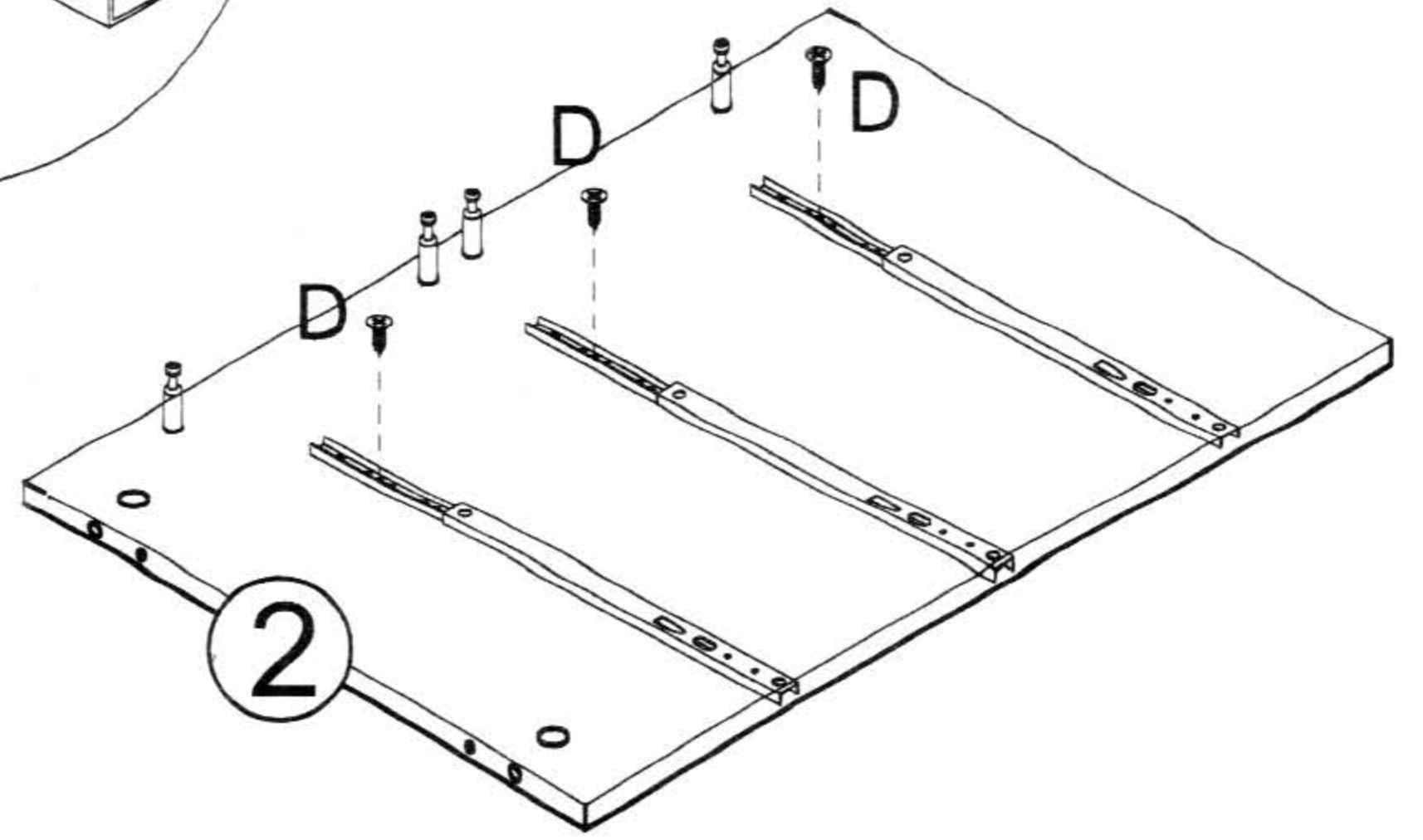
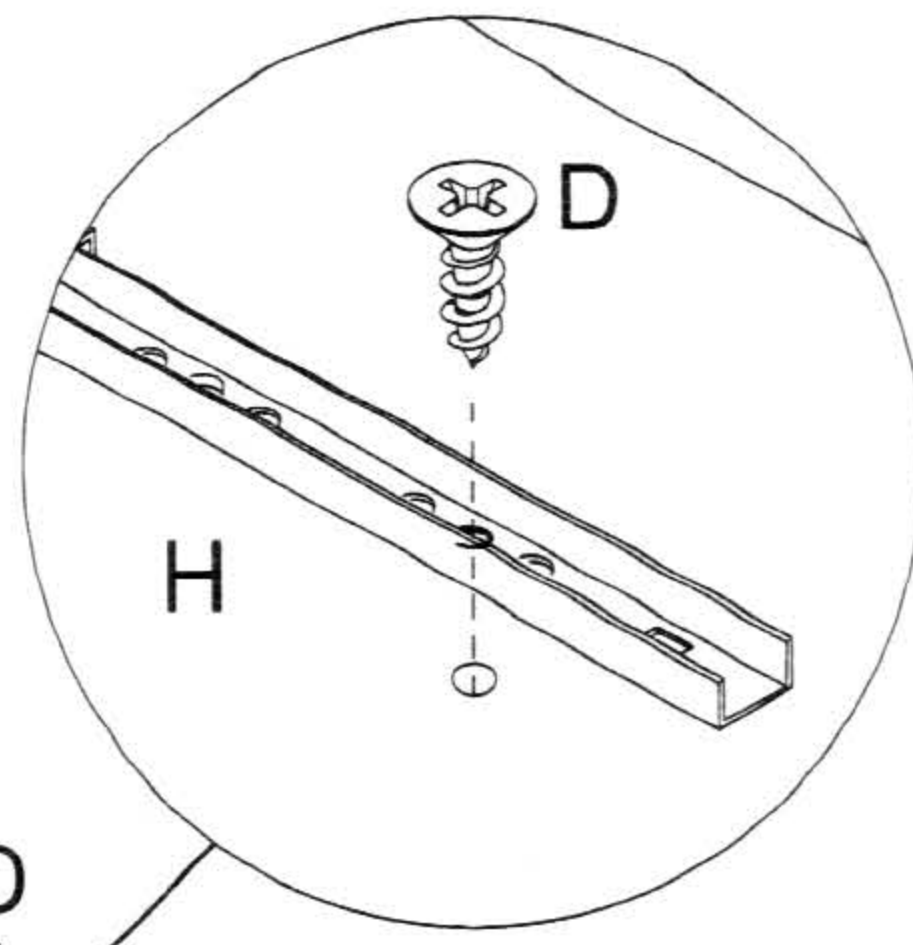
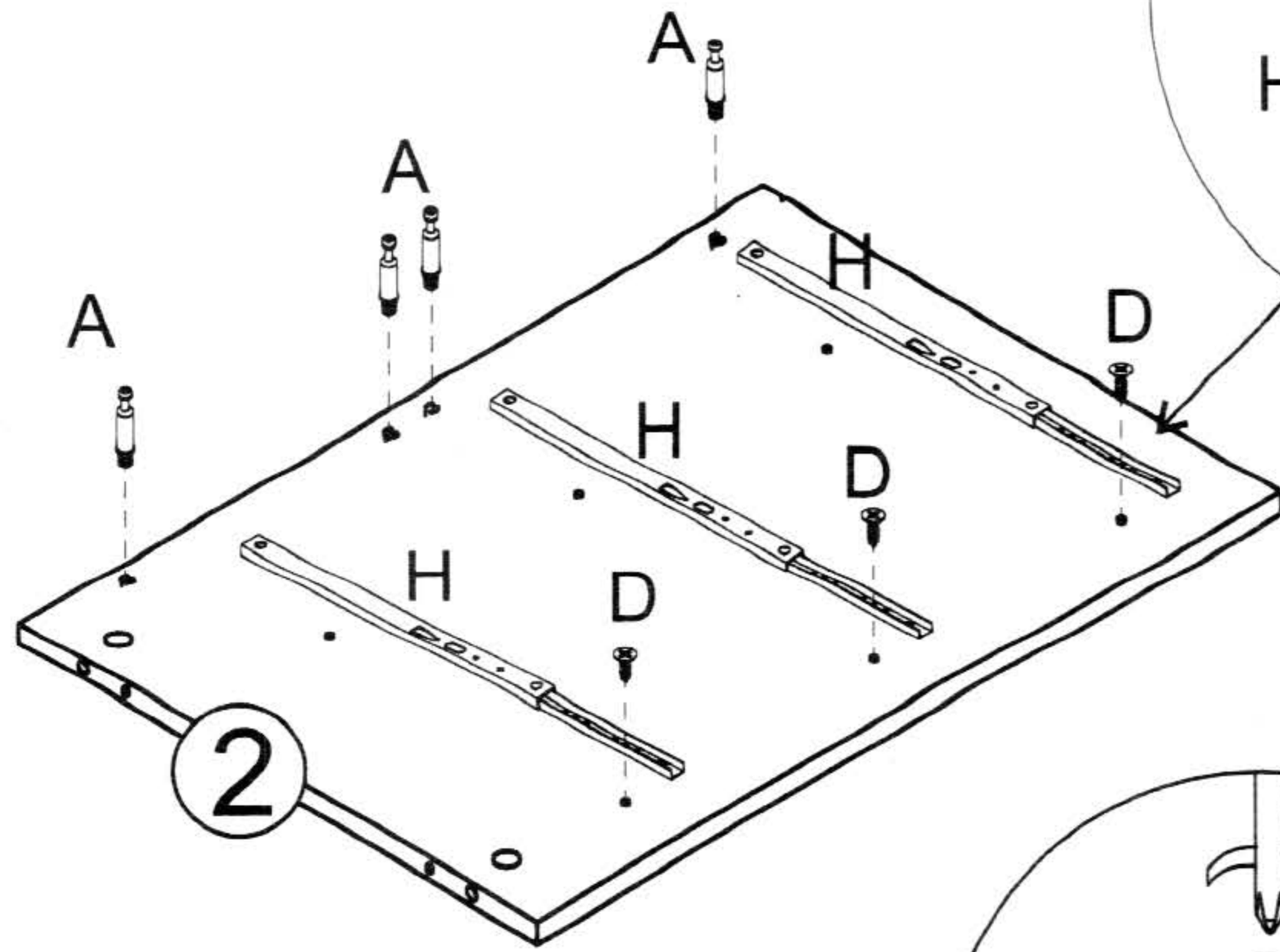
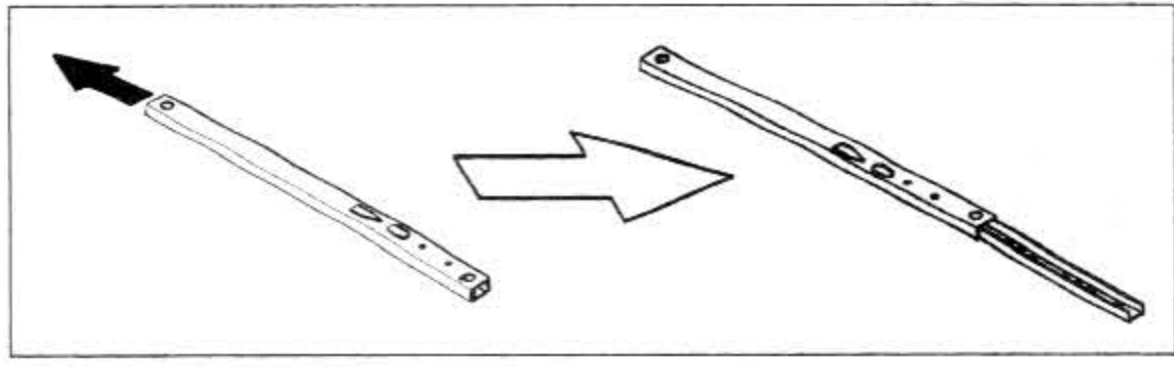




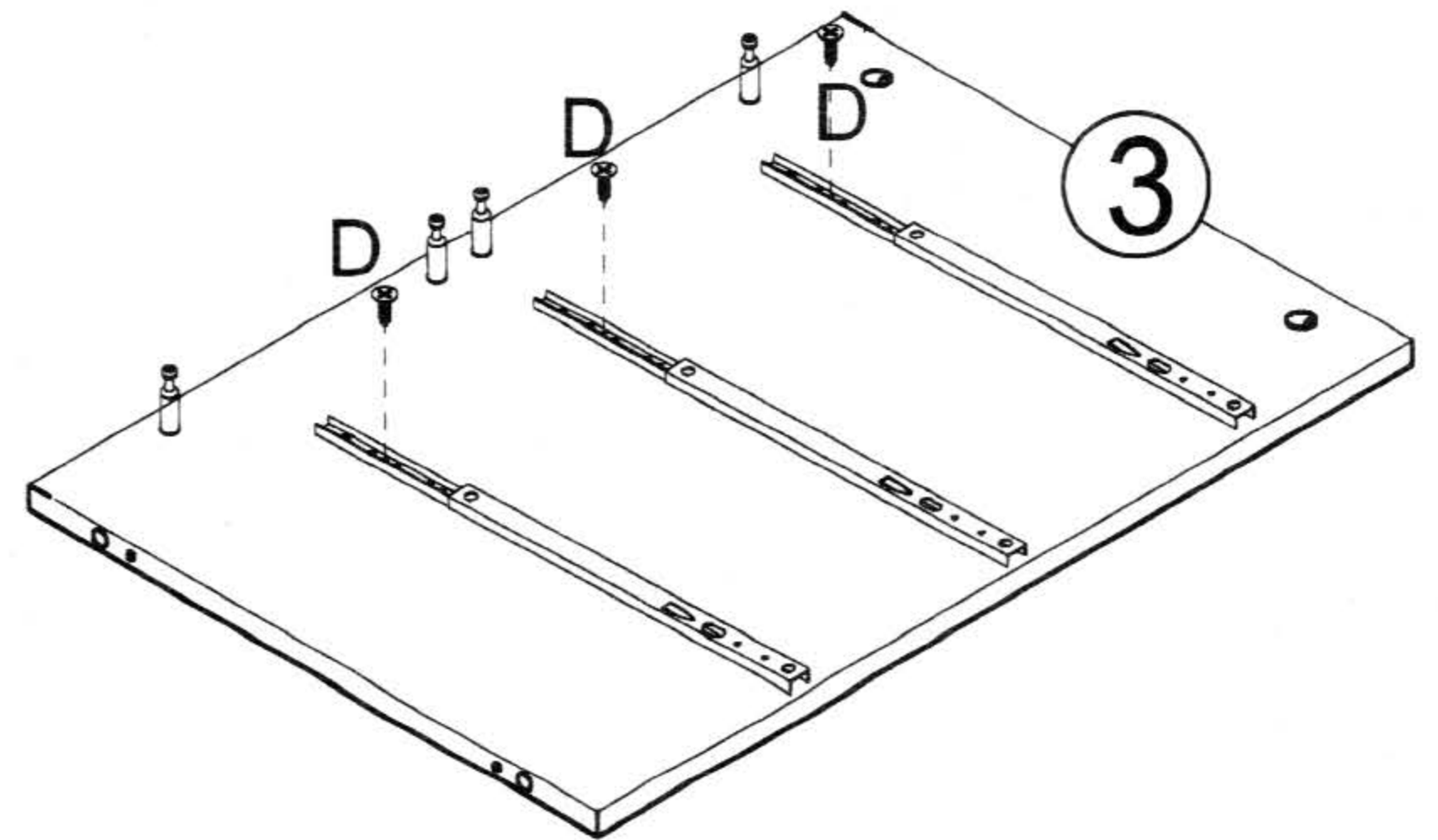
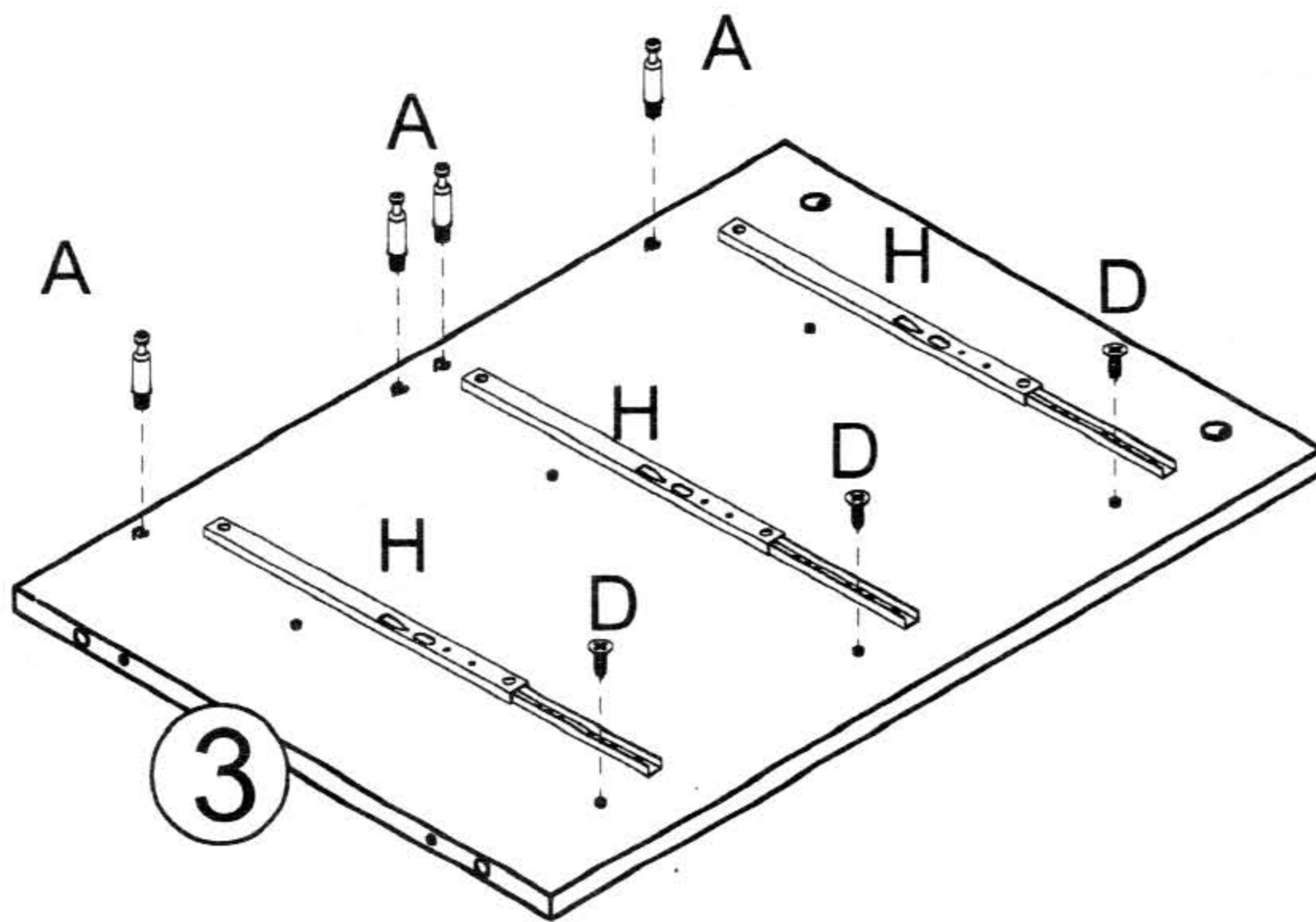
Ax27 	Bx27 	Cx14 	Dx18
Ex12 	Fx15 	Gx4 	Hx6
Ix3 	Jx6 		

Kx2 	Lx2 	Mx2 	Nx2
----------------	----------------	----------------	----------------

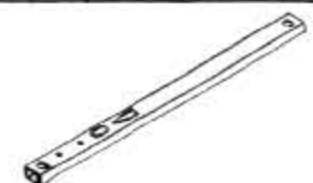
1



Step1: Screw hardware A on the part 2/3.
Fix part H to part 2 with hardware D.
Fix part H to part 3 with hardware D.



Ax8



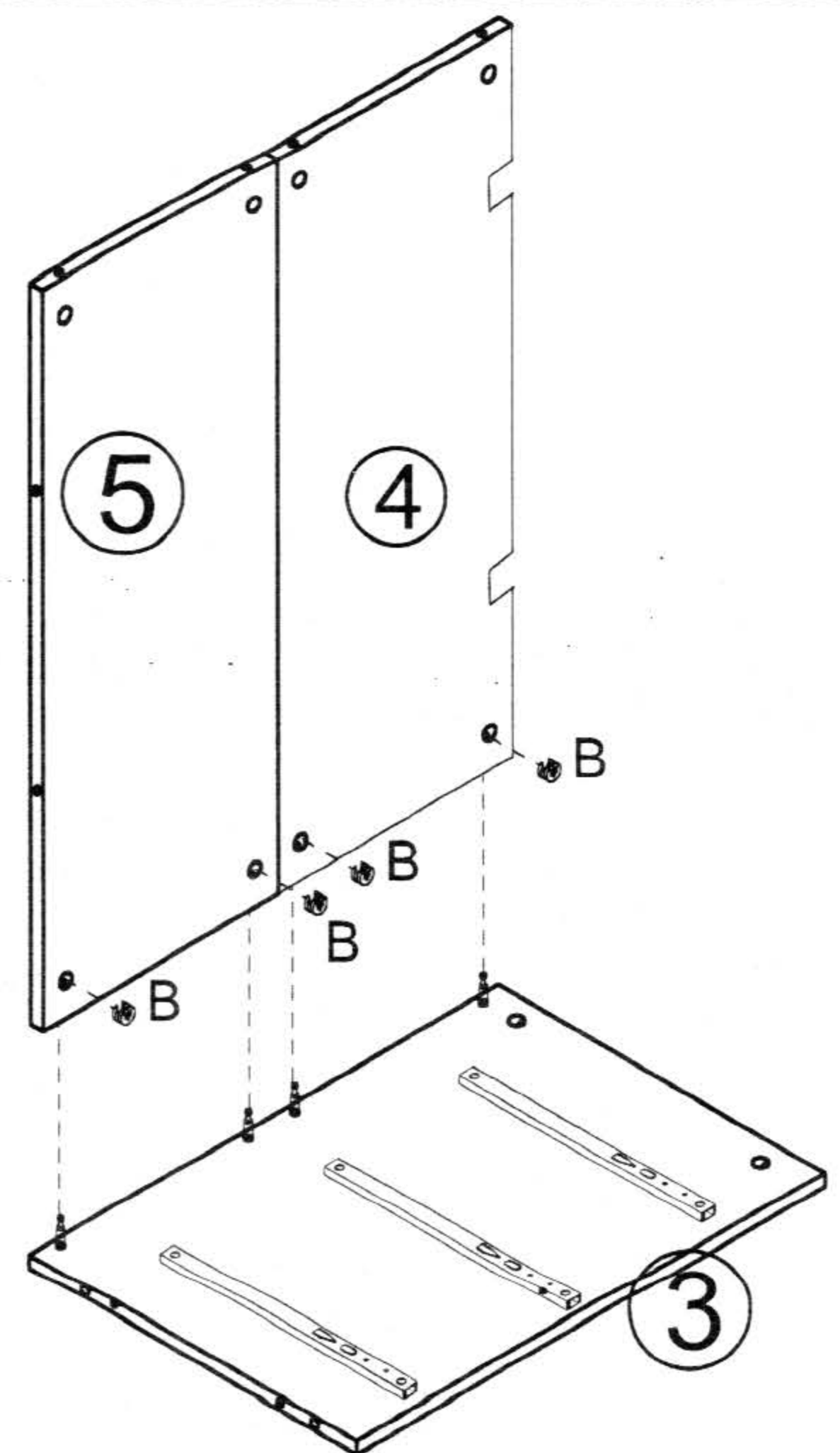
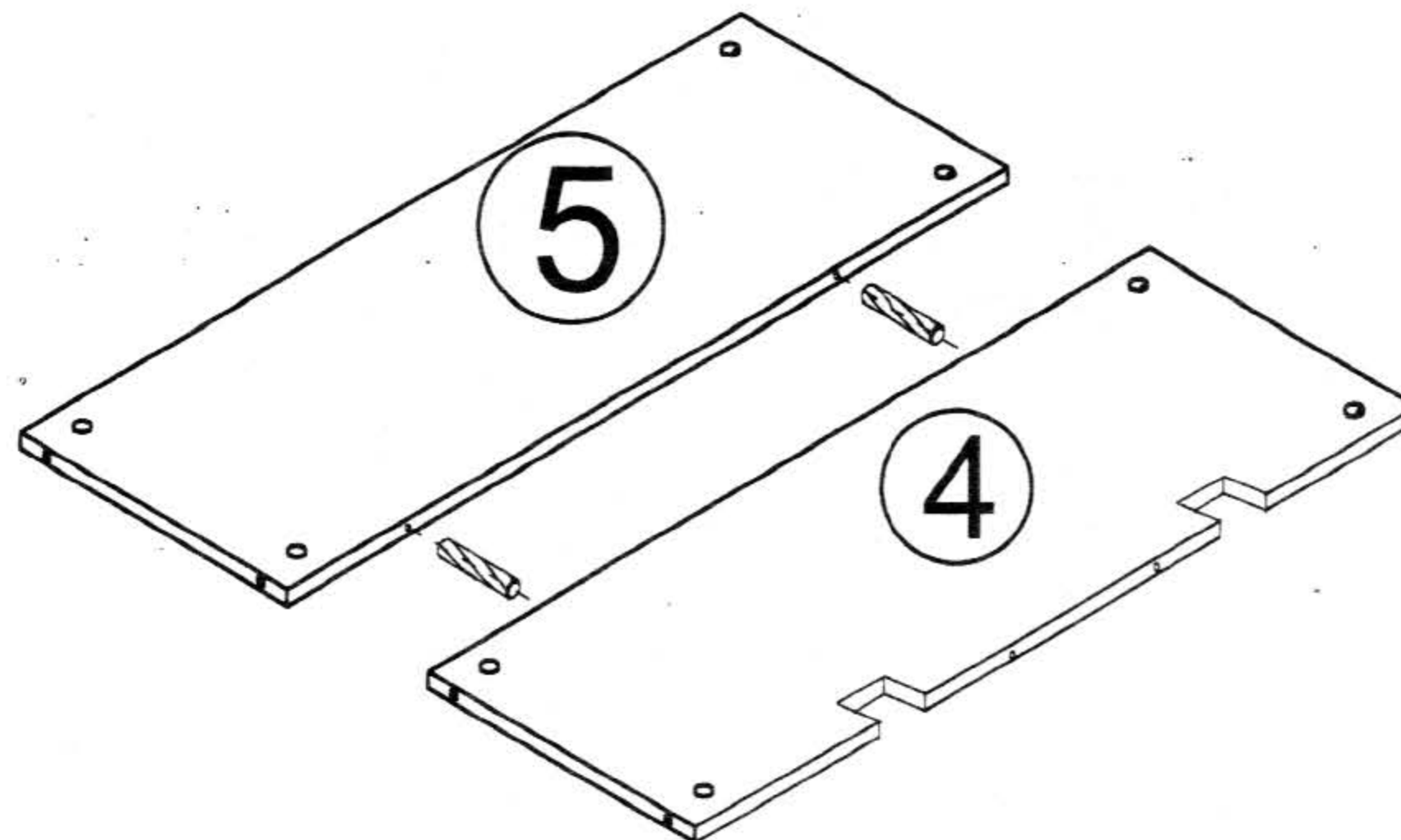
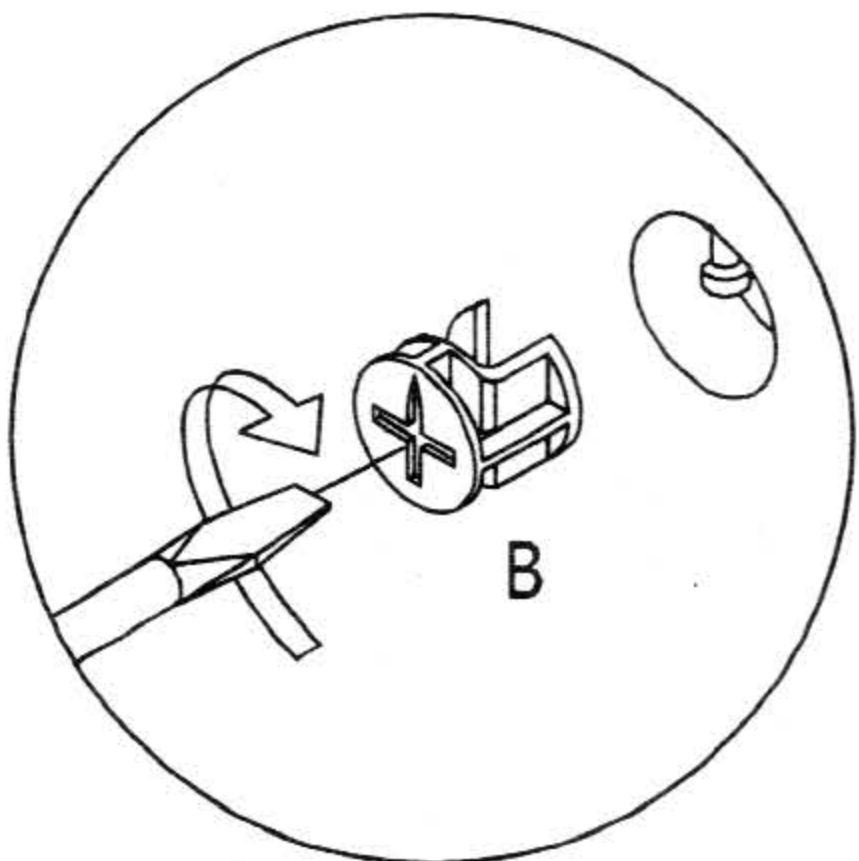
Hx6



Dx12

2

Step2: Fix part 4 to part 5 with hardware C.
Fix part 3 to part 4/5 with hardware B.

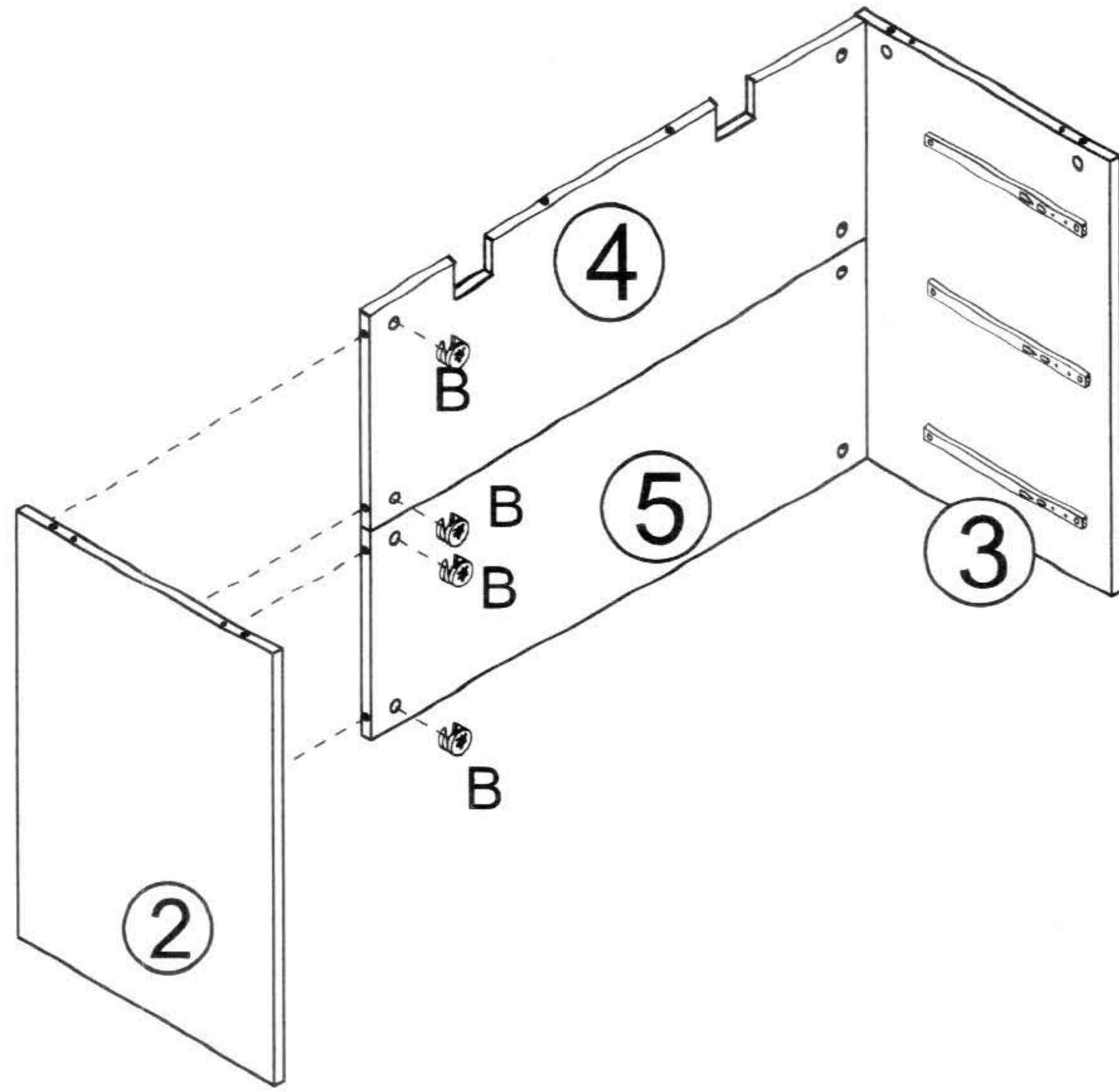


Bx4



Cx2

3

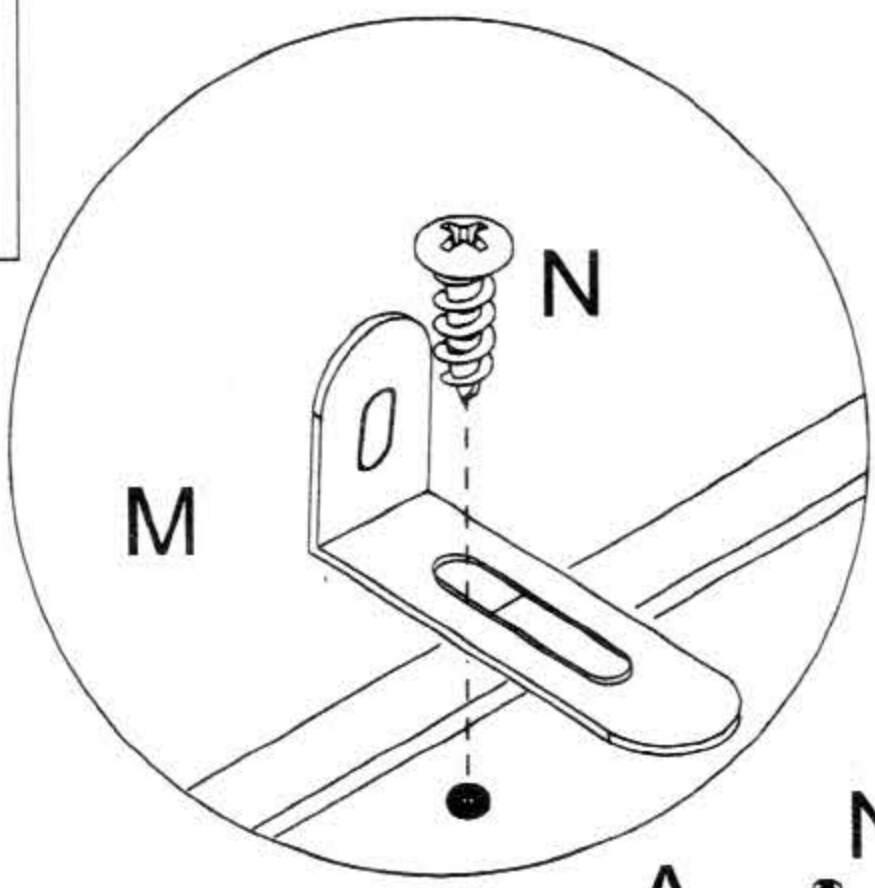


Step3: Fix part 2 to part 4/5 with hardware B

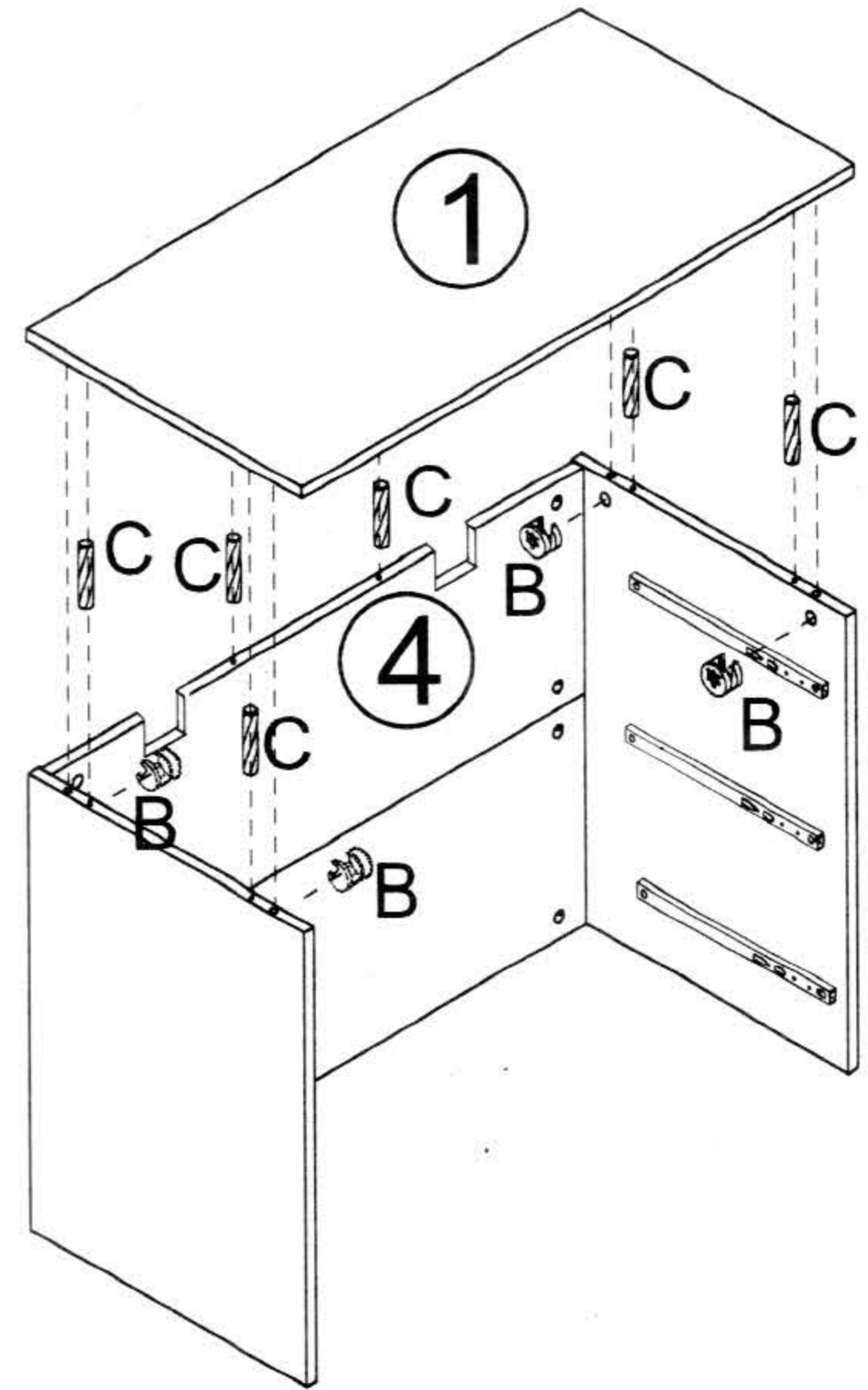
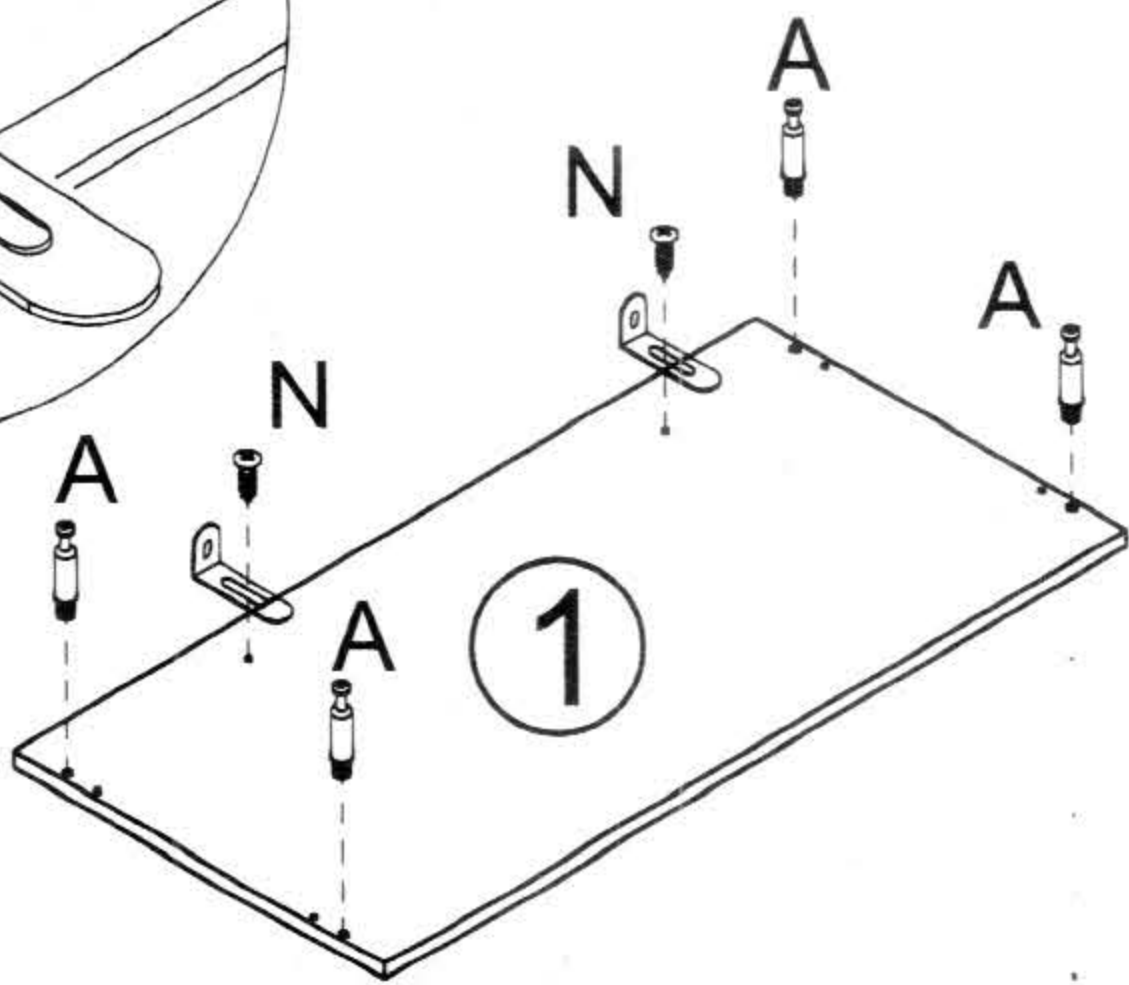


Bx4

4



Step4: Screw hardware A to the part 1.
Fix hardware M to the part 1 with hardware N.
Fix part 1 to the part 4 with hardware C.



Ax4



Bx4



Mx2

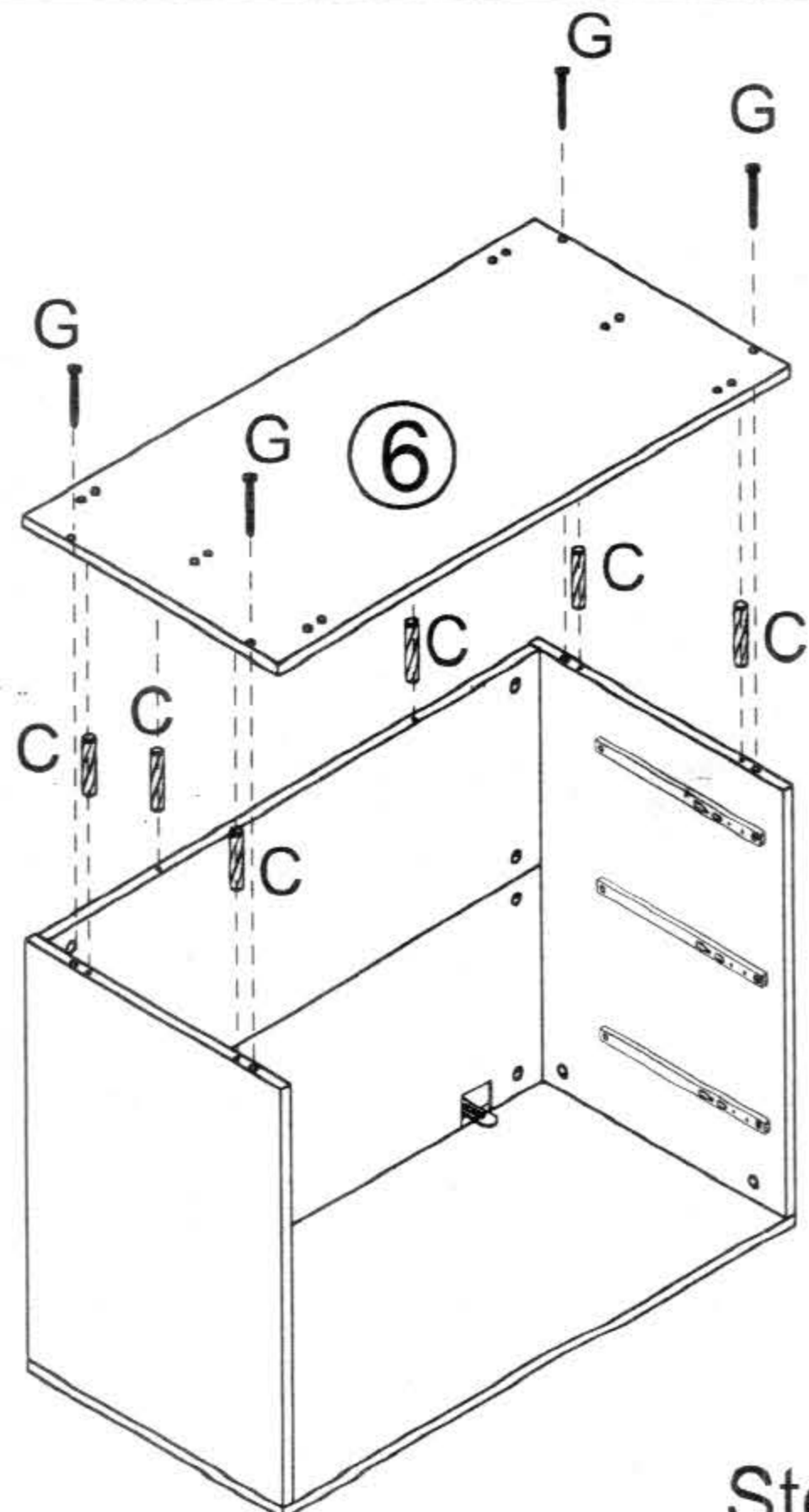


Cx6

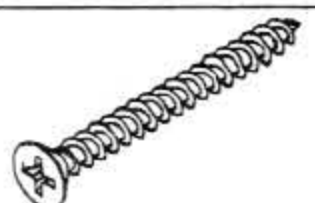


Nx2

5



Step5: Screw hardware G on the part 6.
Fix part 6 to the part 5 with hardware C.

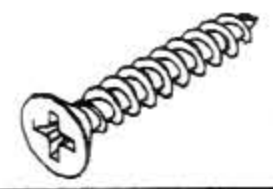
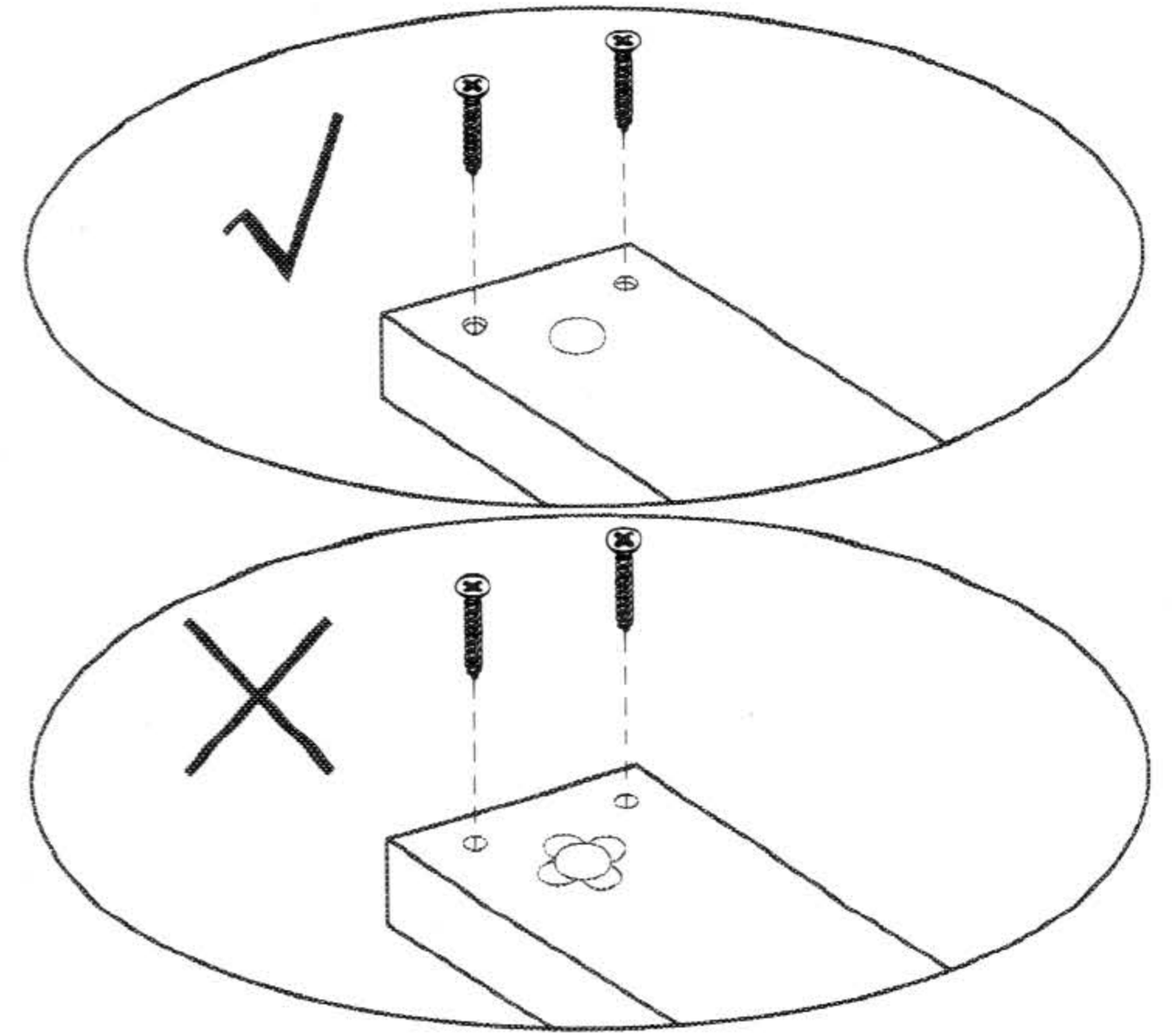
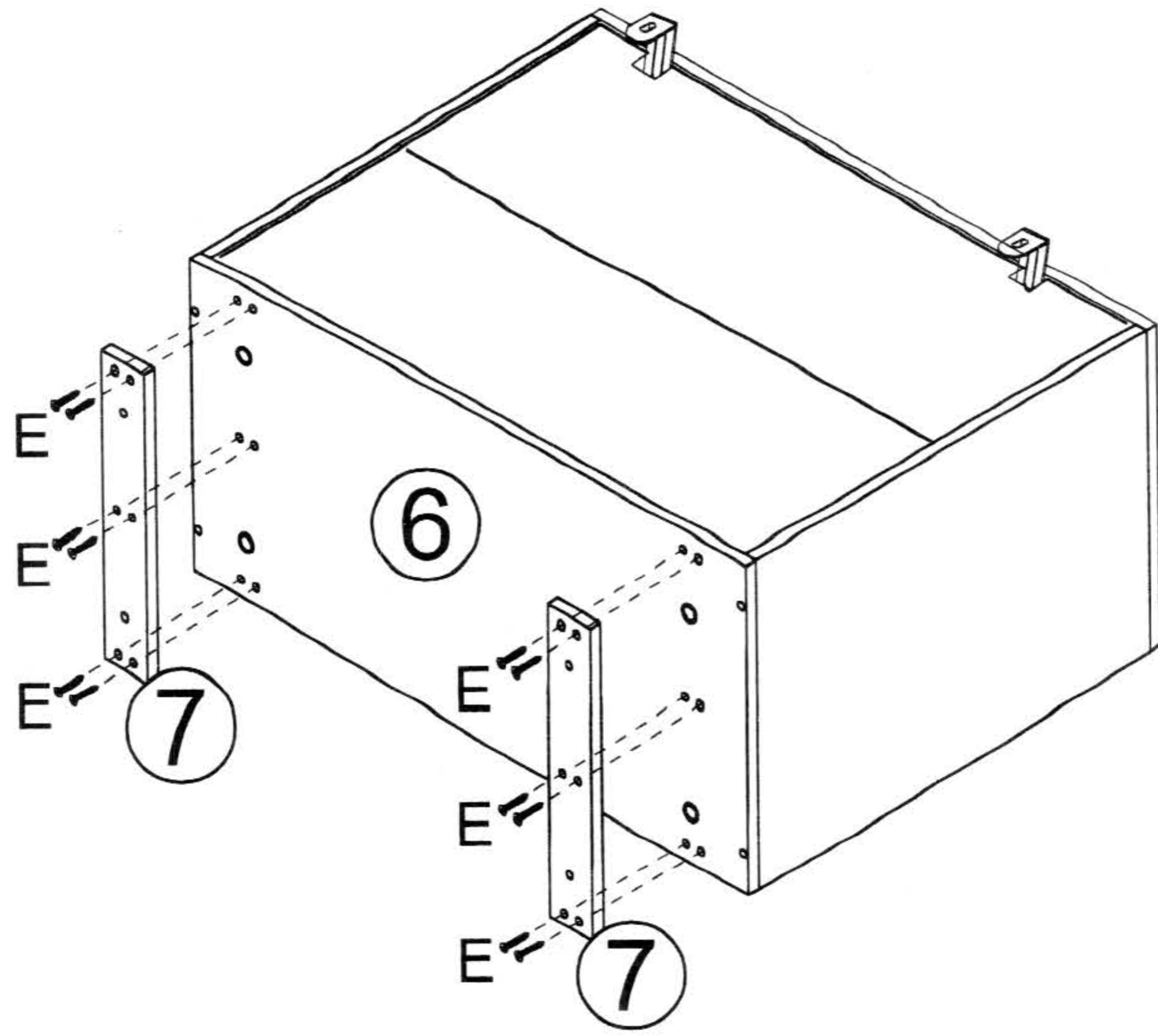


Gx4



Cx6

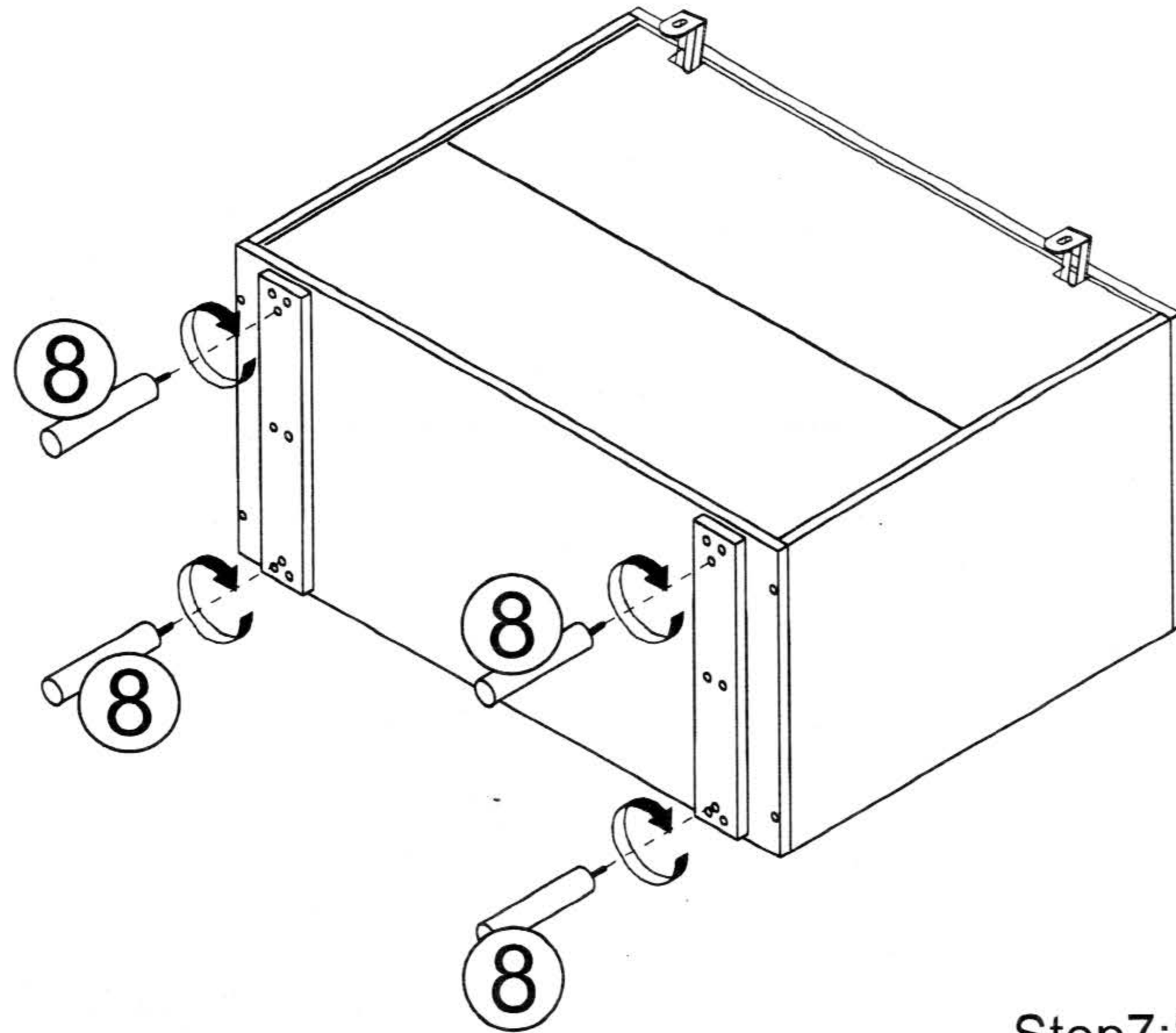
6



Ex12

Step6: Fix part 7 to the part 6 with hardware E.

7

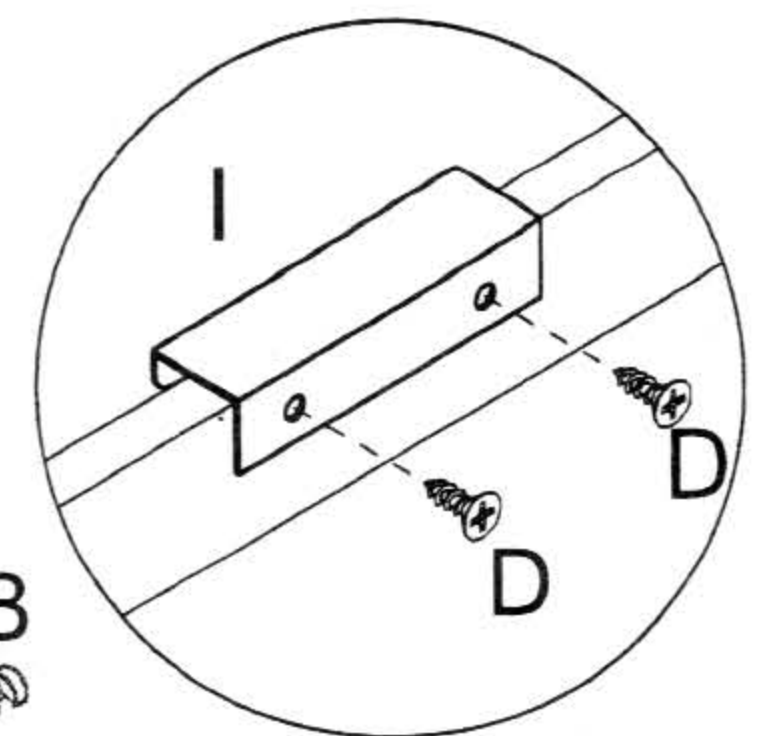
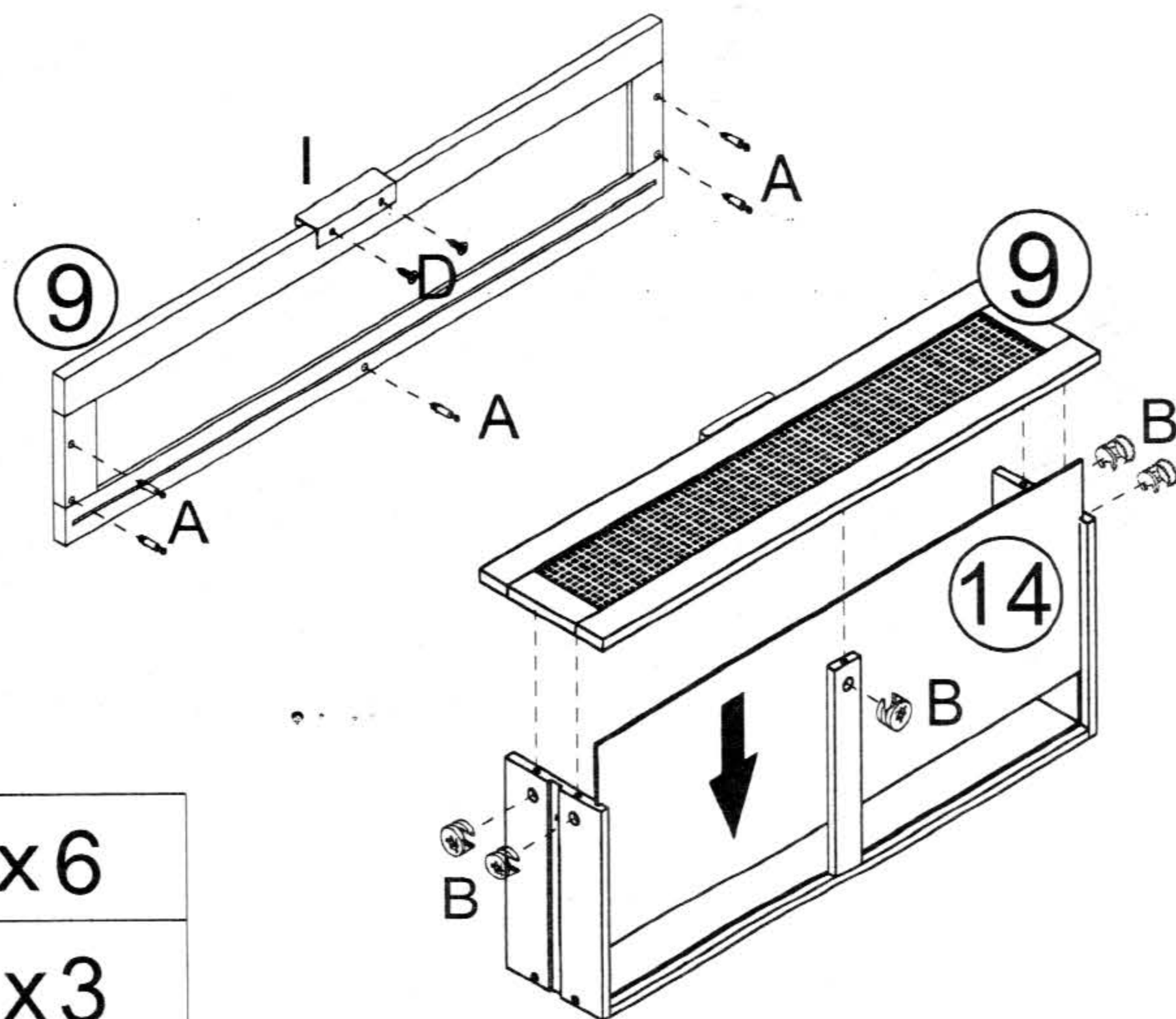
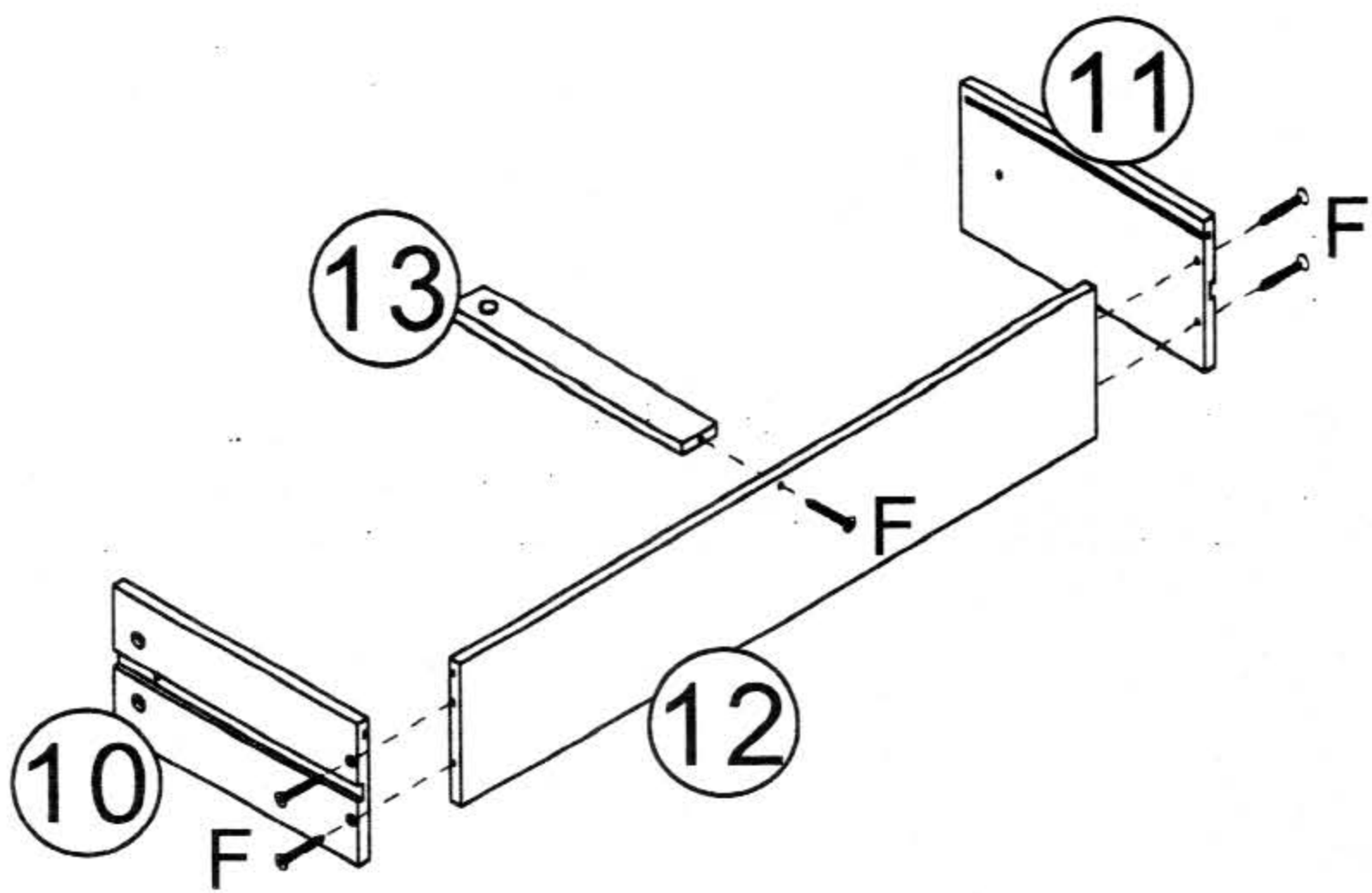





Step7: Screw part 8 to the part 7.


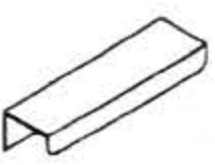
8

x3

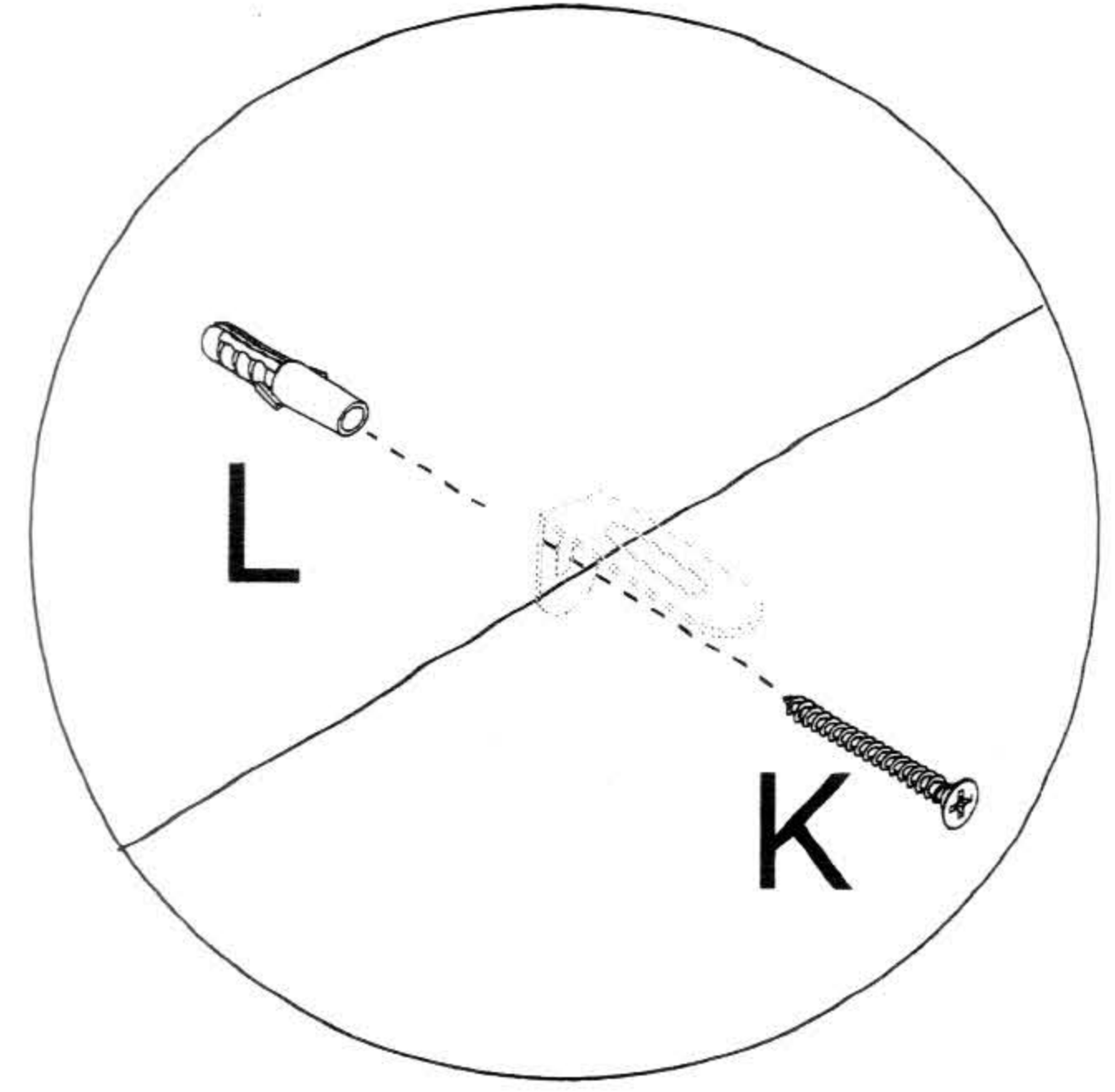
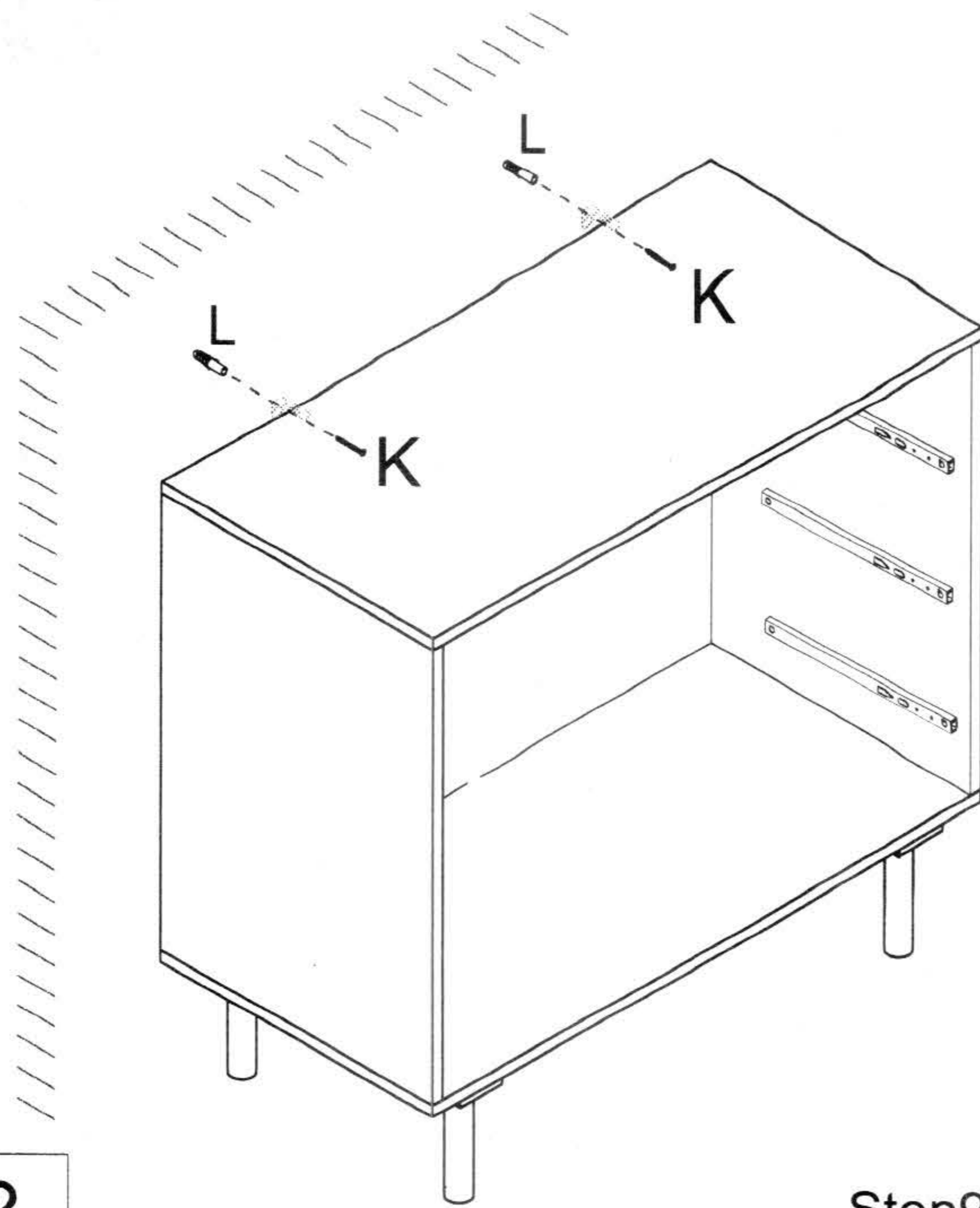
Step8: Fix part 10/11/13 to the part 12 with hardware F.
 Fix hardware I to the part 9 with hardware D.
 Screw hardware A to the part 9.
 Fix part 9 to the part 10/11/13 with hardware B.



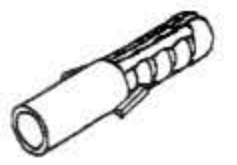
	Ax15
	Bx15
	Fx15

	Dx6
	Ix3

9



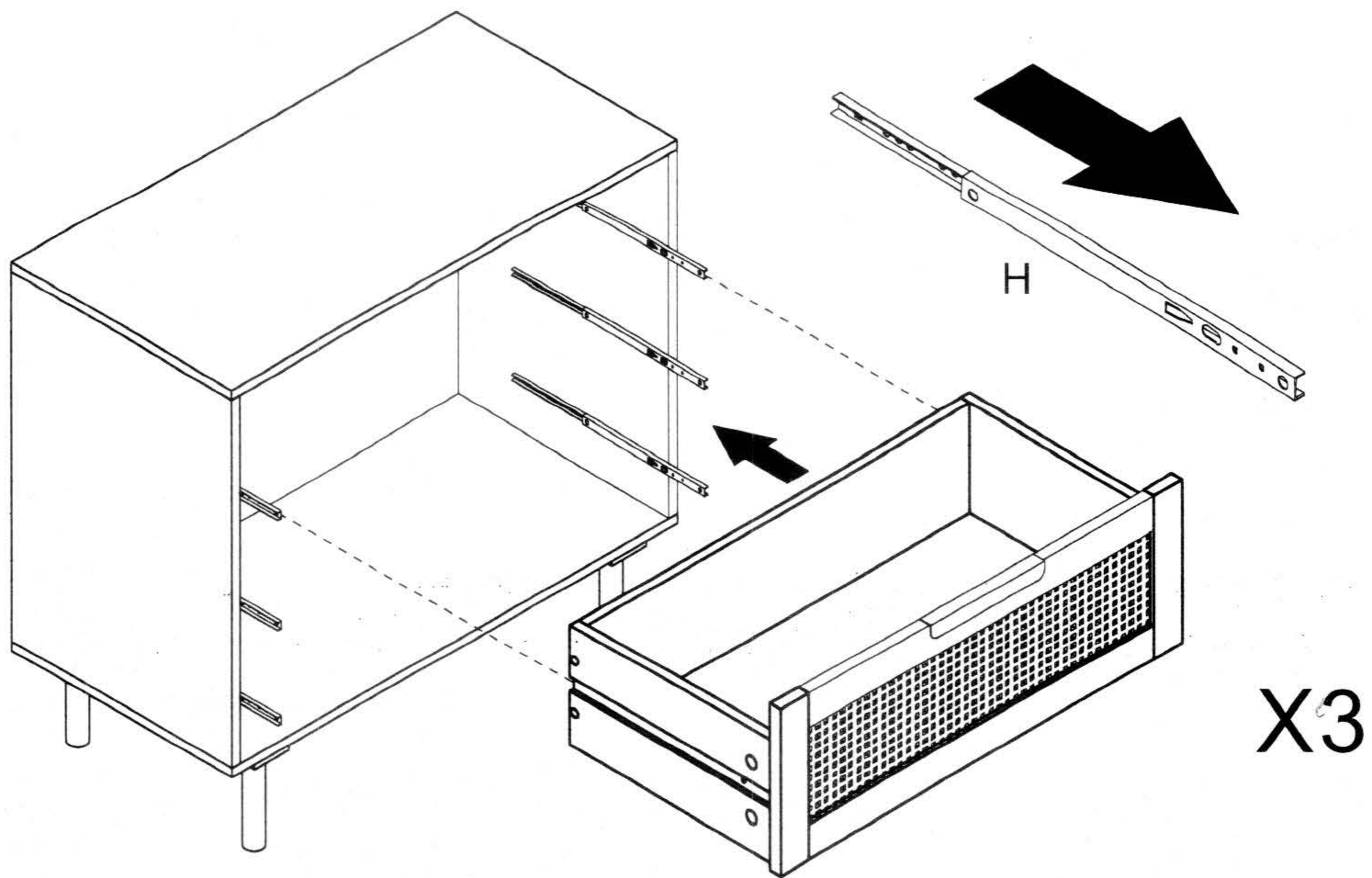
Kx2



Lx2

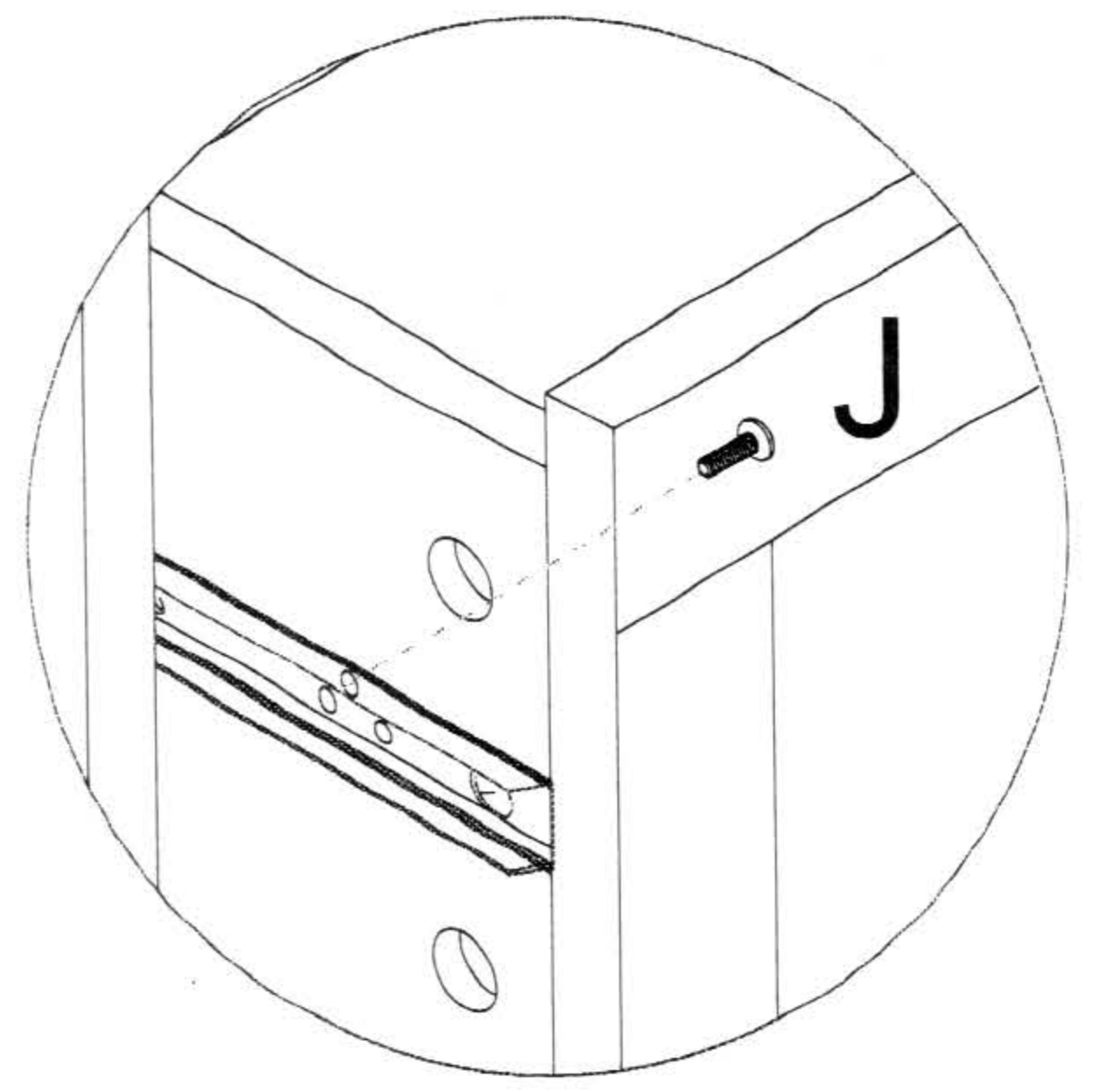
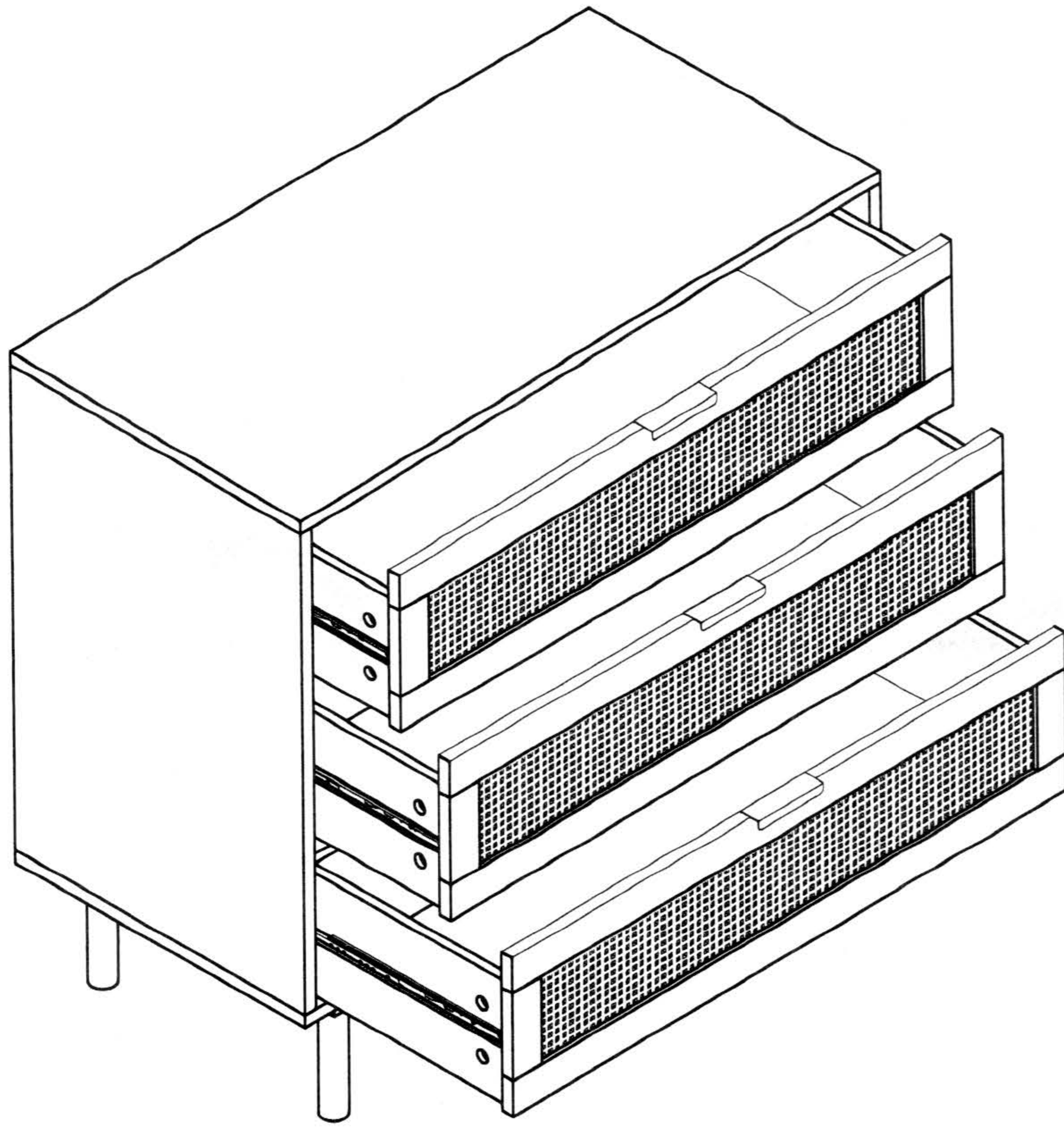
Step9:Put hardware L on the wall.
Screw hardware K to the hardware M.

10



Step10:Put the drawer to the cabinet.

11



Jx6

Step 11: Screw hardware J to part H

12

