



STINSON STORAGE NIGHTSTAND

Assembly instructions:

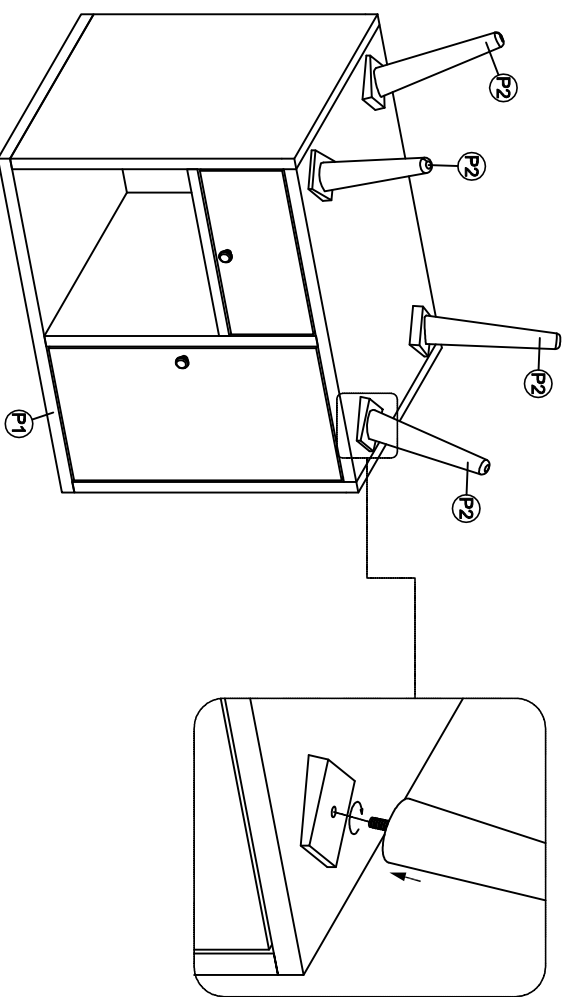
PARTS LIST

No.	DESCRIPTION	IMAGE	Q'TY
P1	BODY		1
P2	LEG		4

NOTE: PO # is located underneath/ at the back side of each item. Please be prepared to provide this # should any claim be necessary.

CAUTION: Item is heavy. Assembly should be performed by two people.

1



2

