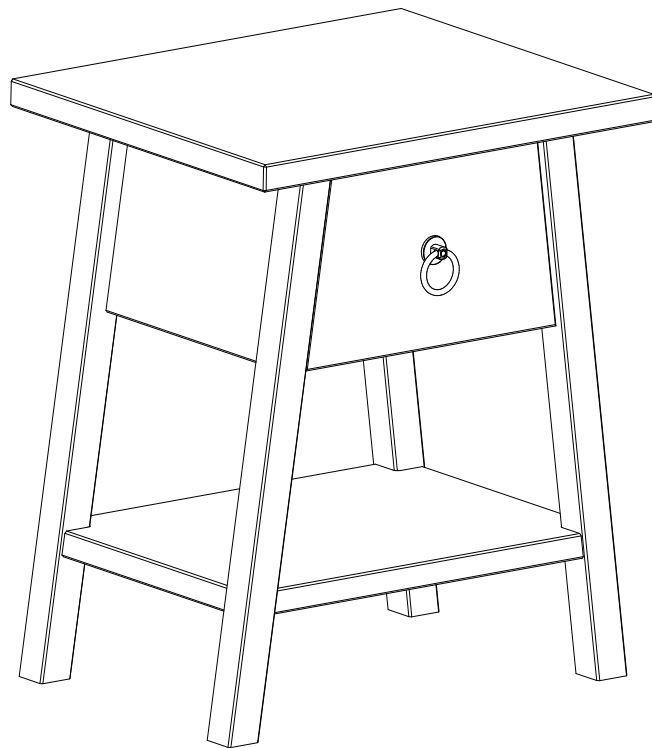


Item #: ATB20NS

Assembly Instruction

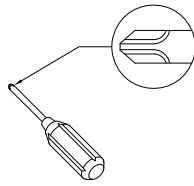


Please visit our website for the most current instructions, assembly tips, to report damage or request parts. www.walkeredison.com

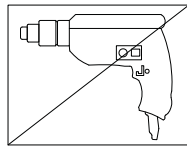
Revised 05/2022 V1

General Assembly Guidelines

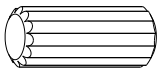
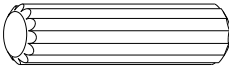




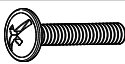

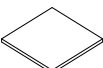



- I. Ensure that all parts and hardware are available before beginning assembly.
- II. Follow each step carefully to ensure the proper assembly of this product.
- III. Two people are recommended for ease in the assembly of this product.
- IV. The three main types of hardware used to assemble this product are : wood dowels , screws and bolts.
- V. A Phillips head screwdriver is required for the assembly of this product .

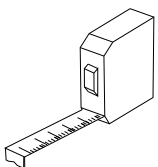


- VI. Power tools should not be used to assemble this product .

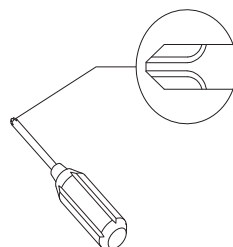
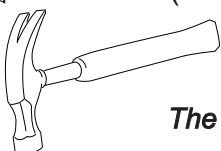


Hardware List

A		Ø 8*20 mm	Wood dowel	08 pcs
B		Ø 8*30 mm	Wood dowel	24 pcs
C		Ø 4*25mm	Screw	06 pcs
D		Ø 3,5*30mm	Screw	10 pcs
E		Ø 3,5*30mm	Screw	04 pcs
F		Ø 3,5*35mm	Screw	17 pcs
G		Ø M4x16 mm	Screw	01 pc
H			Handles	01 pcs
I		20x20 mm	Felt	04 pcs
J			Wall anchor	01 pc
K			Washer	02 pcs
L			Ø 6 mm	01 pc



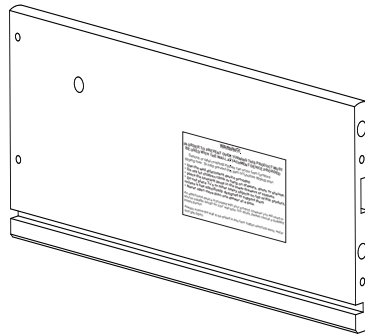
Tape measure and hammer recommended for assembly (not included)



Philips head screwdriver required for assembly (not included)

*The hardware quantities listed above are required for proper assembly.
Some extra hardware may also have been included.*

Parts List



WARNING!

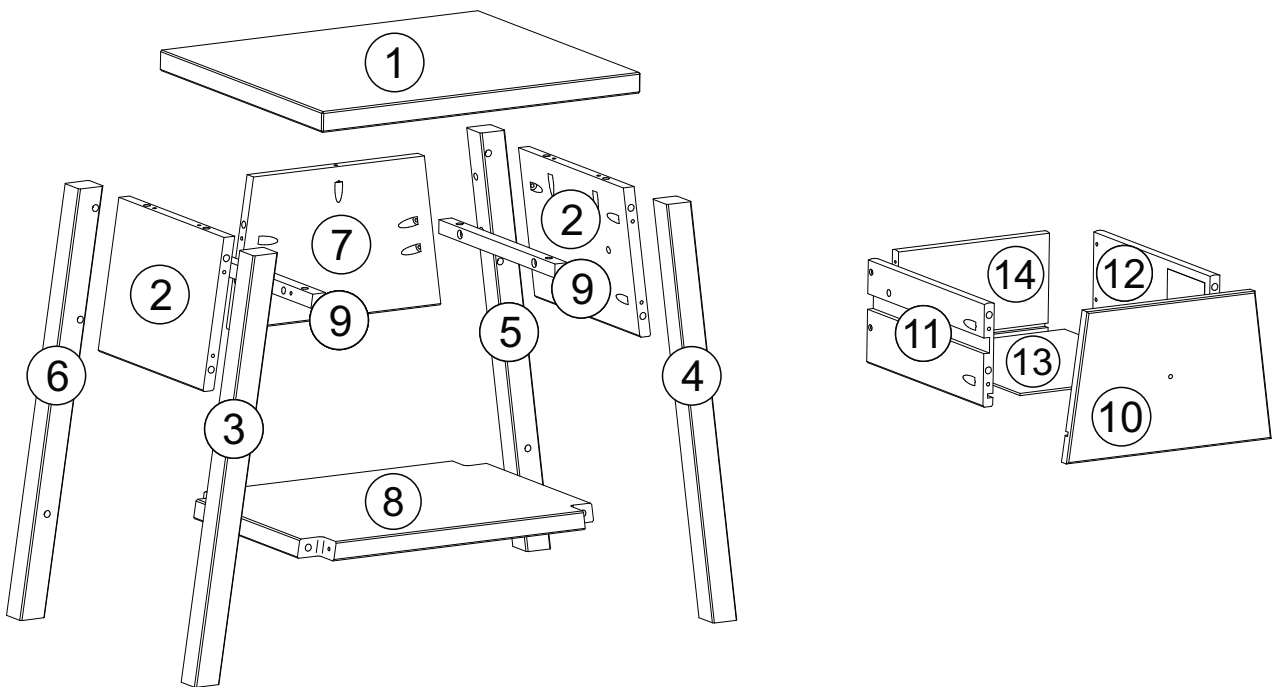
IN ORDER TO PREVENT OVER TURNING THIS PRODUCT MUST BE USED WITH THE WALL ATTACHMENT DEVICE PROVIDED

Serious or fatal crushing injuries can occur from furniture tipping over. To help prevent this item of furniture tipping over:

- * Use the wall attachment device provided.
- * Do not let children climb or hang on drawers, doors or shelves.
- * Place the heaviest items in the lower drawers or shelves.
- * Do not place TV's or other heavy objects on top of this product, unless it has specifically designed to support them
- * Never open more than one drawer at a time.

An attachment device is provided with your product, however you will need to source suitable fixings for your wall type. If in doubt, please consult a qualified trades person

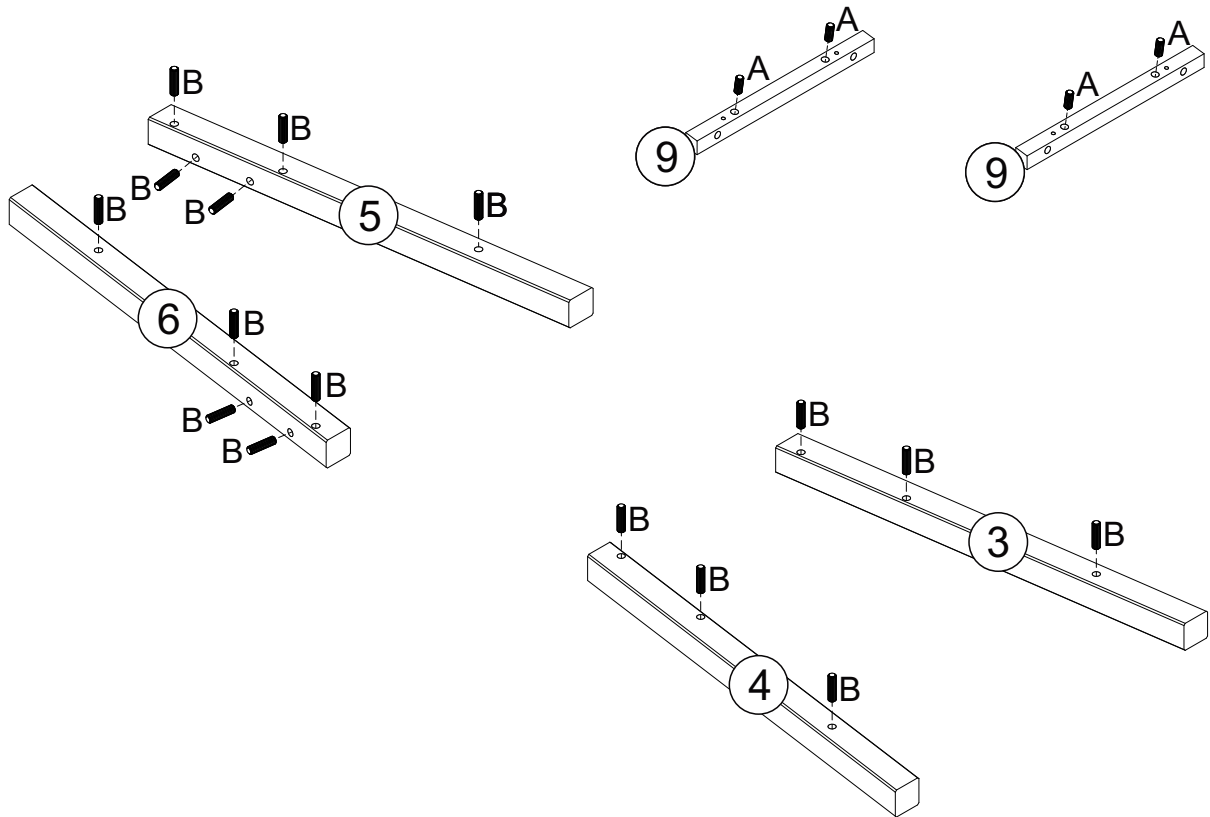
Always ensure the wall to be drilled is free from hidden electrical wires, water and gas pipes.



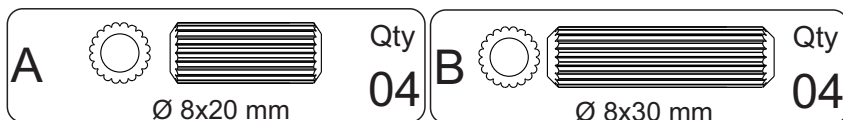
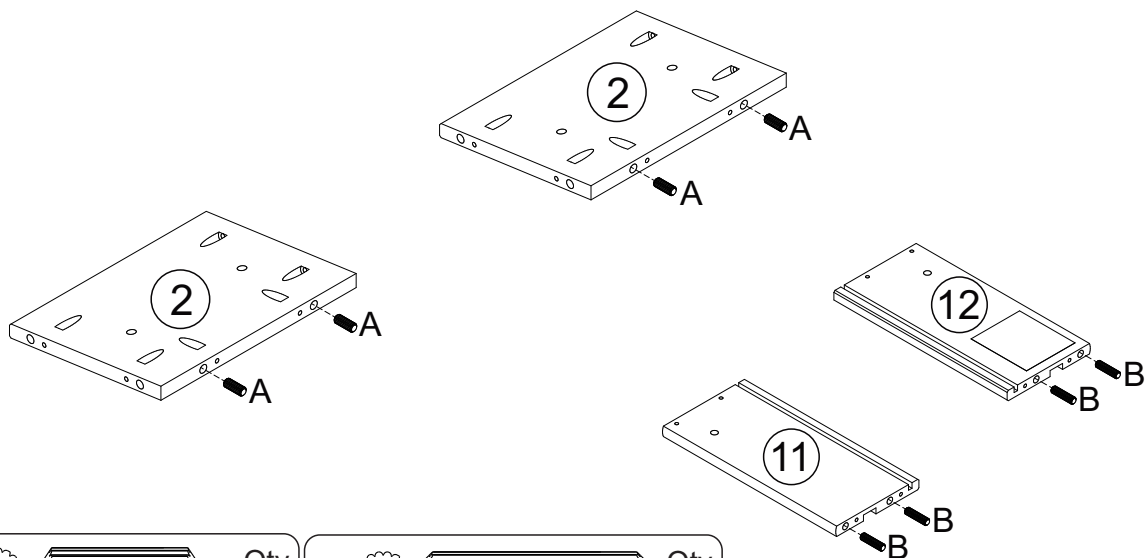
Part#	Description	Qty
1	Top panel	01 pcs
2	Side panel	02 pcs
3	Left front foot	01 pcs
4	Right front foot	01 pcs
5	Right back foot	01 pcs
6	Left back foot	01 pcs
7	Back panel	01 pcs

Part#	Description	Qty
8	Shelf	01 pcs
9	Drawer slide	02 pcs
10	Drawer front	01 pcs
11	Left drawer side	01 pcs
12	Right drawer side	01 pcs
13	Drawer bottom	01 pcs
14	Drawer coast	01 pcs

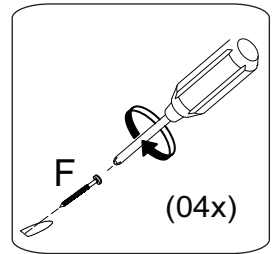
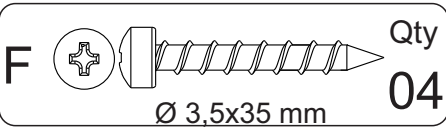
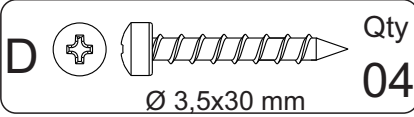
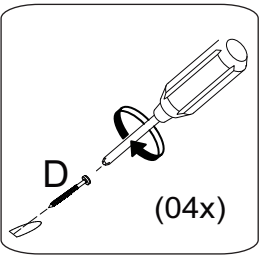
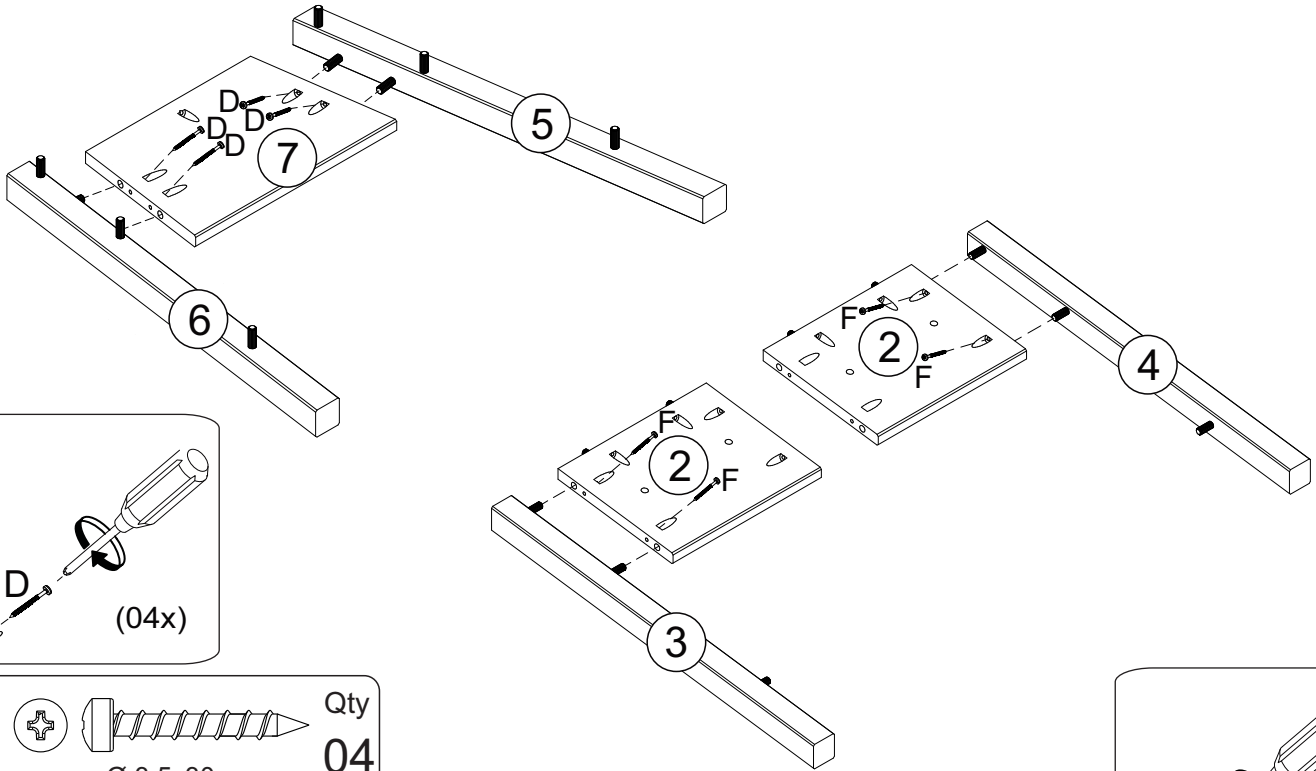
Step 1 Insert wood dowel (A) into part (9).
 Insert wood dowel (B) into part (3), (4), (5) and (6).



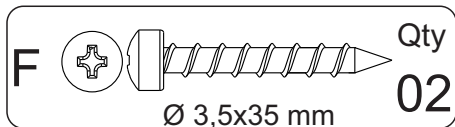
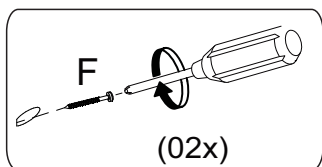
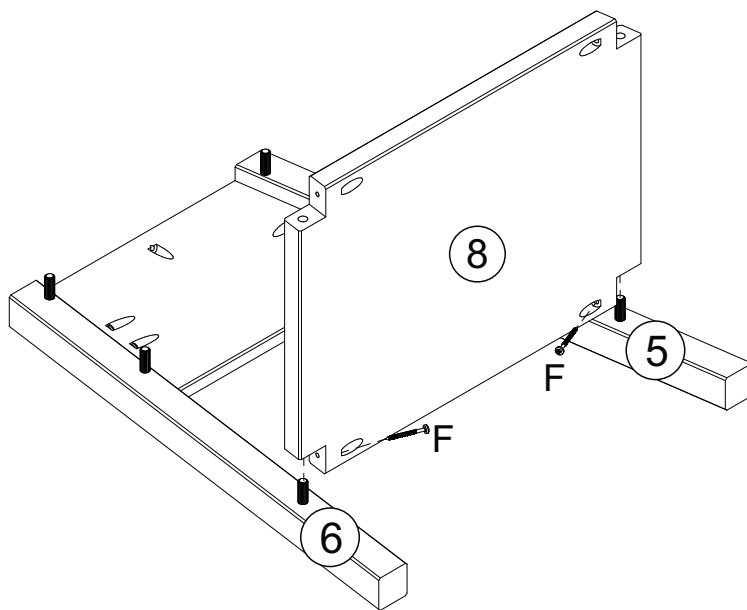
Step 2 Insert wood dowel (A) into part (02).
 Insert wood dowel (B) into part (11) and (12).



Step 3 Use screw (D) to secure part (7) to parts (5) and (6).
Use screw (F) to attach parts (2) to parts (3) and (4).

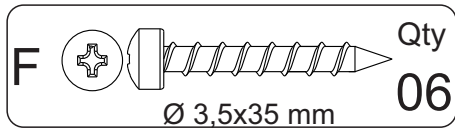
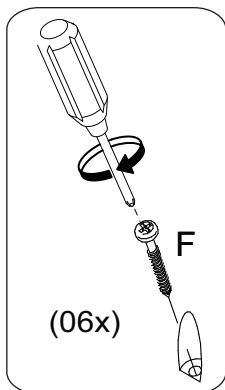
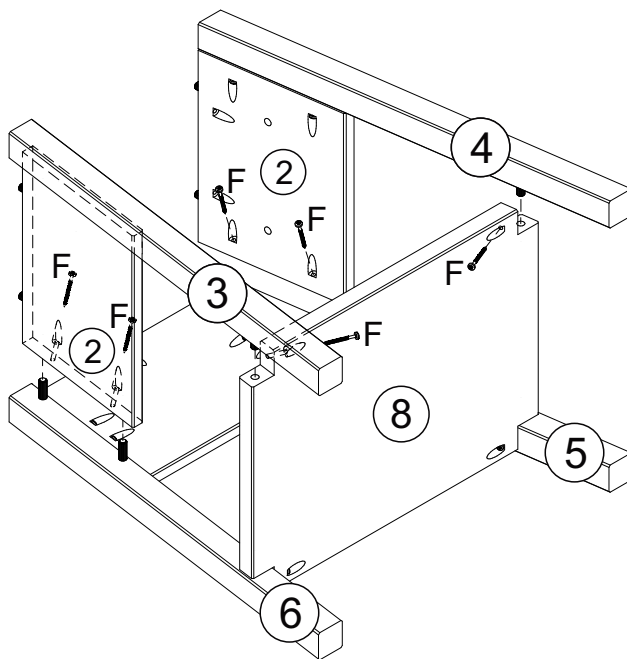


Step 4 Use screw (F) to attach part (8) to parts (5) and (6).



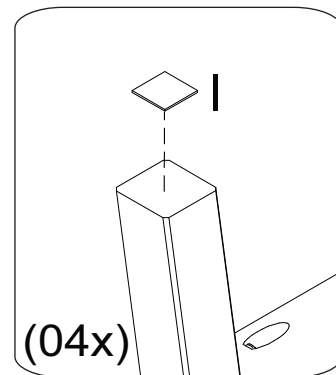
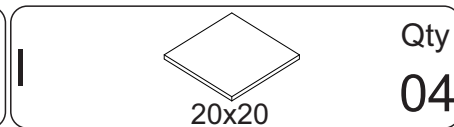
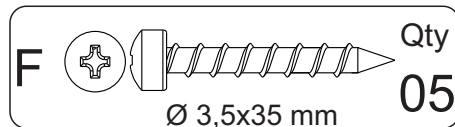
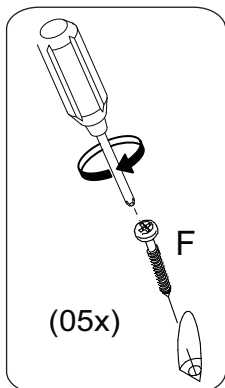
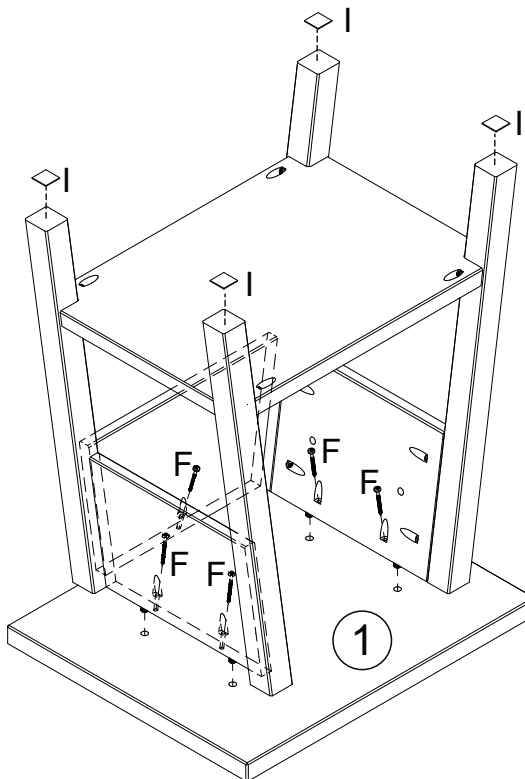
Step 5

Use screw (F) to secure parts (2), (3) and (4) to parts (5),(6) and (8).



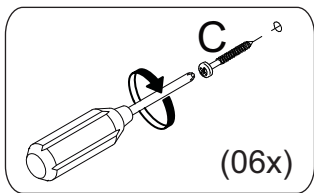
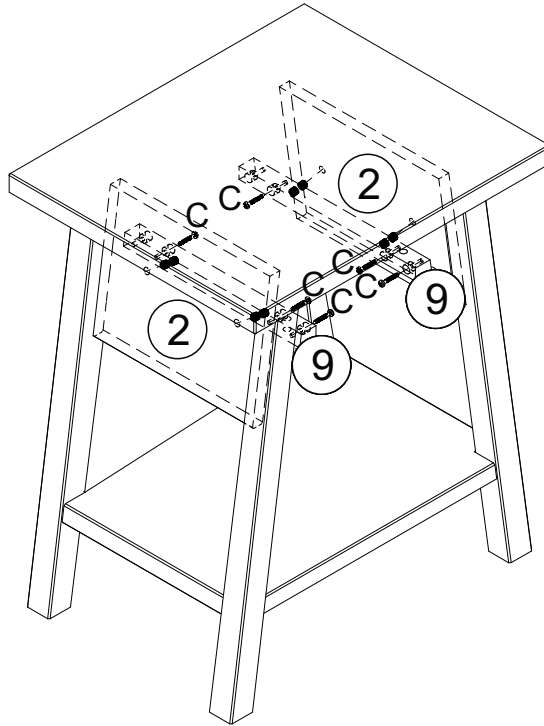
Step 6

Use the screw (F) to secure the assembled parts to the part (1).
Insert felt (I) into part (3), (4), (5) and (6).

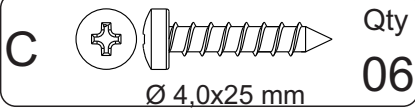


Step 7

Attach slides (9) to parts (2) as shown using screw (C).

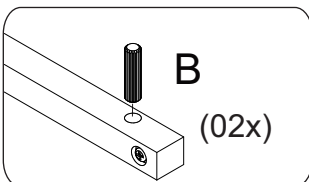
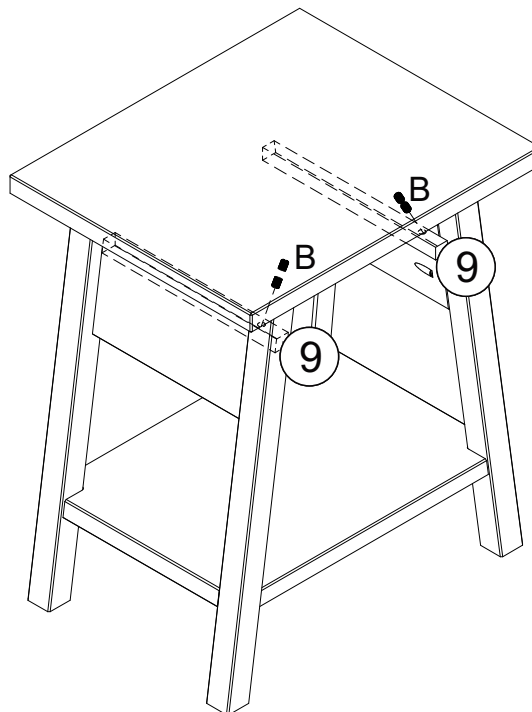


(06x)

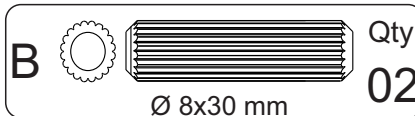


Step 8

Insert the wooden dowel (B) into the drawer slides (9).
To be the stop of the drawer.

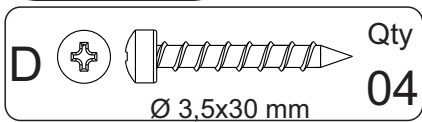
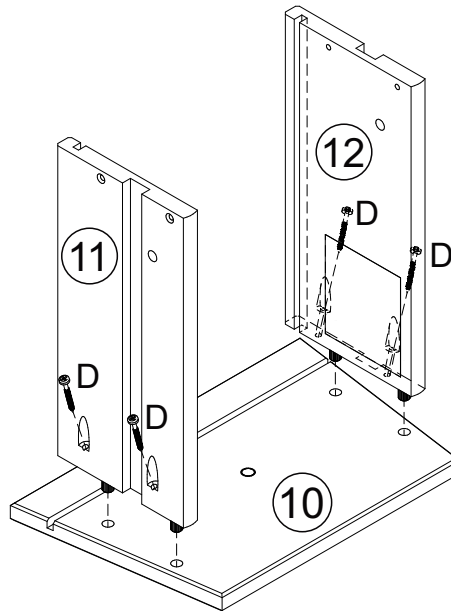
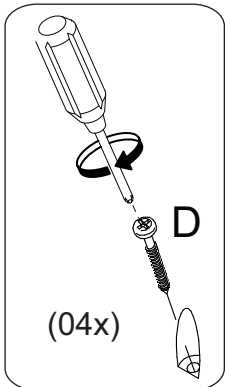


(02x)



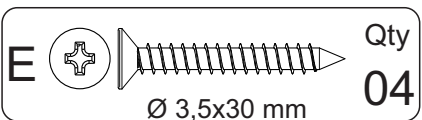
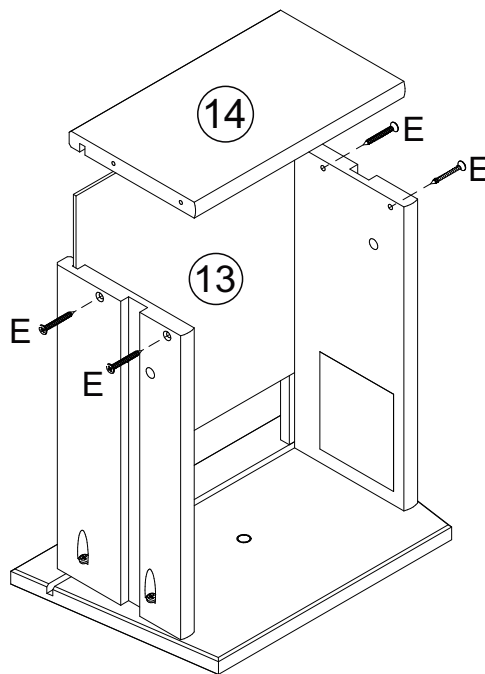
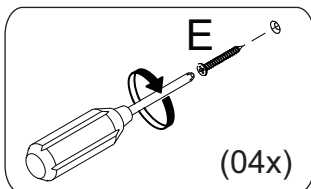
Step 9

Secure parts (11) and (12) to part (10) using screw (D).



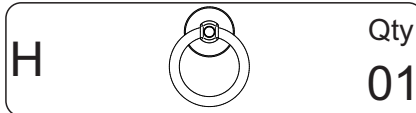
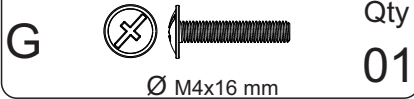
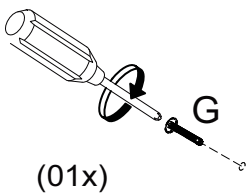
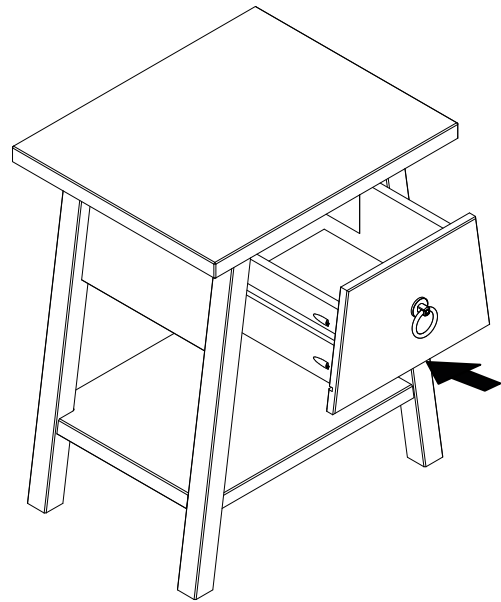
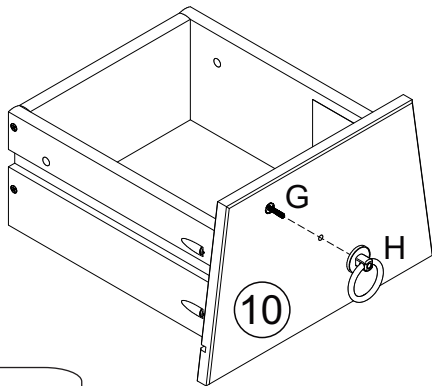
Step 10

Insert panel (13) into grooves and secure part (14) with screws (E).



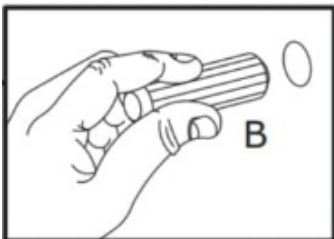
Step 11

Insert the handle (H) into the part (10), with the screw (G).
Insert the drawer into the furniture.

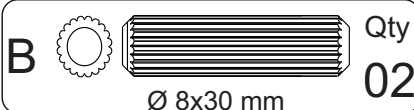
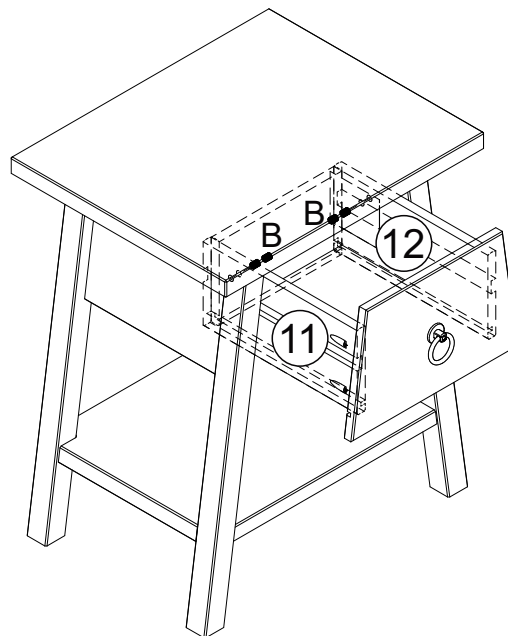


Step 12

Insert the wooden dowel (B) inside the drawer, while the drawer is inside the unit.



Make sure dowel is flush with panel. Insert wood dowel (B) on the inside of all drawers while drawer is inside the unit.



Step 13

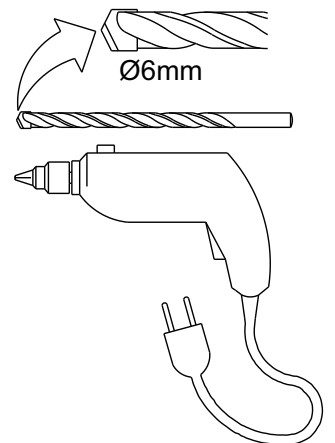
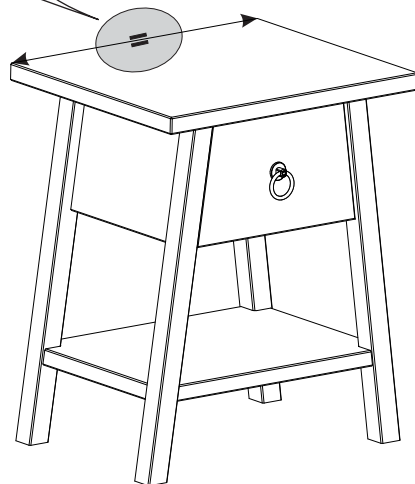
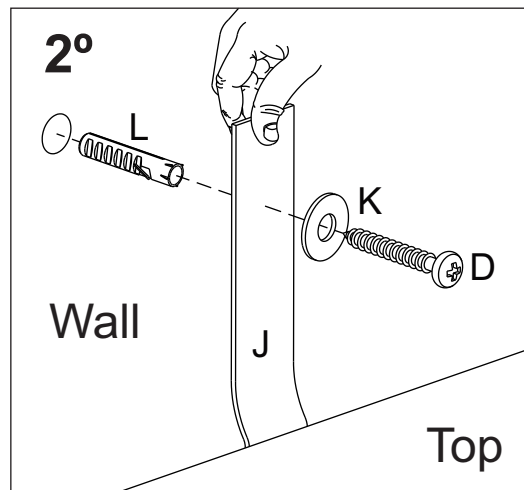
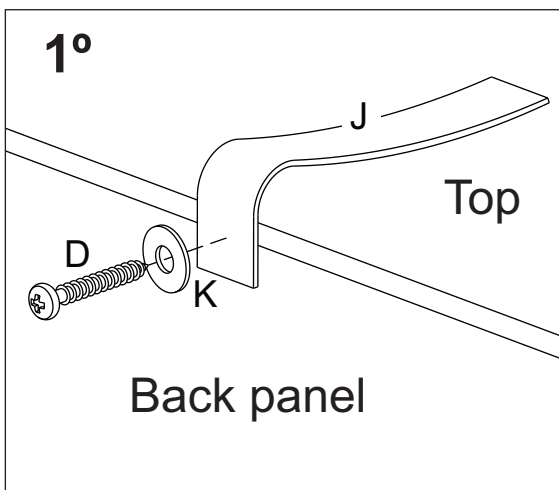
WARNING

Serious or fatal injuries can occur from furniture tipping over. To prevent the furniture from tipping over we recommend that it is permanently fixed to the wall.






Wall anchor and hardware are included with this product. Please make sure hardware is suitable for your walls before installing, as different wall materials may require different types of anchors.

Attach screw (D) into washer (K), securing wall anchor (J), in the frame of superior panel unit.

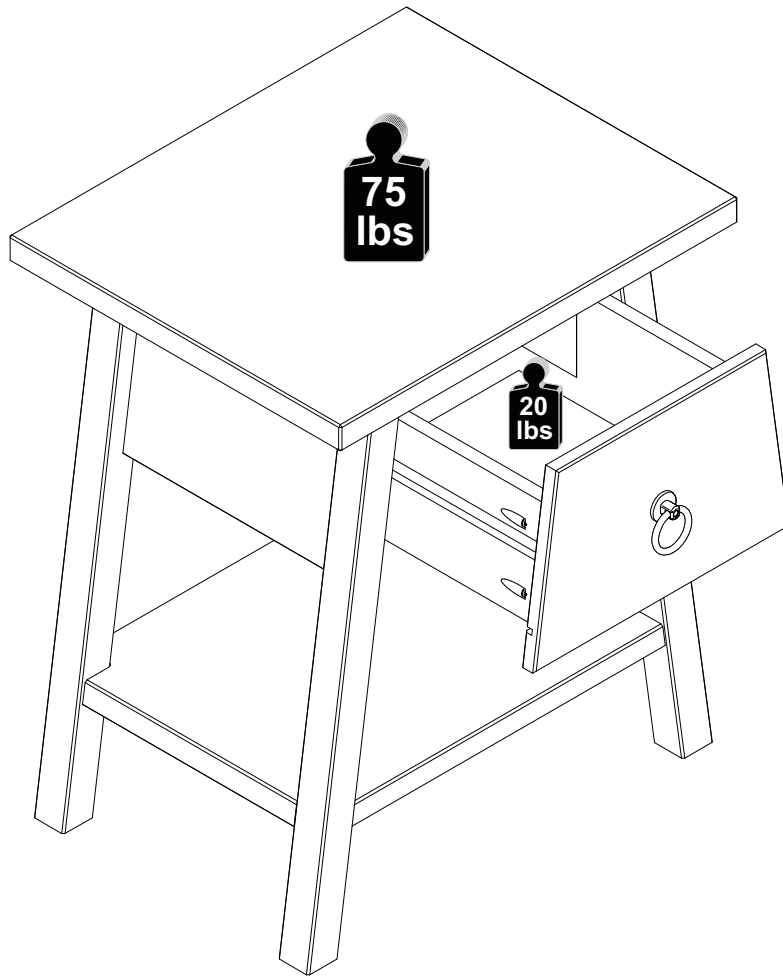
Drill your wall with a 6mm drill (not included) and insert hardware (J), securing wall anchor (L) with washer (K) and screw (D) in the wall.



Name and address information for the manufacturer responsible for the anti-tip hardware and date of production can be found on the label on the back of the furniture.

D		 Ø 3,5x30 mm	02
J			01
K			02
L			01

Step 14



Assembly Complete!