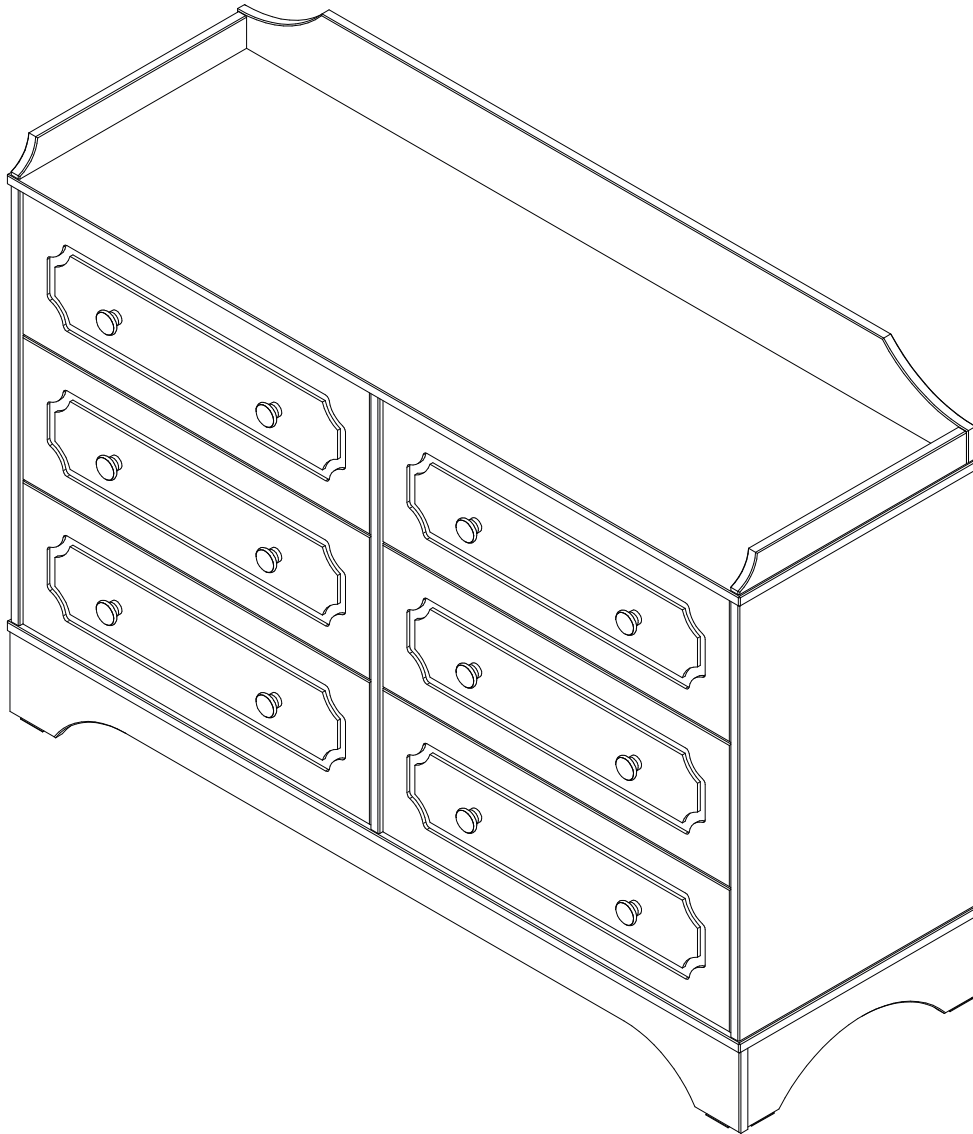


Item #: BR52DAP6D

Assembly Instruction

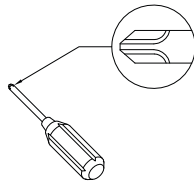


Please visit our website for the most current instructions, assembly tips, to report damage or request parts. www.walkeredison.com

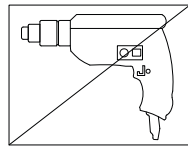
Revised 04/2022

General Assembly Guidelines

- I. Ensure that all parts and hardware are available before beginning assembly.
- II. Follow each step carefully to ensure the proper assembly of this product.
- III. Two people are recommended for ease in the assembly of this product.
- IV. The three main types of hardware used to assemble this product are : wood dowels , screws and bolts.
- V. A Phillips head screwdriver is required for the assembly of this product .



- VI. Power tools should not be used to assemble this product .



Maintenance Guide

To maintain long term performance and easy gliding of your solid wood drawers, we recommend applying wax to the wooden guide rails.

1. Bee's wax is recommended or Paraffin wax from a standard candle can be used.
2. Apply the wax by rubbing it on the wooden guide rails where there is wood-on-wood contact when opening and closing the drawer. (Wax should be room temperature, do not melt the wax onto the wood).
3. Wax should be applied every few months for the first year and then only when needed after that to keep the drawers sliding smoothly.

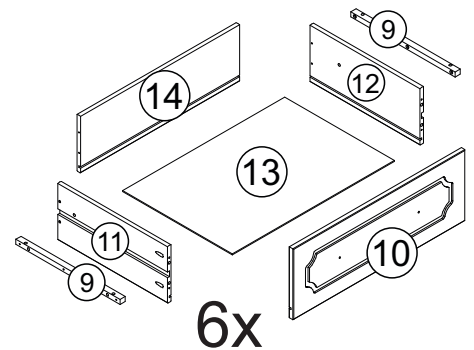
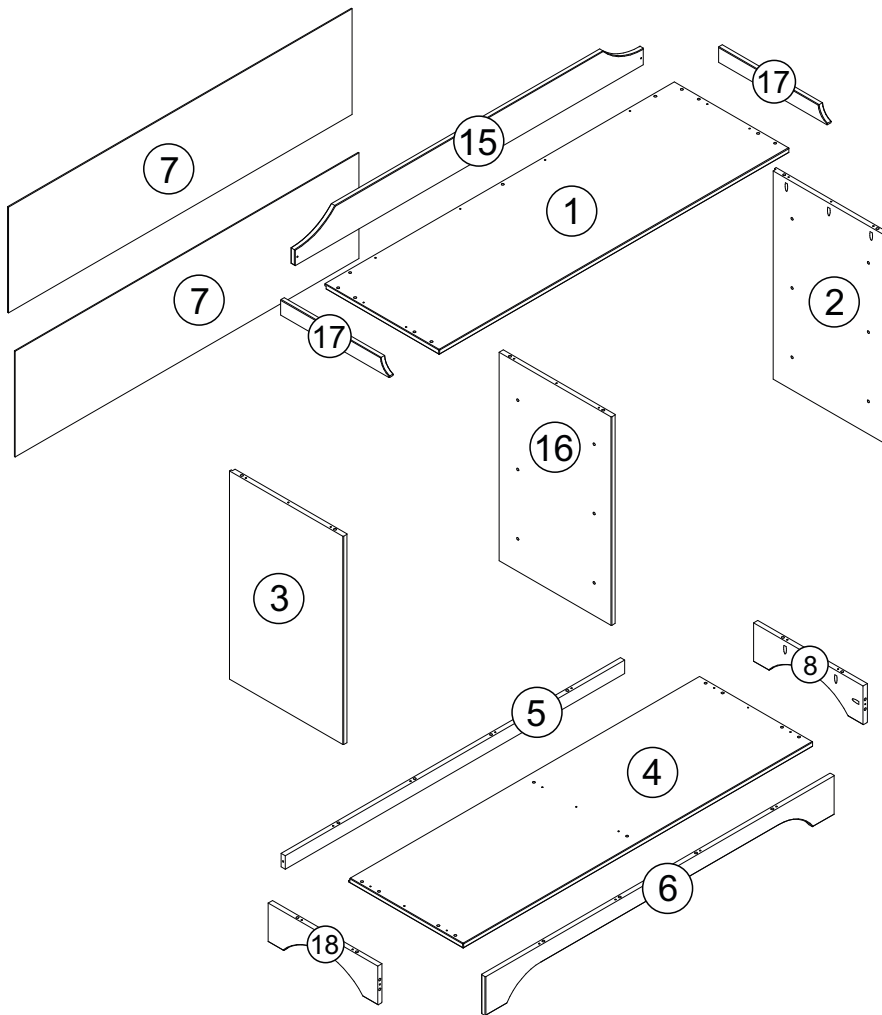
Parts List



WARNING!
IN ORDER TO PREVENT OVER TURNING THIS PRODUCT MUST BE USED WITH THE WALL ATTACHMENT DEVICE PROVIDED.
 Serious or fatal crushing injuries can occur from furniture tipping over. To help prevent this item of furniture tipping over:
 * Use the wall attachment device provided.
 * Do not let children climb or hang on drawers, doors or shelves.
 * Place the heaviest items in the lower drawers or shelves.
 * Do not place TV's or other heavy objects on top of this product, unless it has specifically designed to support them.
 * Never open more than one drawer at a time.
 An attachment device is provided with your product, however you will need to source suitable fixings for your wall type. If in doubt, please consult a qualified trades person.
 Always ensure the wall to be drilled is free from hidden electrical wires, water and gas pipes.

WARNING
Children have died from Furniture tipover. To reduce the risk of furniture tipover:
 * ALWAYS install tipover restraint provided.
 * NEVER put a TV on this product.
 * NEVER allow children to stand, climb or hang on drawers, doors, or shelves.
 * NEVER open more than one drawer at a time.
 * Place heaviest items in the lowest drawers.
 This is a permanent label. Do not remove!

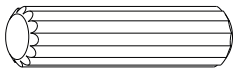
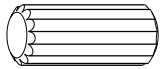



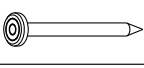

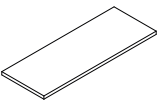

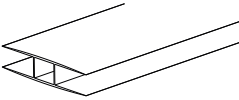
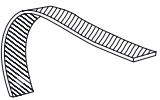
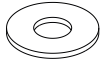

The side drawer with WARNING LABEL, should be mounted in highest drawer.

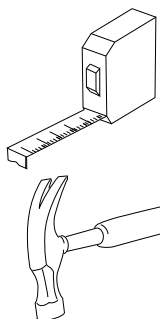


Part#	Description	Qty
1	Top panel	01 pcs
2	Right side panel	01 pcs
3	Left side panel	01 pcs
4	Base	01 pcs
5	Bottom back crossbeam	01 pcs
6	Front bottom crossbeam	01 pcs
7	Back panel	02 pcs
8	Right bottom crossbeam	01 pcs
9	Small drawer runner	12 pcs

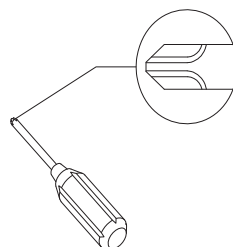
Part#	Description	Qty
10	Drawer front	06 pcs
11	Drawer left side	06 pcs
12	Drawer right side	06 pcs
13	Drawer bottom	06 pcs
14	Drawer back	06 pcs
15	Top rail	01 pcs
16	Division	01 pcs
17	Small top rail	02 pcs
18	Left bottom crossbeam	01 pcs

Hardware List

A		Ø8*30mm	Wooden dowel	83 pcs
B		Ø8*20mm	Wooden dowel	24 pcs
C		Ø4*25mm	Screw	36 pcs
D		Ø3,5*30mm	Screw	75 pcs
E		Ø3,5*30mm	Screw	12 pcs
F		Ø10*7	Nail	22 pcs
G		Ø3,5*35mm	Screw	19 pcs
H		Ø40*15mm	Felt	06 pcs
I			Knob	12 pcs
J		1276mm	"H" Profile	01 pc
K			Wall anchor	01 pc
L			Washer	02 pcs
M			Ø6mm	01 pc



Tape measure and hammer recommended for assembly (not included)

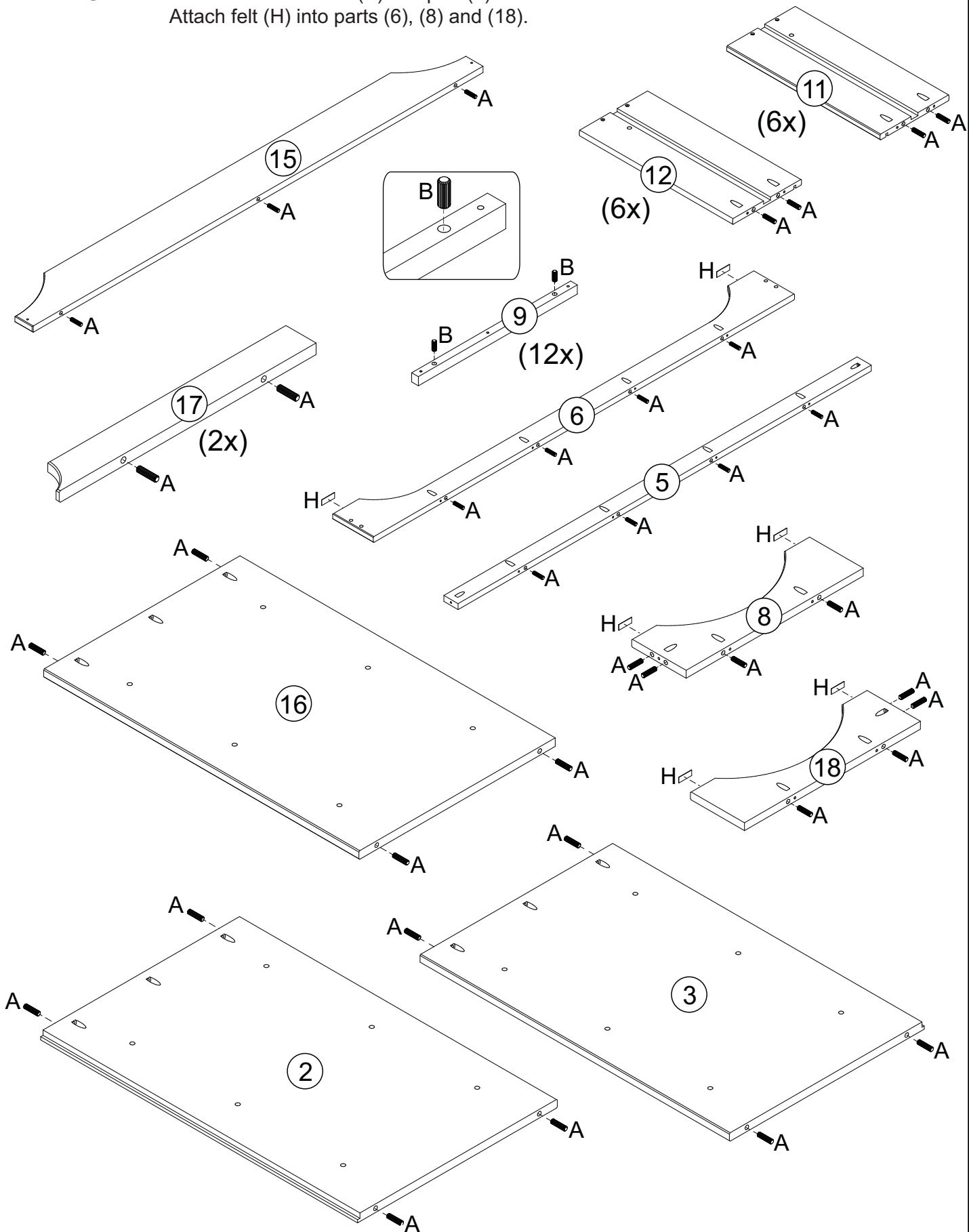



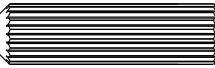
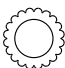
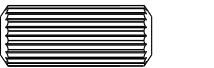

Philips head screwdriver required for assembly (not included)

The hardware quantities listed above are required for proper assembly. Some extra hardware may also have been included.

Step 1

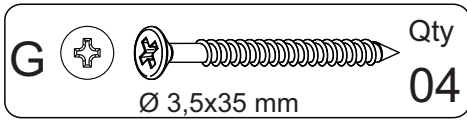
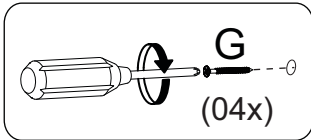
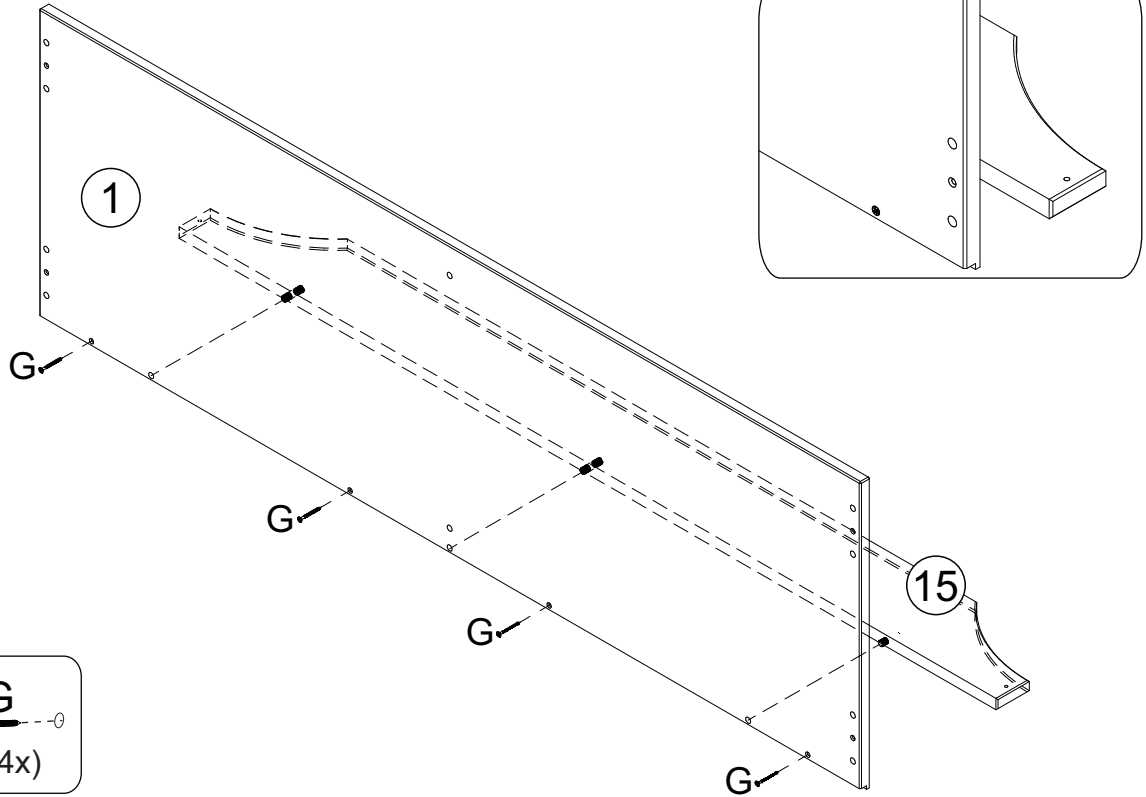
Insert wooden dowel (A) into parts (2), (3), (5), (6), (8), (11), (12), (15), (16), (17) and (18).
 Insert wooden dowel (B) into part (9).
 Attach felt (H) into parts (6), (8) and (18).



A 		Qty 59	B 		Qty 24	H 	Qty 06
Ø 8,0x30 mm		Ø 8,0x20 mm					

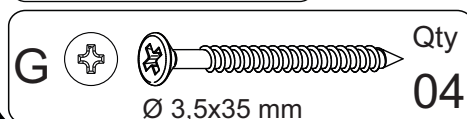
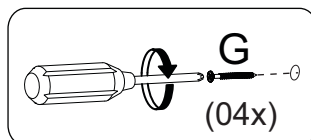
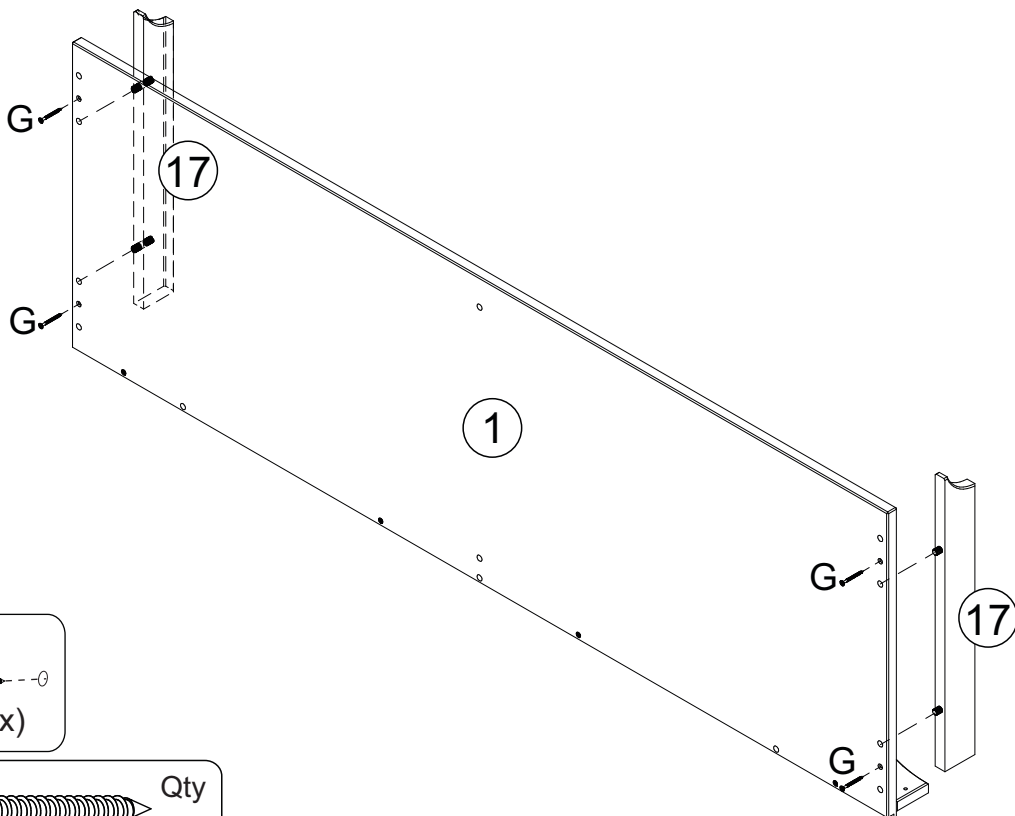
Step 2

Attach part (1) in the part (15) as shown using screw (G) and screwdriver (not included).



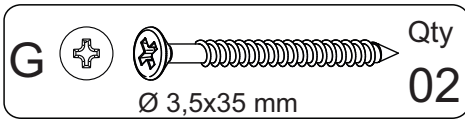
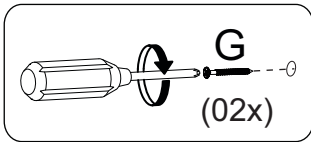
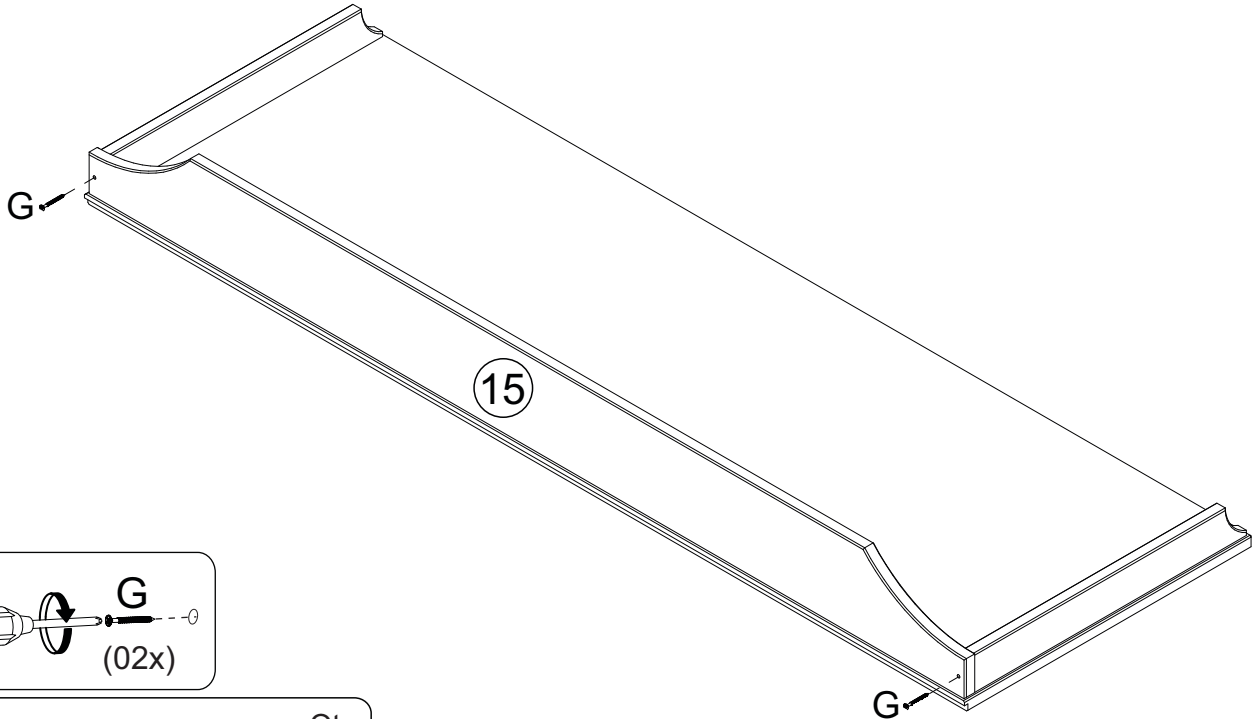
Step 3

Secure parts (17) to part (1) with screw (G) and screwdriver (not included).



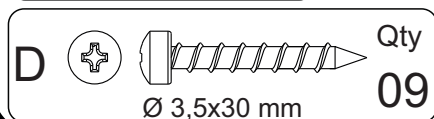
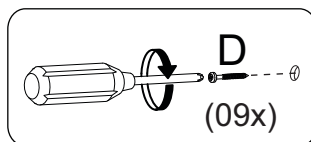
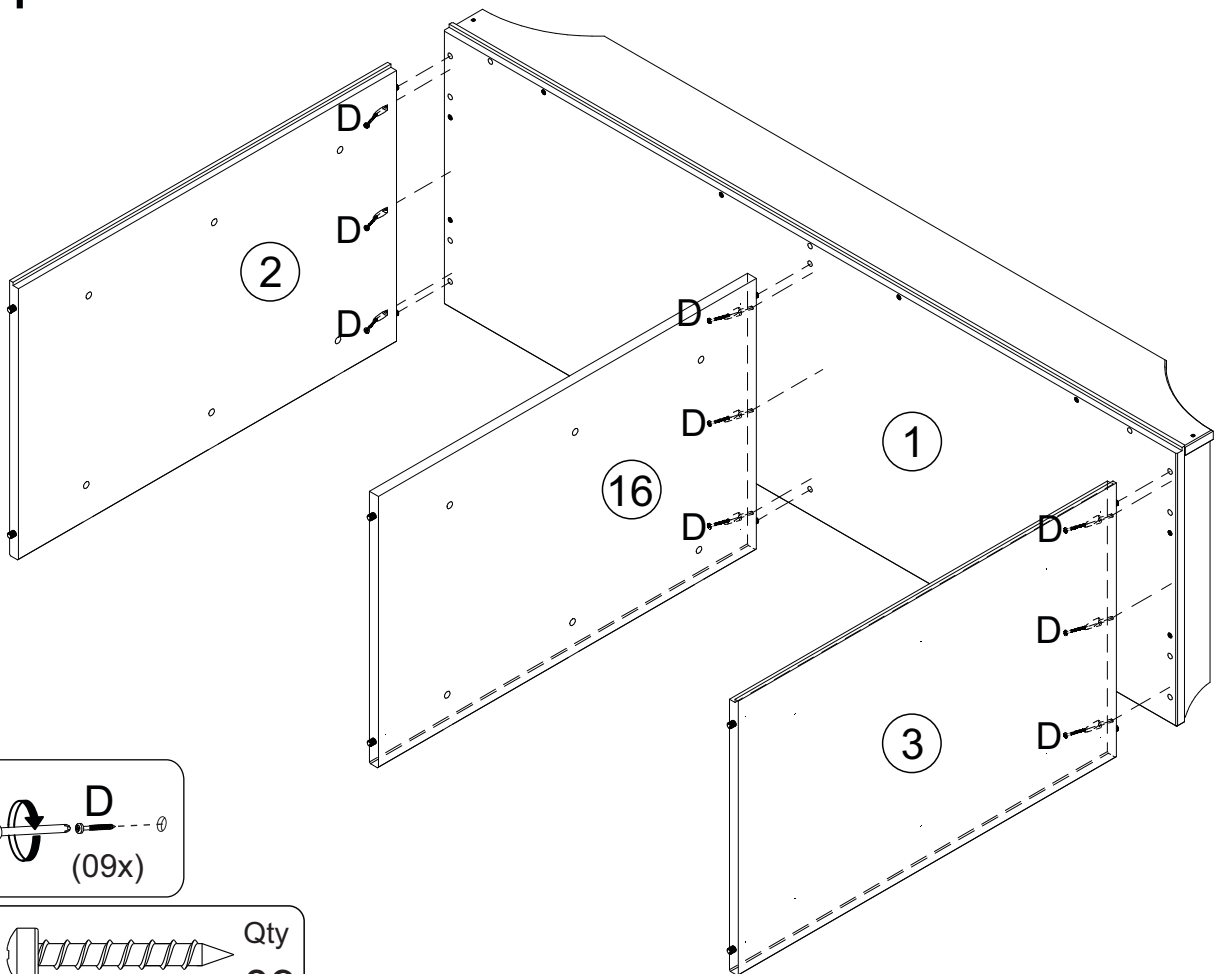
Step 4

Attach screw (G) into the holes in the part (15) and screwdriver (not included).



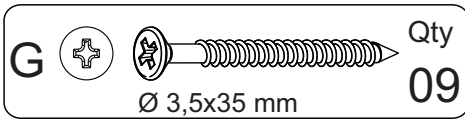
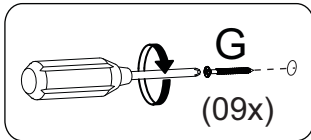
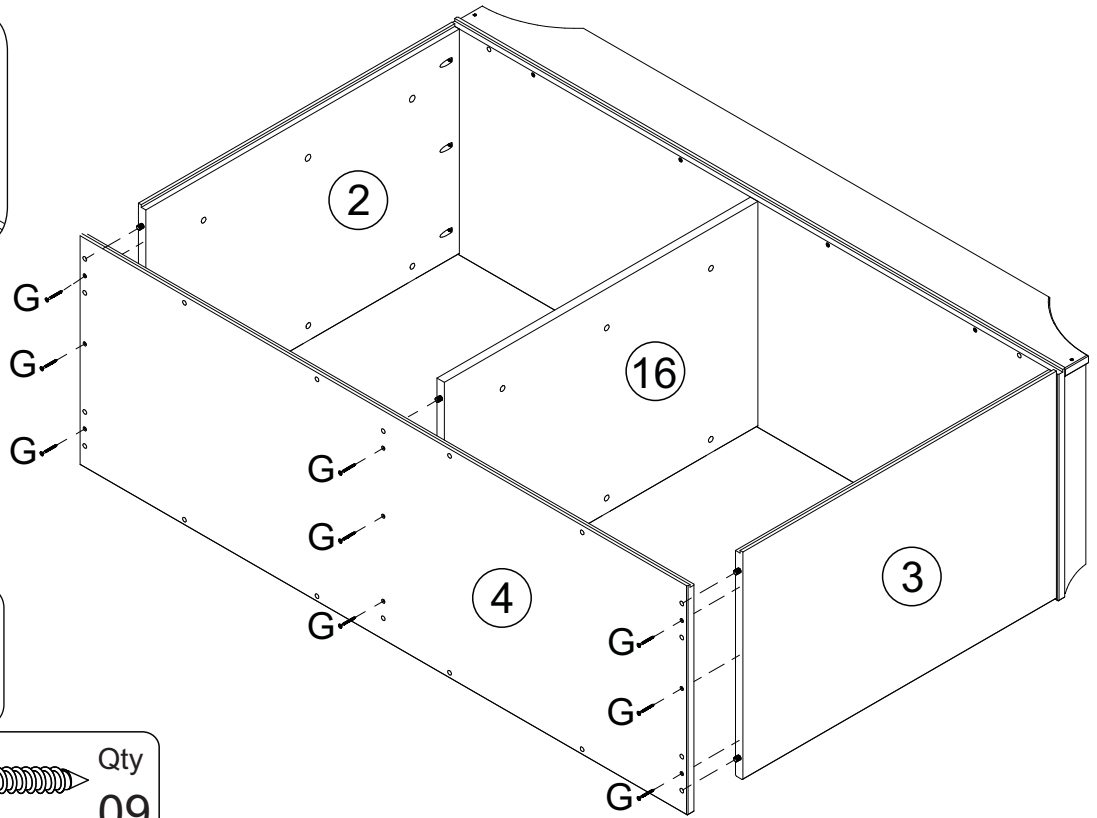
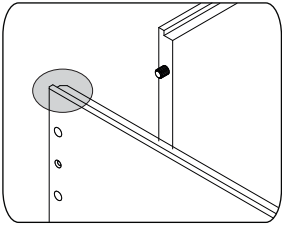
Step 5

Attach parts (2), (3) and (16) in the part (1) as shown using screw (D) and screwdriver (not included).



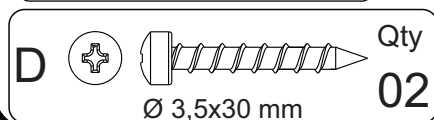
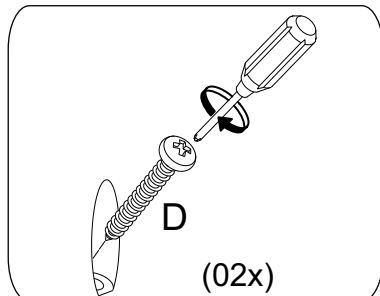
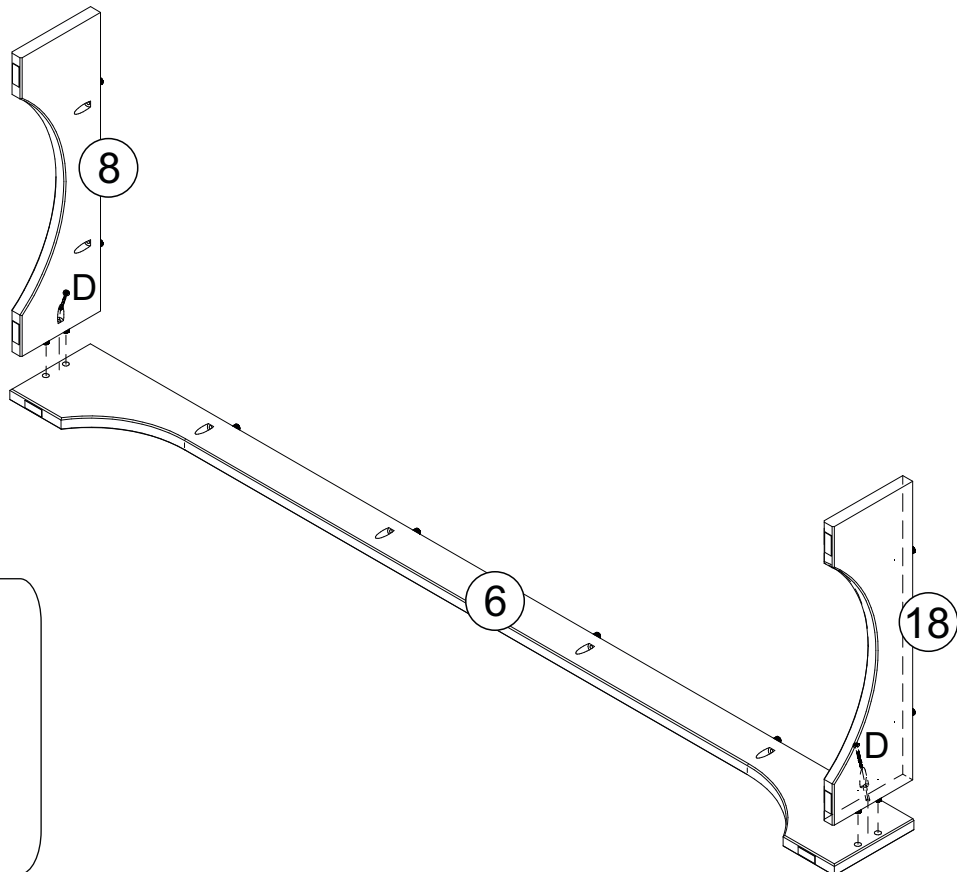
Step 6

Attach part (4) in the parts (2), (3) and (16) as shown using screw (G) and screwdriver (not included).



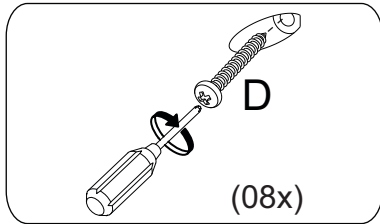
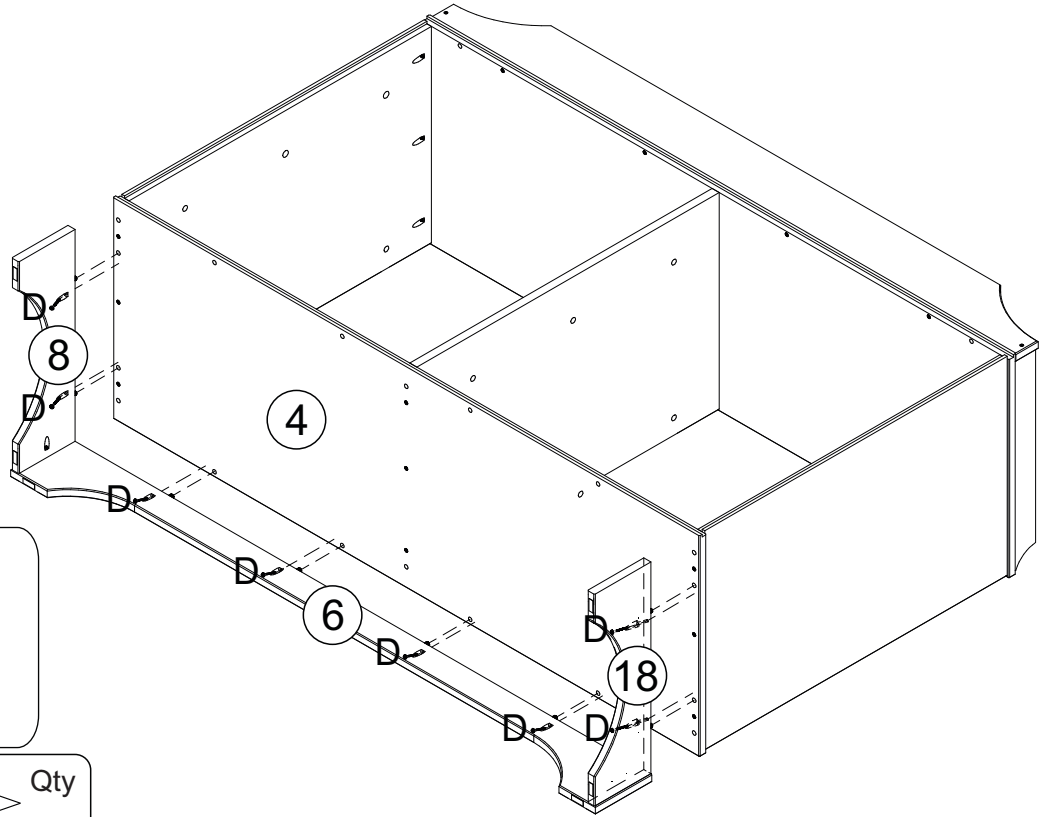
Step 7

Attach parts (8) and (18) in the part (6) as shown using screw (D) and screwdriver (not included).

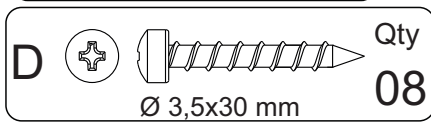


Step 8

Attach parts (6), (8) and (18) in the part (4) as shown using screw (D) and screwdriver (not included).

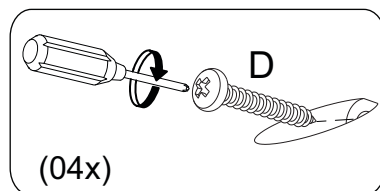
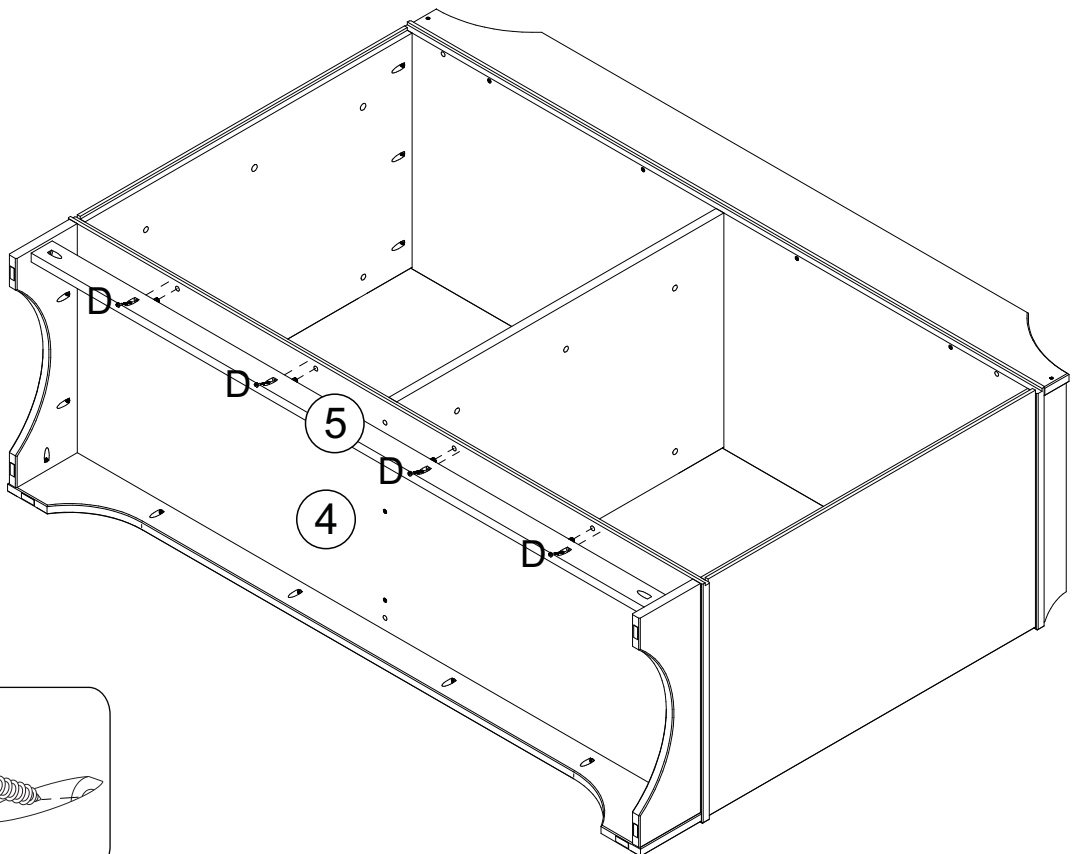


(08x)

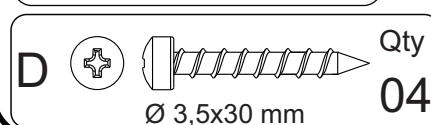


Step 9

Attach part (5) in the part (4) as shown using screw (D) and screwdriver (not included).

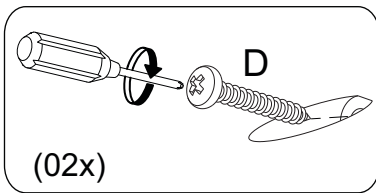
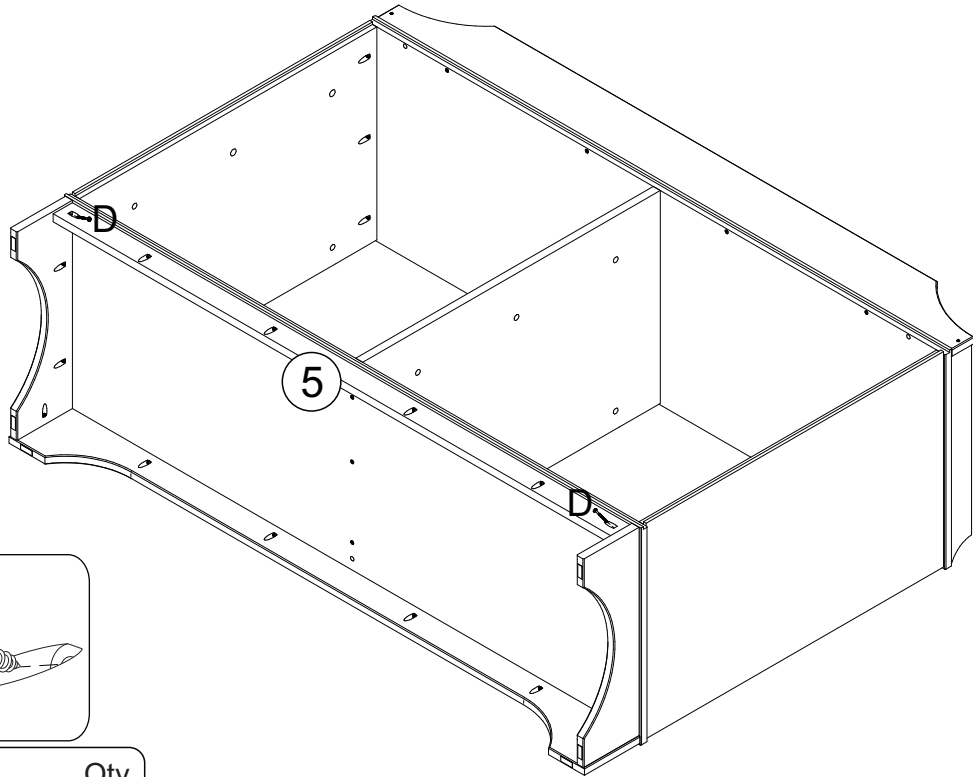


(04x)

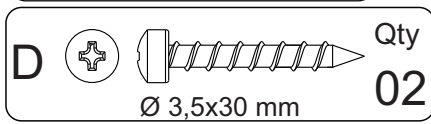


Step 10

Use screw (D) to attach part (5) to part (4) and screwdriver (not included).

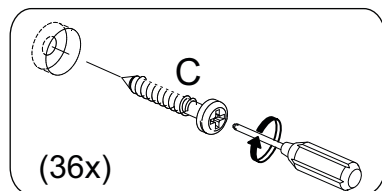
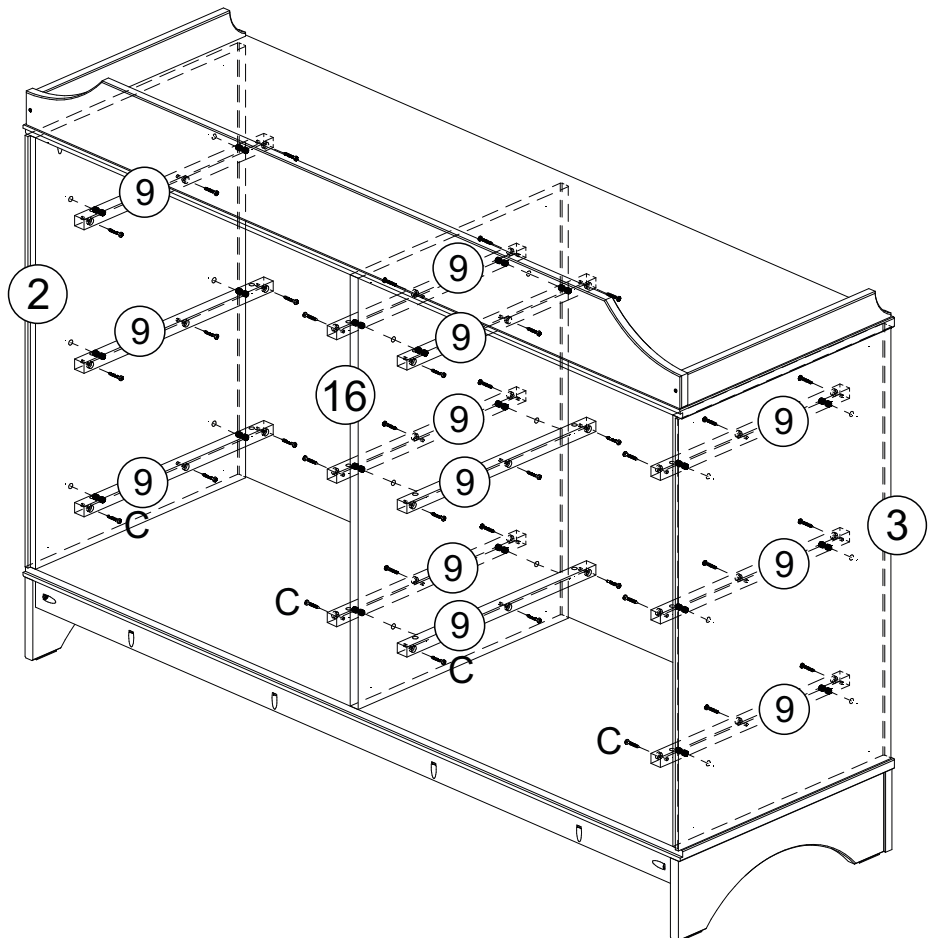
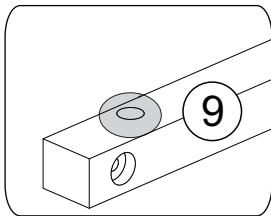


(02x)

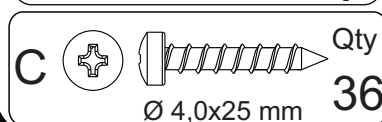


Step 11

Attach parts (9) in the parts (2), (3) and (16) as shown using screw (C) and screwdriver (not included).



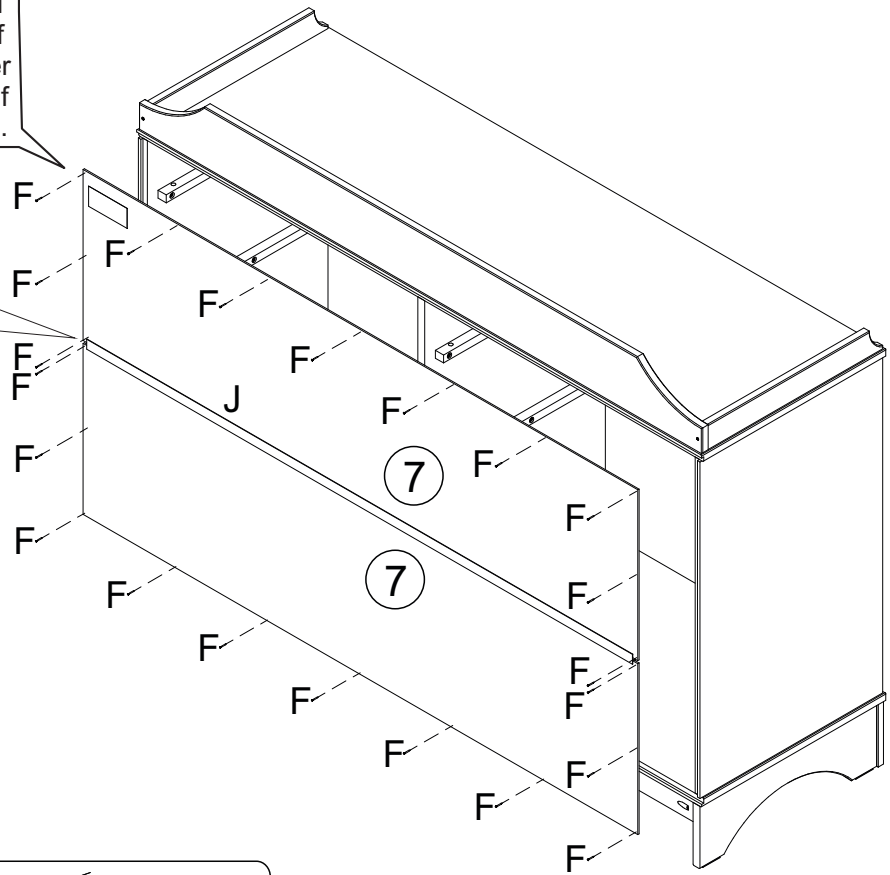
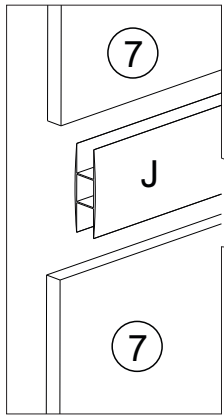
(36x)



Step 12

Secure back panel (7) with part (J) to body with nails (F).

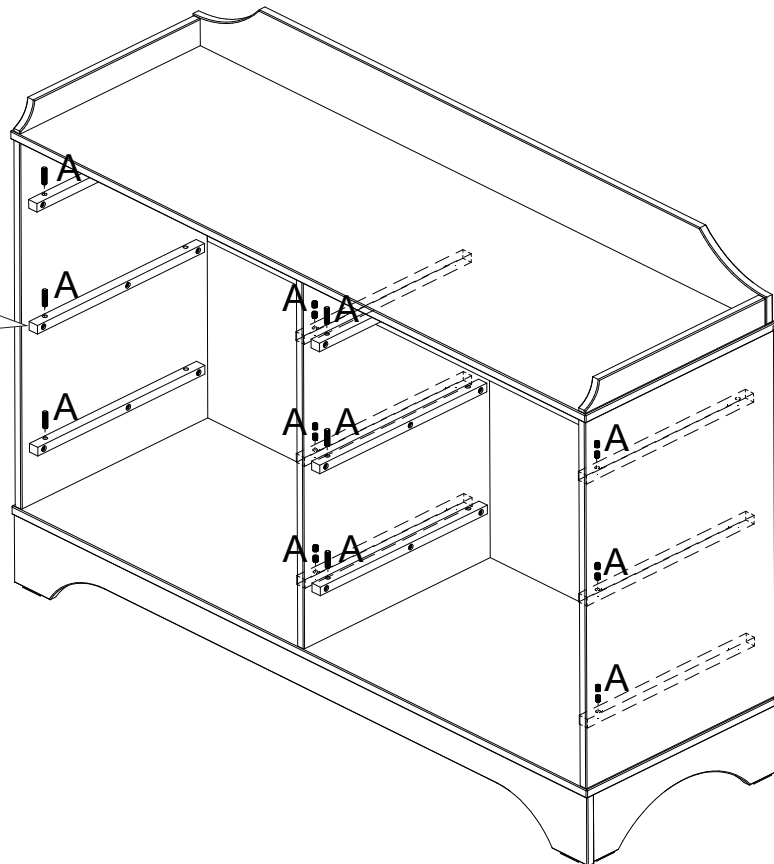
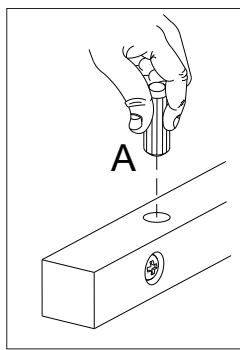
Name and address of the supplier and date of production.




F  Qty 22 Ø 10x7 mm	J  Qty 01 1276 mm
-------------------------------------------------------------------------------------------------------------------------	-----------------------------------------------------------------------------------------------------------------------

Step 13

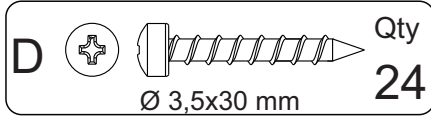
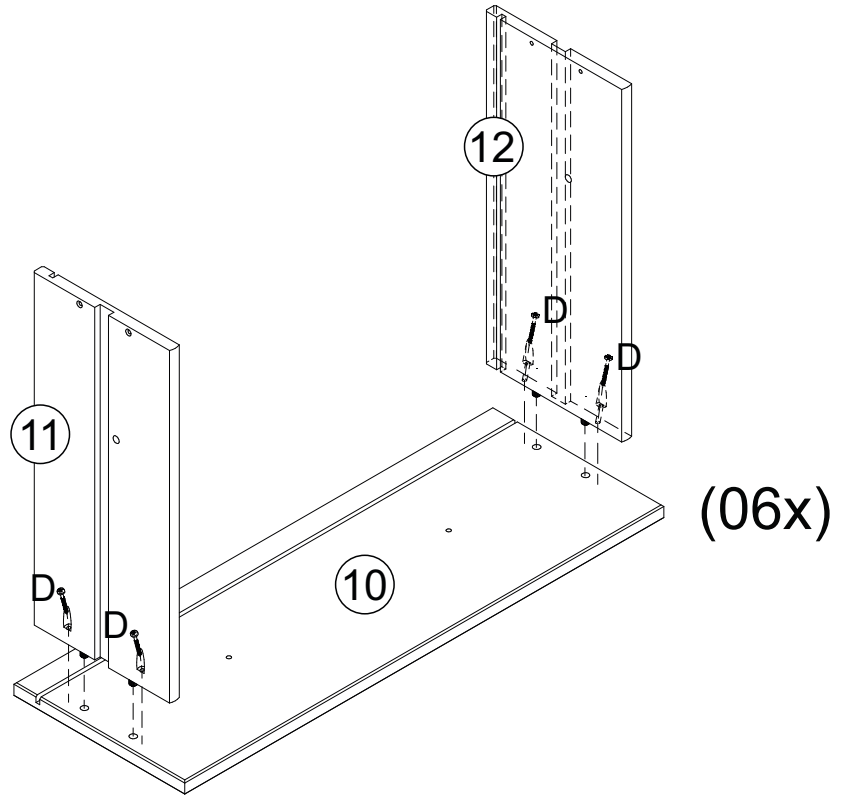
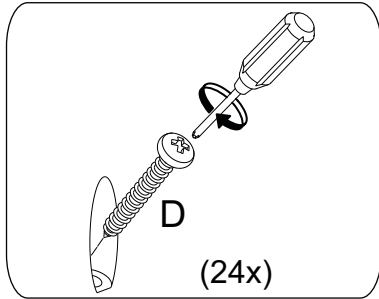
Insert wooden dowel (A) into part (9) (Small drawer runner).



A  Qty 12 Ø 8,0x30 mm

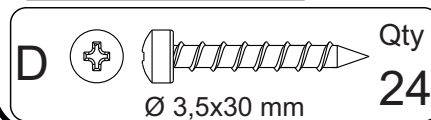
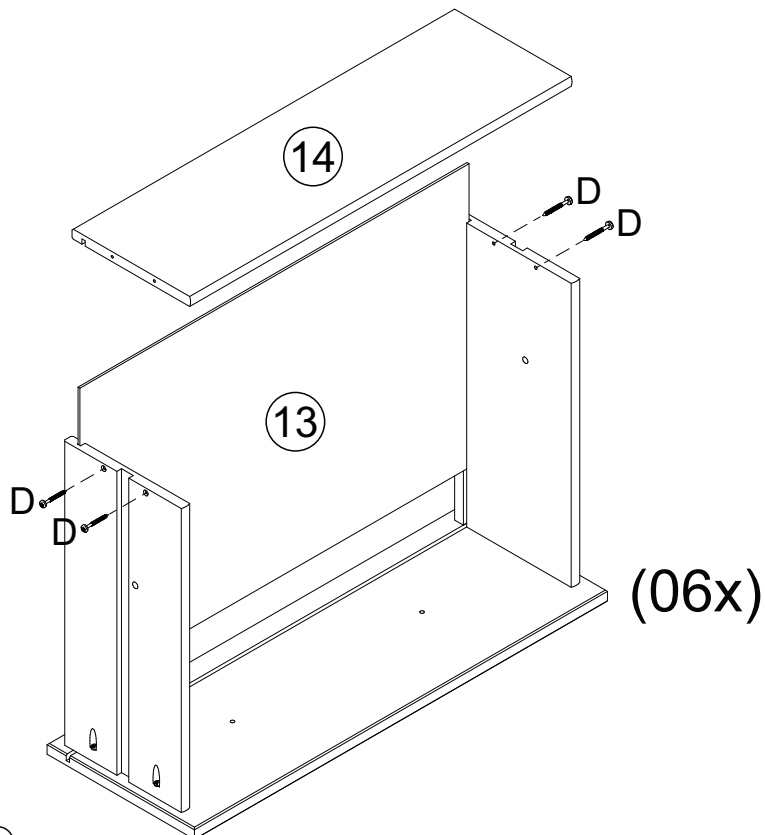
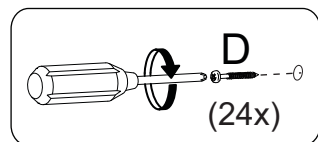
Step 14

Attach parts (11) and (12) in the part (10) as shown using screw (D) and screwdriver (not included).



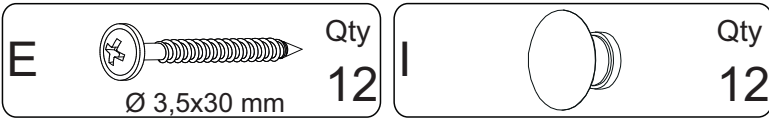
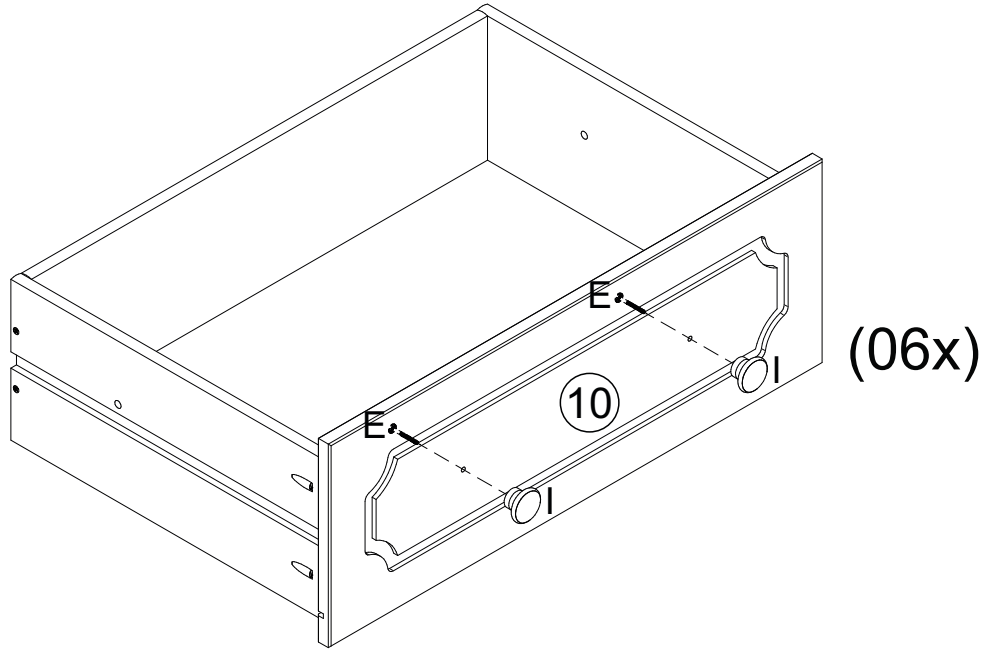
Step 15

Insert panel (13) into grooves and secure part (14) with screws (D) and screwdriver (not included).



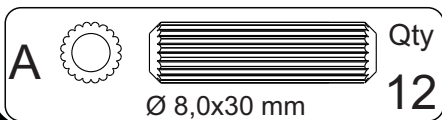
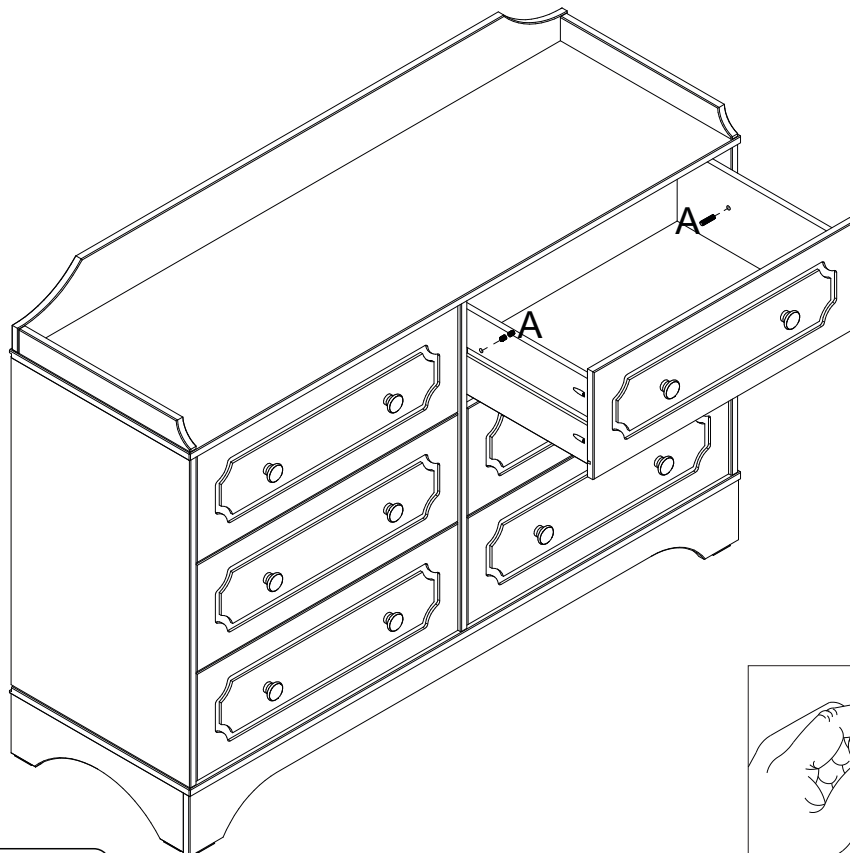
Step 16

Insert knob (I) in the part (10) with screws (E).



Step 17

Insert wooden dowel (A) on the inside of all drawers while drawer is inside the unit.



Step 18

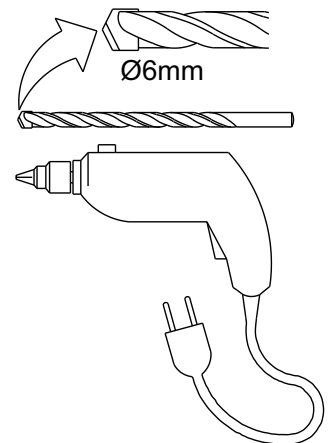
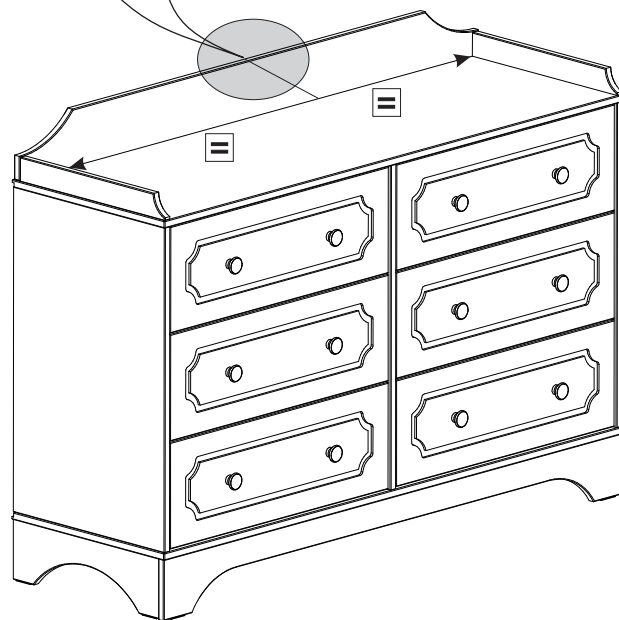
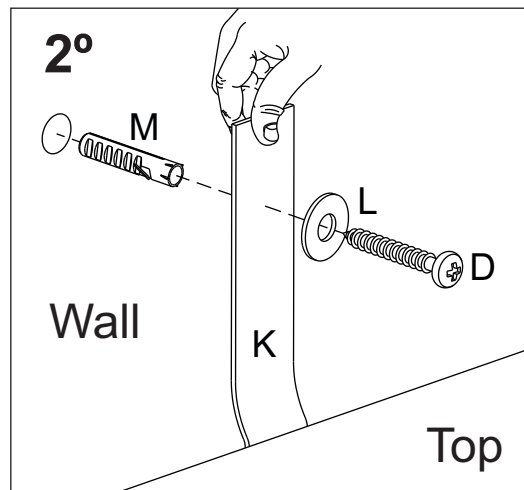
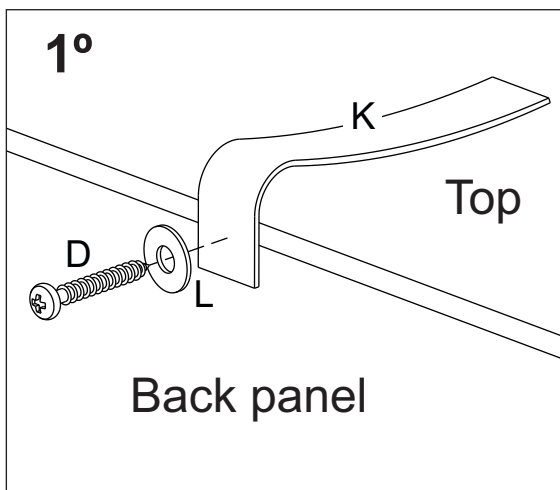
WARNING


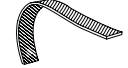

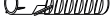
Serious or fatal injuries can occur from furniture tipping over. To prevent the furniture from tipping over we recommend that it is permanently fixed to the wall.

Wall anchor and hardware are included with this product. Please make sure hardware is suitable for your walls before installing, as different wall materials may require different types of anchors.

Attach screw (D) into washer (L), securing wall anchor (K), in the frame of superior panel unit.

Drill your wall with a 6mm drill (not included) and insert hardware (M), securing wall anchor (K) with washer (L) and screw (D) in the wall.



D		Qty 02
	Ø 3,5x30 mm	
K		01
L		02
M		01

Name and address information for the manufacturer responsible for the anti-tip hardware and date of production can be found on the label on the back of the furniture.

Step 19

