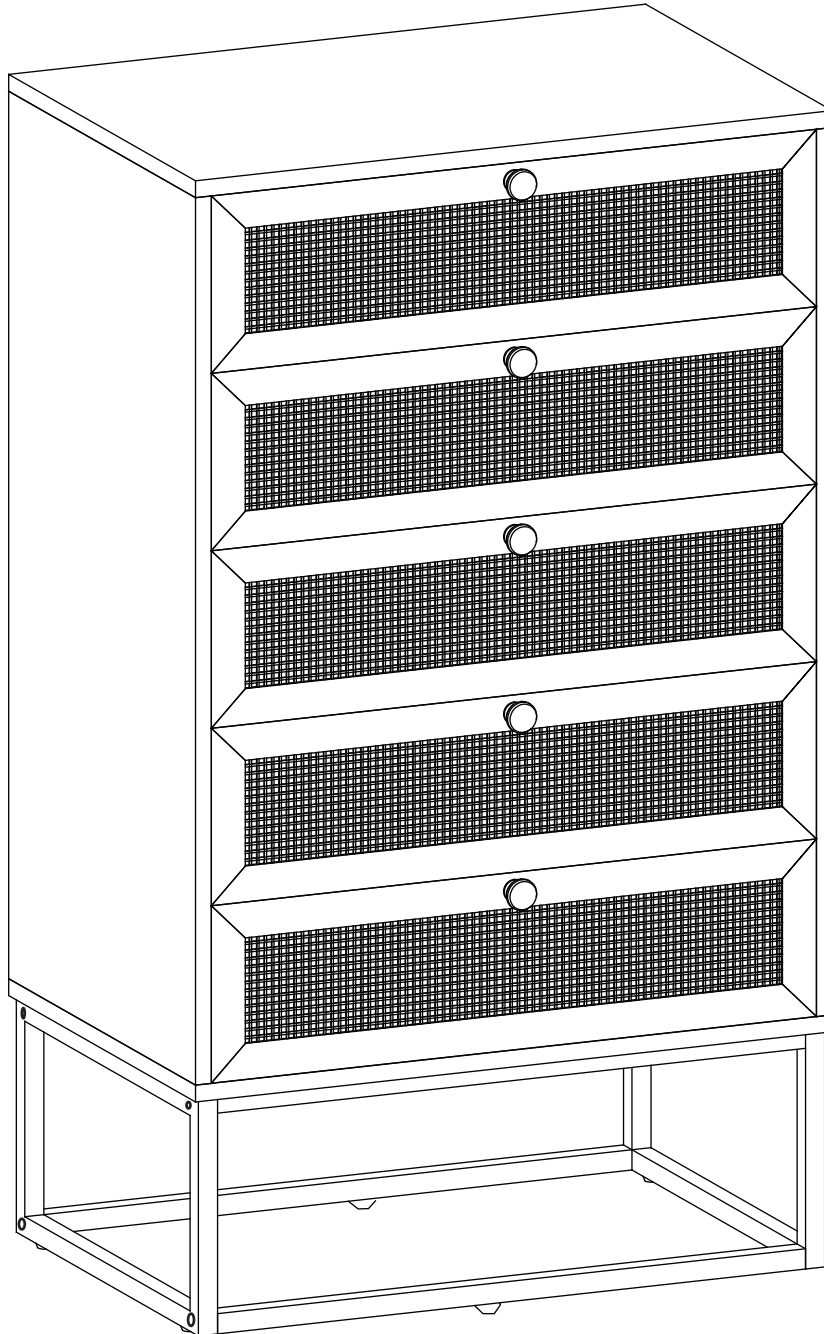
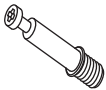


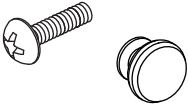
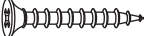


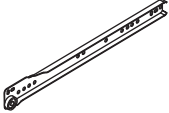
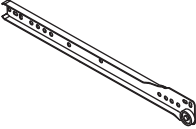


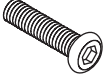
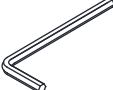

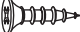







# Chest of 5 Drawers

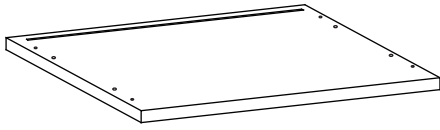


## ASSEMBLY INSTRUCTION

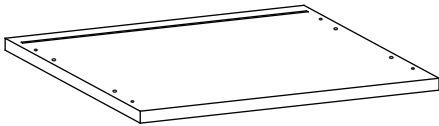
# HARDWARE LIST

A		B		C		D	
33PCS		33PCS		12PCS		5 PCS	
	Ø6x35mm		Ø15x10mm		Ø6x30mm		
E		F		G		CL	
31PCS		60PCS		6 PCS		5 PCS	
	Ø4x35mm		Ø3x12mm				L300mm
CR		DR		DL		H	
5PCS		5PCS		5PCS		8 PCS	
	L300mm		L300mm		L300mm		Ø6x30mm
I		J		K		L	
1 PC		8 PCS		8 PCS		2 PCS	
	M4mm				Ø3x16mm		
M		N		O		P	
2 PCS		2 PCS		8 PCS		4 PCS	
	Ø6x30mm		Ø4x14mm		Ø6x25mm		

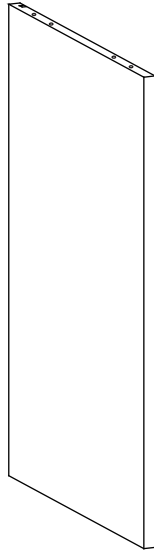
# PARTS LIST



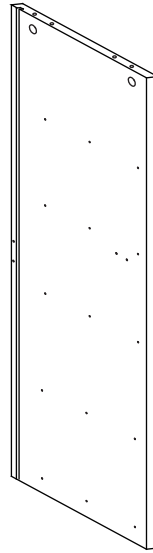
1 - 1 PC



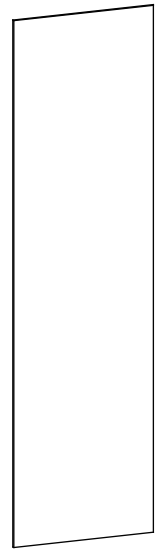
4 - 1 PC



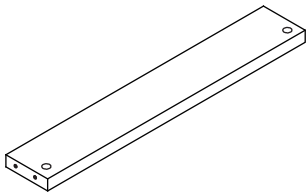
2 - 1 PC



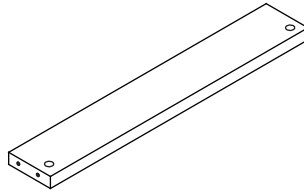
3 - 1 PC



5 - 2PCS



6 - 1 PC



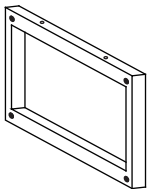
7 - 1 PC



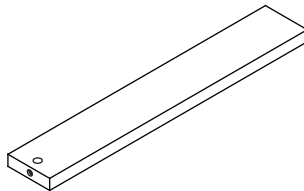
8 - 2PCS



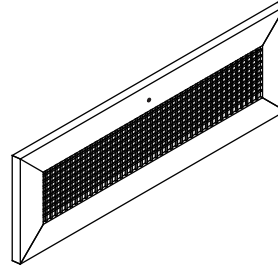
9 - 2 PCS



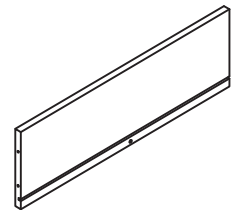
10 - 2 PCS



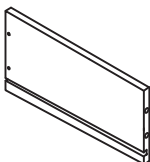
11 - 5PCS



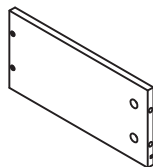
12 - 5PCS



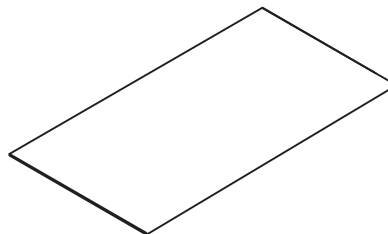
13 - 5PCS



14 - 5PCS



15 - 5 PCS



16 - 5PCS

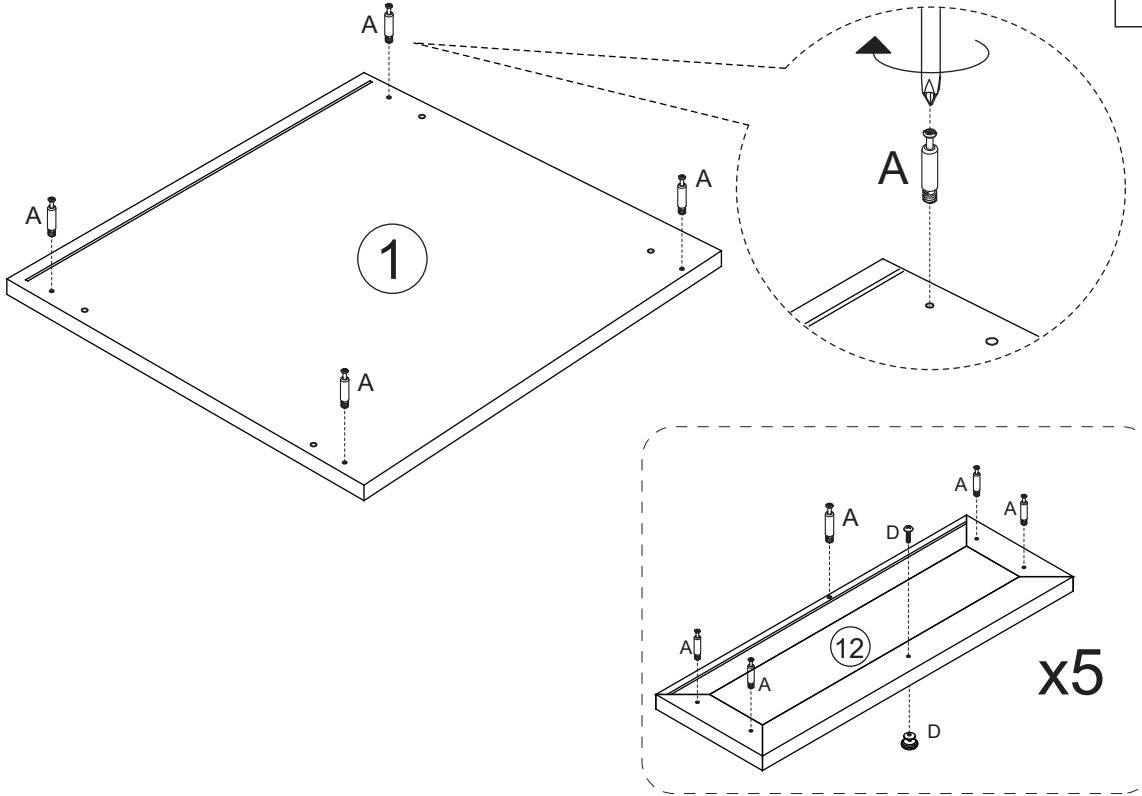


17 - 1PC

# ASSEMBLY STEPS

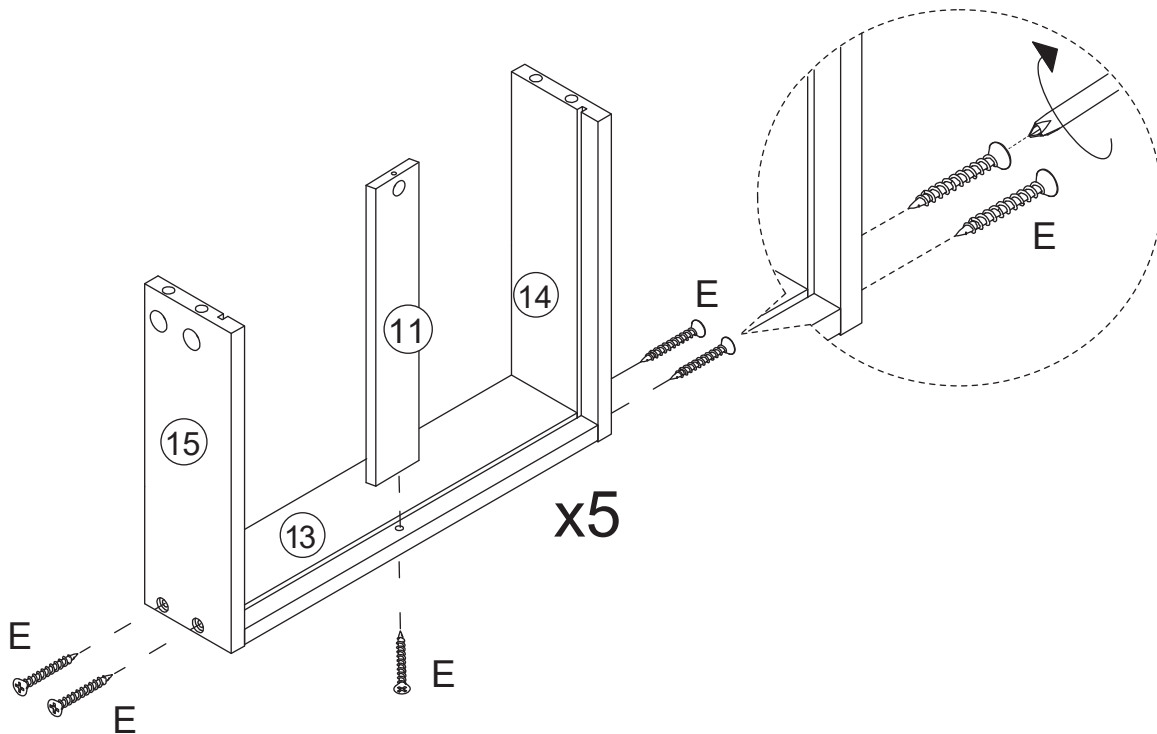
## STEP 1.

Insert quickfit screws (A) into part 1 and parts 12, as shown.  
Fix handles to parts 12 using screws (D), as shown.



## STEP 2.

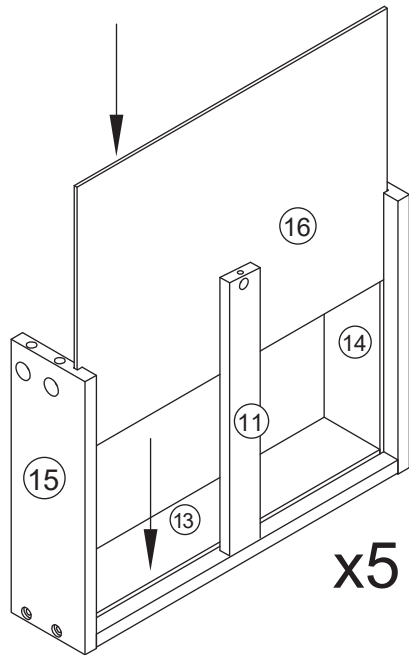
Fix parts 11, 14 and 15 to part 13 using screws (E), as shown.  
All the other drawers are installed this way.



# ASSEMBLY STEPS

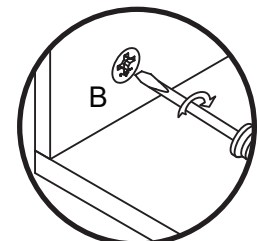
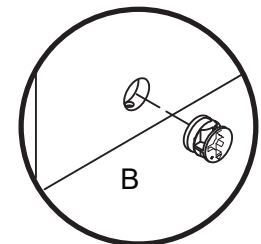
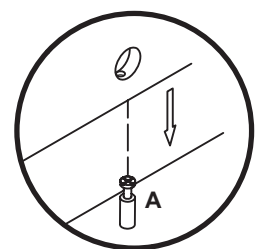
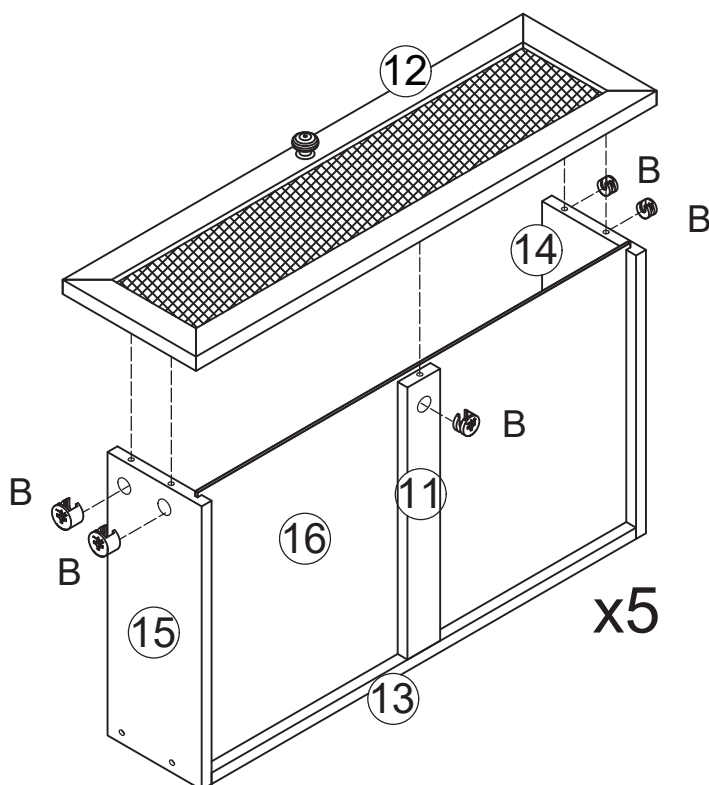
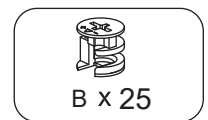
## STEP 3.

Slide part 16 into grooves between parts 13, 14 and 15, as shown. All the other drawers are installed this way.



## STEP 4.

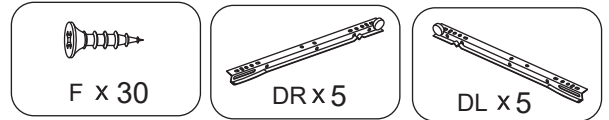
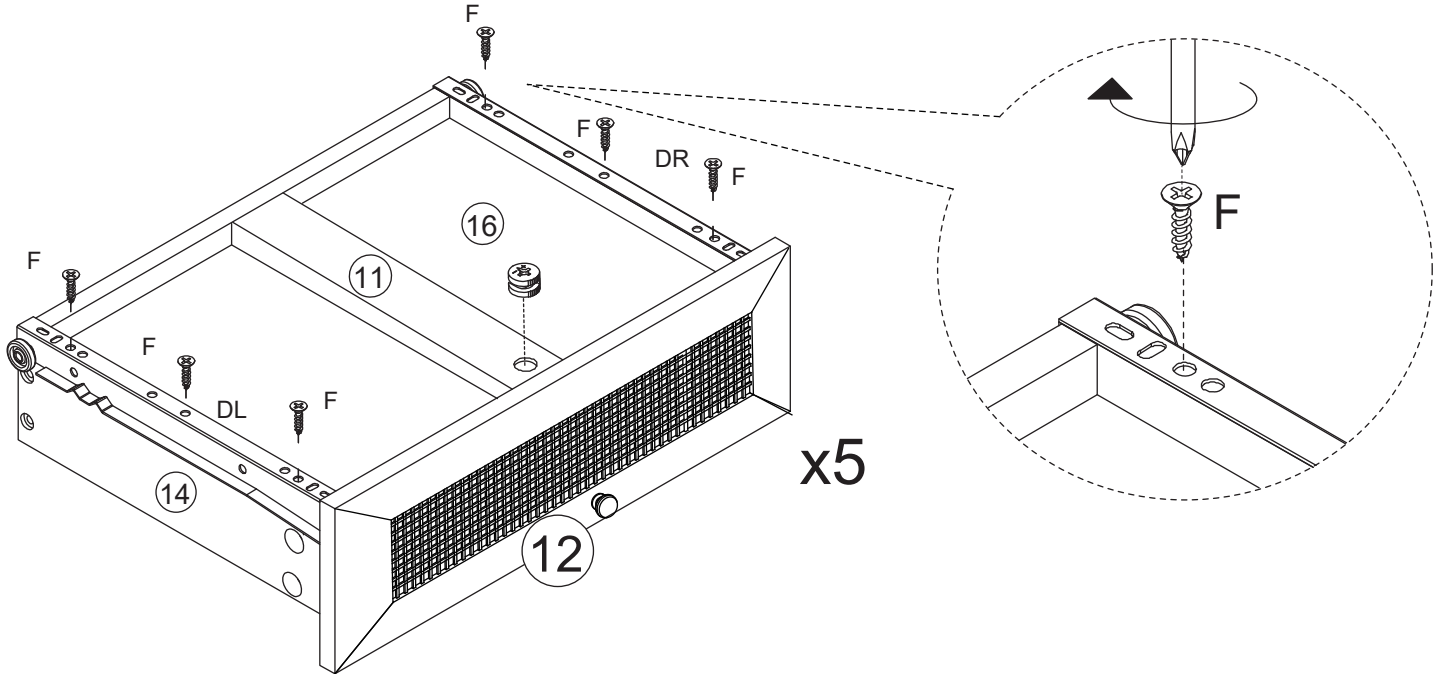
Insert cam locks (B) to part 11, 14 and 15, as shown. Fit parts 12 to assembled unit. Turn cam locks clockwise to tighten.



# ASSEMBLY STEPS

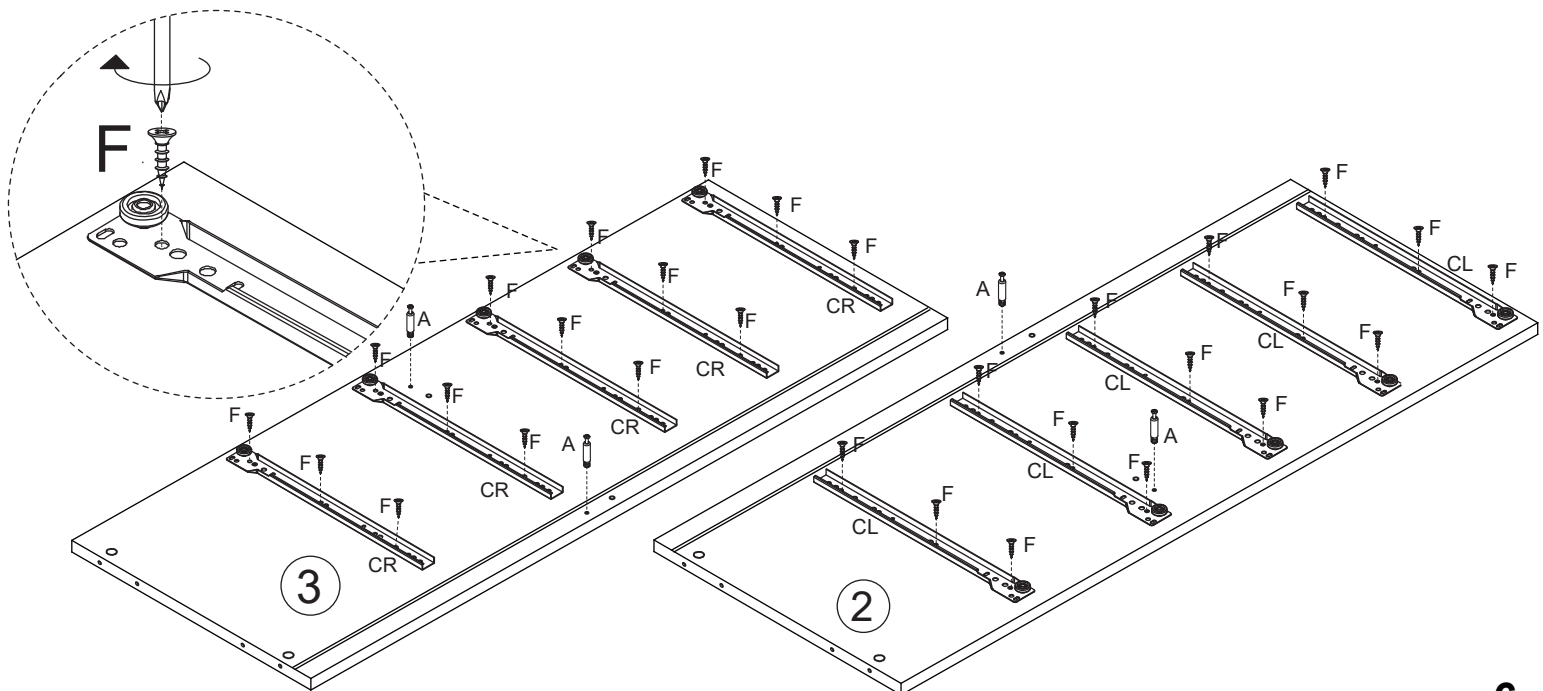
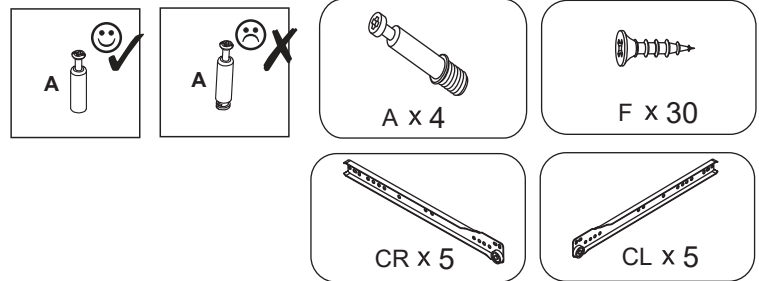
## STEP 5.

Fix inner drawer runners (DR) and (DL) to assembled drawers using screws (F), as shown. All the other drawers are installed this way.



## STEP 6.

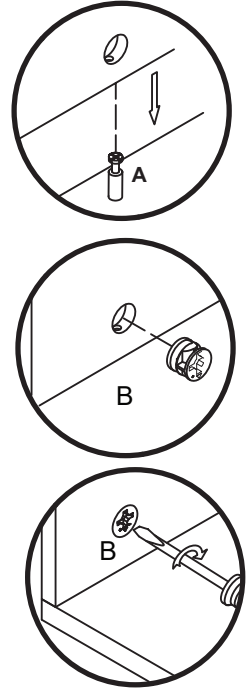
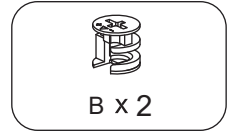
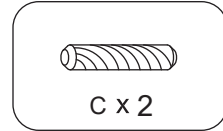
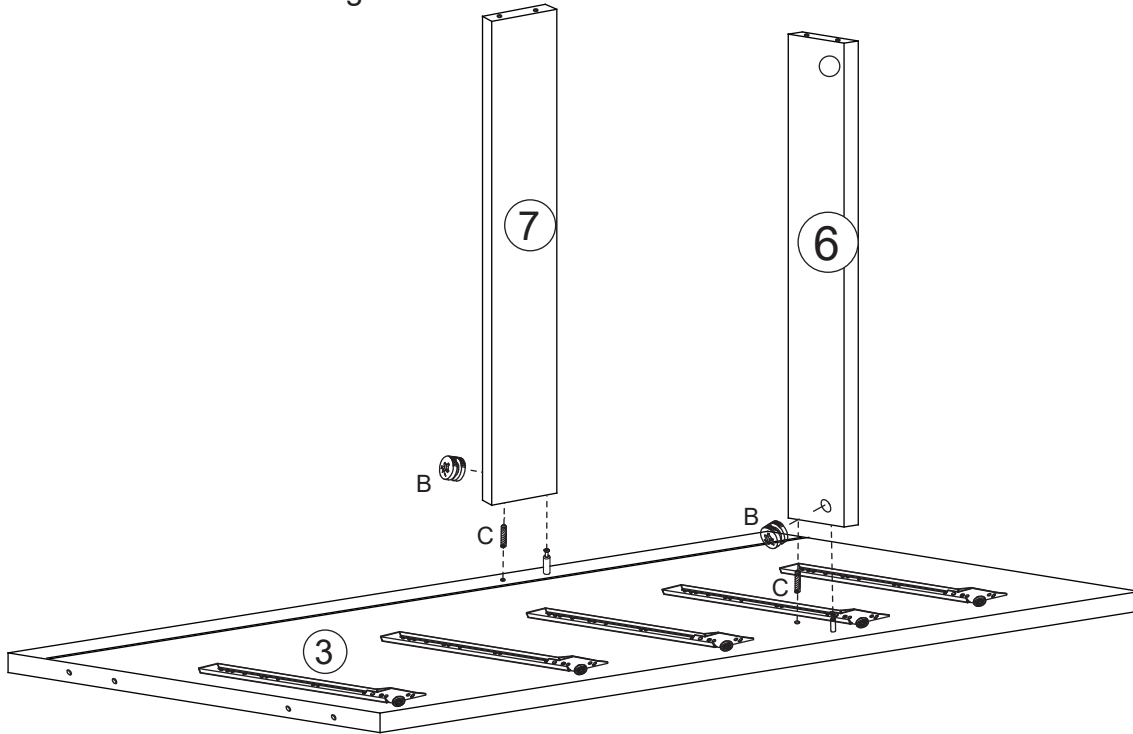
Insert quickfit screws (A) into part 2 and part 3. Fix outer drawer runners (CL) to part 2 and (CR) to part 3 using screws (F), as shown.



# ASSEMBLY STEPS

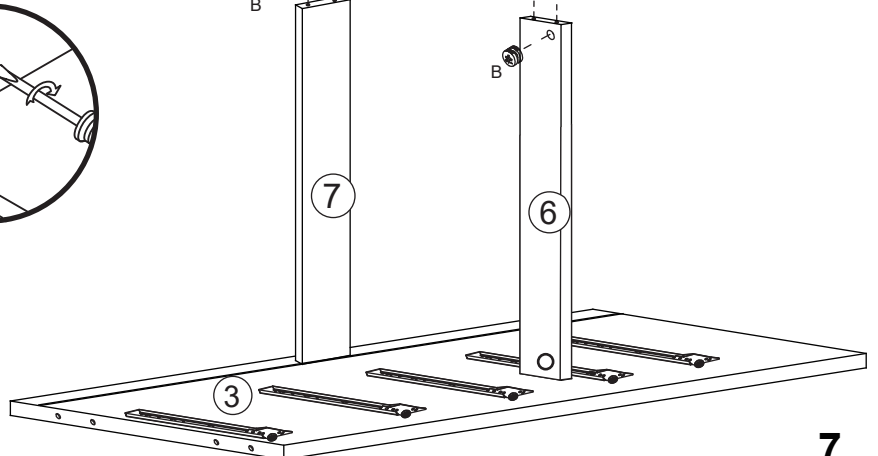
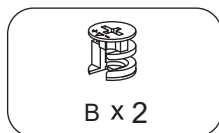
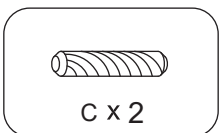
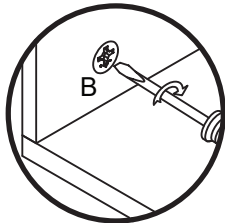
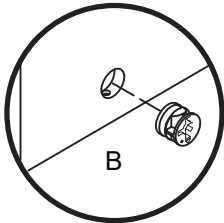
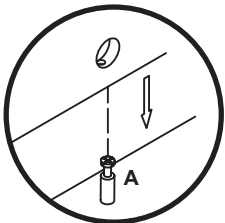
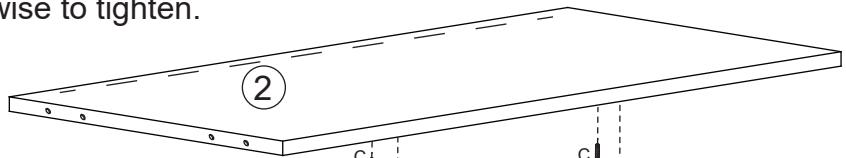
## STEP 7.

Insert cam locks (B) and wooden dowels (C) into parts 6 and 7.  
Fit parts 6 and 7 to part 3, as shown.  
Turn cam lock clockwise to tighten.



## STEP 8.

Insert cam locks (B) and wooden dowels (C) into parts 6 and 7.  
Fit part 2 to parts 6 and 7, as shown.  
Turn cam lock clockwise to tighten.



## ASSEMBLY STEPS

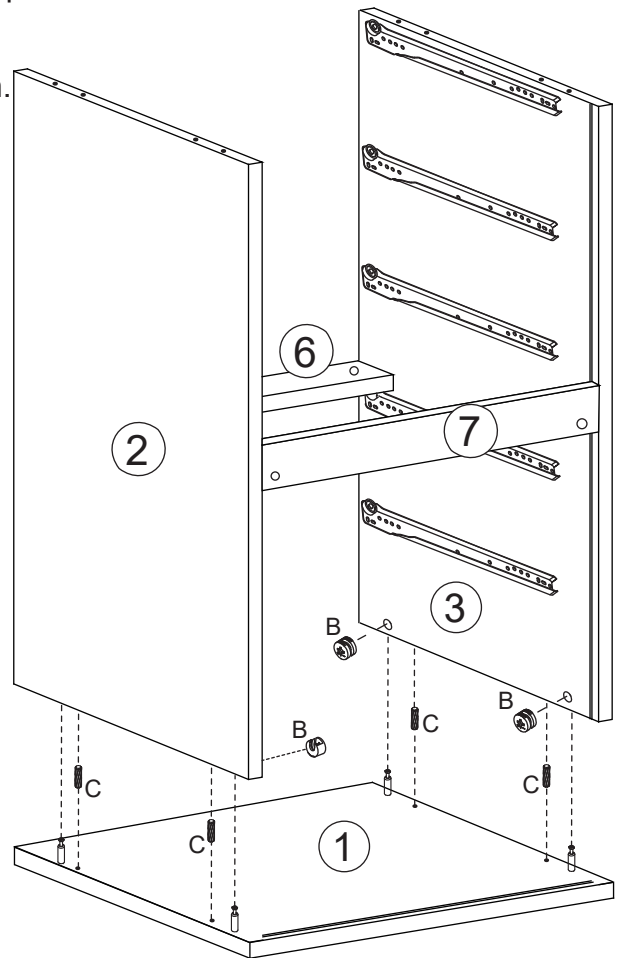
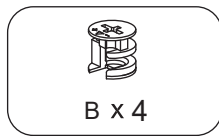
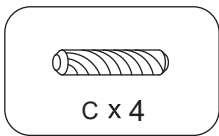
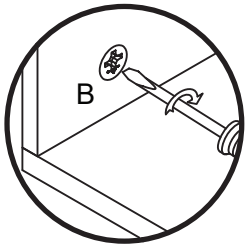
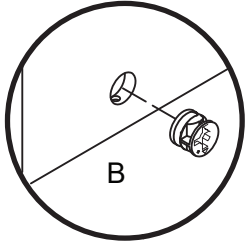
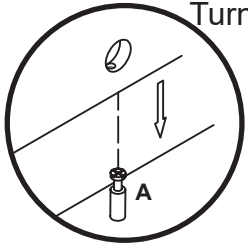
Insert wooden dowels (C) to part 1.

### STEP 9.

Insert cam locks (B) into part 2 and part 3.

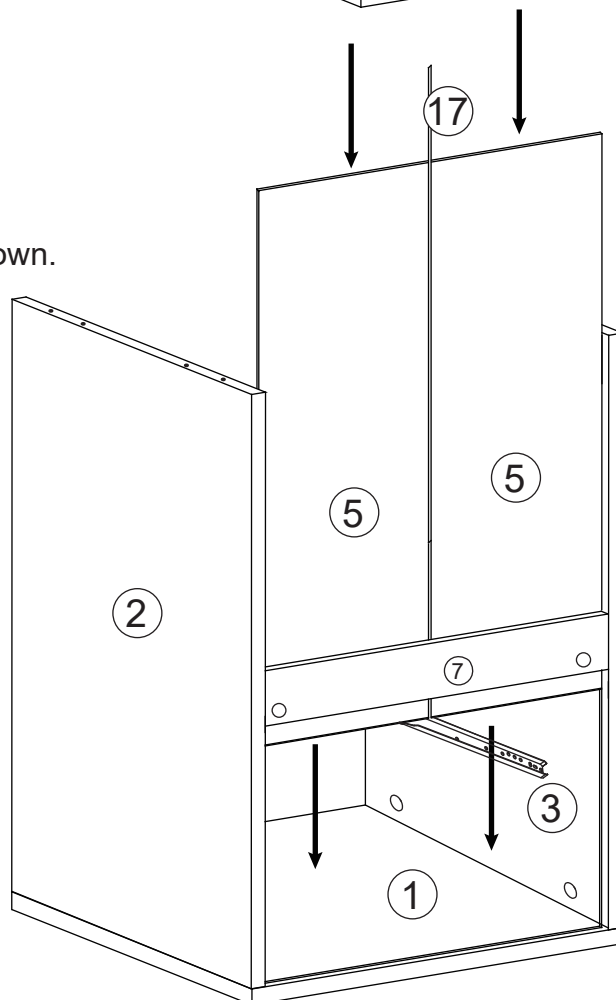
Fit part 2 and 3 to part 1, as shown.

Turn cam locks clockwise to tighten.



### STEP 10.

Slide parts 5 and part 17 into grooves between parts 1, 2 and 3, as shown.



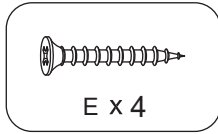
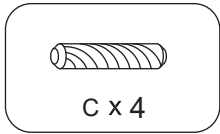
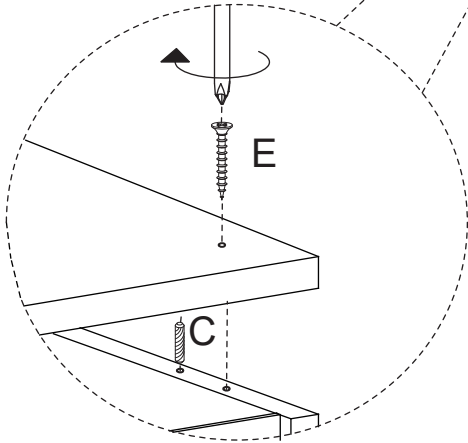
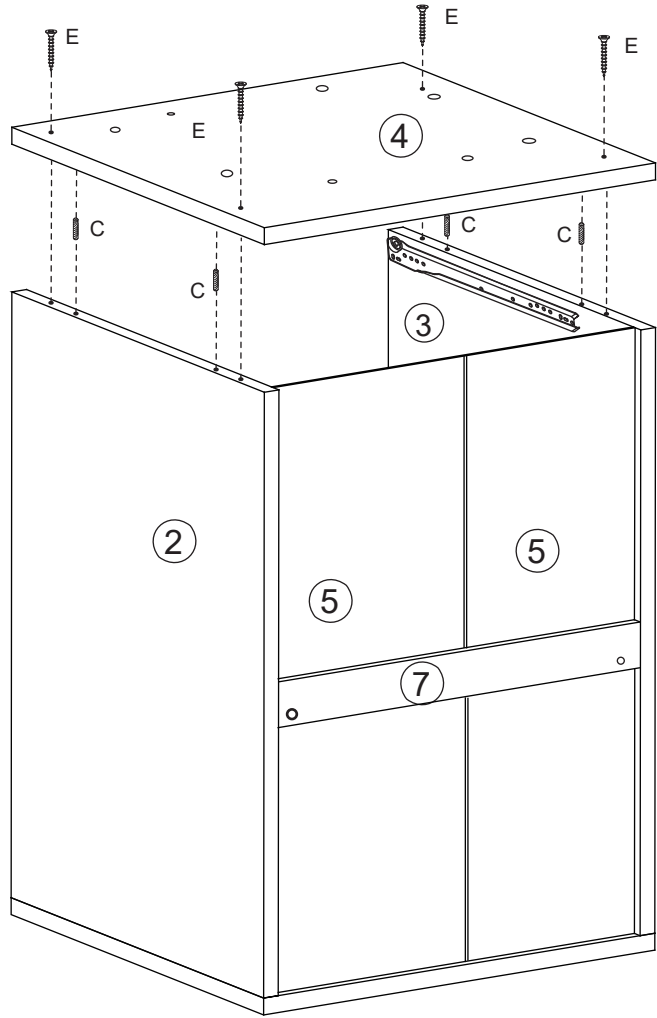


## ASSEMBLY STEPS

### STEP 11.

Insert wooden dowels (C) to parts 2 and 3.

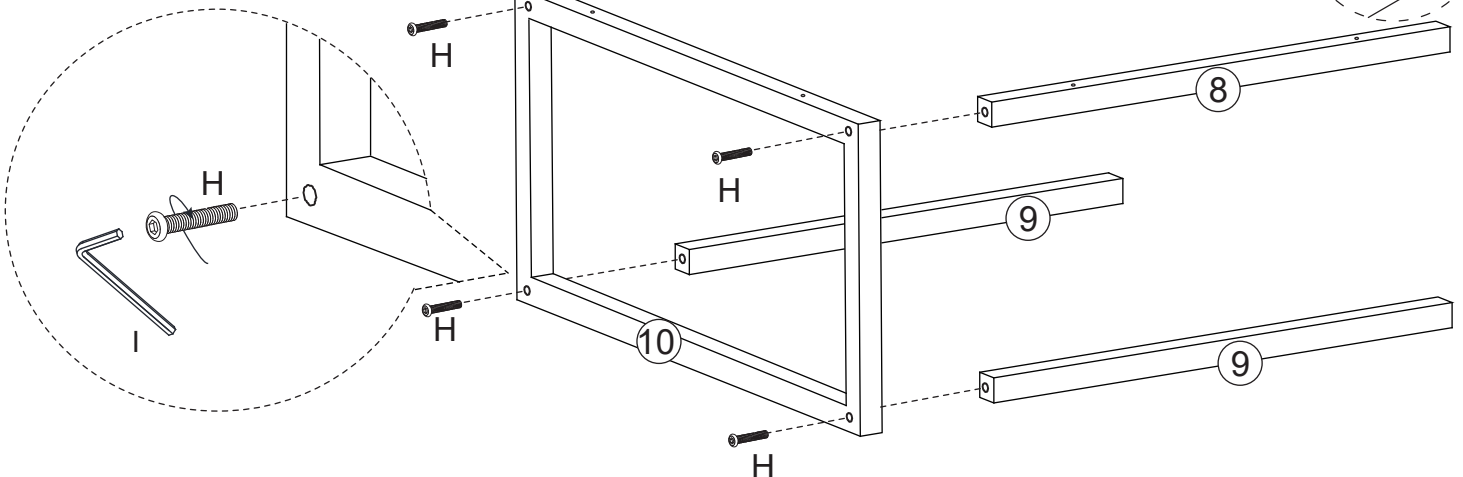
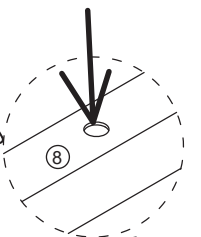
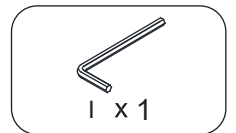
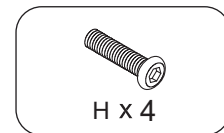
Fix part 4 to parts 2 and 3 using screws (E), as shown.



### STEP 12.

Fix part 10 to parts 9 and 8 using screws (H).

Turn Allen key (I) clockwise to tighten, as shown.

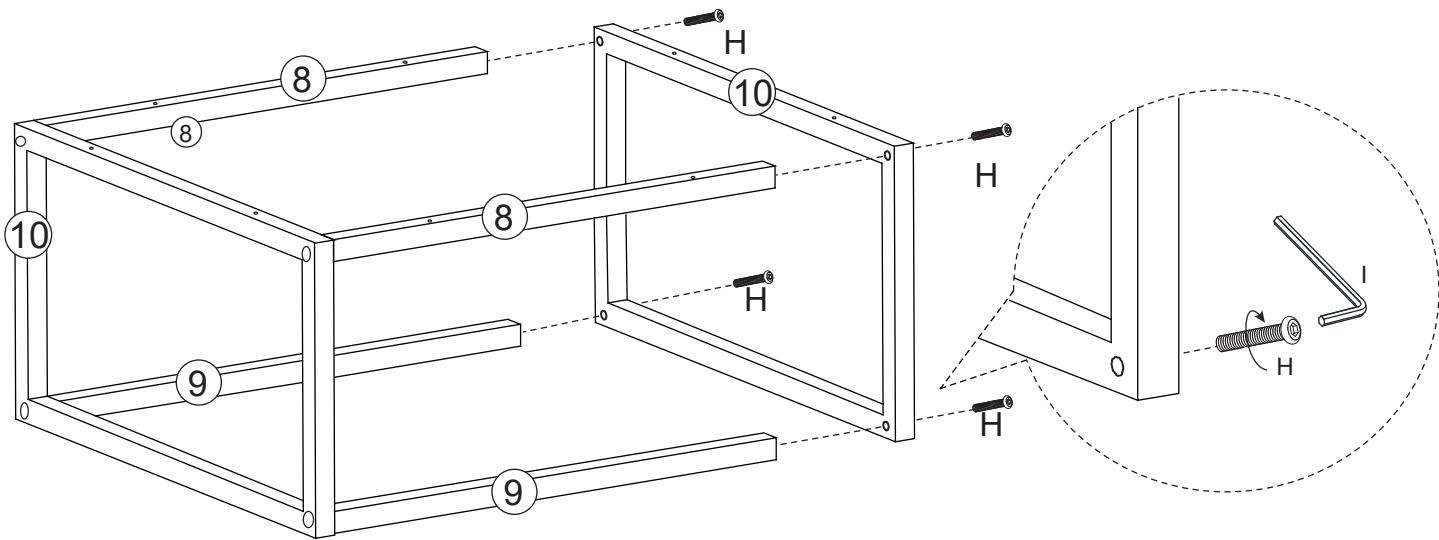
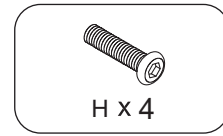


# ASSEMBLY STEPS

## STEP 13.

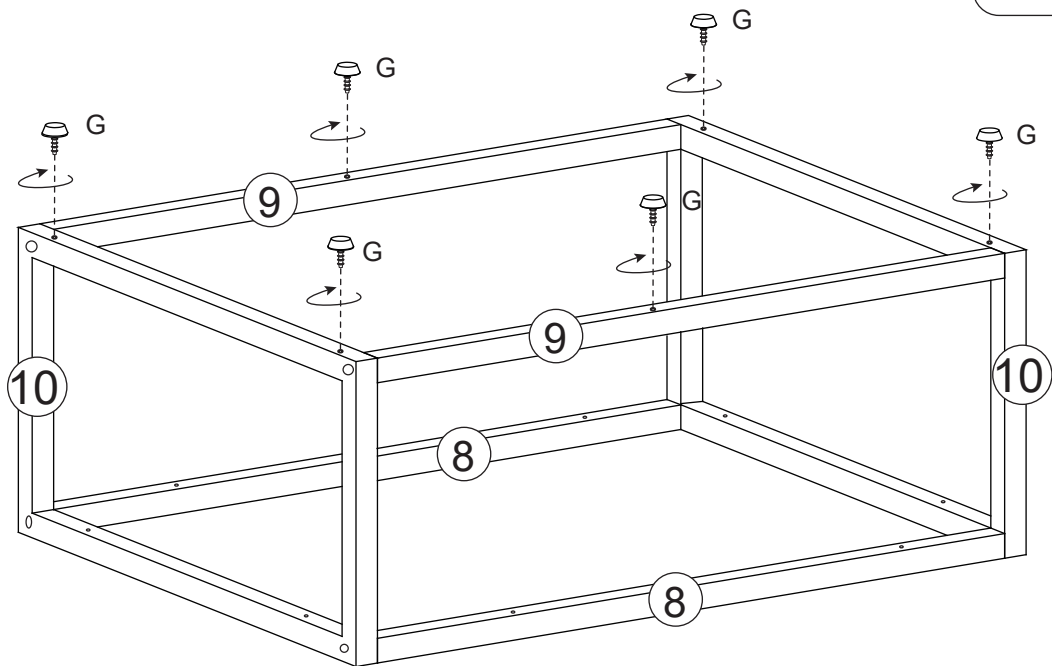
Fix part 10 to parts 9 and 8 using screws (H).

Turn (I) clockwise to tighten, as shown.



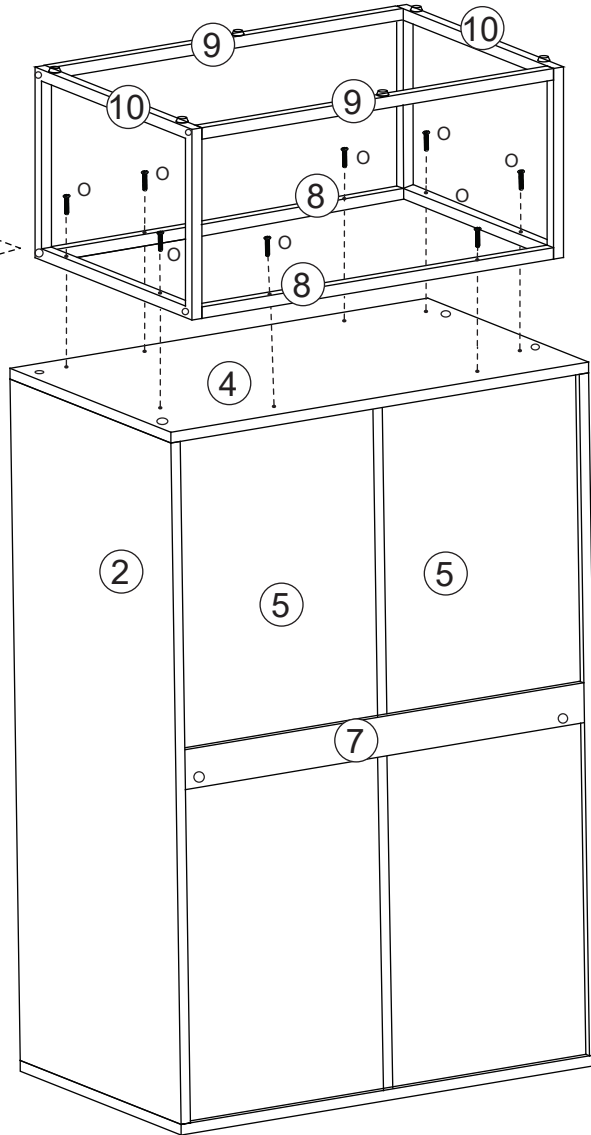
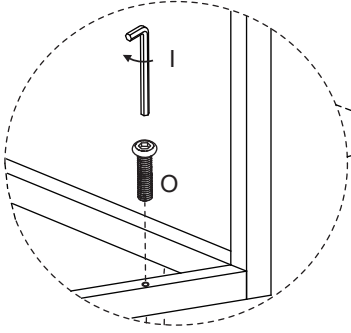
## STEP 14.

Insert Foot nail (G) to parts 10, as shown.



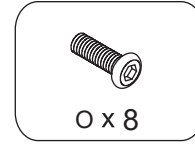
# ASSEMBLY STEPS

## STEP 15.



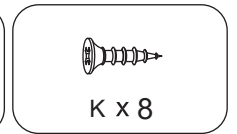
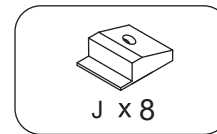
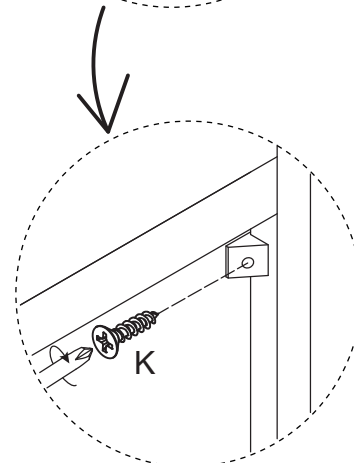
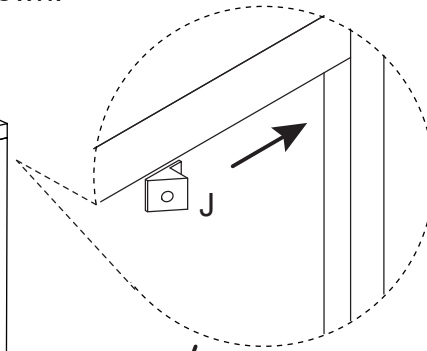
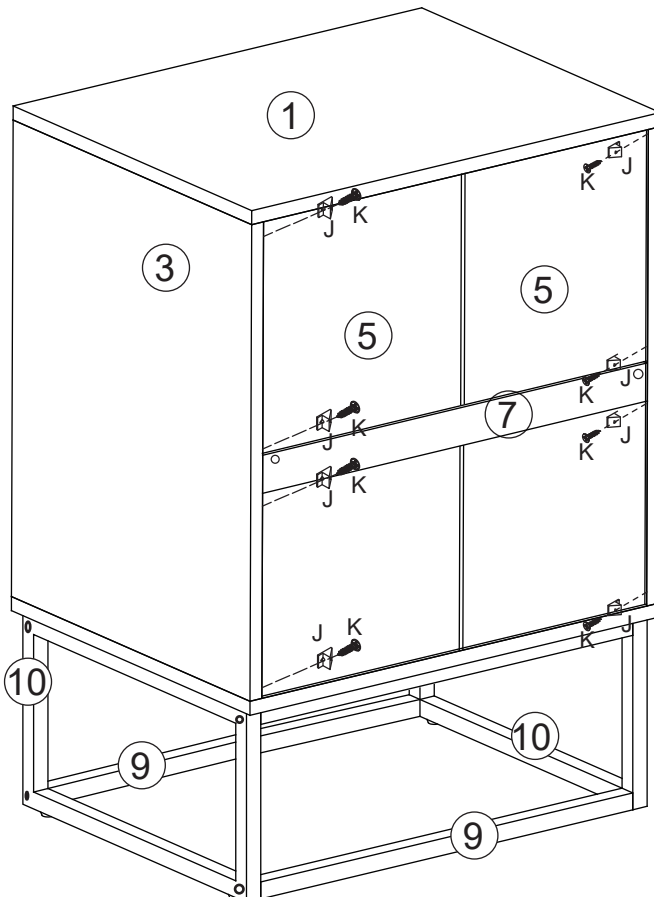
Fix Iron frame to assembled unit using screws (O).

Turn Allen key (I) clockwise to tighten, as shown.



## STEP 16.

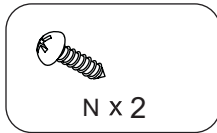
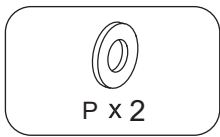
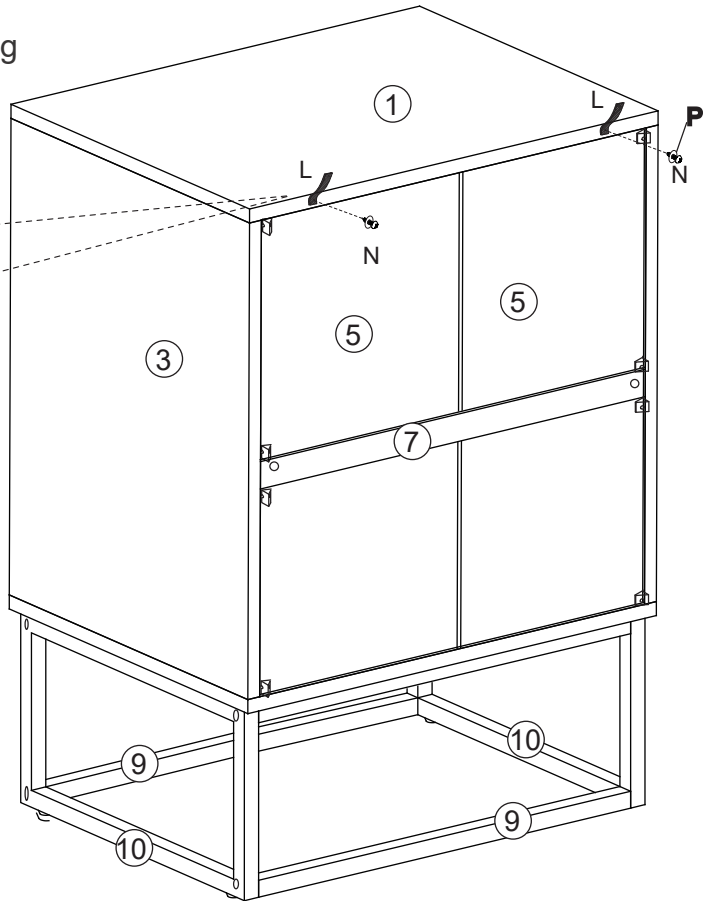
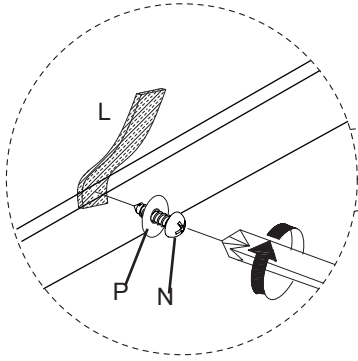
Fix corner brackets (J) to part 5 using screws (K), as shown.



# ASSEMBLY STEPS

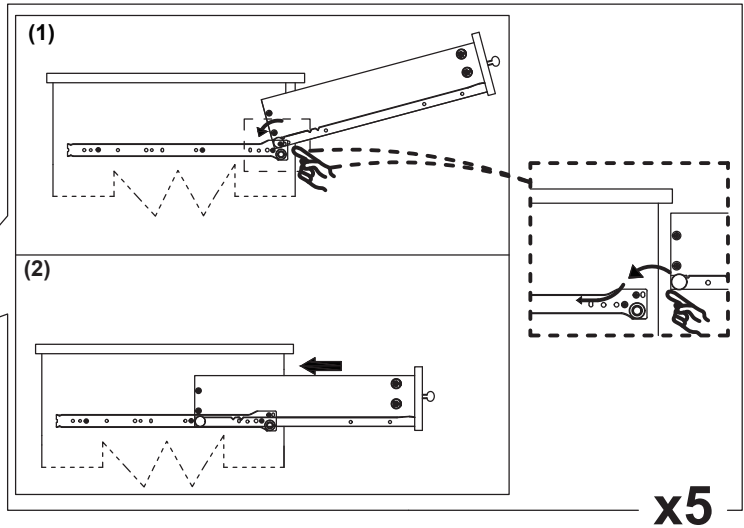
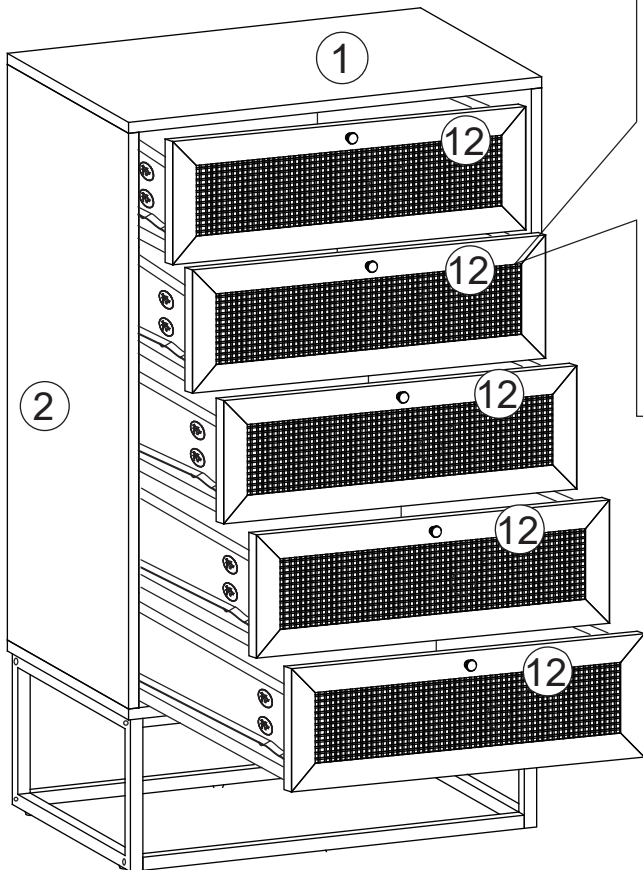
## STEP 17.

Fix wall straps (L) on to assembled unit using washers (P) and screws (N), as shown.



## STEP 18.

Fit drawers into assembled unit, as shown.



# ASSEMBLY STEPS

## STEP 19.

For extra stability, it is recommended that you fix your chest of drawers to the wall using additional hardwares (E, P and M) , as shown.

Should you choose not to affix the product to the wall, serious injury may be caused if the product tips over.

