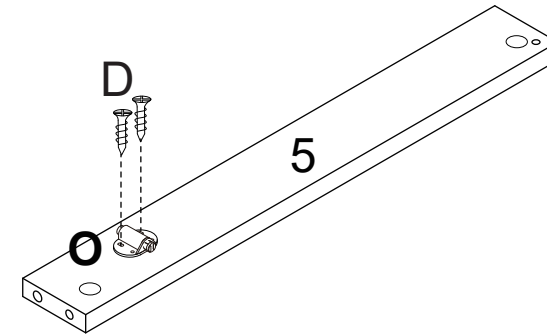


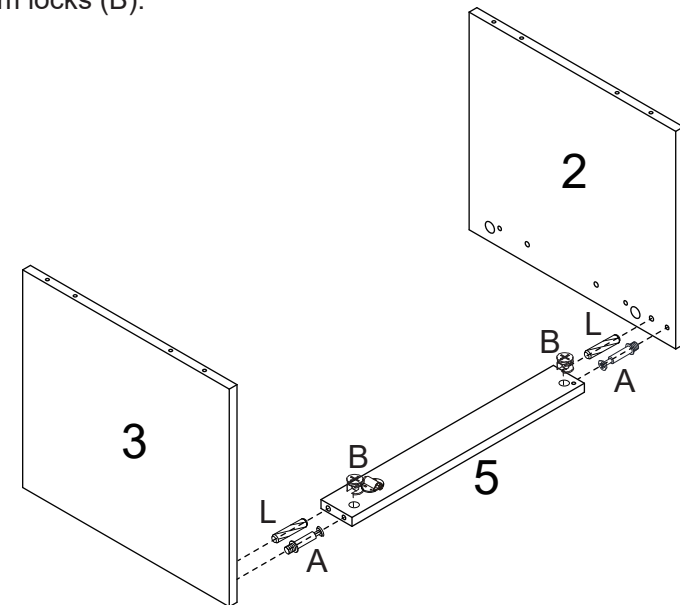
1 On piece 5, secure the Door rebound device (O) using screws (D). Use the pre-drilled holes for guidance.



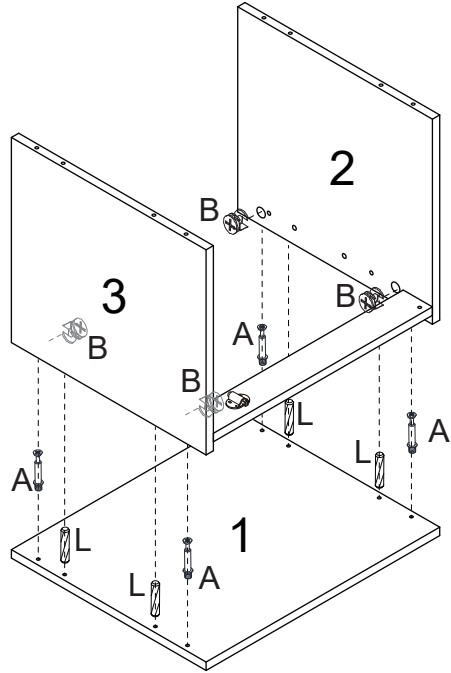
A		6 PCS
B		6 PCS
C		8 PCS
D		6 PCS
E		8 PCS
F		2 PCS
G		2 PCS
H		1 PC
I		1 PC
J		8 PCS
K		6 PCS

L		14 PCS
M		1 PC
N		2 PCS
O		1 PC
P		1 PC
Q		2 PCS
R		2 PCS
S		1 PC
T		4 PCS
W		4 PCS

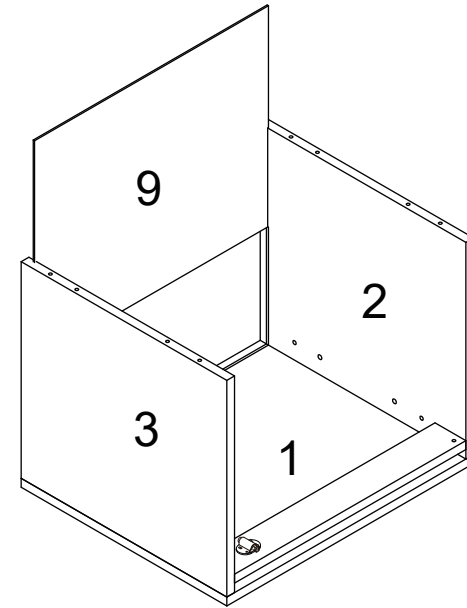
2 Attach piece 2 & 3 to piece 5 using wooden dowels (L), cam dowels (A) and cam locks (B).



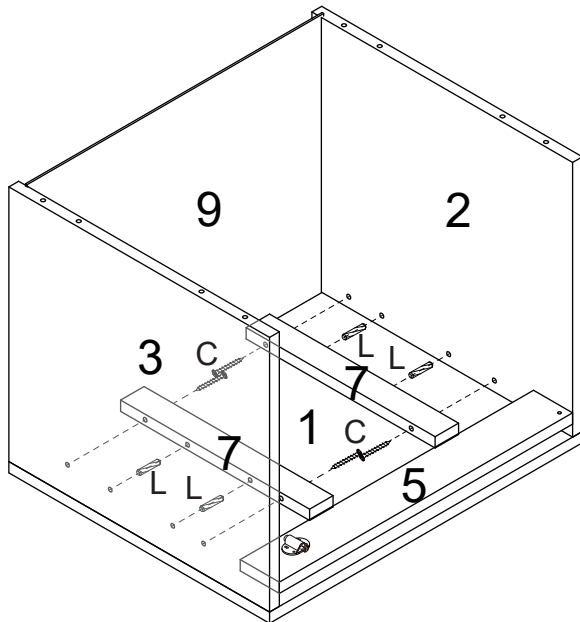
3 Then attach piece 1 using wooden dowels (L), cam dowels (A) and cam locks (B), tighten the cross dowels.



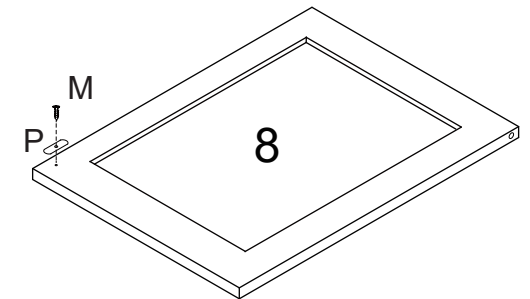
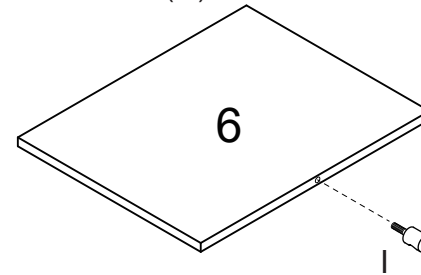
4 Slot piece 9 into the ridges.



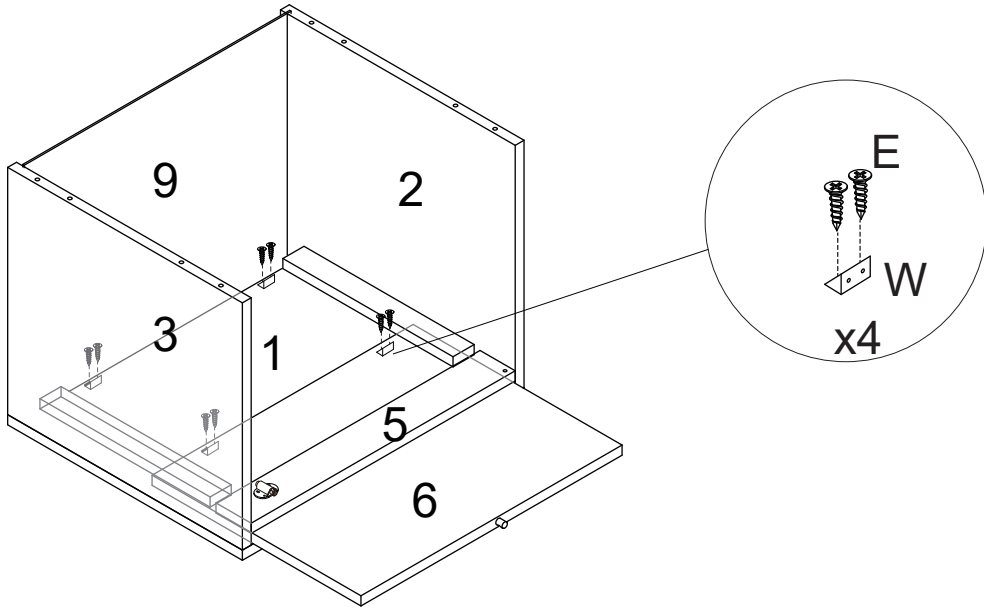
5 Attach piece 7 to piece 2 & 3 using wooden dowels (L), screw (C).



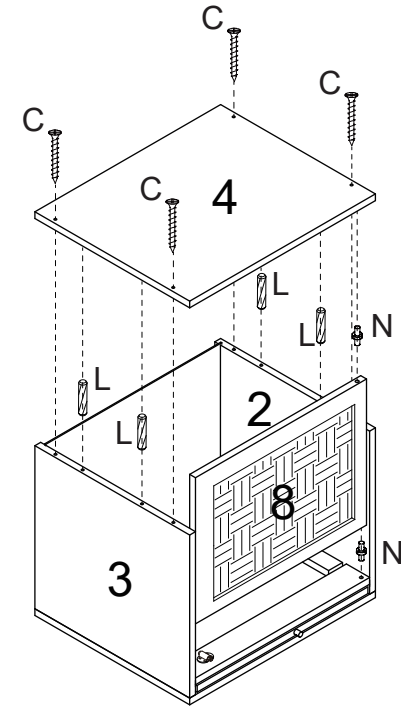
6 Attach the handle (I) to piece 6. On piece 8, attach the plates (P) using screws (M).



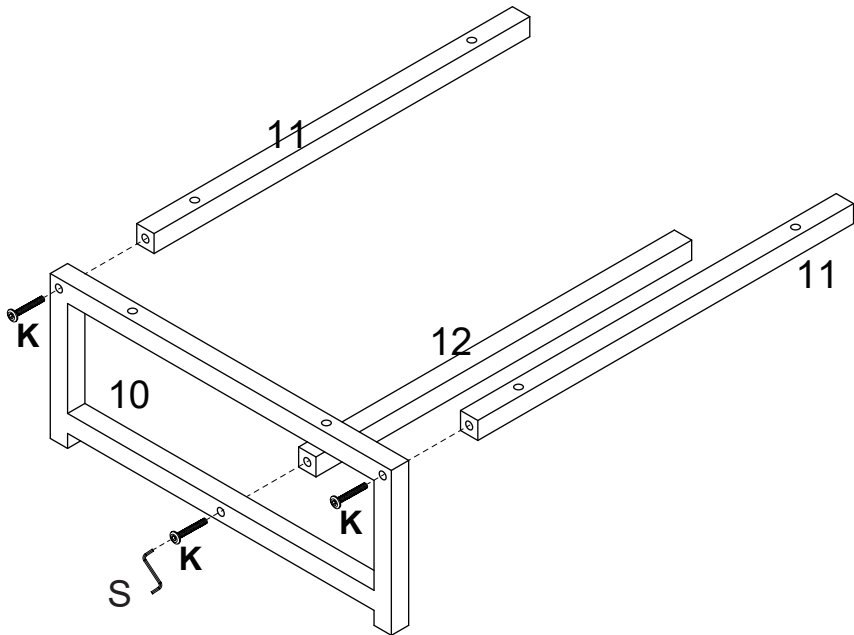
7 Put piece 6 to the space between piece 1 & 5. Attach 2 x panel stiffener (W) on piece 1 using screw (E). Attach 2 x panel stiffener (W) on bottom of piece 6 using screw (E).



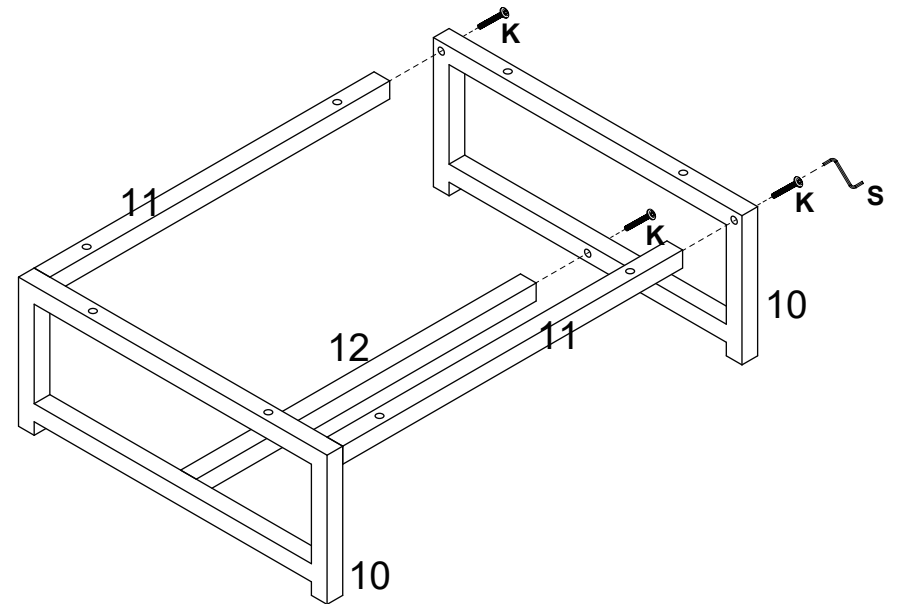
8 Attach piece 4 to the unit using wooden dowels (L) & screws (C). Connect door 8 using bar hinges (N).



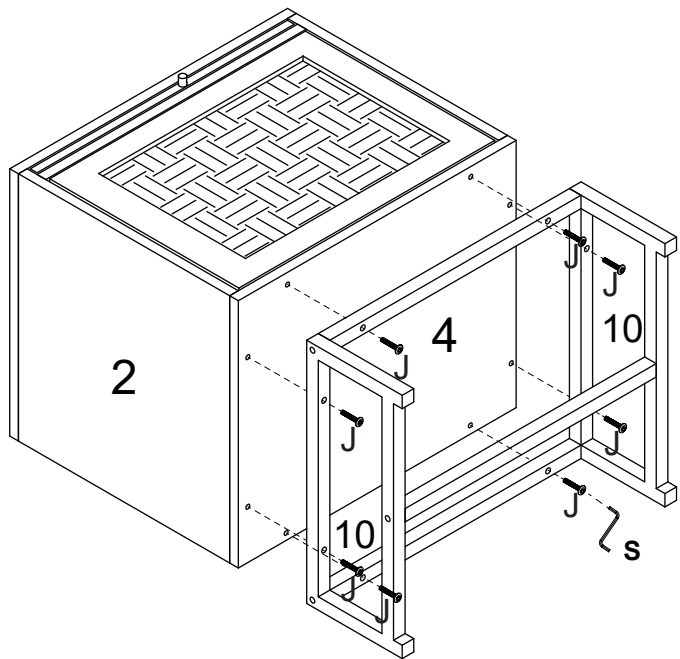
9 Attach piece 11 & 12 to piece 10 using screw (K) with tool (S).



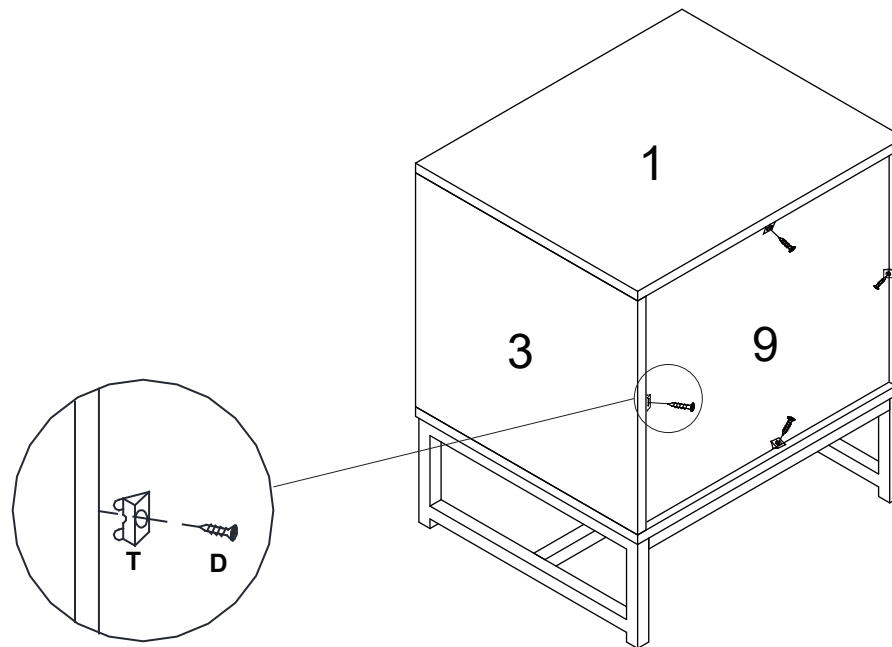
10 Attach piece 11 & 12 to piece 10 using screw (K) with tool (S).



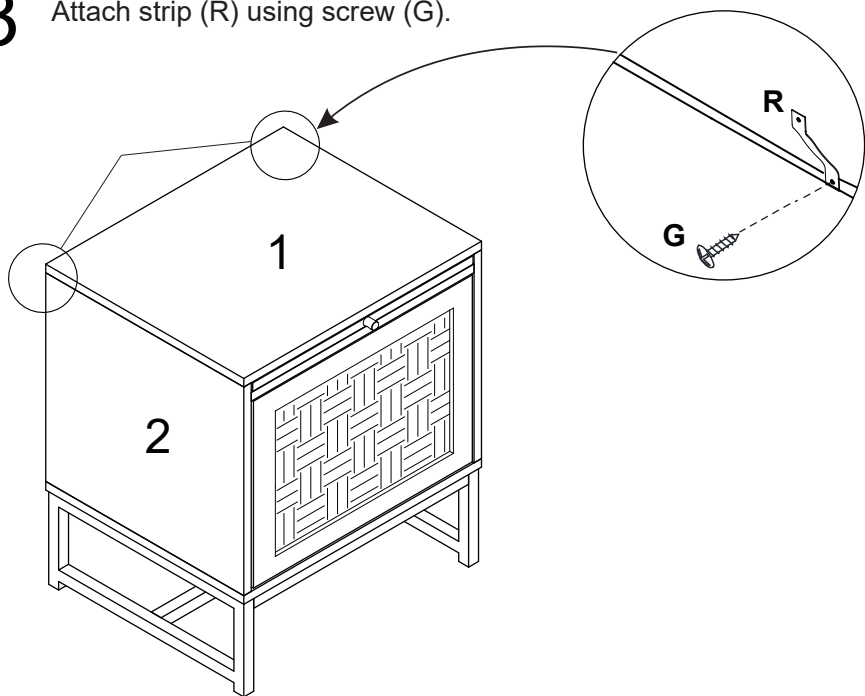
11 Attach 2 section using screw (J) with tool (S).



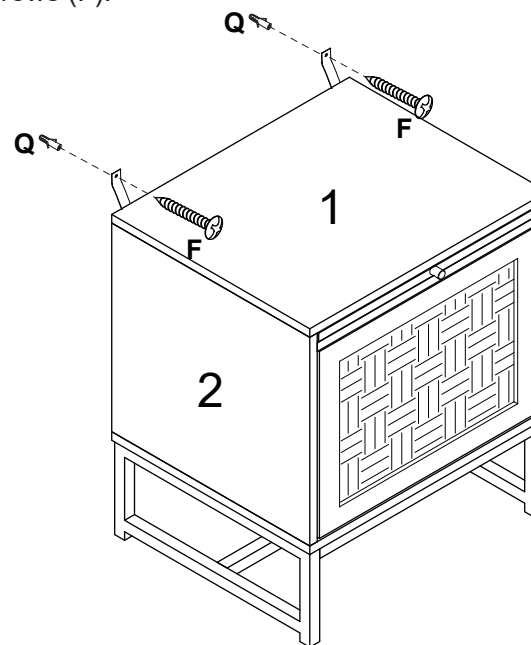
12 Attach panel stiffener (T) on piece 9 using screw (D).



13 Attach strip (R) using screw (G).



14 Secure the unit to a wall in your chosen location using wall plugs (Q) and screws (F).



15 The unit should now be assembled and ready to use.

