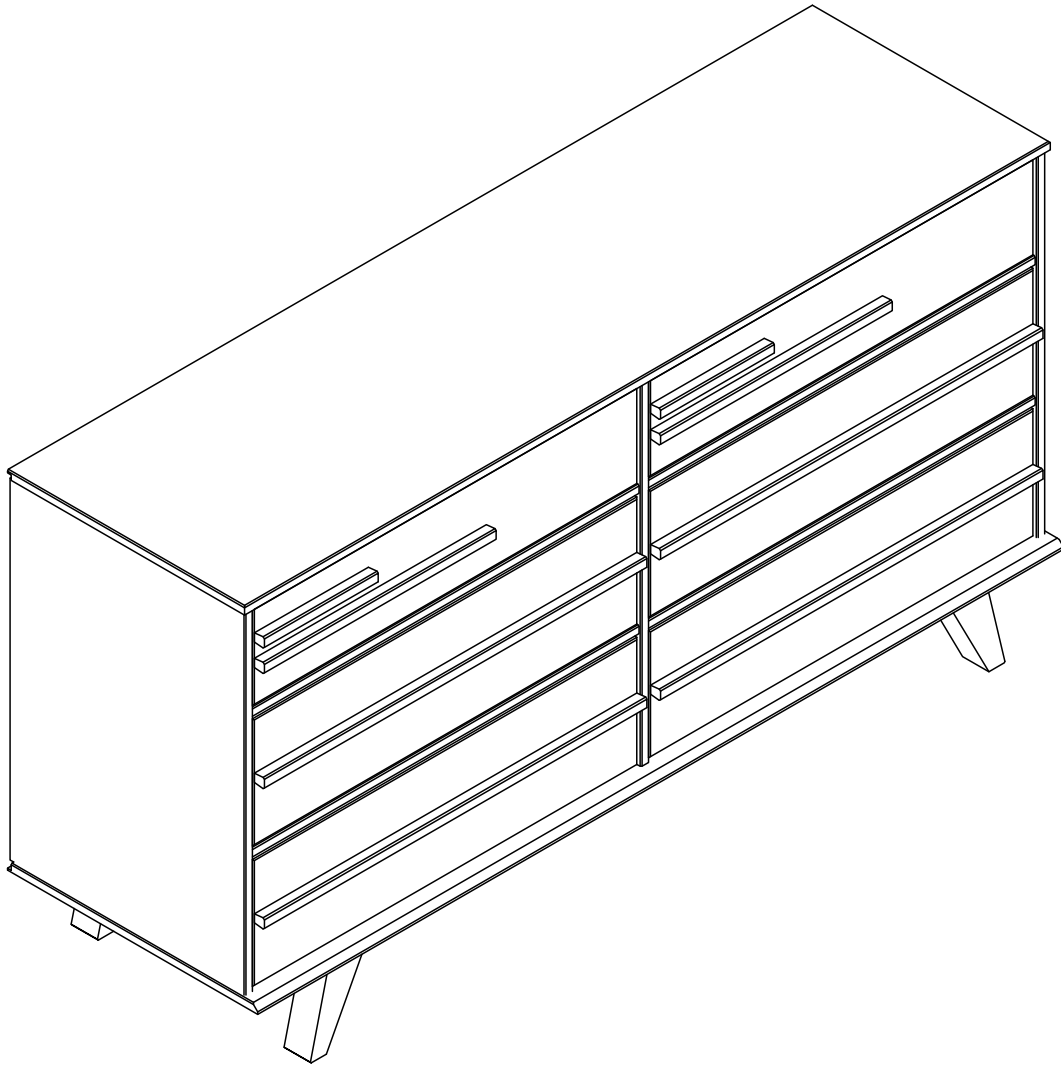


Item: BR6DREBDR-T

Assembly Instructions

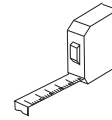
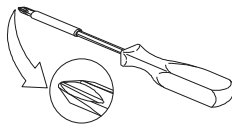
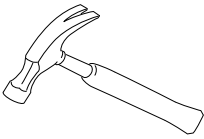


Please visit our website for the most current instructions, assembly tips, to report damage or request parts. www.walkeredison.com

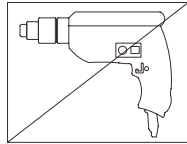
Revised 11/2023-V1

General assembly guidelines

- I. Ensure that all parts and hardware are available before beginning assembly.
- II. Follow each step carefully to ensure the proper assembly of this product.
- III. Two people are recommended for ease in the assembly of this product.
- IV. The three main types of hardware used to assemble this product are wood dowels, screws and bolts.
- V. A phillips head screwdriver, hammer and tape measure is required for the assembly of this product.



- VI. Power tools should not be used to assemble this product.



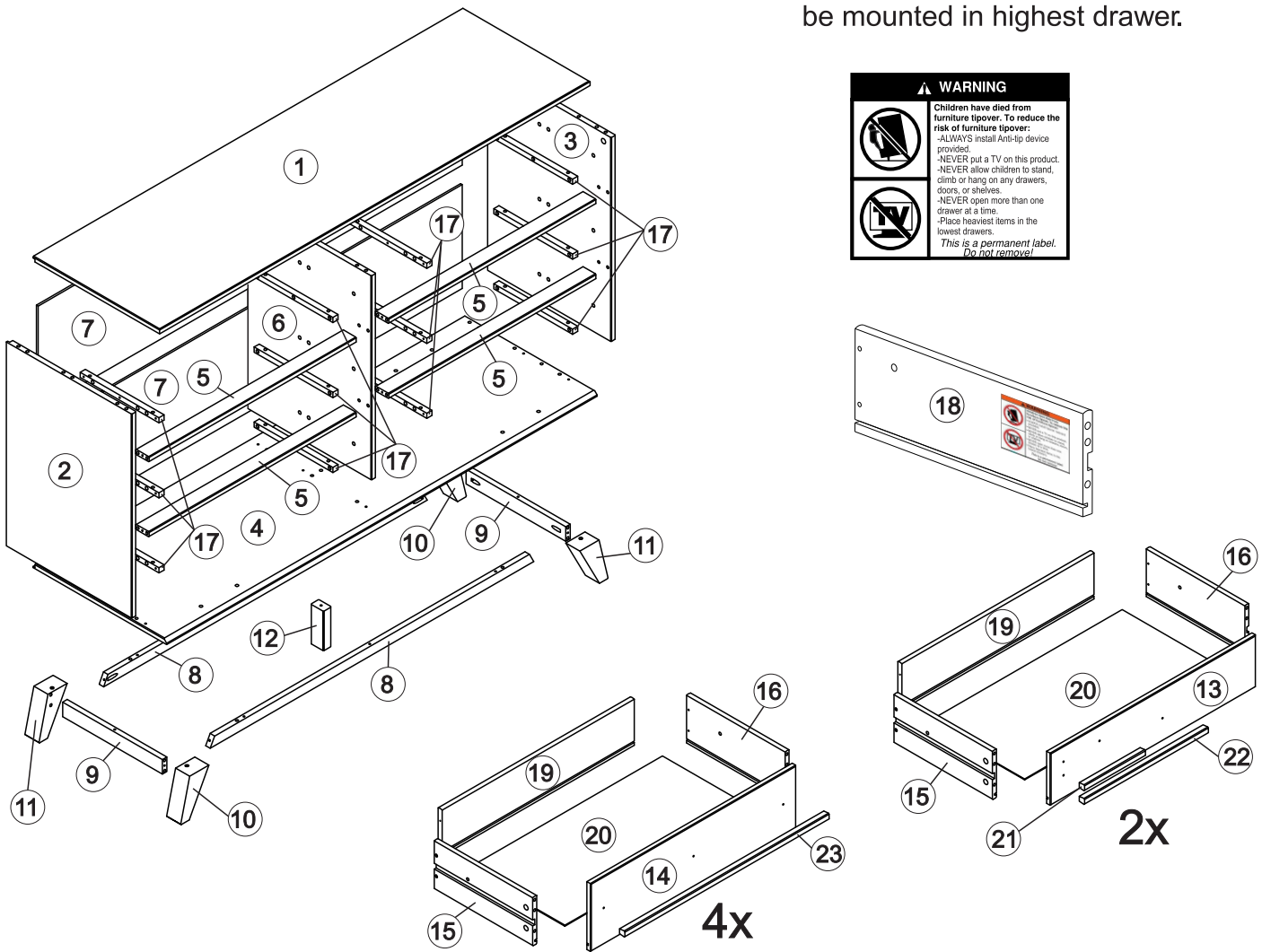
VII. Maintenance Guide

To maintain long term performance and easy gliding of your solid wood drawers, we recommend applying wax to the wooden guide rails.

1. Bee's wax is recommended or Paraffin wax from a standard candle can be used.
2. Apply the wax by rubbing it on the wooden guide rails where there is wood-on-wood contact when opening and closing the drawer. (Wax should be room temperature, do not melt the wax onto the wood)
3. Wax should be applied every few months for the first year and then only when needed after that to keep the drawers sliding smoothly.

Parts List

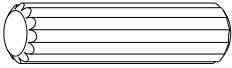
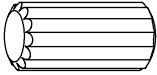



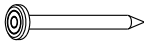
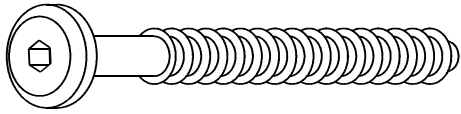

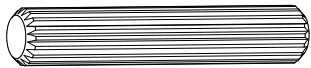
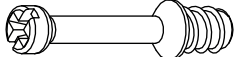

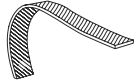

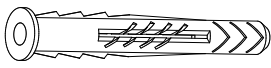



The side drawer with WARNING LABEL, should be mounted in highest drawer.

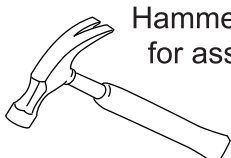


Part #	Description	Qty
1	Top panel	01 pc
2	Left side panel	01 pc
3	Right side panel	01 pc
4	Base	01 pc
5	Front rail	04 pcs
6	Division	01 pc
7	Back panel	02 pcs
8	Front foot rail	02 pcs
9	Side foot rail	02 pcs
10	Left foot	02 pcs
11	Right foot	02 pcs

Part #	Description	Qty
12	Center foot	01 pc
13	Small drawer front	02 pcs
14	Large drawer front	04 pcs
15	Left drawer side	06 pcs
16	Right drawer side	05 pcs
17	Wood Slider	12 pcs
18	Right drawer side with Warning	01 pc
19	Drawer back	06 pcs
20	Drawer bottom	06 pcs
21	Small drawer handle	02 pcs
22	Drawer handle	02 pcs
23	Large drawer handle	04 pcs

Hardware List

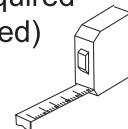
A		Ø8*30mm	Wooden dowel	72 pcs
B		Ø10*20mm	Wooden dowel	36 pcs
C		Ø4,0*25mm	Screw	56 pcs
D		Ø3,5*30mm	Screw	40 pcs
E		Ø4,0*40mm	Screw	17 pcs
F		Ø10*10mm	Nail	36 pcs
G		Ø7,0*60mm	Screw	05 pcs
H		4mm	Hex Key	01 pc
I		Ø8*40mm	Wooden dowel	12 pcs
J		Ø15*30mm	Cam bolt	33 pcs
K		Ø15*10mm	Cam lock	33 pcs
L			Wall anchor	01 pc
M			Washer	02 pcs
N		Ø6*35mm		01 pc
O		Ø4*16mm	Screw	01 pc
P		Ø4,0*40mm	Screw	01 pc
Q		1483mm	"H" Profile	01 pc



Hammer recommended for assembly (not included)



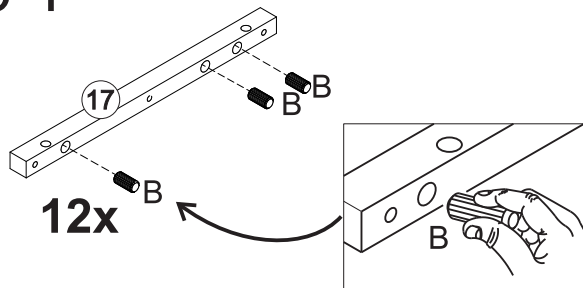
Phillips head screwdriver required for assembly (not included)



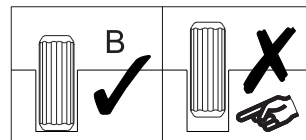
Tape measure required for assembly (not included)

The hardware quantities listed above are required for proper assembly. Some extra hardware may also have been included.

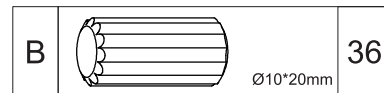
Step 1



Attention to the
dowel size:
ø10*20mm

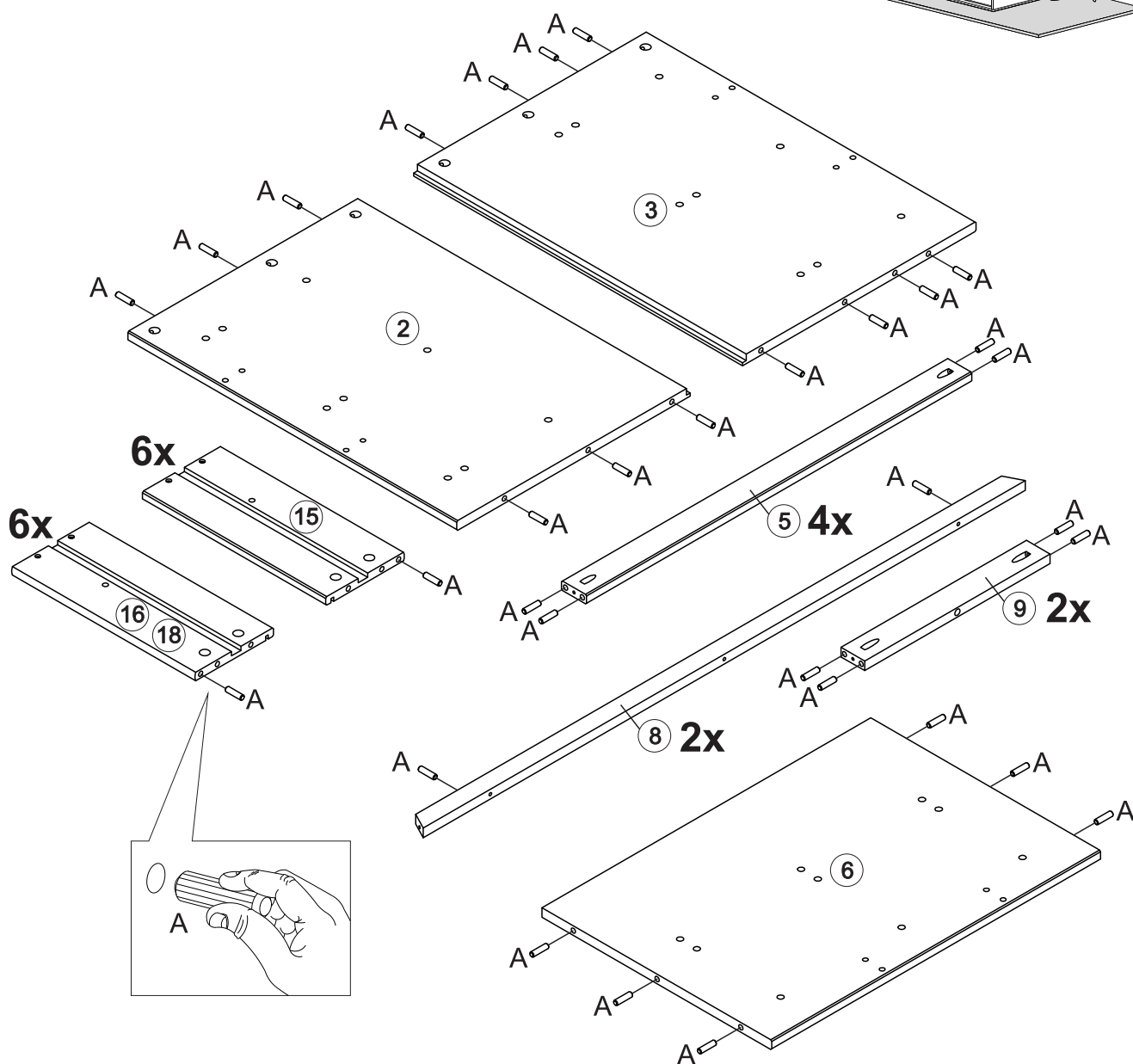


Insert wood dowel (B) into part 17.

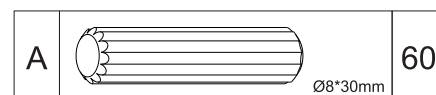


Step 2

Please assemble on
a clean soft surface
to avoid damage.

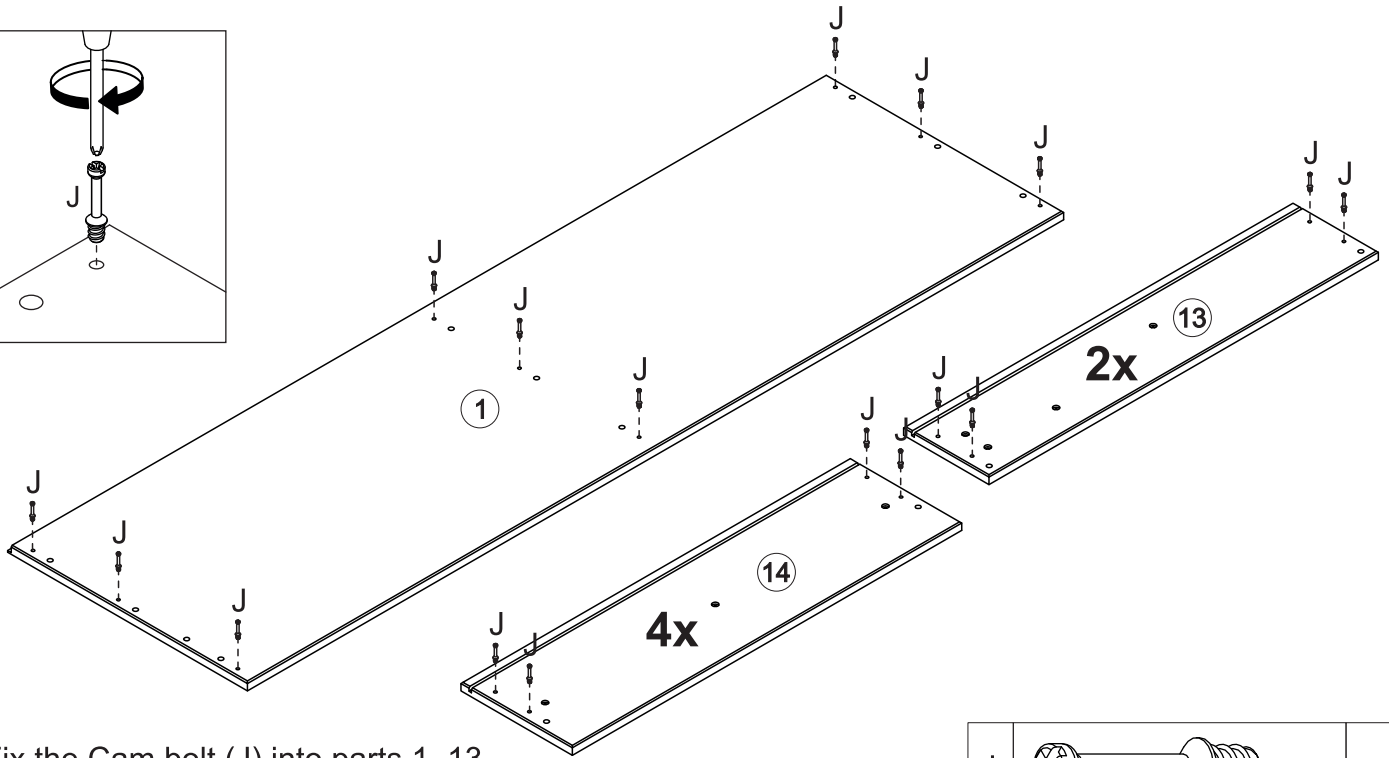
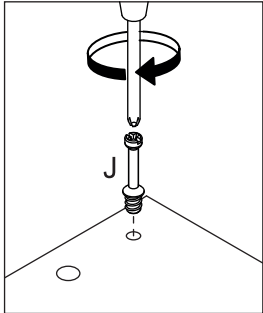
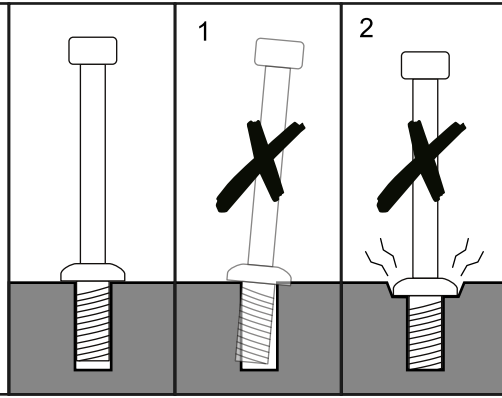


Insert wood dowel (A) into parts 2, 3, 5, 6, 8, 9, 15, 16 and 18

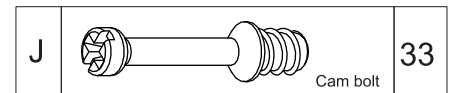


Step 3

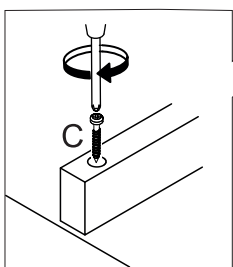
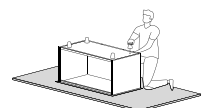
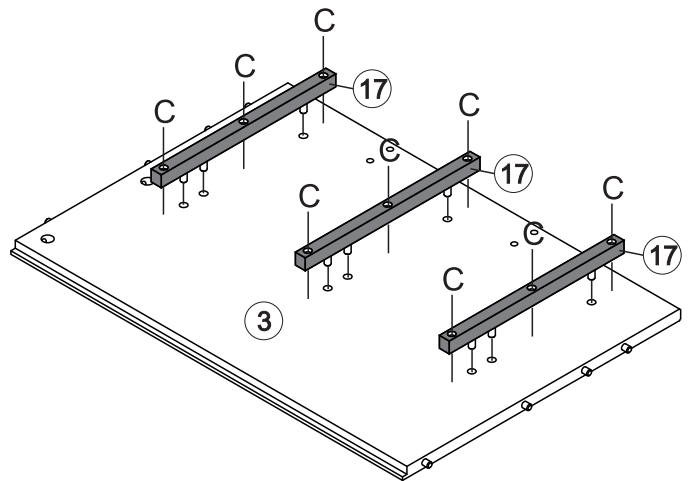
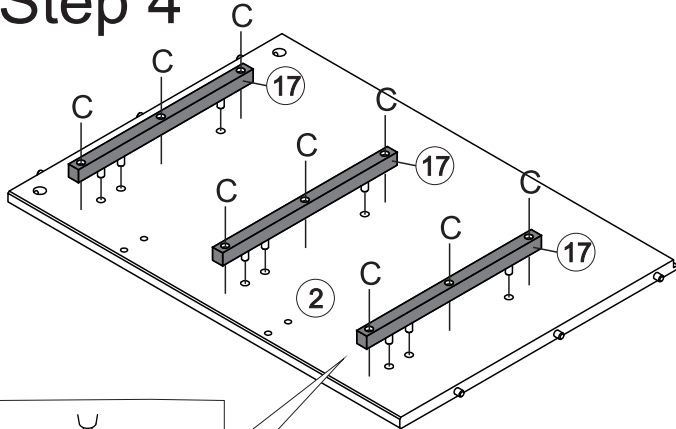
1 - Ensure cam bolt is installed straight and not at an angle.
 2 - Tighten cam bolt until shoulder on cam bolt is flush. Do not over-tighten.



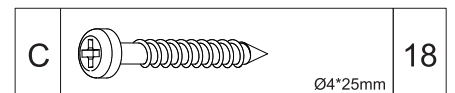
Fix the Cam bolt (J) into parts 1, 13 and 14 using a Phillips head screwdriver.



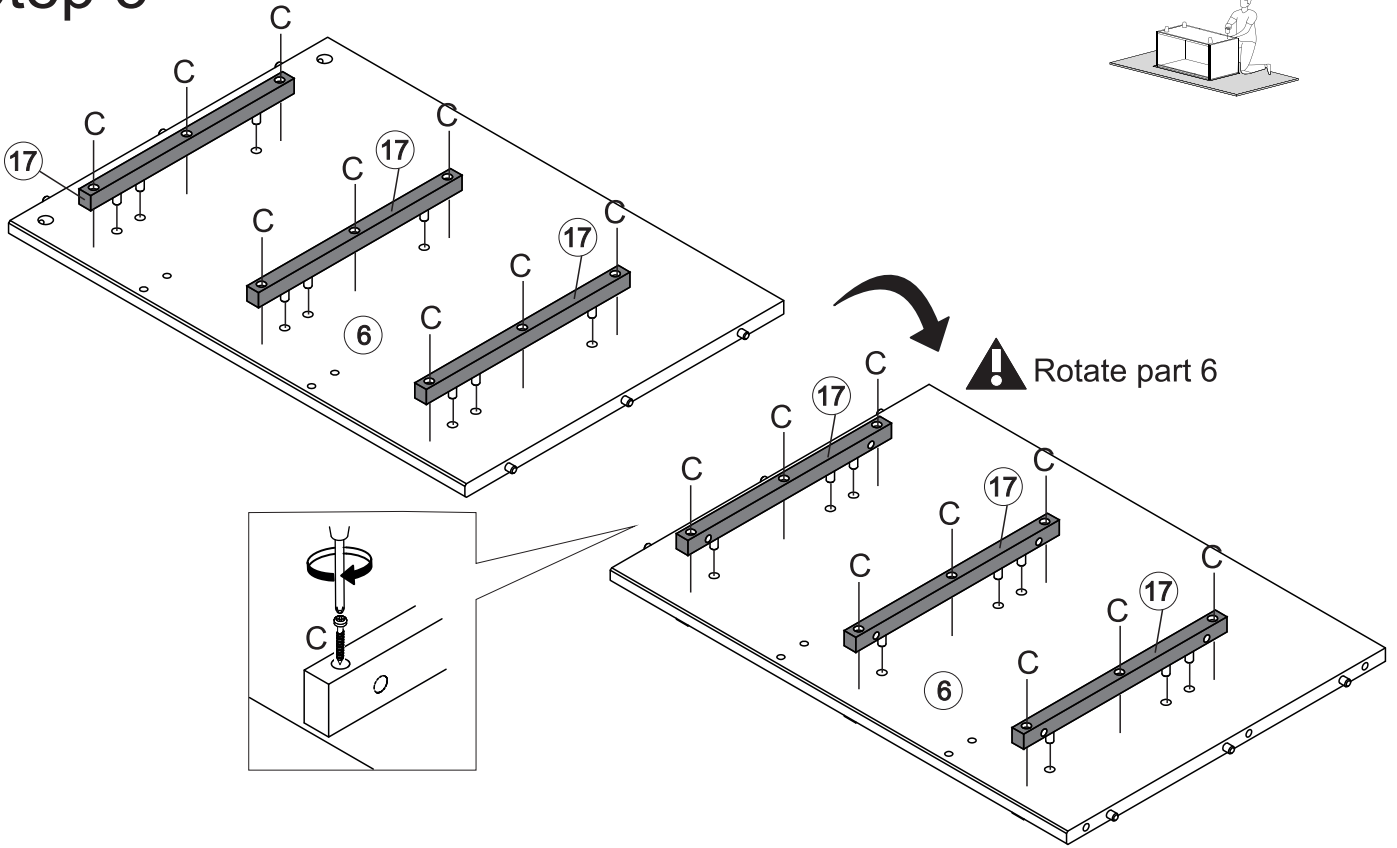
Step 4



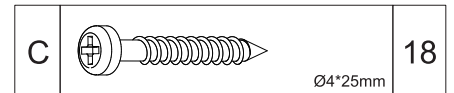
Secure part 17 to parts 2 and 3 with screw (C) and Phillips head screwdriver.



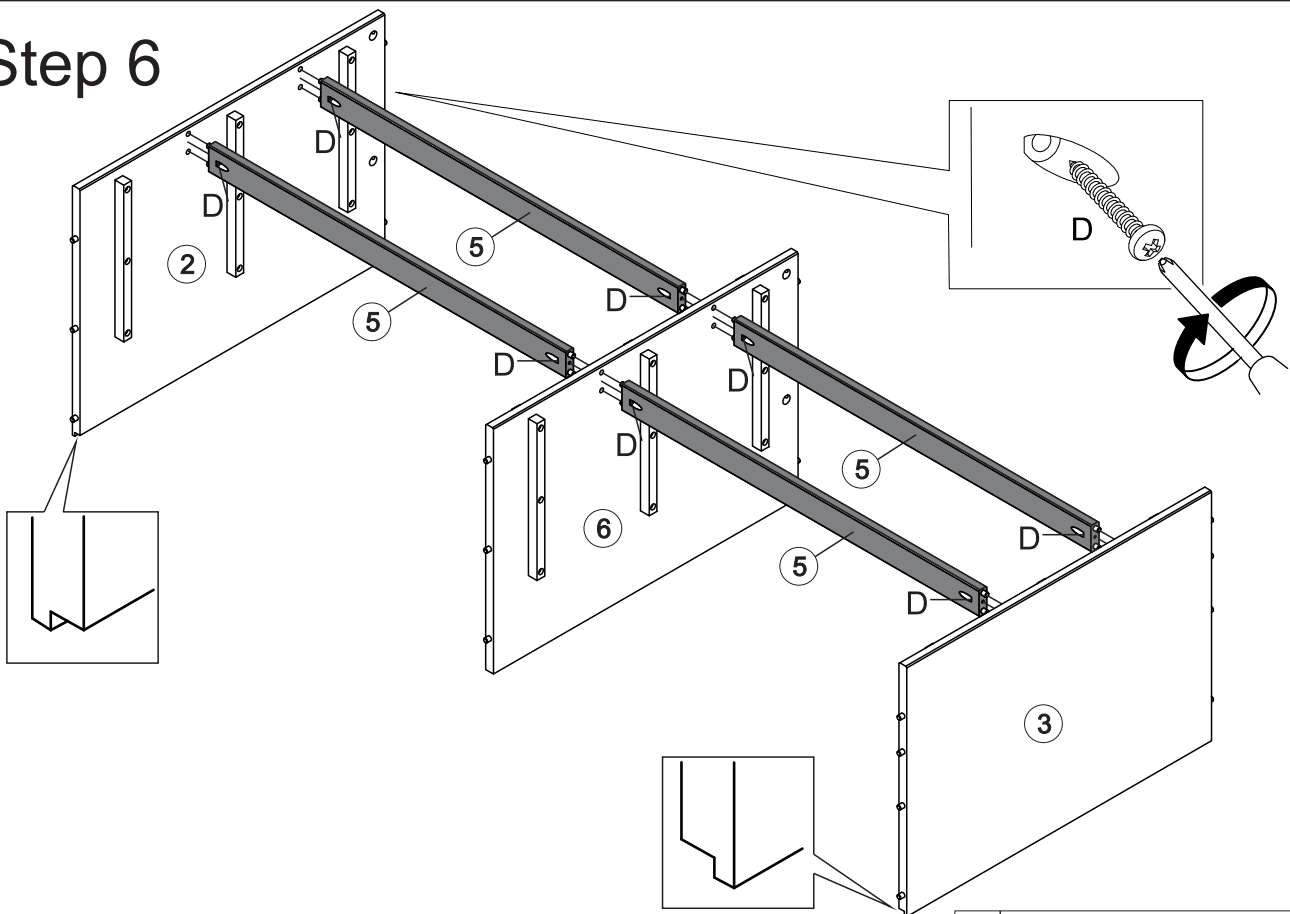
Step 5



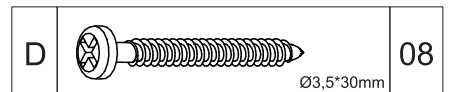
Secure part 17 to part 6 with screw (C) and Phillips head screwdriver.



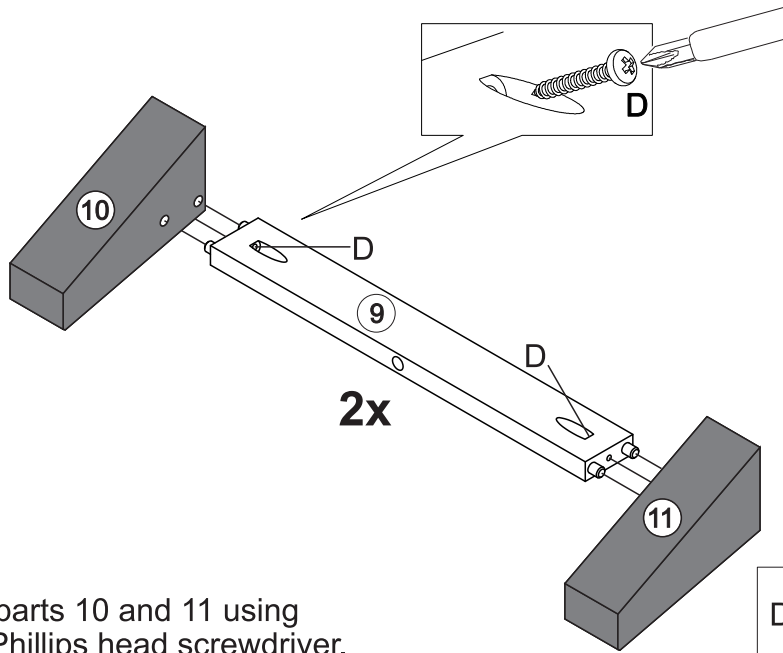
Step 6



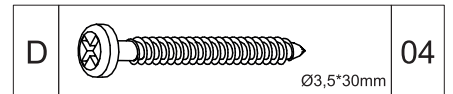
Attach parts 5 to parts 2, 3 and 6, using screws (D) and Phillips head screwdriver.



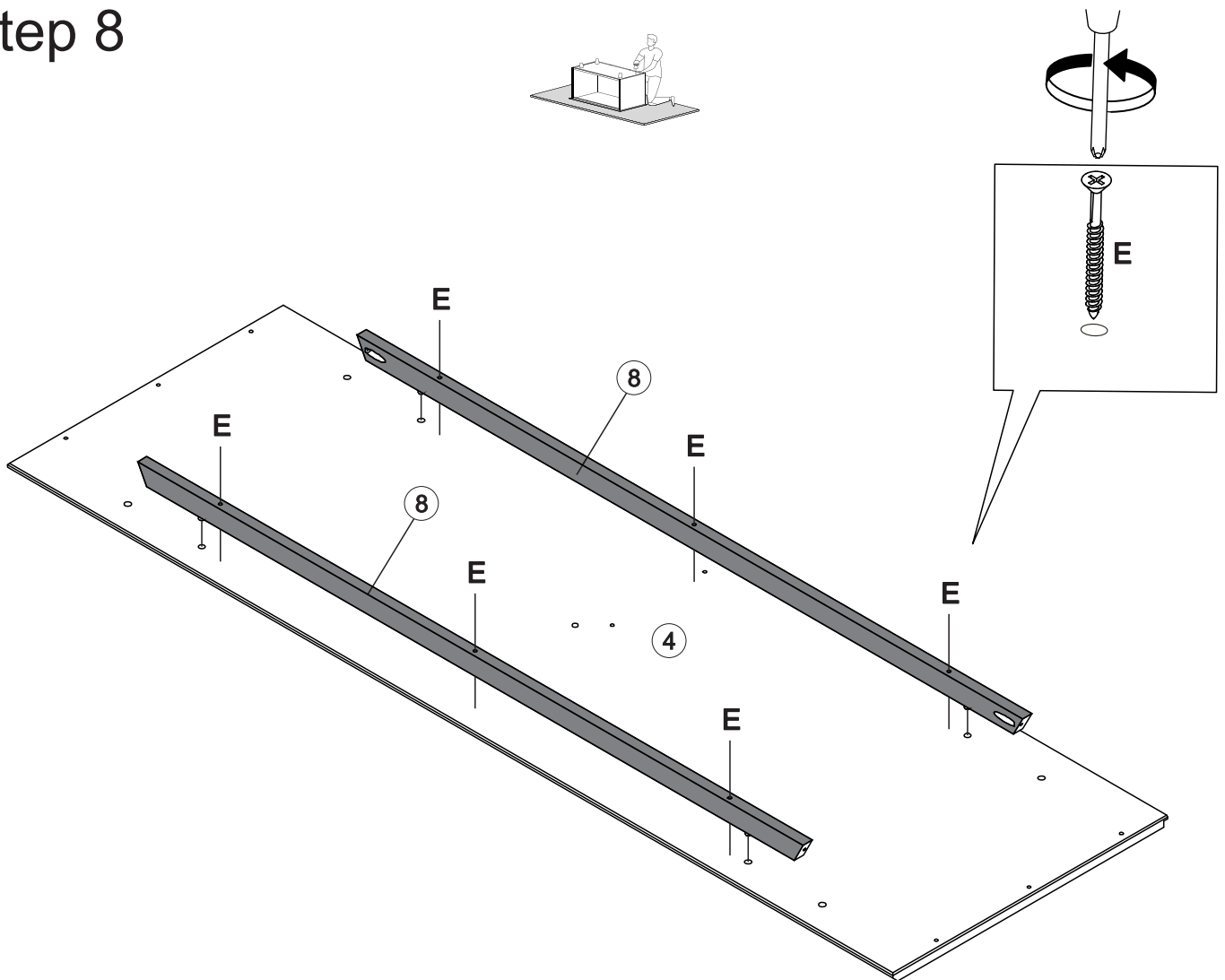
Step 7



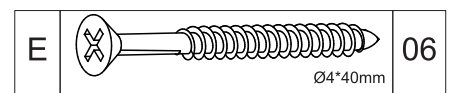
Attach part 9 to parts 10 and 11 using screw (D) and Phillips head screwdriver.



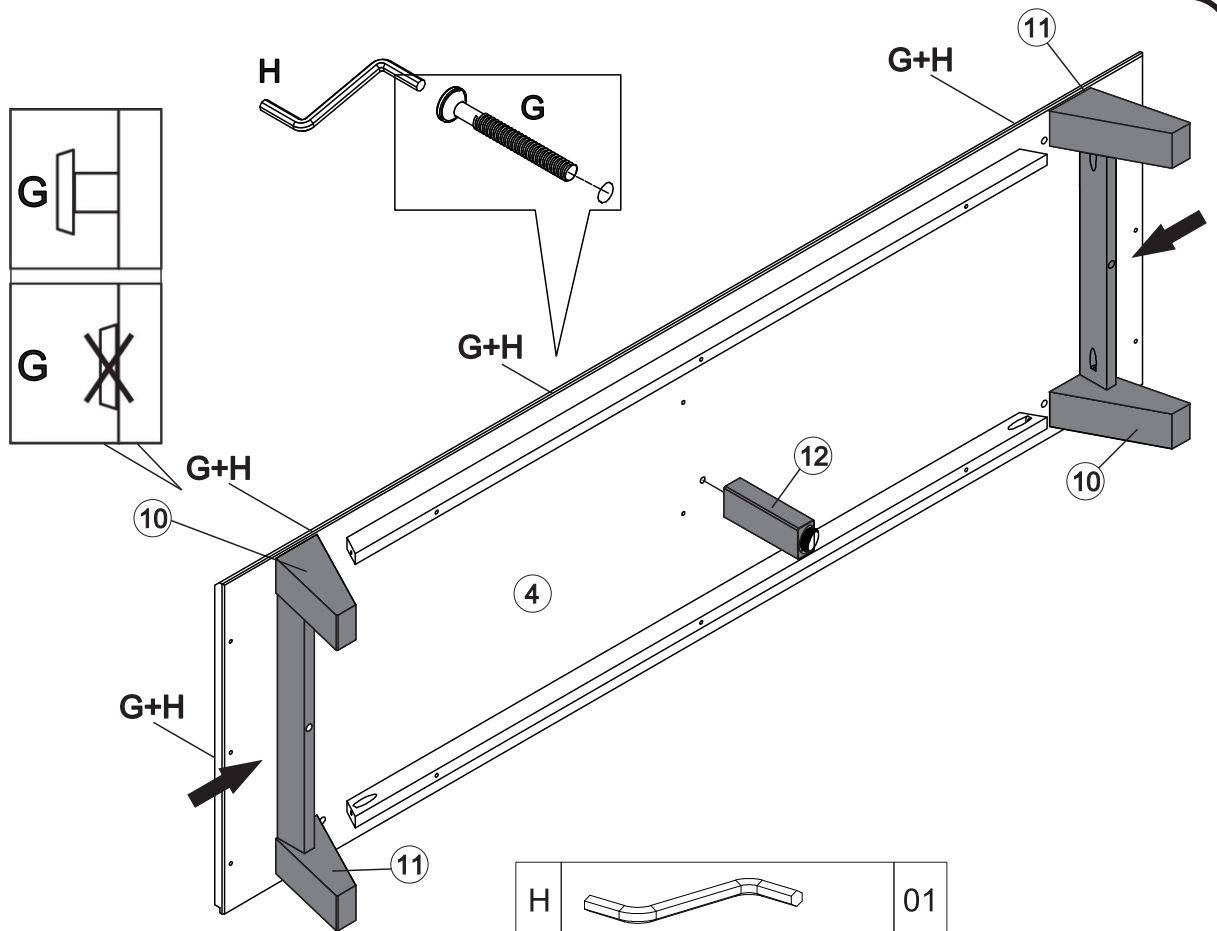
Step 8



Attach part 8 to part 4 using screw (E) and Phillips head screwdriver.

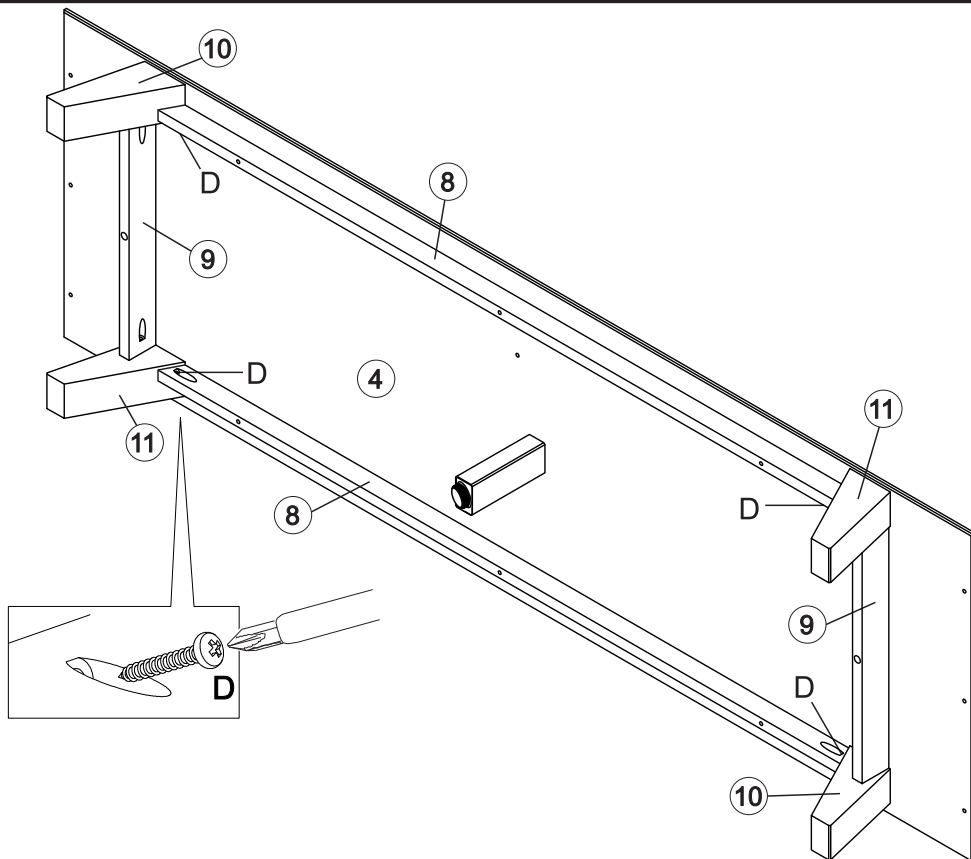


Step 9



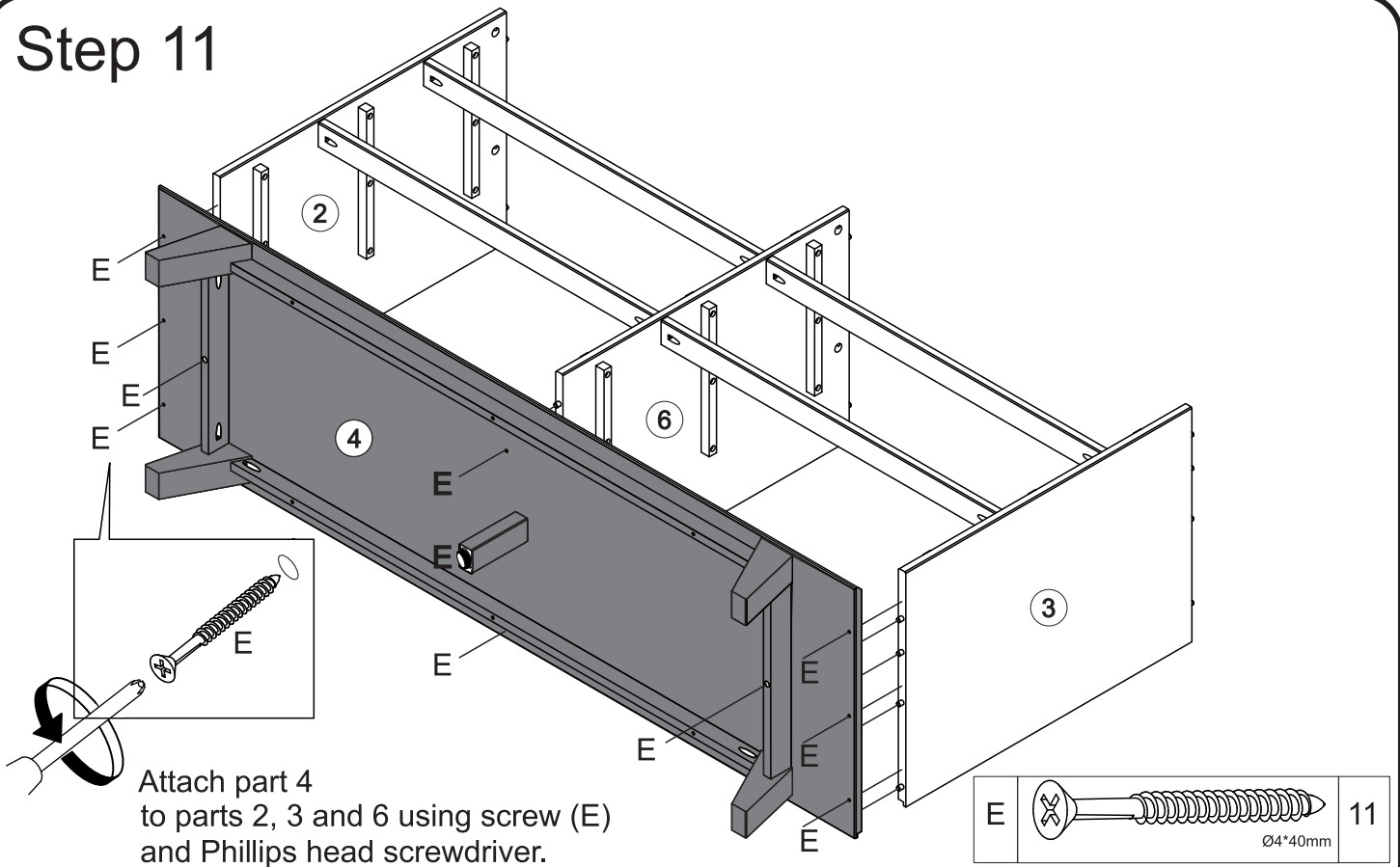
Attach legs and center foot 12 to base 4 using the screw (G) and the hex key (H). Leave screws (G) loose for future steps.

Step 10

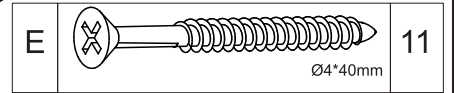


Attach part 8 to parts 10 and 11 using screw (D) and Phillips head screwdriver.

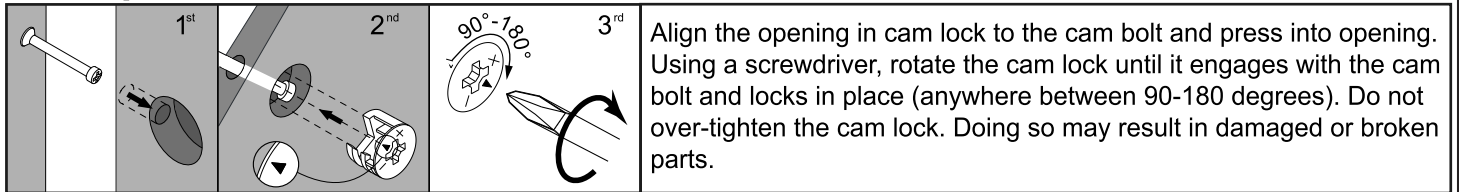
Step 11



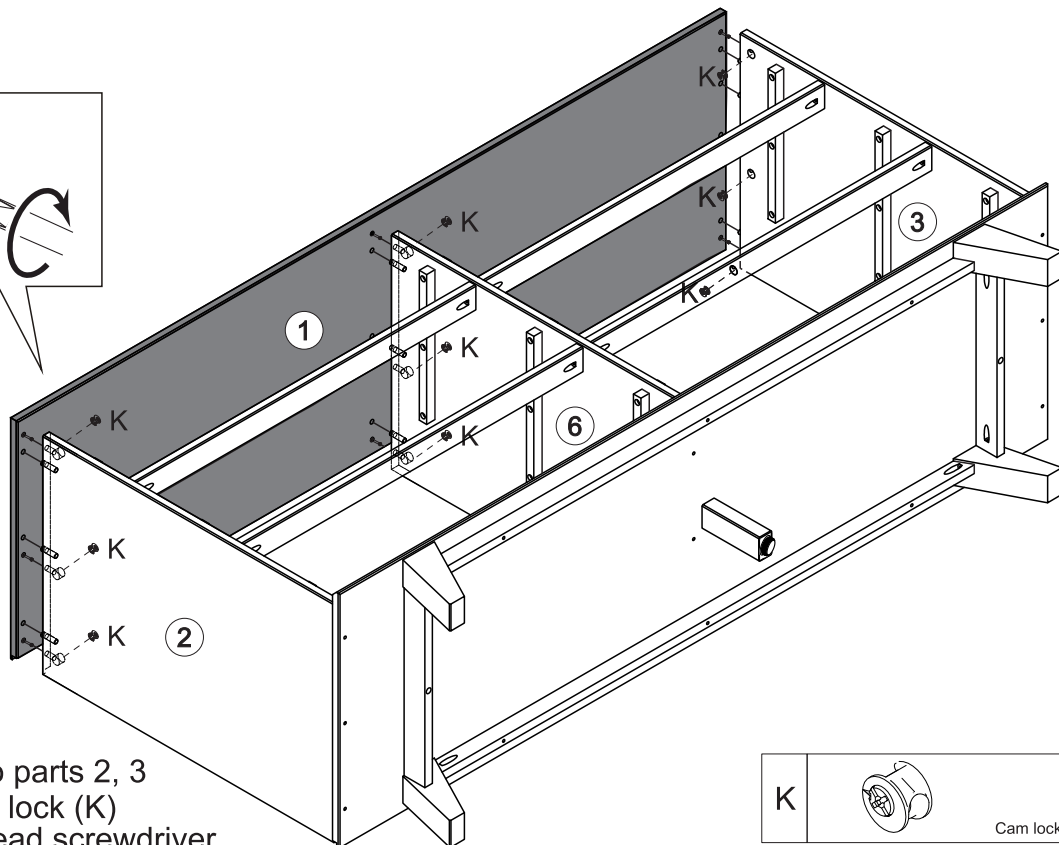
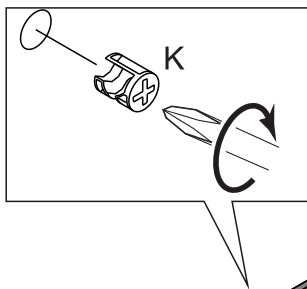
Attach part 4 to parts 2, 3 and 6 using screw (E) and Phillips head screwdriver.



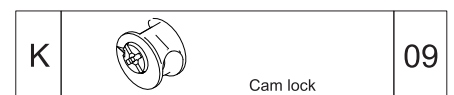
Step 12



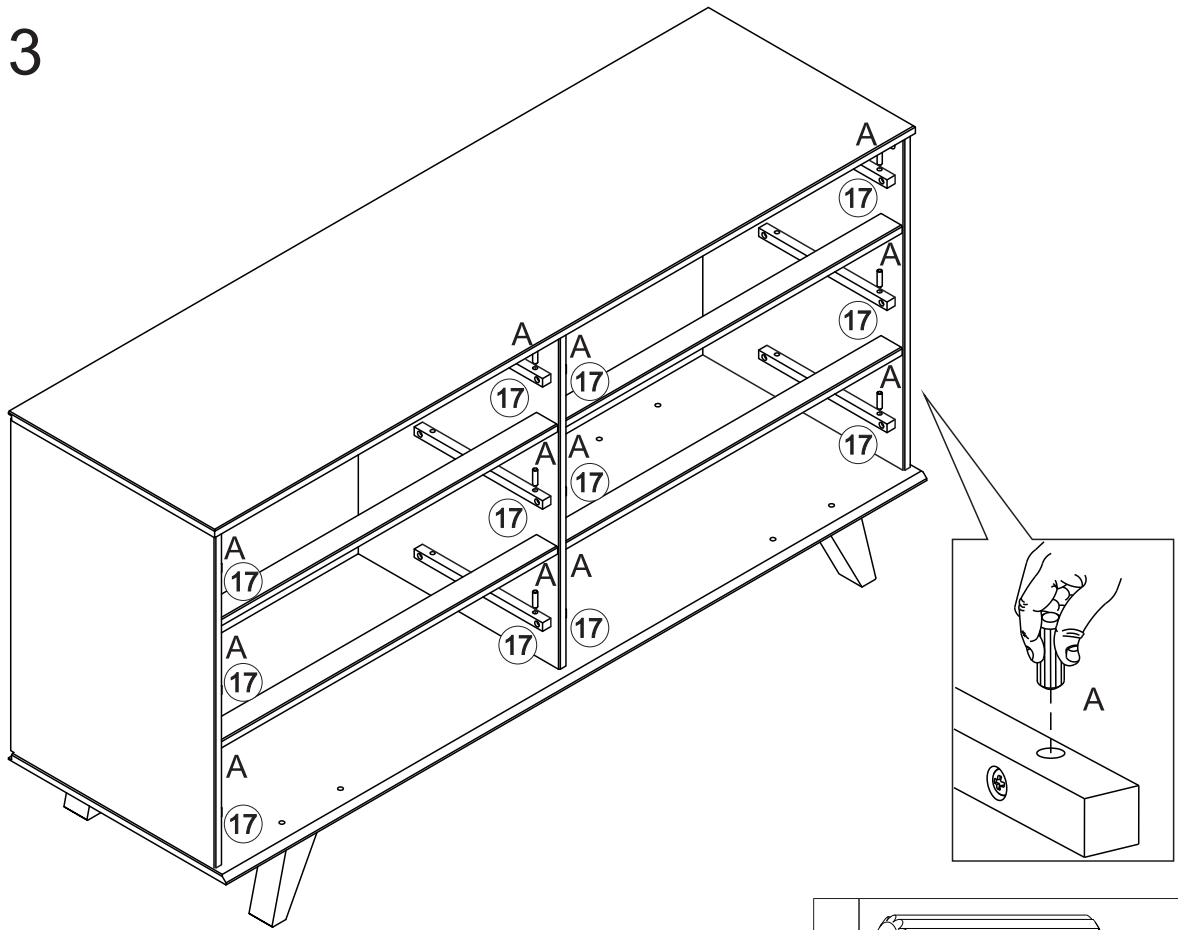
Align the opening in cam lock to the cam bolt and press into opening. Using a screwdriver, rotate the cam lock until it engages with the cam bolt and locks in place (anywhere between 90°-180°). Do not over-tighten the cam lock. Doing so may result in damaged or broken parts.



Secure part 1 to parts 2, 3 and 6 with Cam lock (K) using Phillips head screwdriver.



Step 13

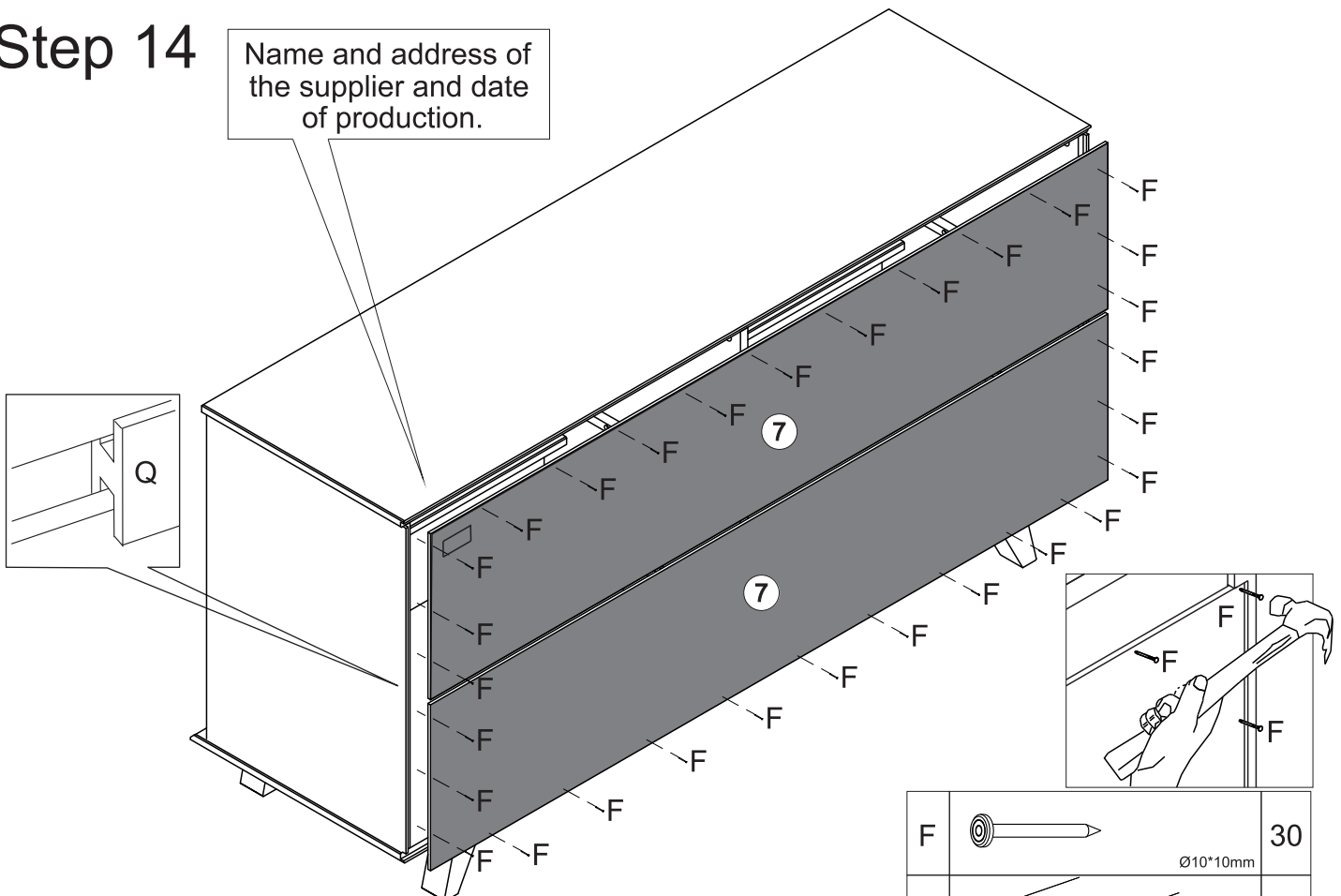


Insert wood dowel (A) into parts 17.

A		12
<small>Ø8*30mm</small>		

Step 14

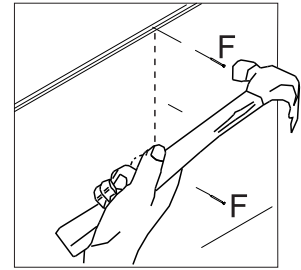
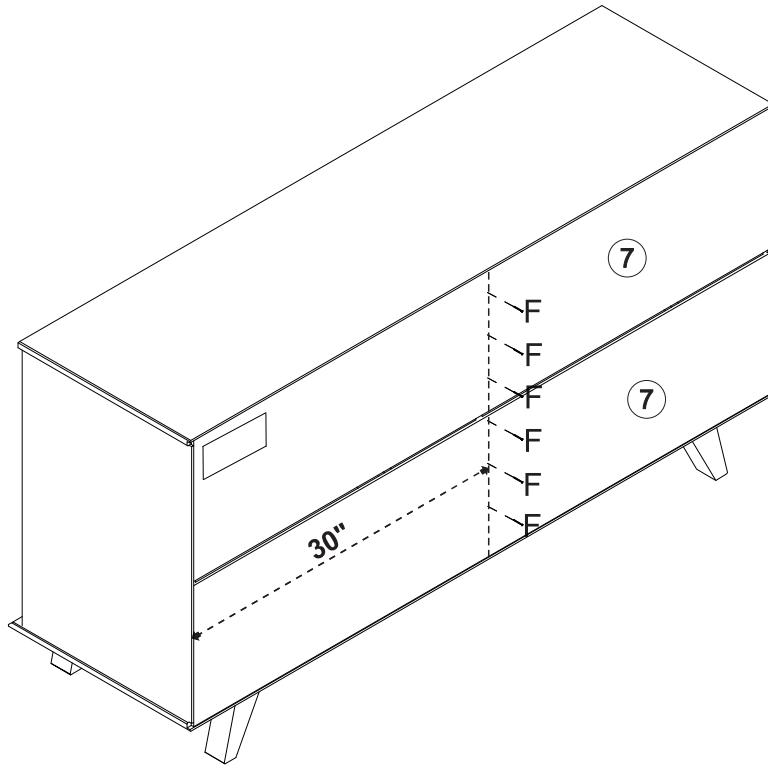
Name and address of the supplier and date of production.



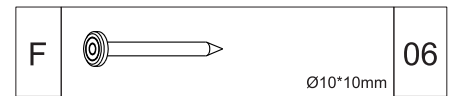
Secure back panel 7 and hardware (Q) to body with nails (F) and hammer.

F		30
<small>Ø10*10mm</small>		
Q		01

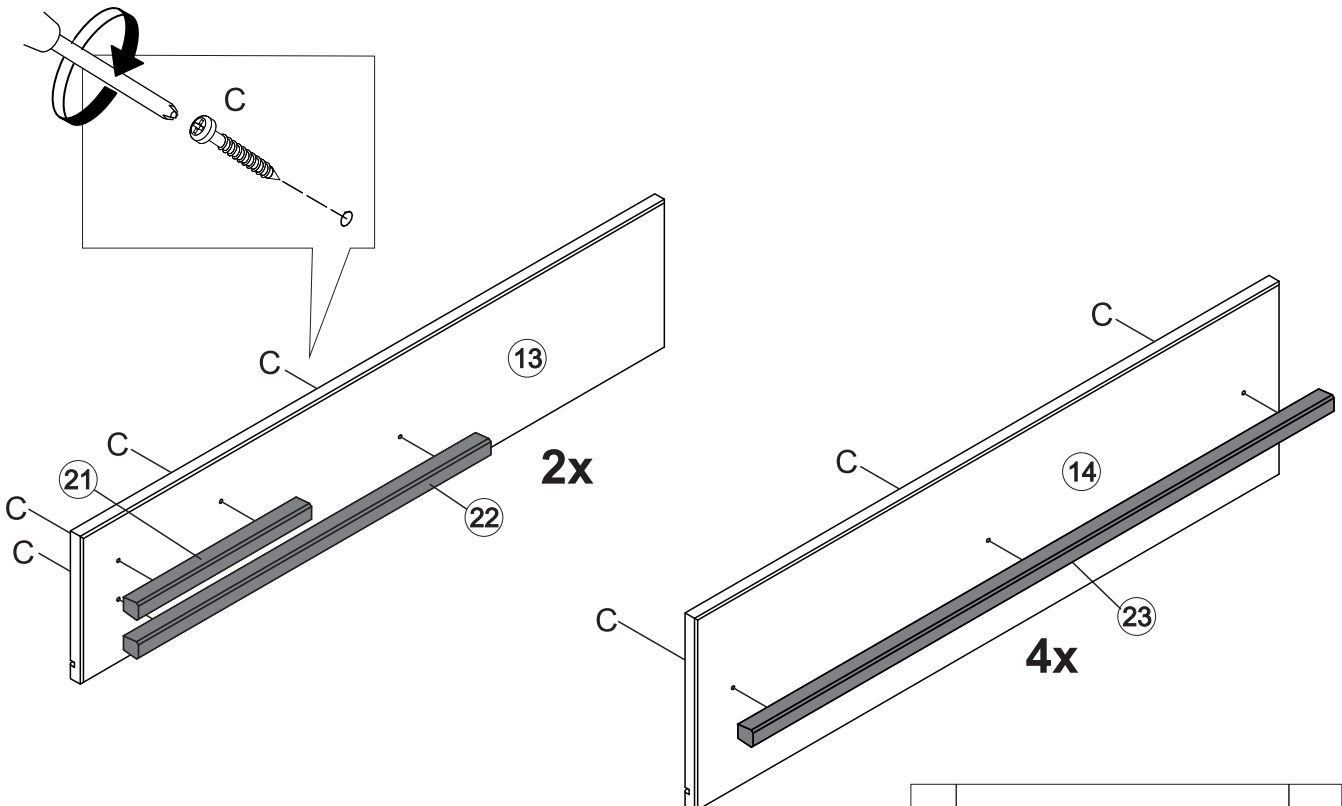
Step 15



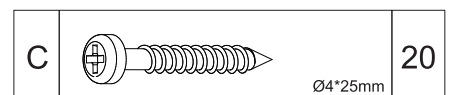
Secure back panel 7 to body with nails (F) and hammer.



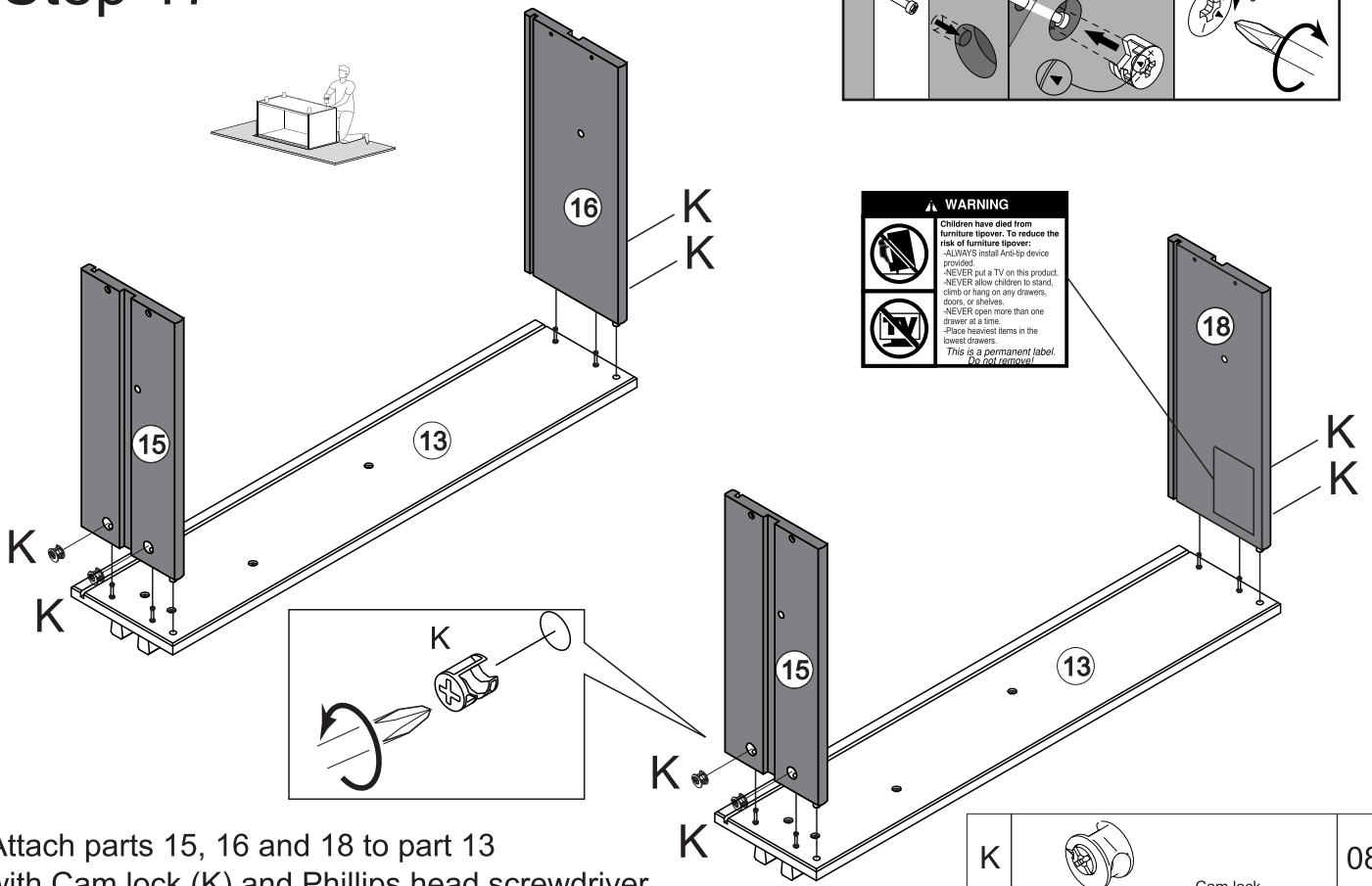
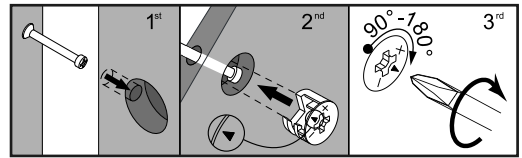
Step 16



Attach part 13 to parts 21 and 22, and part 14 to part 23 with screws (C) and Phillips head screwdriver.

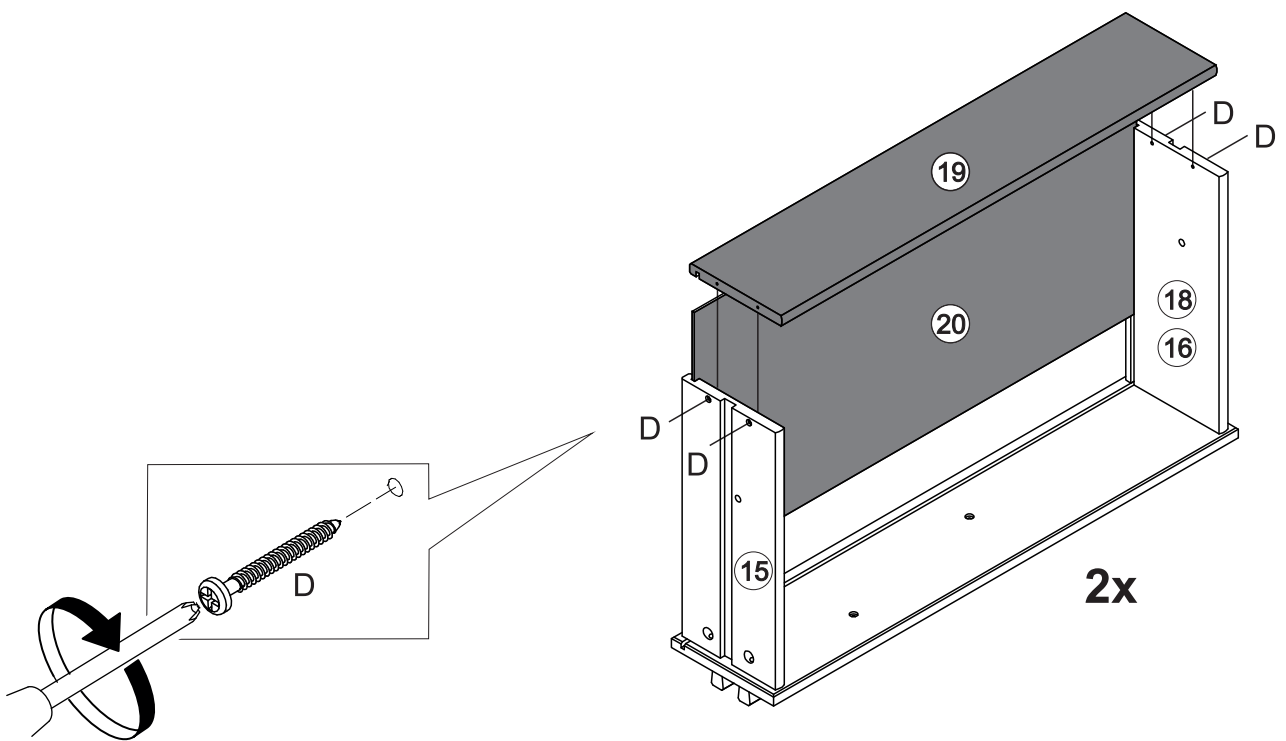


Step 17

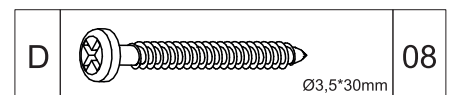


Attach parts 15, 16 and 18 to part 13 with Cam lock (K) and Phillips head screwdriver.

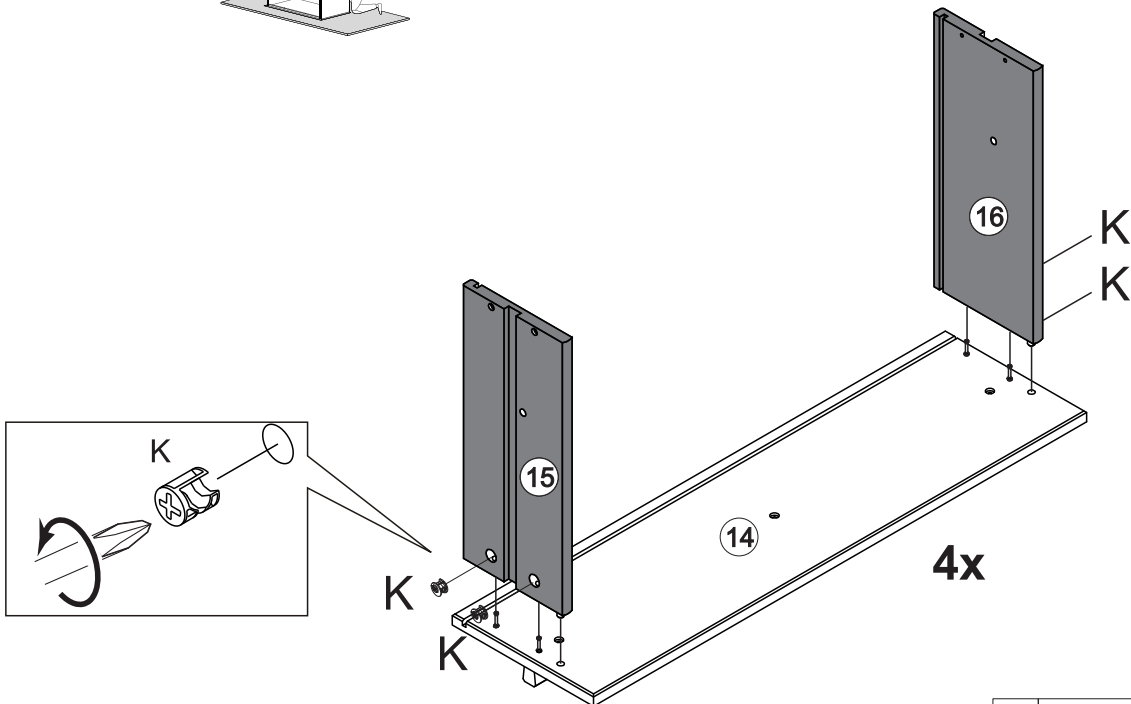
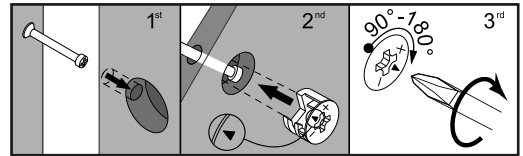
Step 18



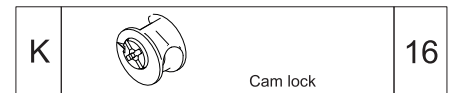
Insert part 20 between parts 15 and 16/18. Attach part 19 to parts 15 and 16/18 with screws (D), and Phillips head screwdriver.



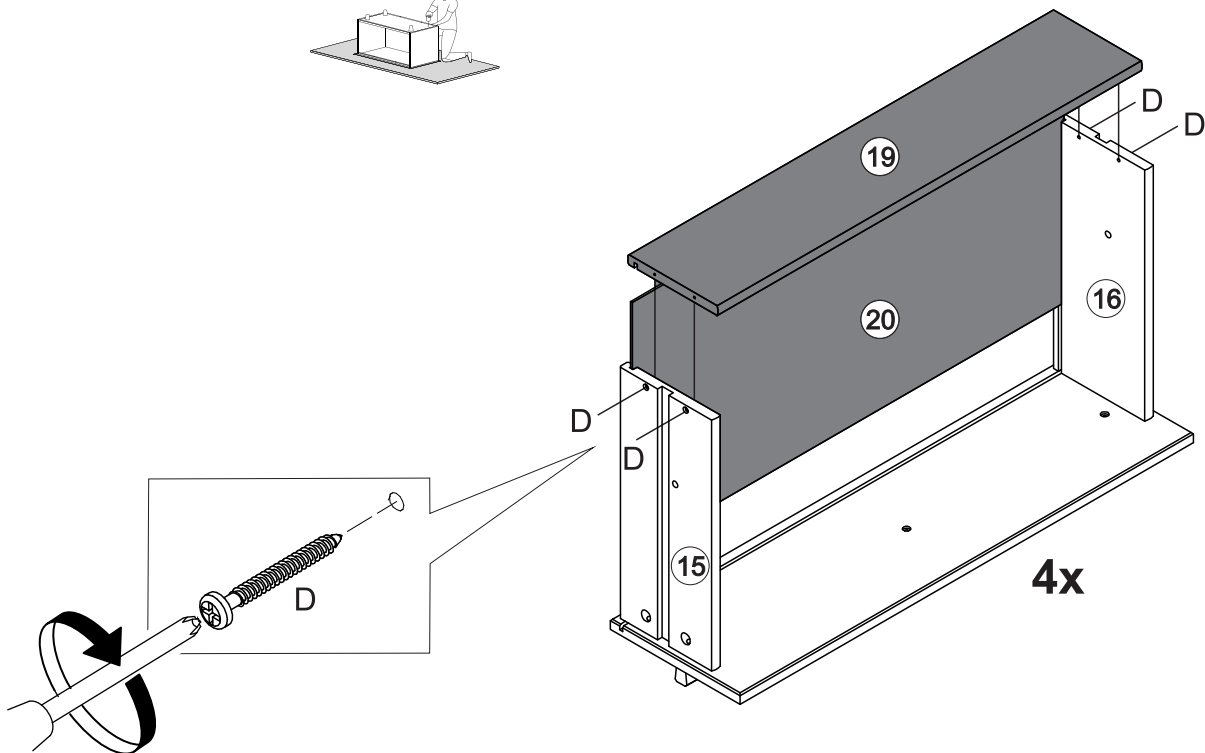
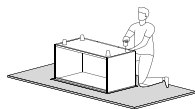
Step 19



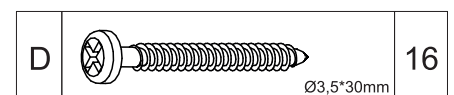
Attach parts 15, and 16 to part 14 with Cam lock (K) and Phillips head screwdriver.



Step 20



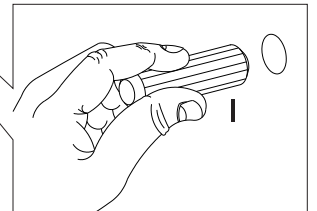
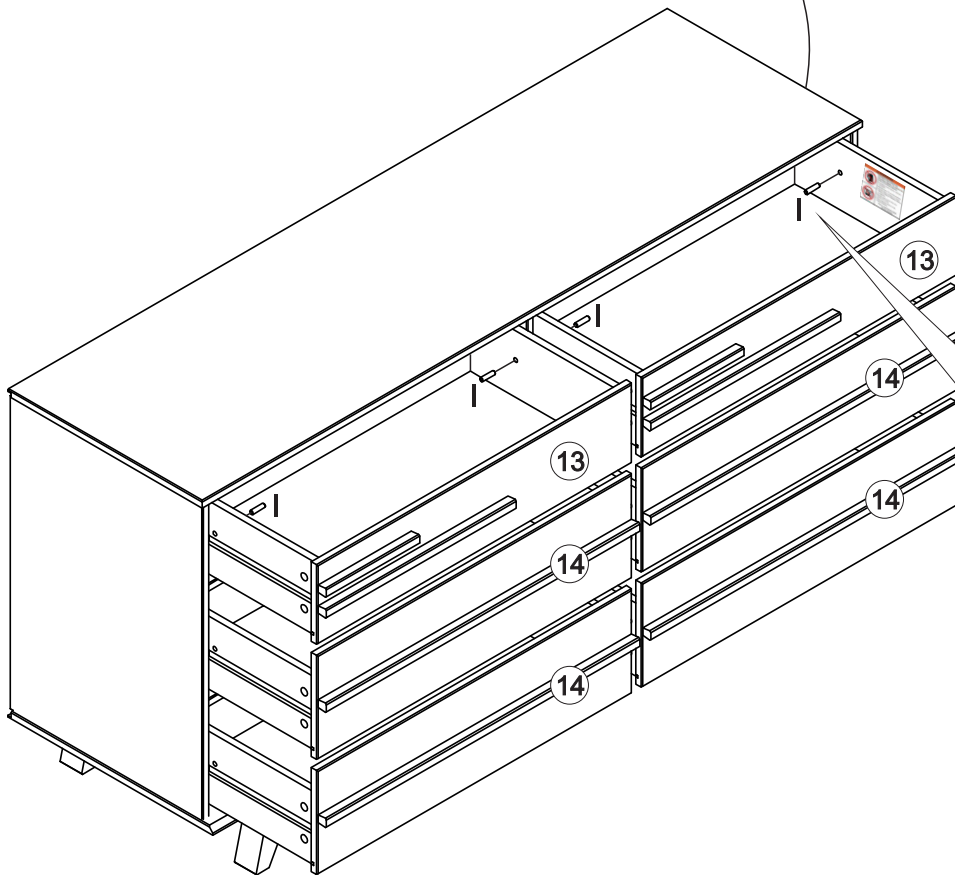
Insert part 20 between parts 15 and 16. Attach part 19 to parts 15 and 16 with screws(D), and Phillips head screwdriver.



Step 21

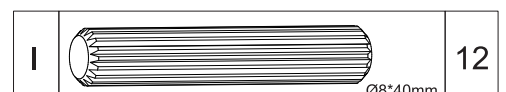


The assembled drawer with this warning must be placed on top of the unit.



Insert wood dowel (I) on the inside of all drawers, with the drawer inside the unit after having passed the wood dowel that is in the drawer slide.

The dowel is not flush with the panel, it is a little inside the drawer to help when you need to remove the lock dowel to remove the drawer.

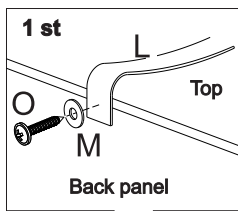


Step 22

WARNING

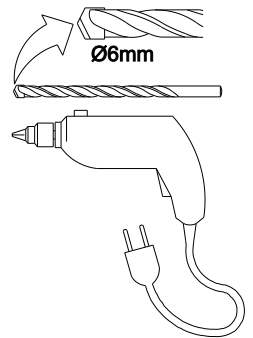
Serious or fatal injuries can occur from furniture tipping over. To prevent the furniture from tipping over we recommend that it is permanently fixed to the wall.

Wall anchor and hardware are included with this product. Please make sure hardware is suitable for your walls before installing, as different wall materials may require different types of anchors.



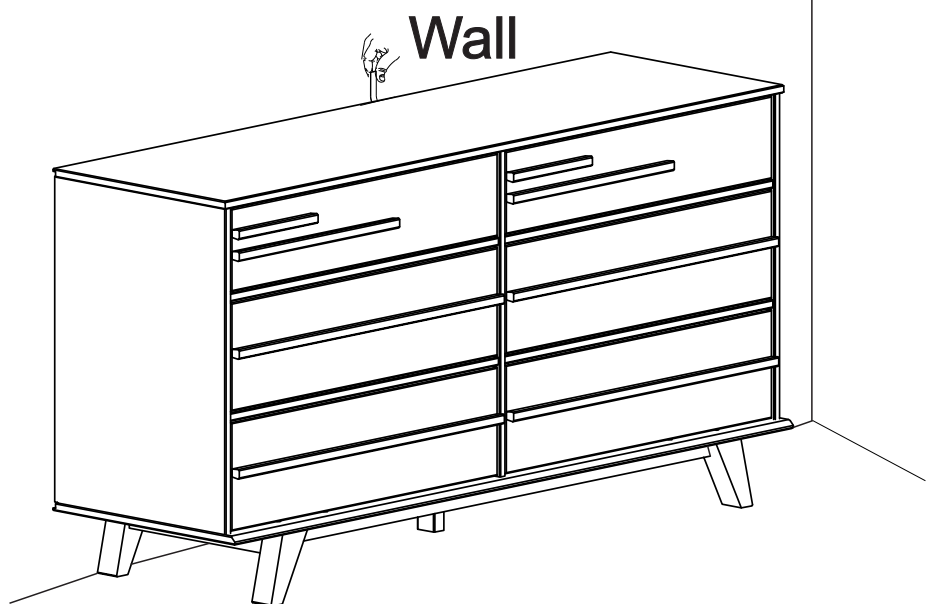
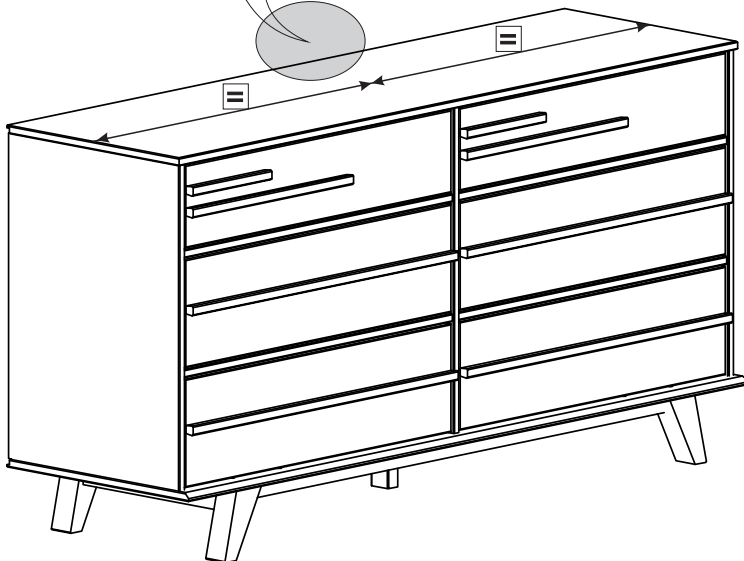
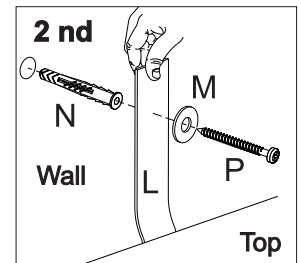
! 1st

Attach part (L) with screw (O) and washer (M), in the frame of top unit panel using Phillips head screwdriver.



! 2nd

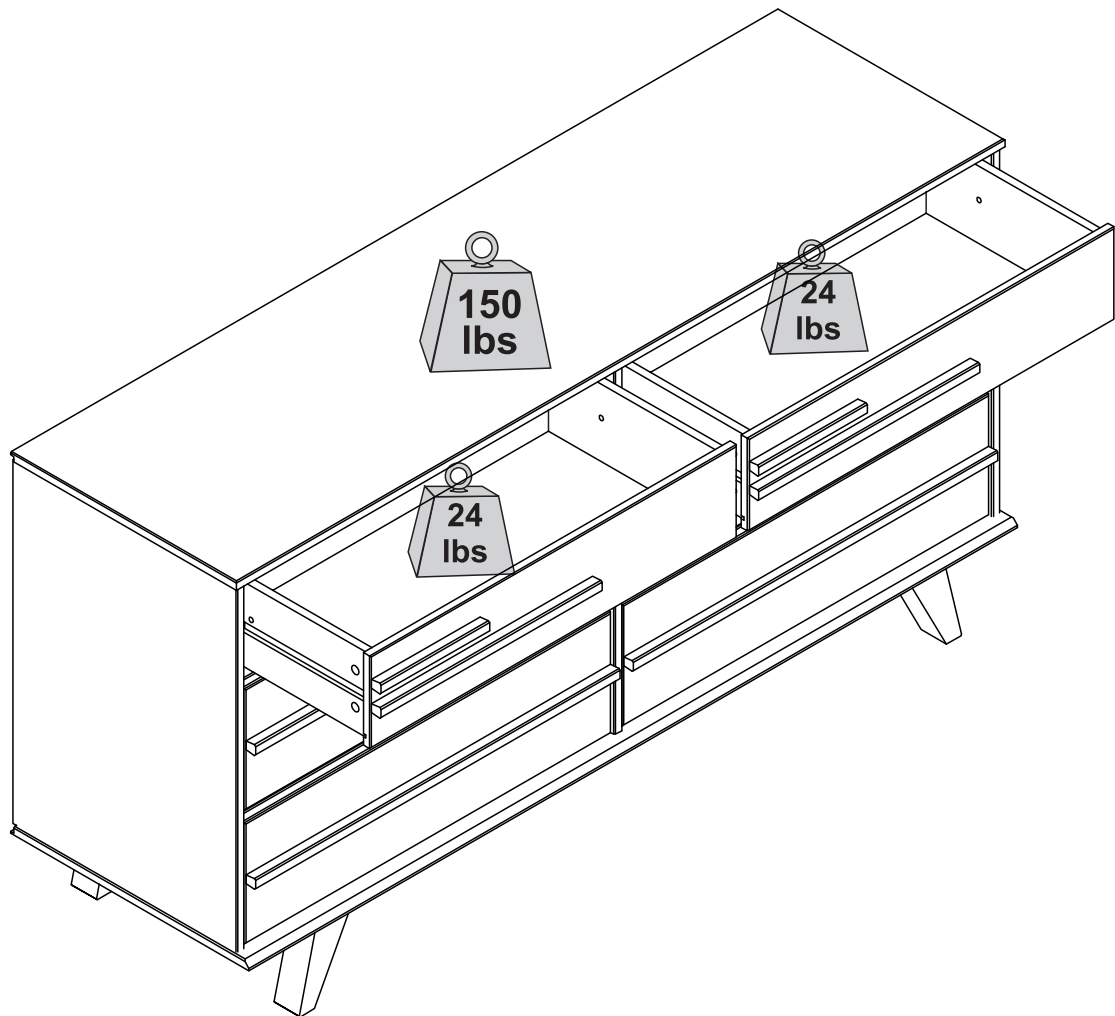
With drilling machine make one hole in the wall, insert part (N) in the hole. Secure part (L) with screw (P) and washer (M) in the wall using a Phillips head screwdriver.



L		01
M		02
N		01
O		01
P		01

Name and address information for the manufacturer responsible for the anti-tip hardware and date of production can be found on the label on the back of the furniture.

Step 23



Assembly Complete!