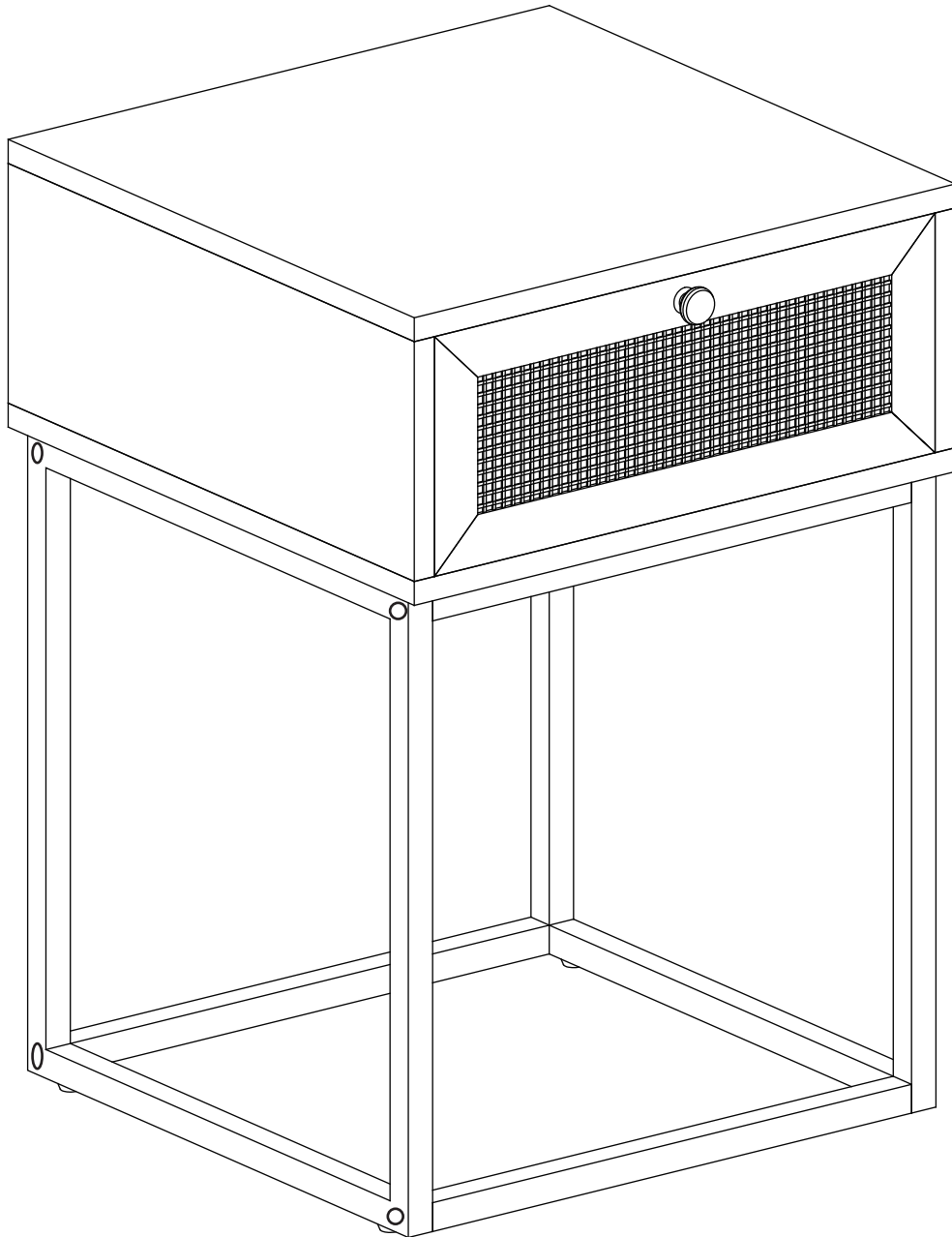


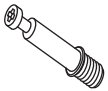

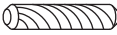
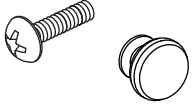
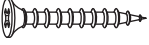


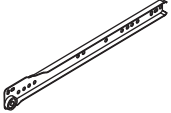
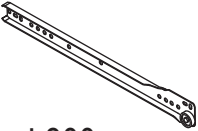

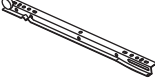
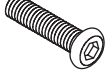
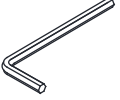

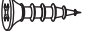

Night Stand



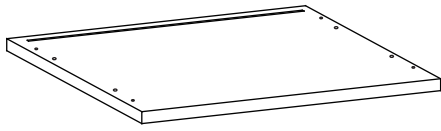
ASSEMBLY INSTRUCTION

Date last updated:05-07-2022

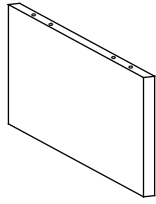
HARDWARE LIST

A		B		C		D	
8 PCS	 Ø6x35mm	8 PCS	 Ø15x10mm	8 PCS	 Ø6x30mm	1 PC	
E		F		G		CL	
8 PCS	 Ø4x35mm	12 PCS	 Ø3x12mm	4 PCS		1 PC	 L300mm
CR		DR		DL		H	
1 PC	 L300mm	1 PC	 L300mm	1 PC	 L300mm	8 PCS	 Ø6x30mm
I		J		K		L	
1 PC	 M4mm	4 PCS		4 PCS	 Ø3x16mm	8 PCS	 Ø6x25mm

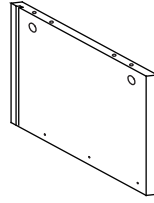
PARTS LIST



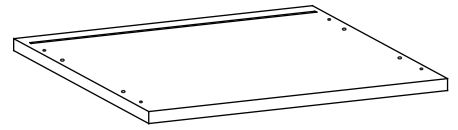
1 - 1 PC



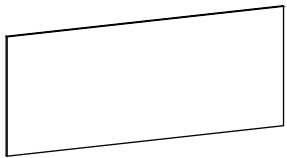
2 - 1 PC



3 - 1 PC



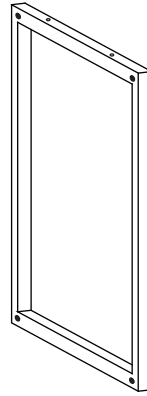
4 - 1 PC



5 - 1 PC



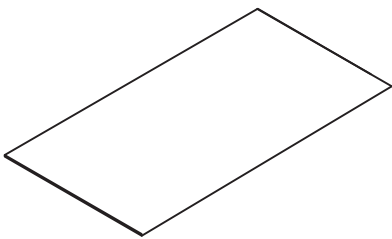
6 - 2 PCS



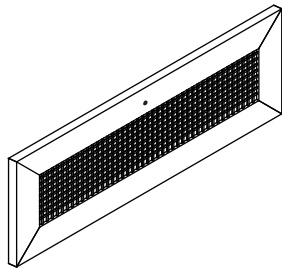
7 - 2PCS



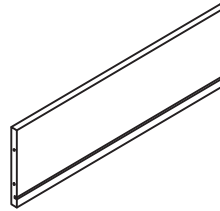
8 - 2PCS



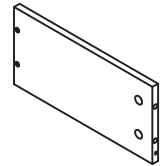
9 - 1 PC



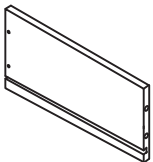
10 - 1 PC



11 - 1 PC



12 - 1 PC



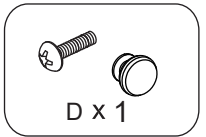
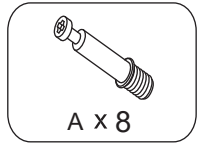
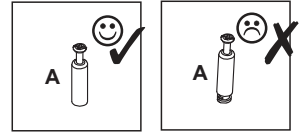
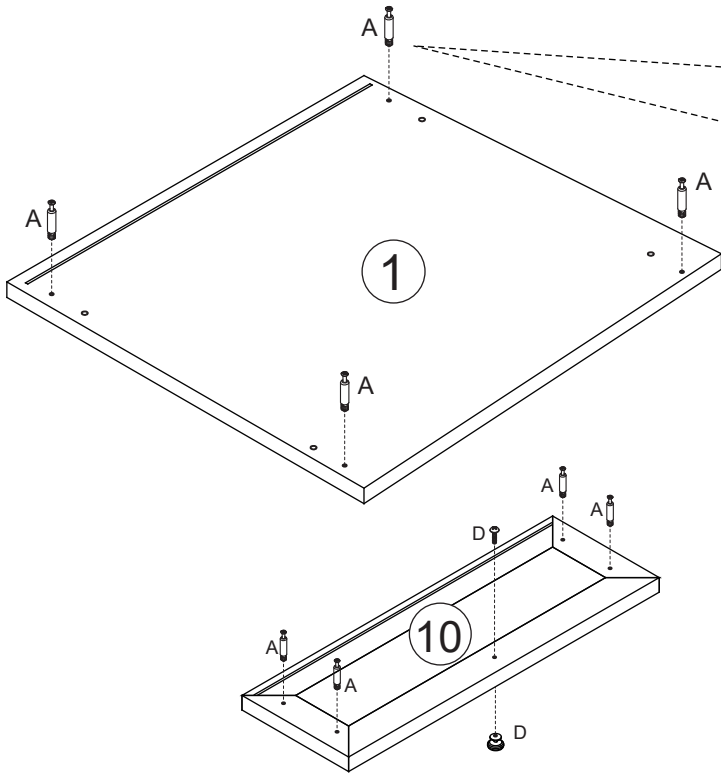
13 - 1 PC

ASSEMBLY STEPS

STEP 1.

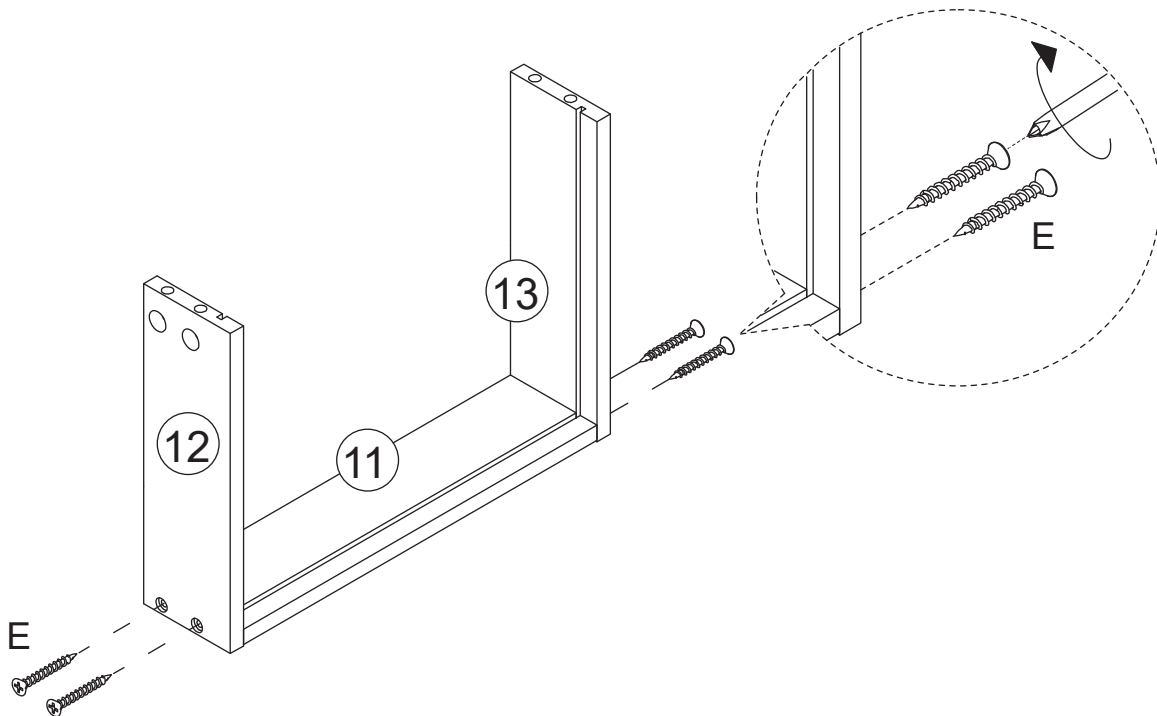
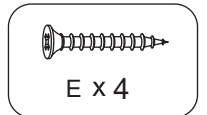
Insert quickfit screws(A) into parts 1 and 10.

Fix handle to part 10 using screw (D), as shown.



STEP 2.

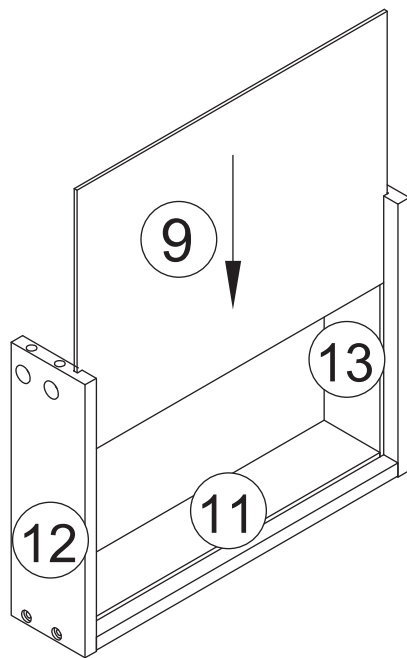
Fix parts 12 and 13 to part 11 using screws(E).



ASSEMBLY STEPS

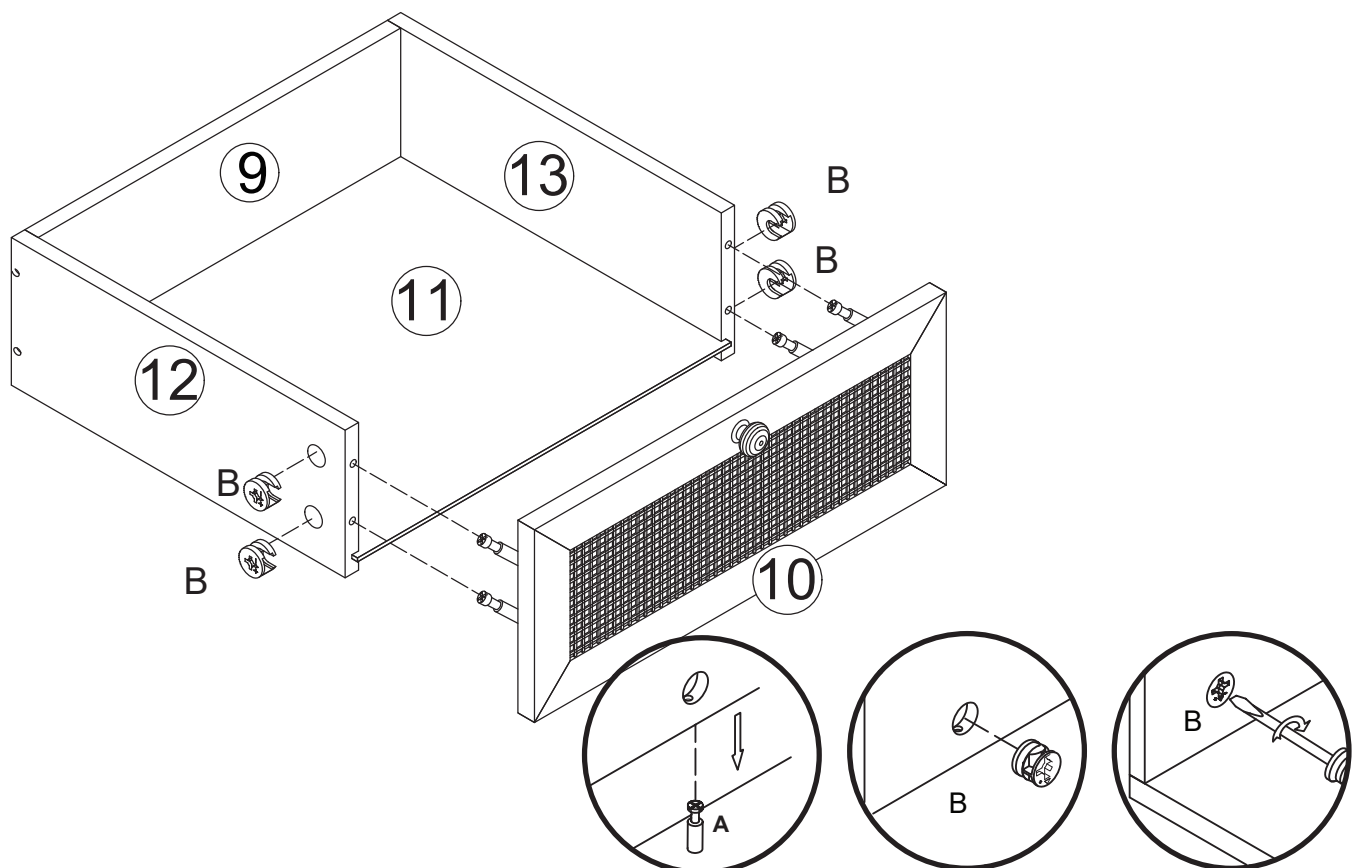
STEP 3.

Slide part 9 into grooves between parts 11,12 and 13, as shown.



STEP 4.

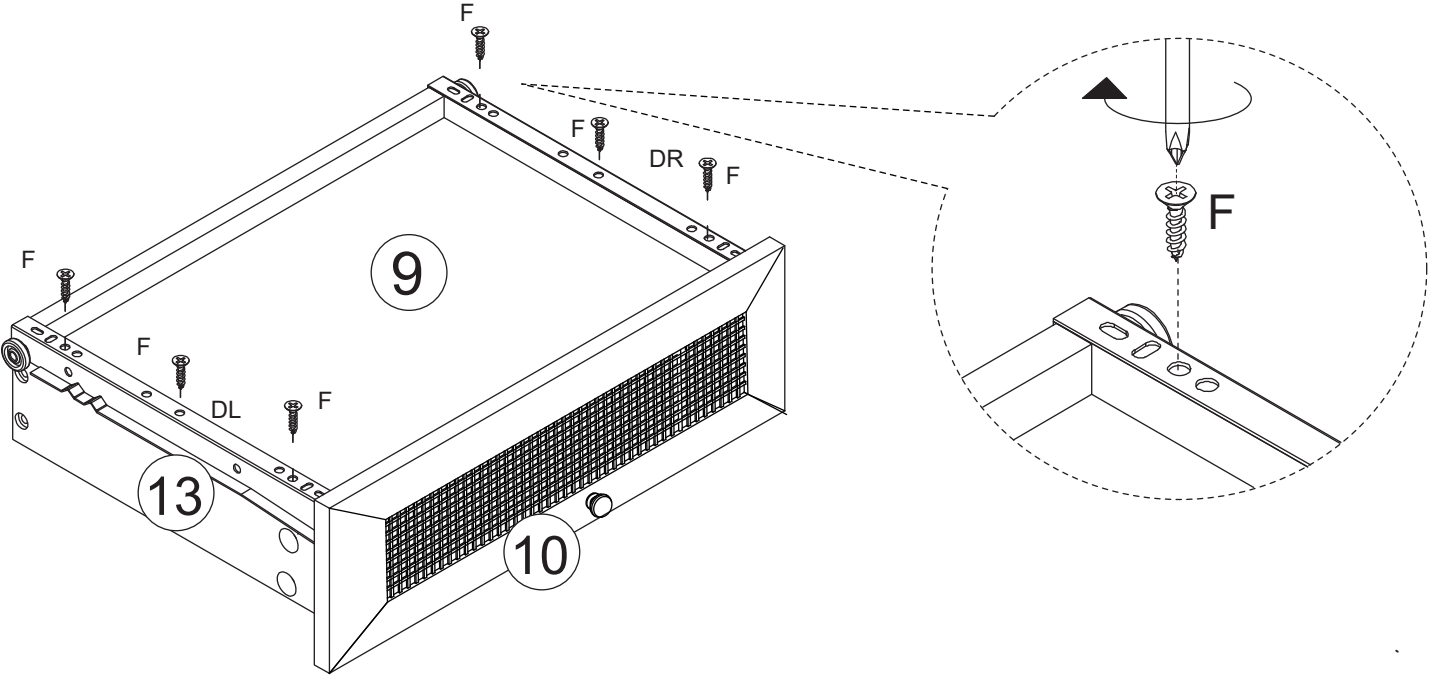
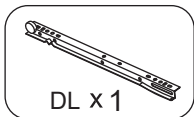
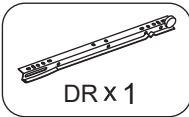
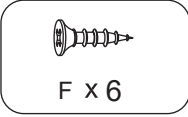
Insert cam locks (B) into parts 13 and 12, as shown.
Fit part 10 to assembled unit.
Turn cam locks clockwise to tighten.



ASSEMBLY STEPS

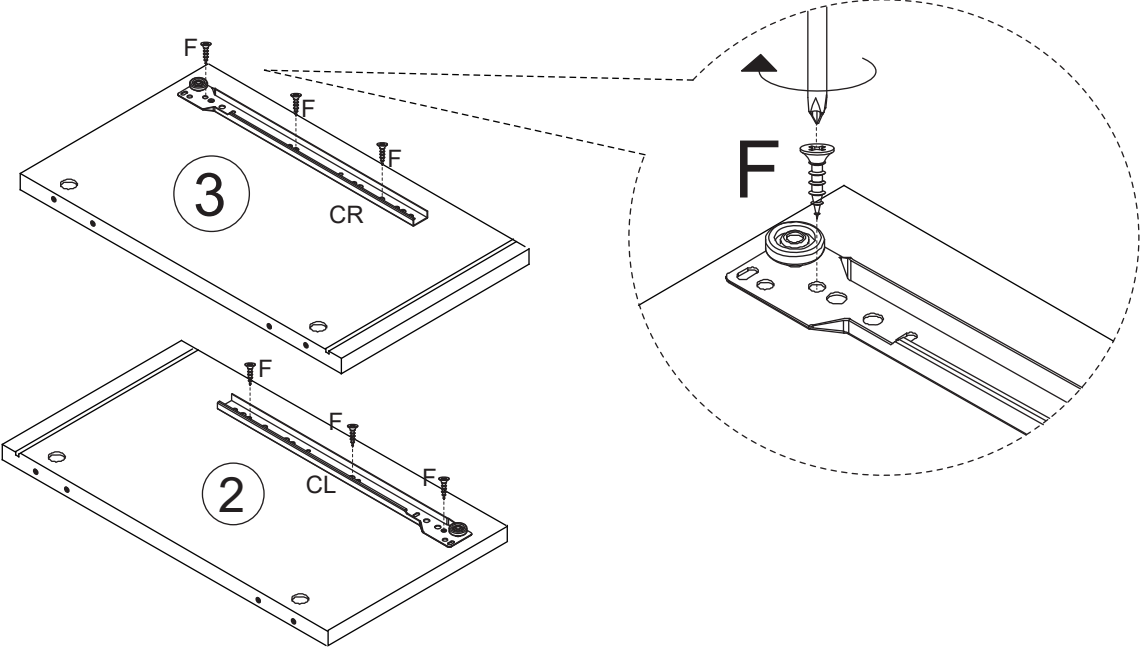
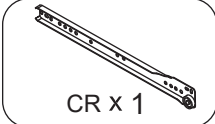
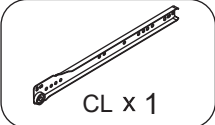
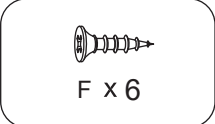
STEP 5.

Fix inner drawer runners (DR) and (DL) to assembled drawer using screws (F), as shown.



STEP 6.

Fix outer drawer runner (CL) to part 2 and (CR) to part 3 using screws (F), as shown.



ASSEMBLY STEPS

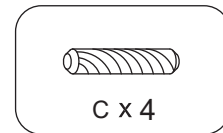
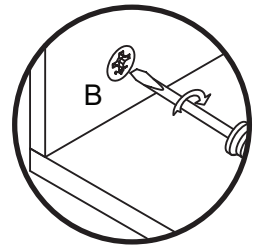
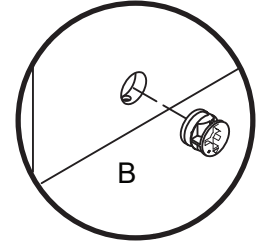
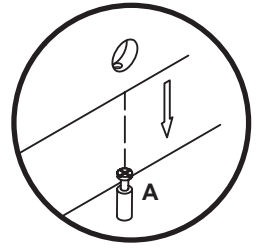
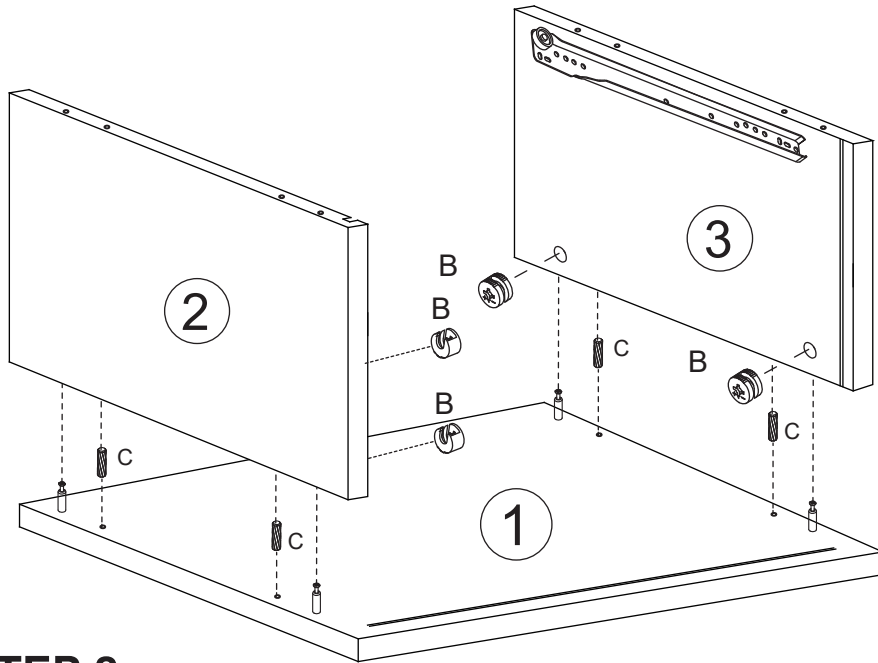
STEP 7.

Insert wooden dowels (C) to part 1.

Insert cam locks (B) into parts 2 and 3.

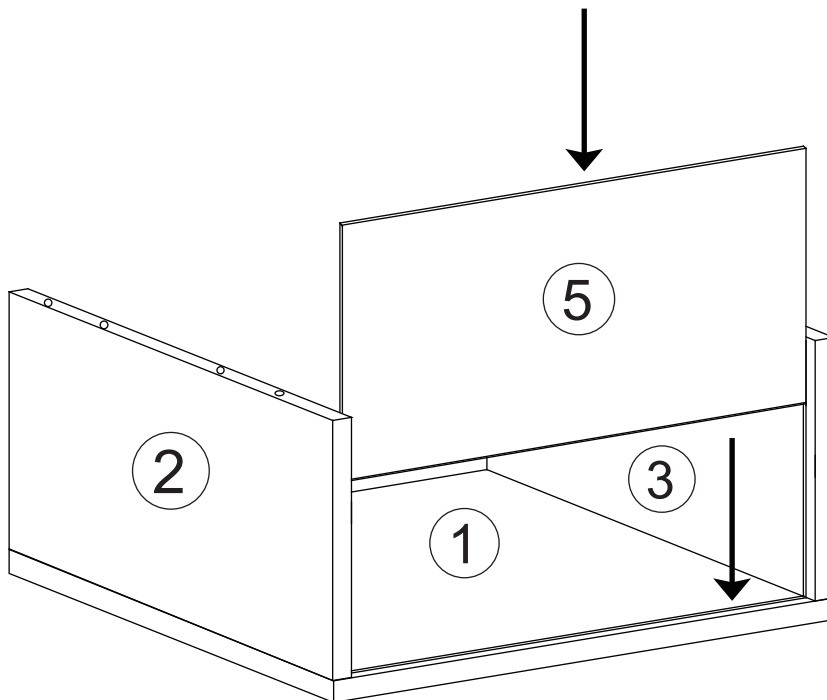
Fit parts 2 and 3 to part 1, as shown.

Turn cam locks clockwise to tighten.



STEP 8.

Slide part 5 into grooves between parts 1, 2 and 3, as shown.

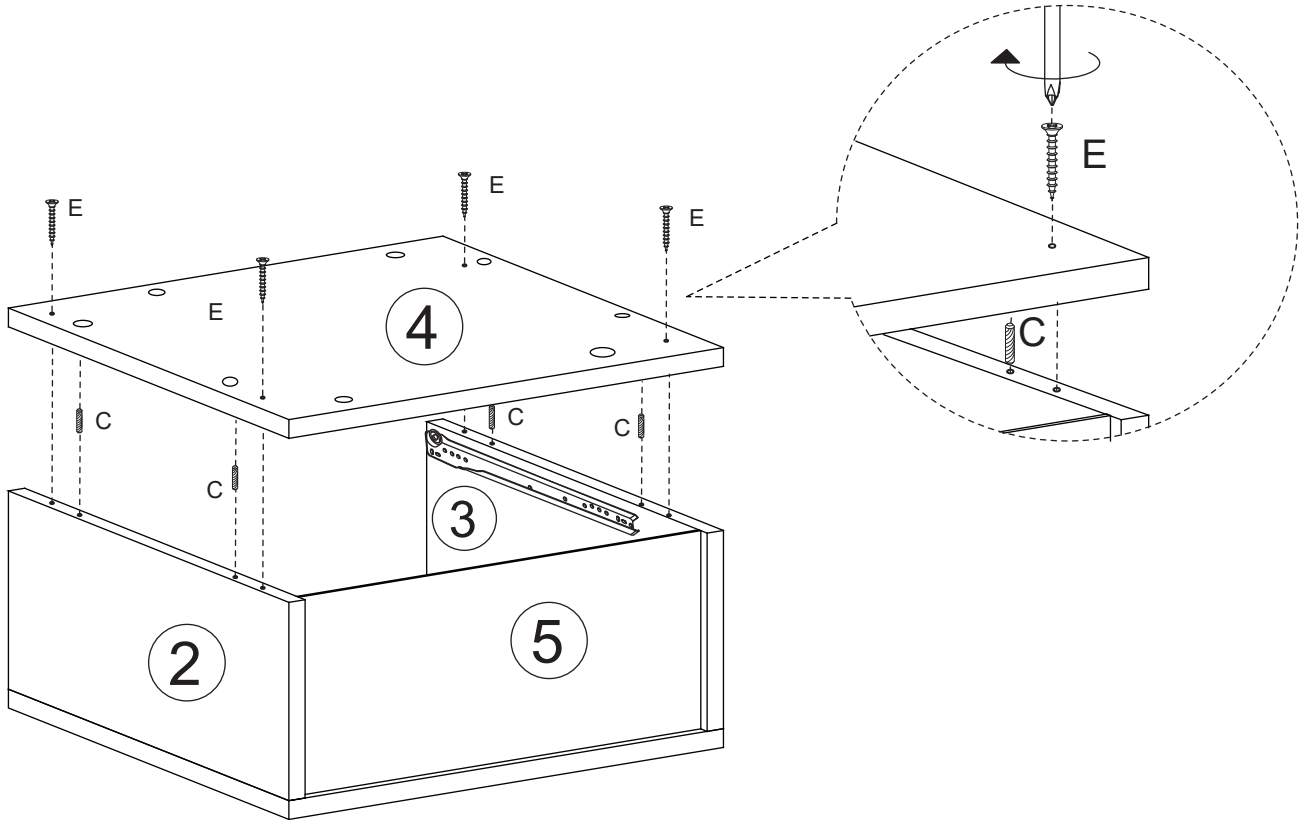
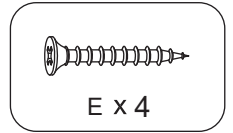
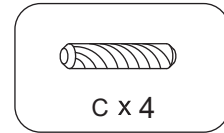


ASSEMBLY STEPS

STEP 9.

Insert wooden dowels (C) to parts 2 and 3.

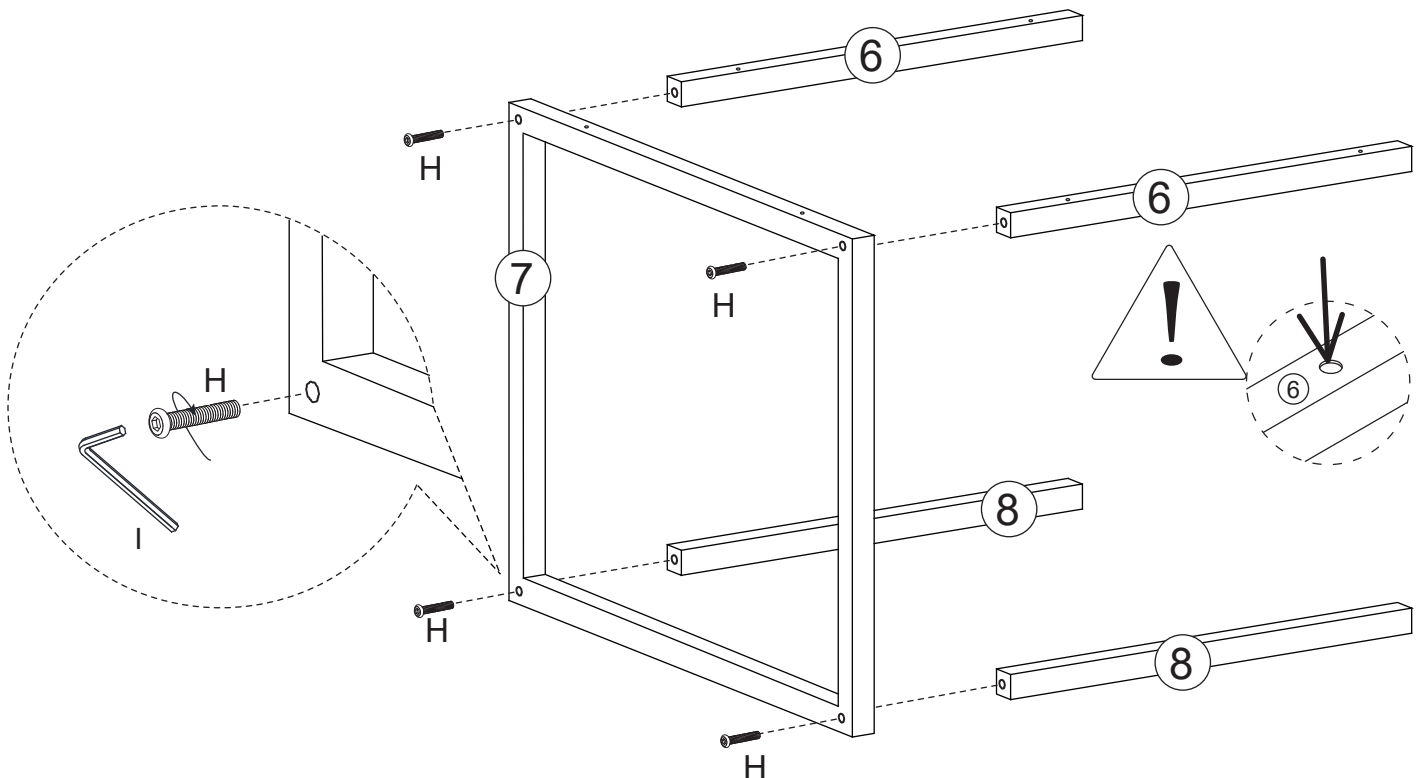
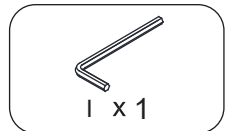
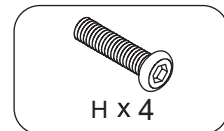
Fix part 4 to parts 2 and 3 using screws (E), as shown.



STEP 10.

Fix part 7 to parts 6 and 8 using screws (H).

Turn Allen key (I) clockwise to tighten, as shown.

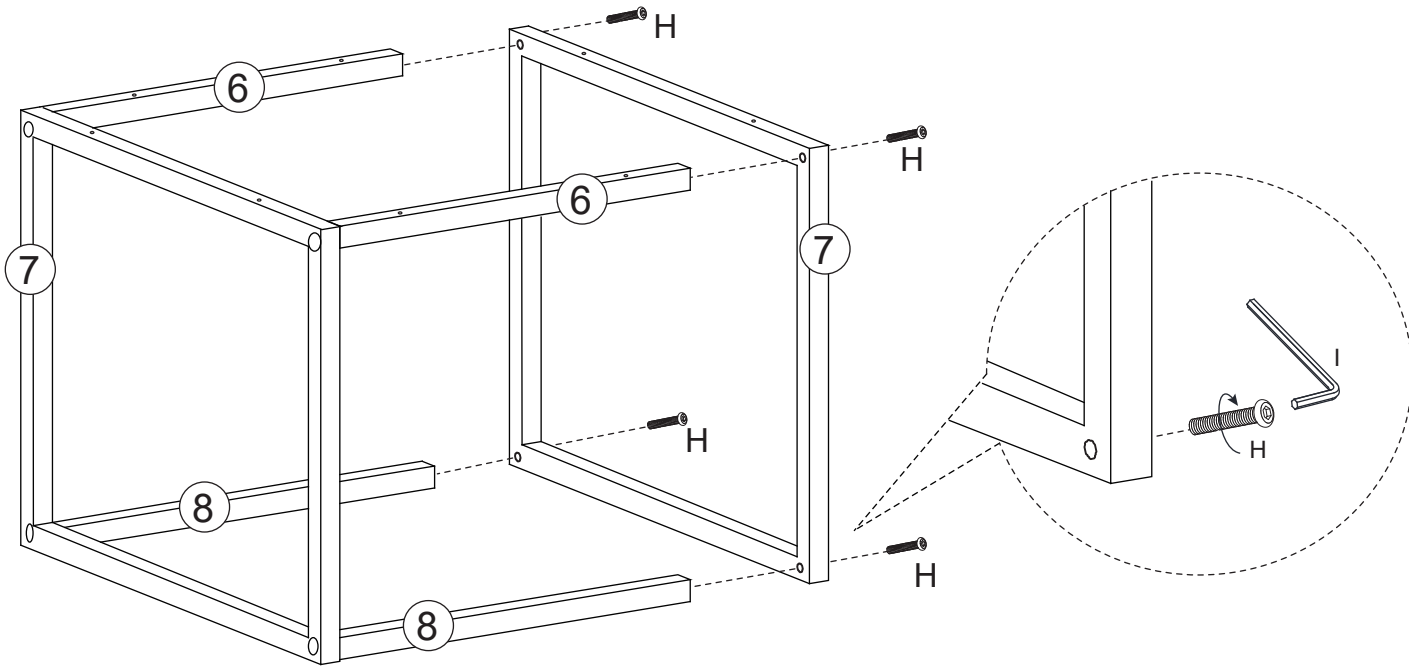
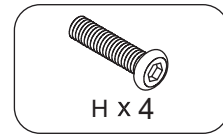


ASSEMBLY STEPS

STEP 11.

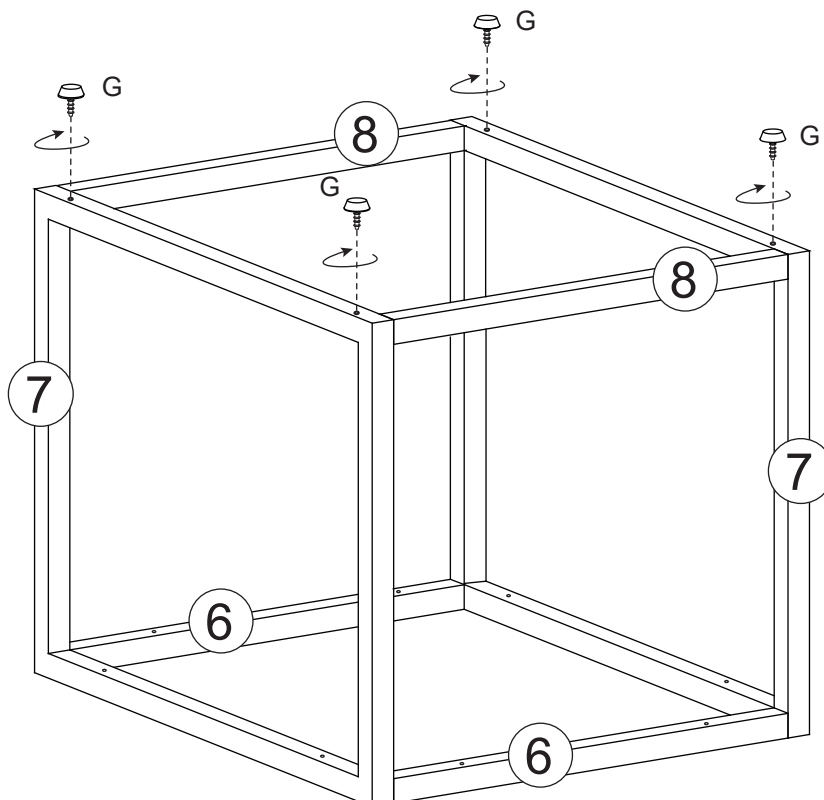
Fix part 7 to parts 6 and 8 using screws (H).

Turn (I) clockwise to tighten, as shown.



STEP 12.

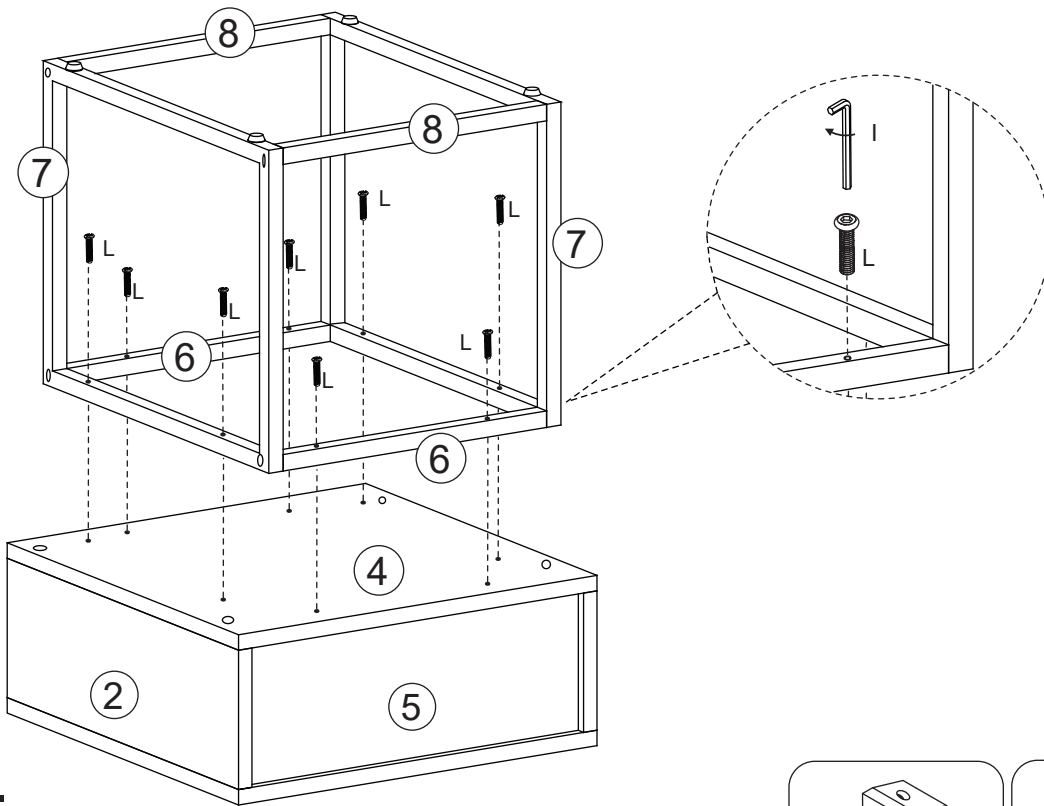
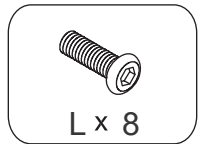
Insert Foot nails (G) to parts 7, as shown.



ASSEMBLY STEPS

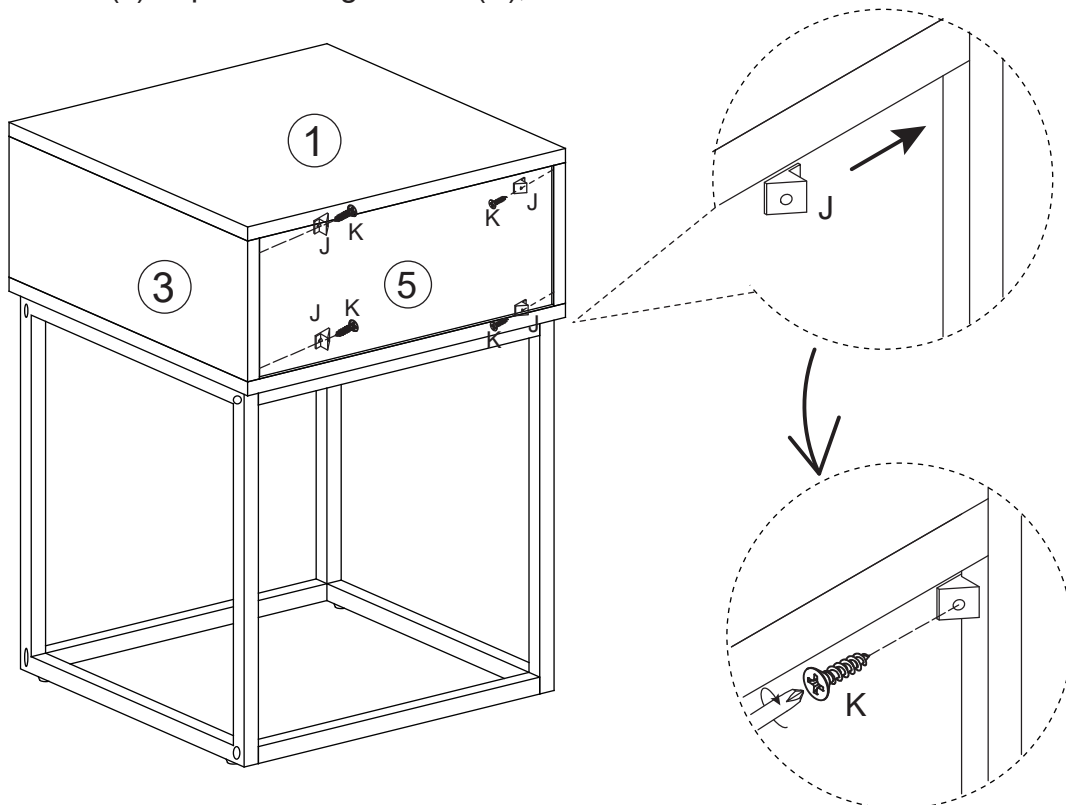
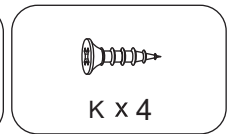
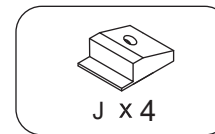
STEP 13.

Fix Iron frame to assembles unit using screws (L).
Turn Allen key (I) clockwise to tighten, as shown.



STEP 14.

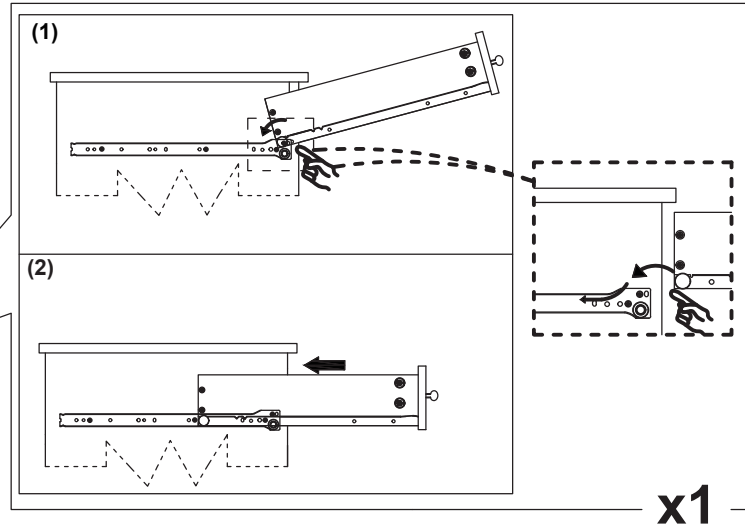
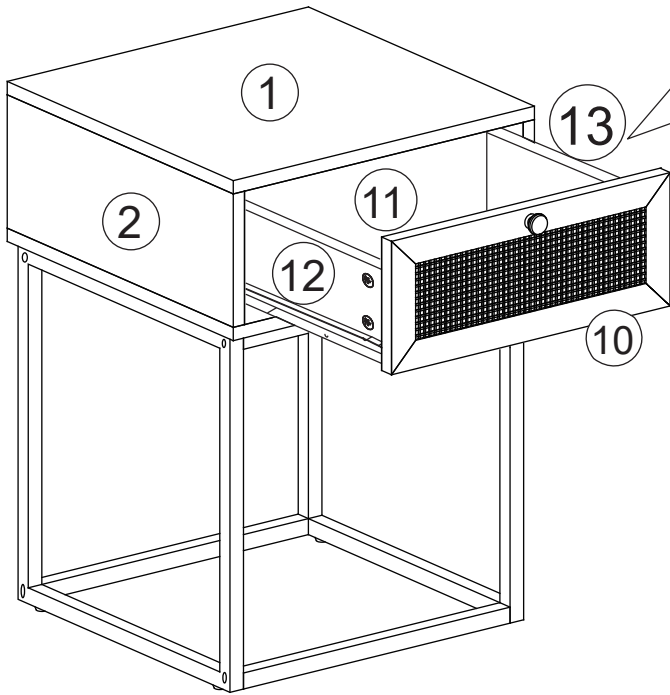
Fix corner brackets (J) to part 5 using screws (K), as shown.



ASSEMBLY STEPS

STEP 15.

Fit drawer into the assembled unit, as shown.



STEP 16.

Your night stand is ready for use.

