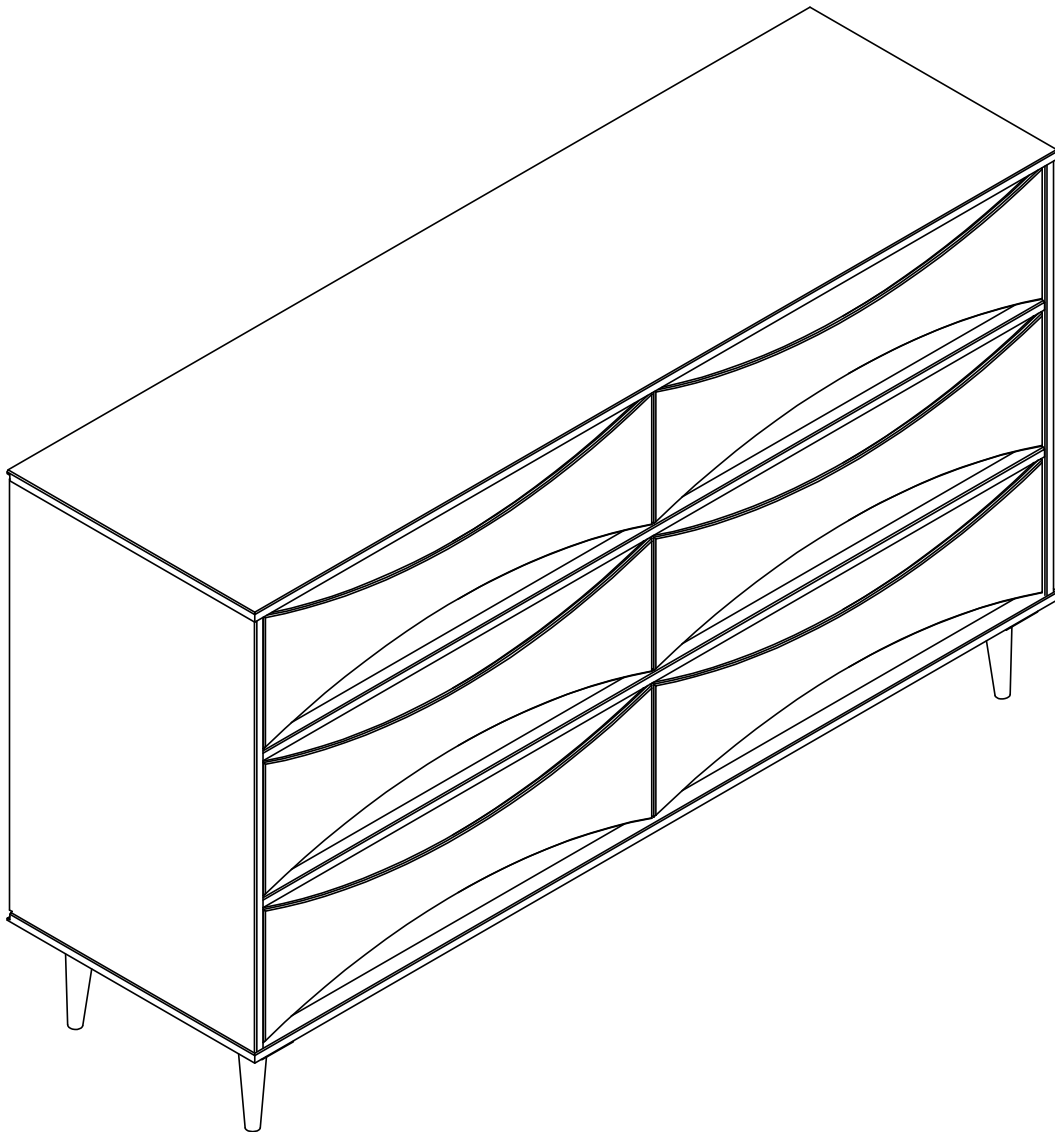


Item # : BRATT6DRD

Assembly Instructions

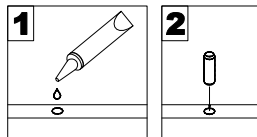


Please visit our website for the most current instructions, assembly tips, to report damage or request parts. www.walkeredison.com

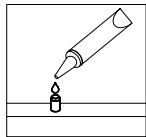
Revised 07/2022

General Assembly Guidelines

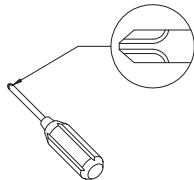
- I. Ensure that all parts and hardware are available before beginning assembly.
- II. Follow each step carefully to ensure the proper assembly of this product.
- III. Two people are recommended for ease in the assembly of this product.
- IV. The three main types of hardware used to assemble this product are wood dowels, screws and bolts.
- V. The provided glue is to secure wood dowels in place . When first inserting dowels , locate the appropriate hole for the dowel , place a small amount of glue in the hole and insert the dowel . Wipe away excess glue immediately.



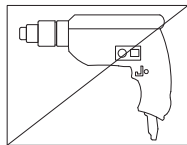
In future assembly steps when dowels are necessary to attach assembly parts together , place a small amount of glue on the end of the dowel before attaching parts together . Wipe away excess glue immediately.



- VI. A Phillips head screwdriver is required for the assembly of this product.



- VII. Power tools should not be used to assemble this product.



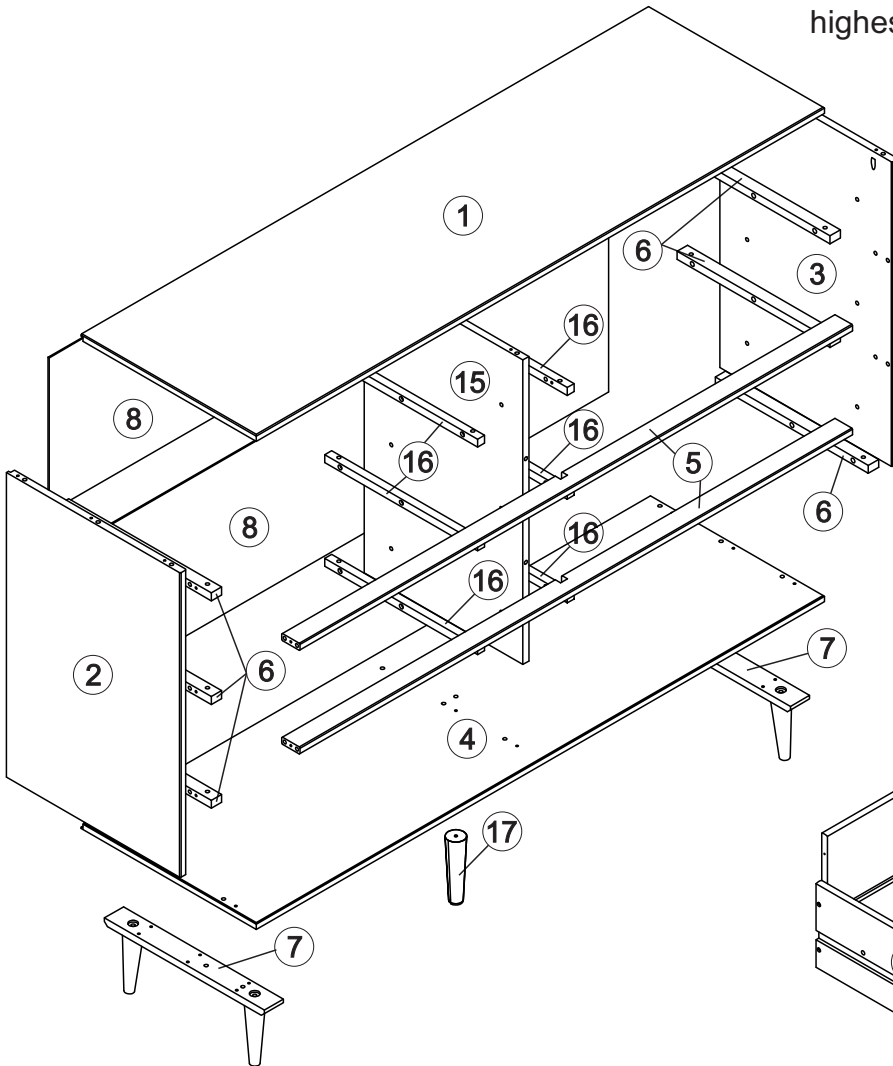
VIII. Maintenance Guide

To maintain long term performance and easy gliding of your solid wood drawers, we recommend applying wax to the wooden guide rails.

1. Bee's wax is recommended or Paraffin wax from a standard candle can be used.
2. Apply the wax by rubbing it on the wooden guide rails where there is wood-on-wood contact when opening and closing the drawer. (Wax should be room temperature, do not melt the wax onto the wood)
3. Wax should be applied every few months for the first year and then only when needed a aer that to keep the drawers sliding smoothly.

Parts List

The side drawer with **WARNING LABEL**, should be mouted in highest drawer.

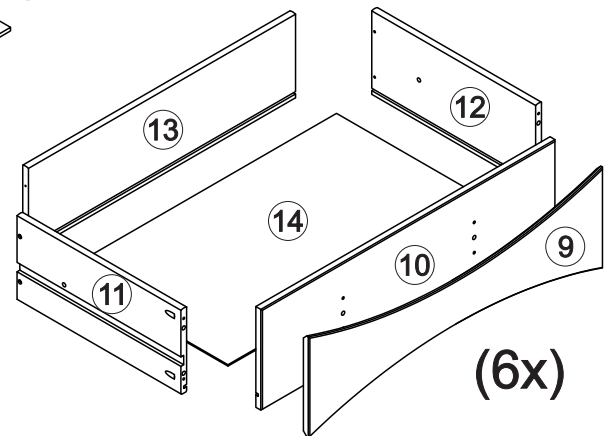


WARNING

Children have died from furniture tipover. To reduce the risk of furniture tipover:

- ALWAYS install tipover restraint provided.
- NEVER put a TV on this product.
- NEVER allow children to stand, climb or hang on drawers, doors, or shelves.
- NEVER open more than one drawer at a time.
- Place heaviest items in the lowest drawers.





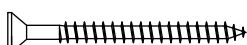

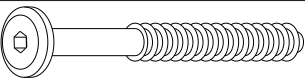



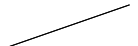


This is a permanent label. Do not remove!

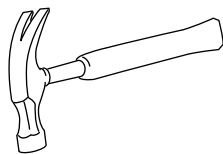


Part#	Description	Qty
1	Top Panel	01
2	Left Side Panel	01
3	Right Side Panel	01
4	Base	01
5	Front Crossbeam	02
6	Drawer Runner	06
7	Foot	02
8	Back Panel	02
9	Drawer Front	06

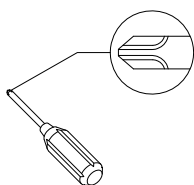
Part#	Description	Qty
10	Drawer Front	06
11	Left Drawer Side	06
12	Right Drawer Side	06
13	Drawer Back	06
14	Drawer Bottom	06
15	Division	01
16	Drawer Runner	06
17	Central Foot	01

Hardware List

A		Ø8*30mm	Wooden dowel	76 pcs
B		Ø8*20mm	Wooden dowel	40 pcs
C		Ø4,0*25mm	Screw	72 pcs
D		Ø3,5*30mm	Screw	63 pcs
E		Ø4,0*40mm	Screw	09 pcs
F		Ø10*10	Nail	60 pcs
G		Ø7*60mm	Screw	01 pcs
H		4mm	Hex Key	01 pcs
I			Glue	01 pcs
J		1440mm	"H" Profile	01 pc
K			Wall anchor	01 pc
L			Washer	02 pc
M			Ø6mm	01 pc



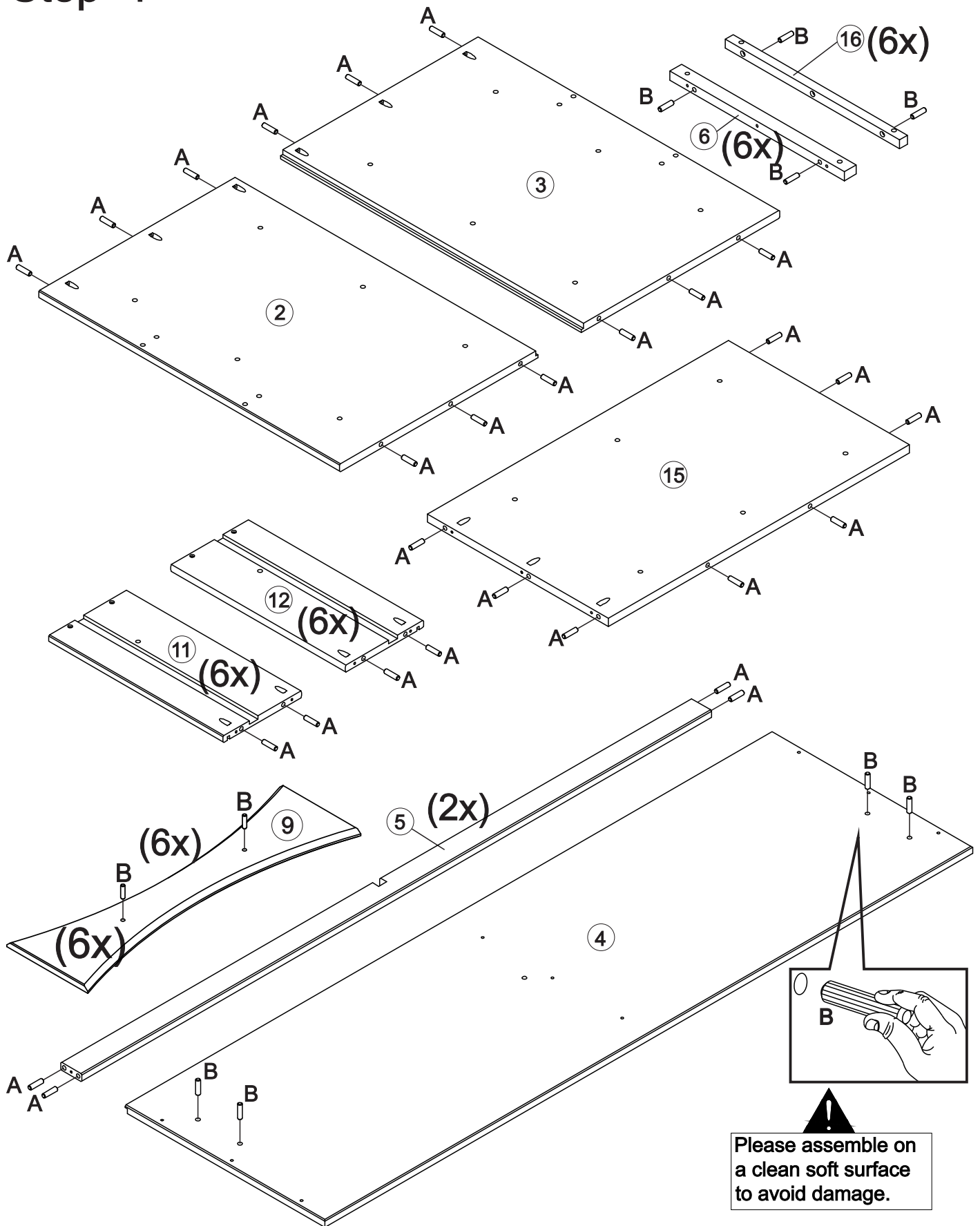
Hammer recommended for assembly
(not included)

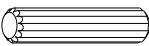




Philips head screwdriver required for assembly
(not included)

*The hardware quantities listed above are required for proper assembly.
Some extra hardware may also have been included.*

Step 1

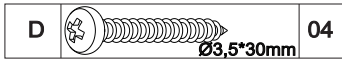
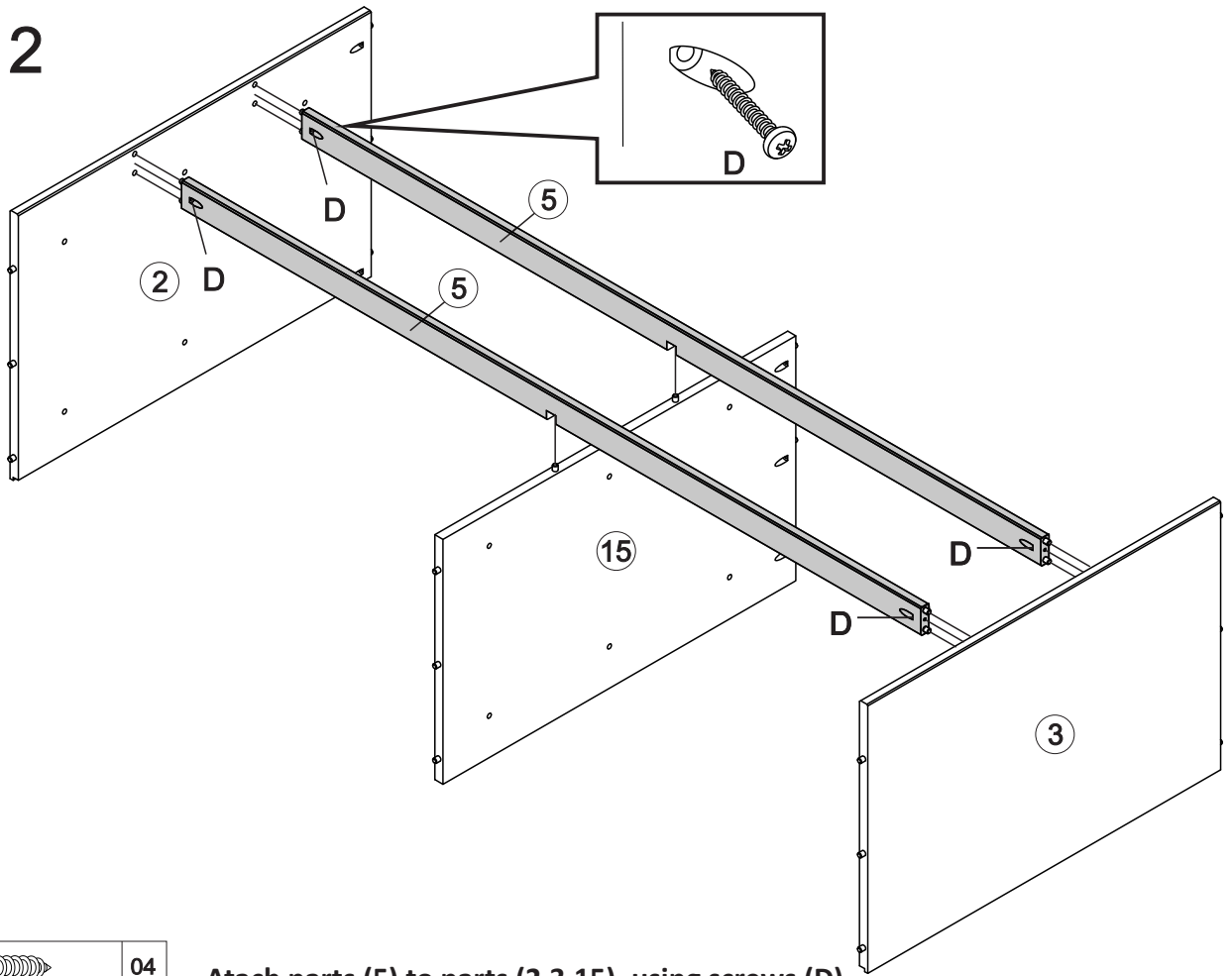


A		Ø8*30mm	52
B		Ø8*20mm	40
I			01

Insert wood dowel (A) and glue (I) into parts (2, 3, 5, 11, 12, 15).

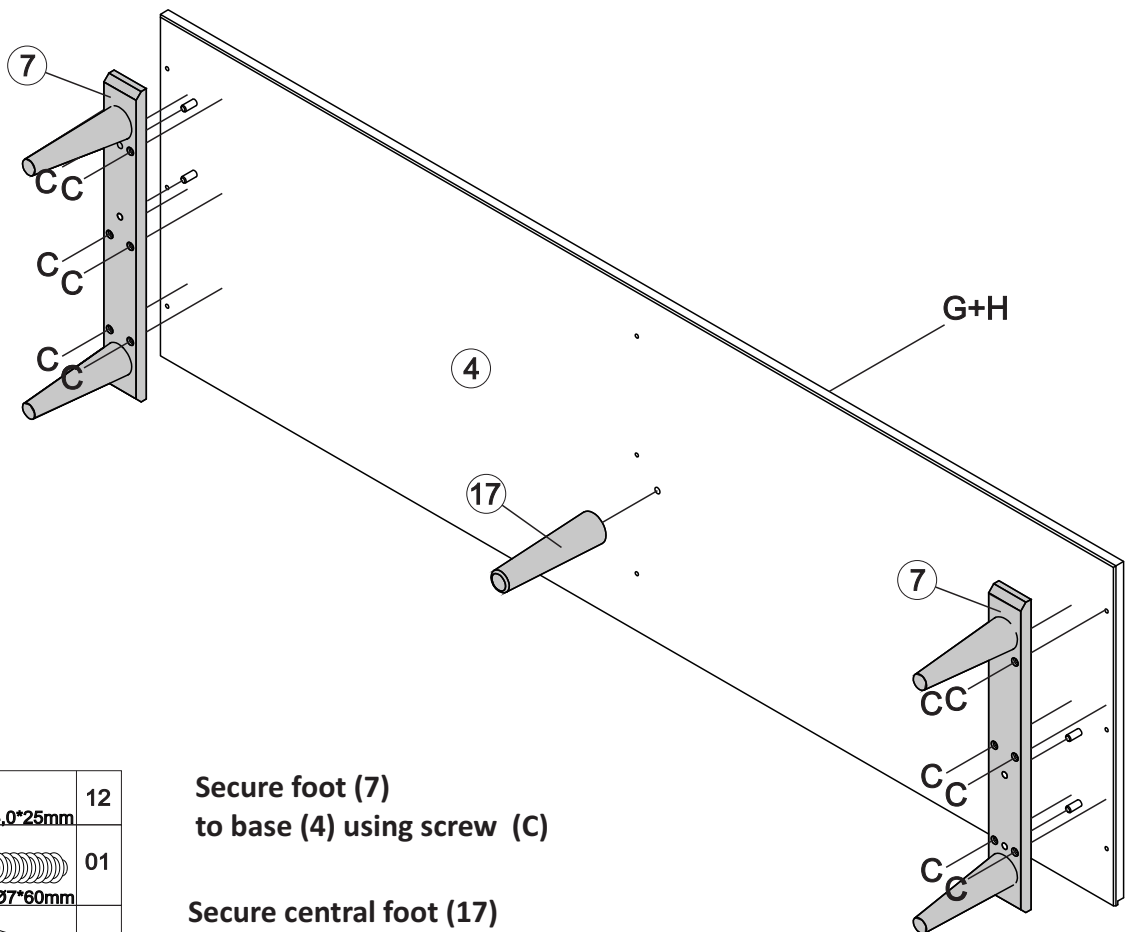
Insert wood dowel (B) and glue (I) into part (4, 6, 9, 16).


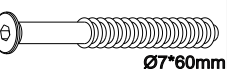

Step 2



Attach parts (5) to parts (2,3,15), using screws (D).

Step 3

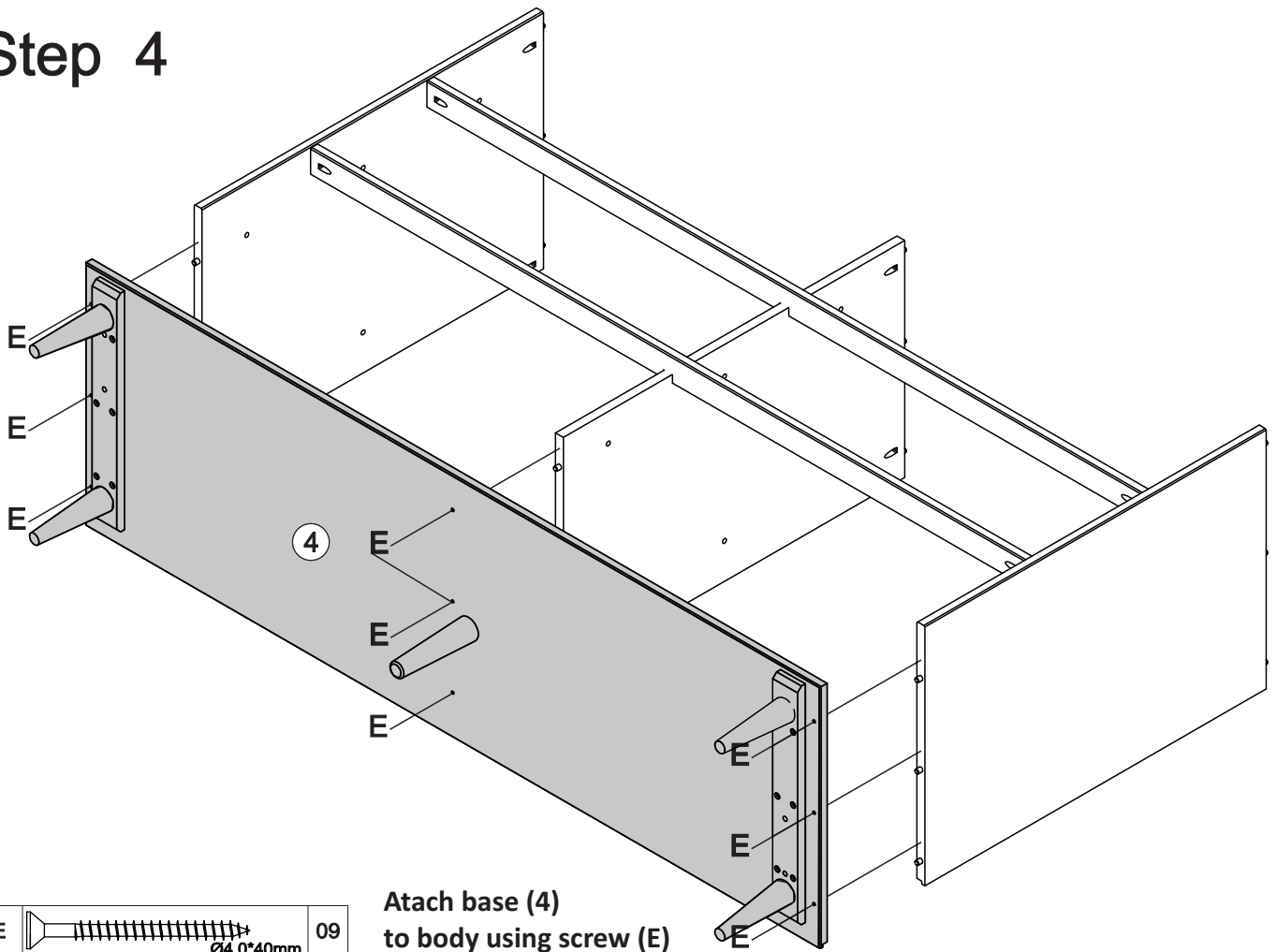


C		Ø4,0*25mm	12
G		Ø7*60mm	01
H		4mm	01

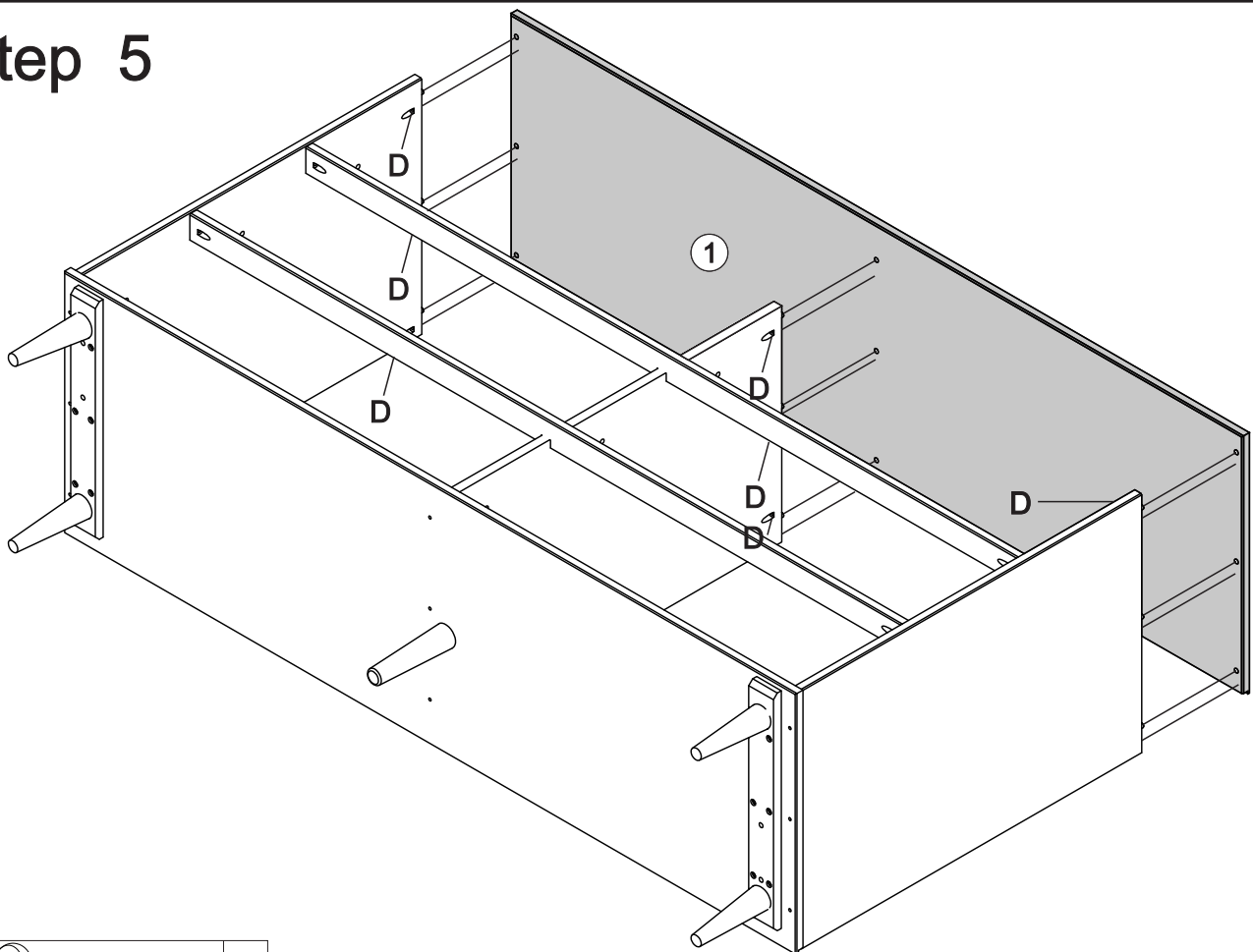
Secure foot (7) to base (4) using screw (C)

Secure central foot (17) to base (4) using bolt (G) and hex key (H).

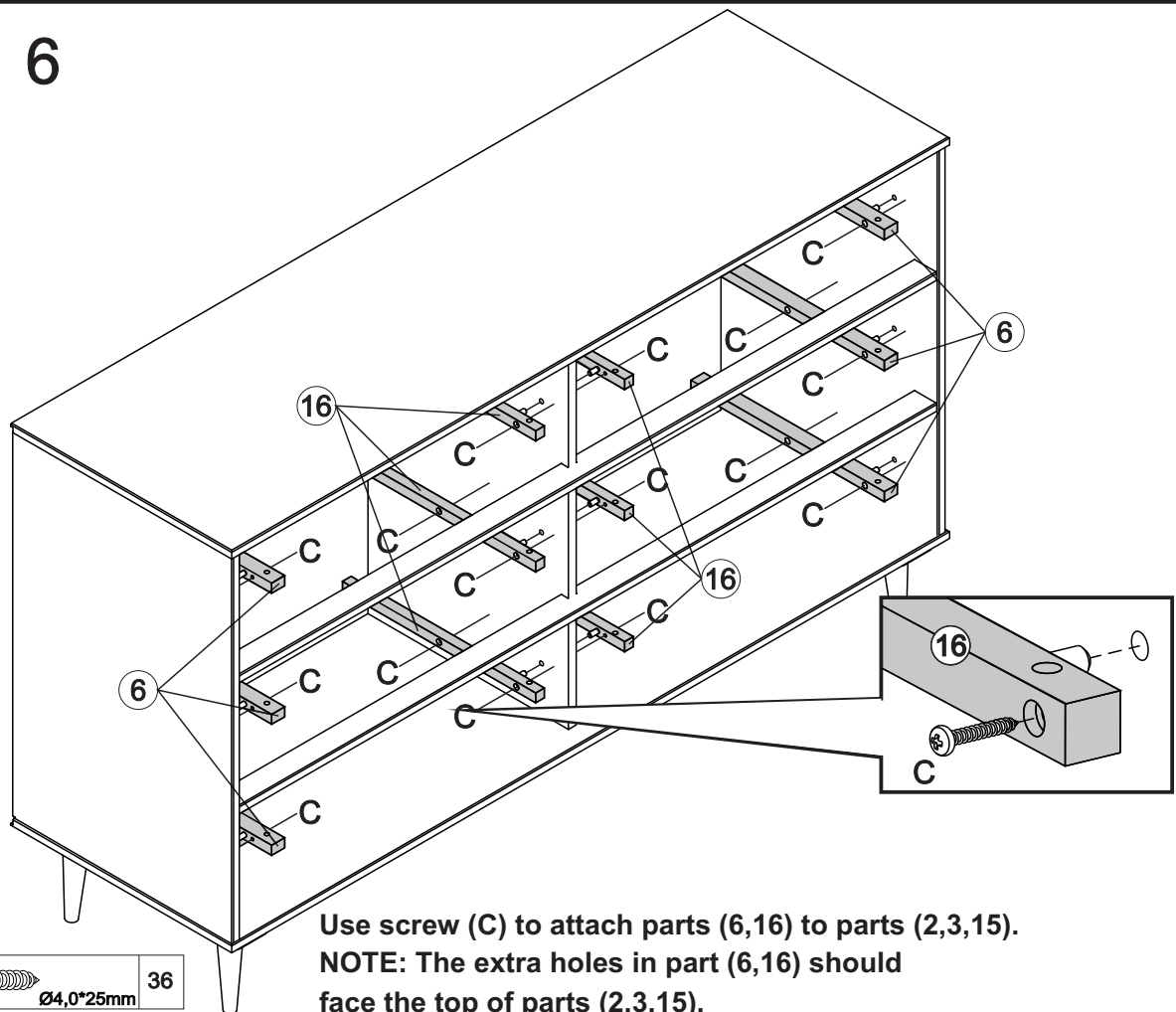
Step 4



Step 5

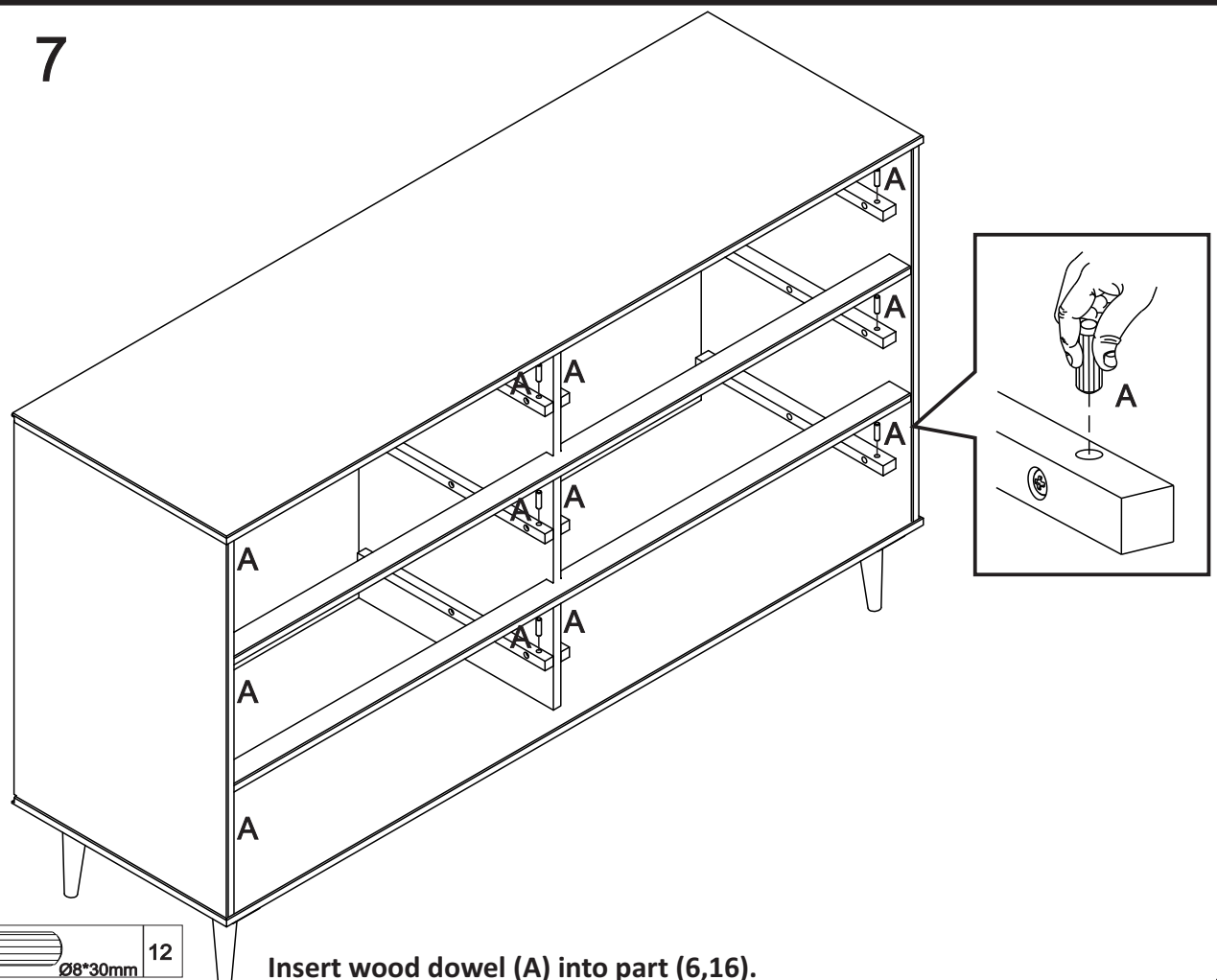


Step 6



Use screw (C) to attach parts (6,16) to parts (2,3,15).
NOTE: The extra holes in part (6,16) should face the top of parts (2,3,15).

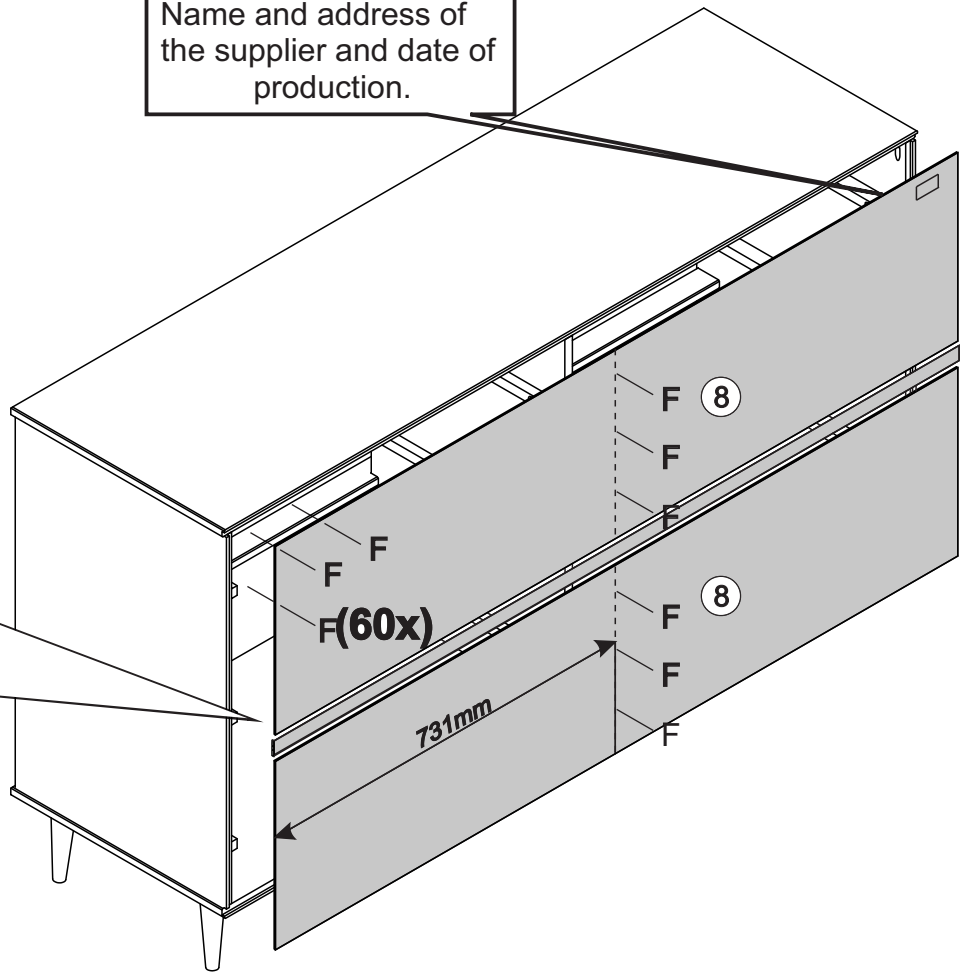
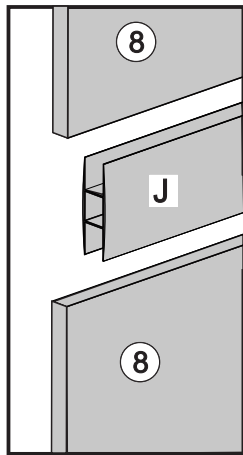
Step 7

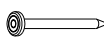



Insert wood dowel (A) into part (6,16).

Step 8

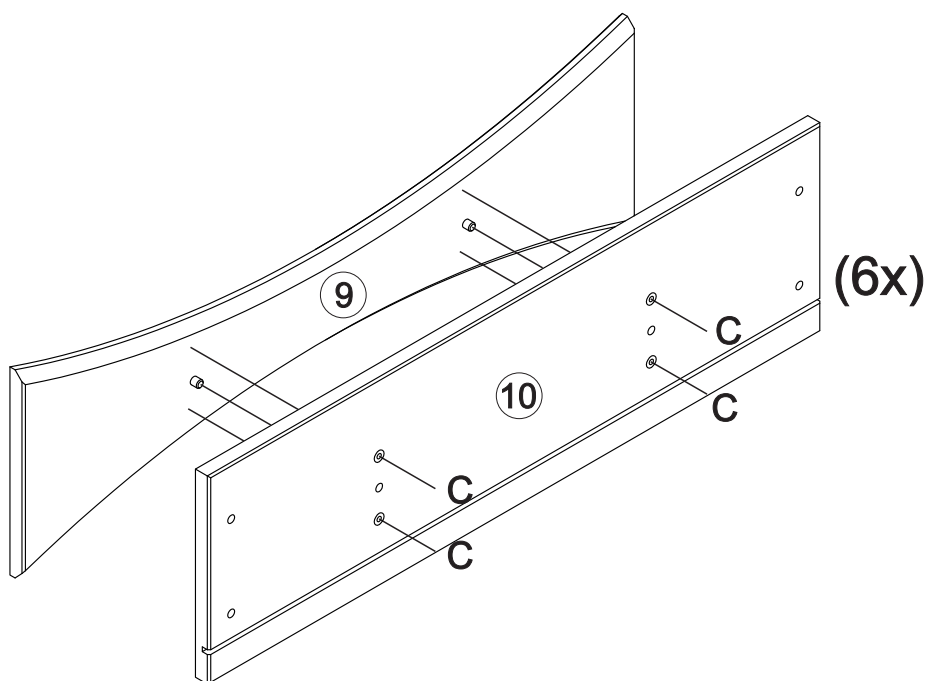
Name and address of the supplier and date of production.



F		60
	$\varnothing 10 \times 10$	
J		01
	1440mm	

Secure back panel (8) with part (J) to body with nails (F)

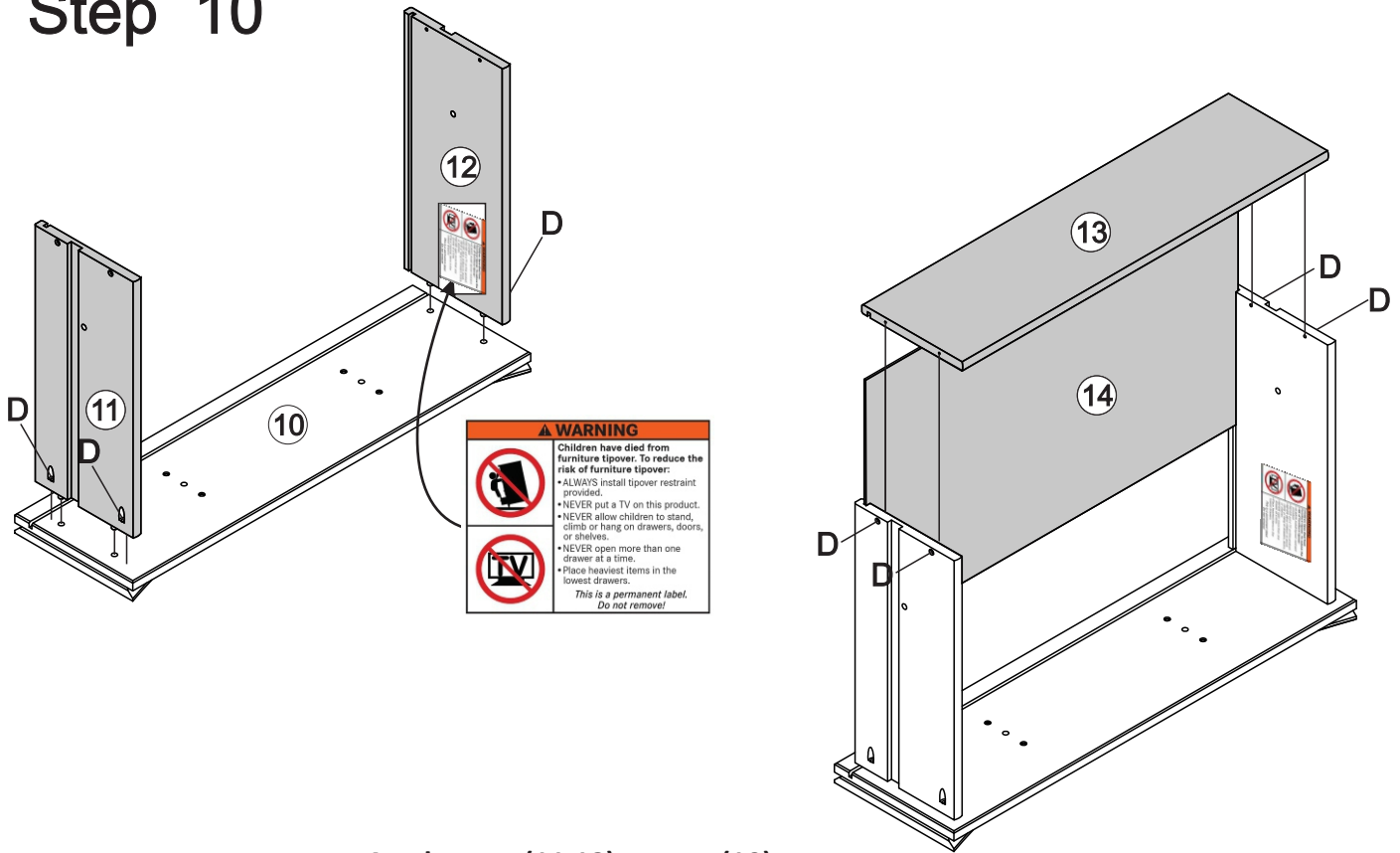
Step 9



C		24
	$\varnothing 4,0 \times 25\text{mm}$	

Attach part (9) to part (10), with screws (C).

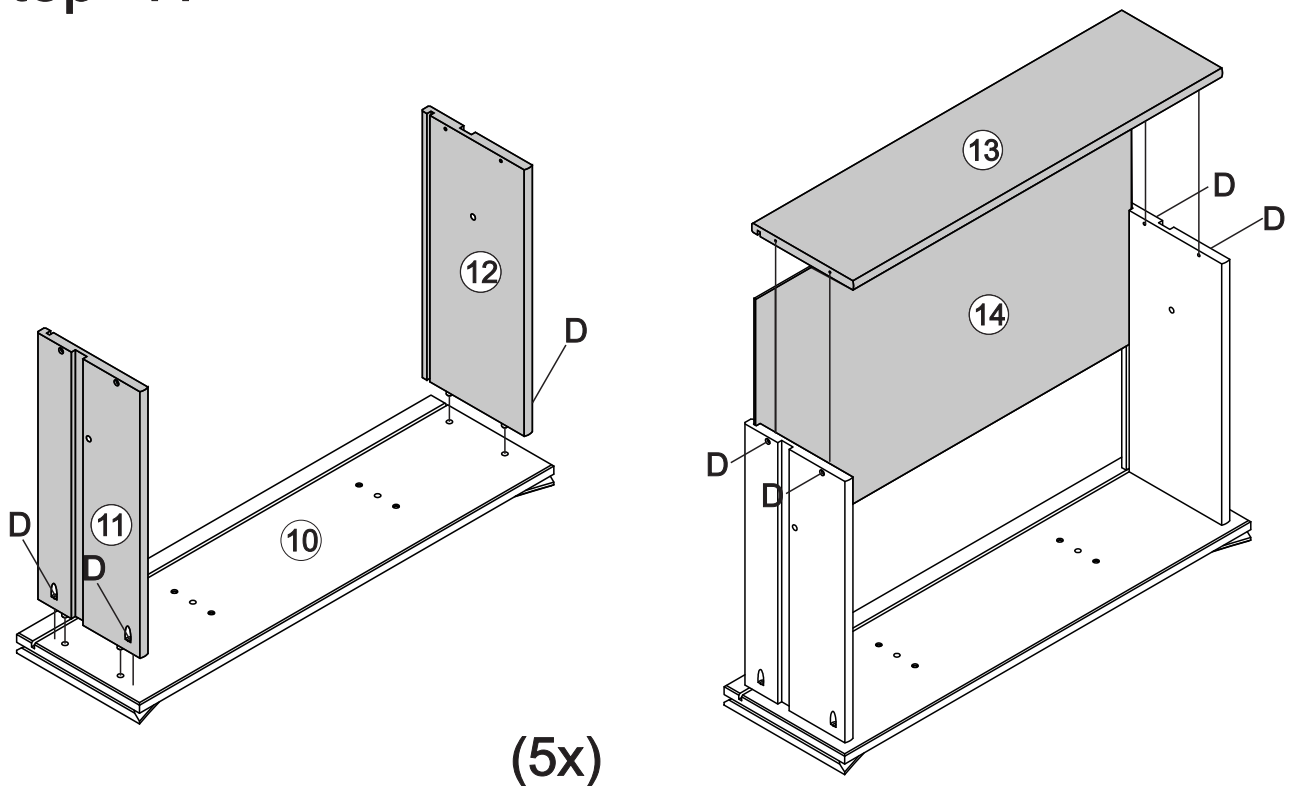
Step 10



Attach parts (11,12) to part (10), insert panel (14) into groves and secure part (13) with screws(D).



Step 11

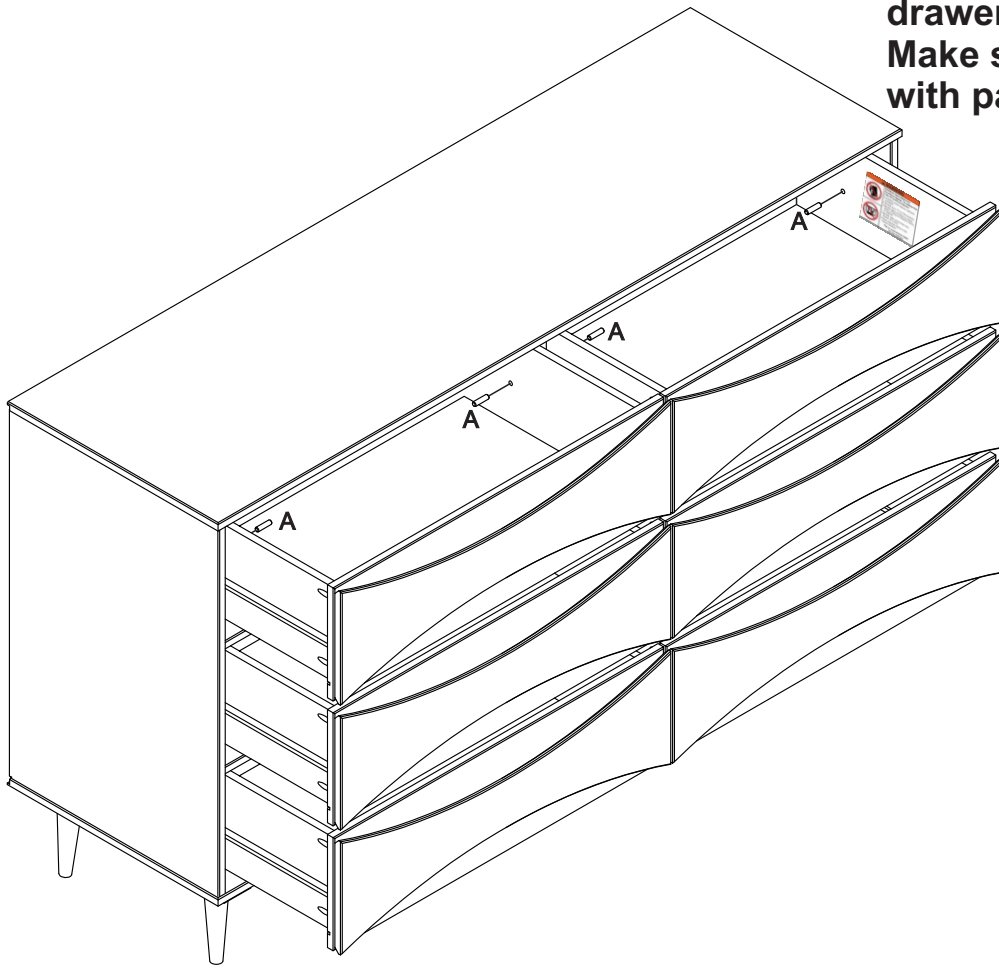


Attach parts (11,12) to part (10), insert panel (14) into groves and secure part (13) with screws(D).

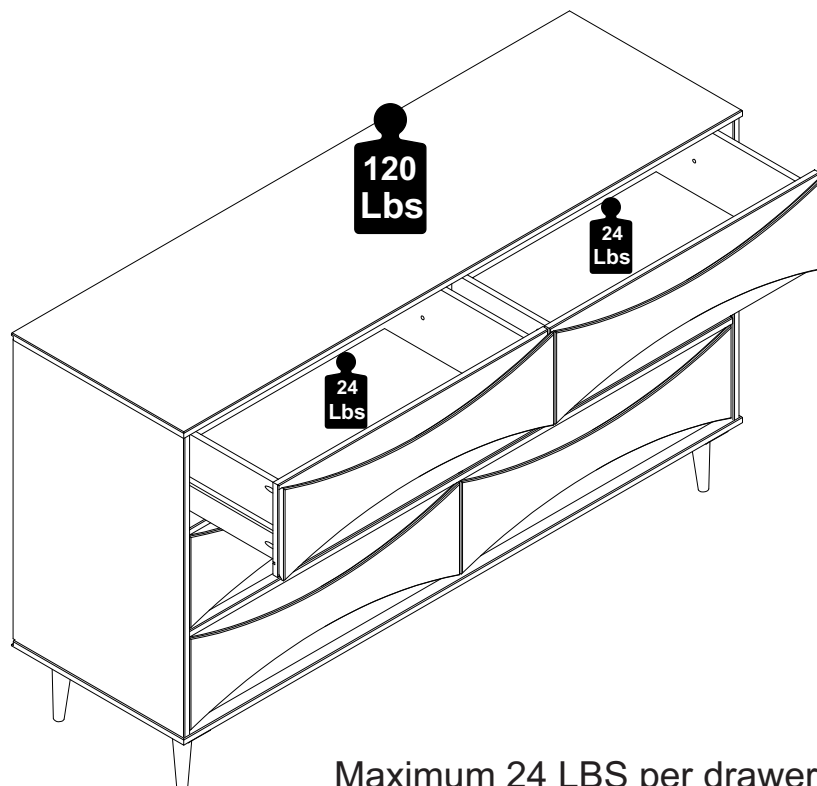


Step 12

Insert wood dowel (A) on the inside of all drawers while drawer is inside the unit. Make sure dowel is flush with panel.



Assembly Complete!



Maximum 24 LBS per drawer.

WARNING

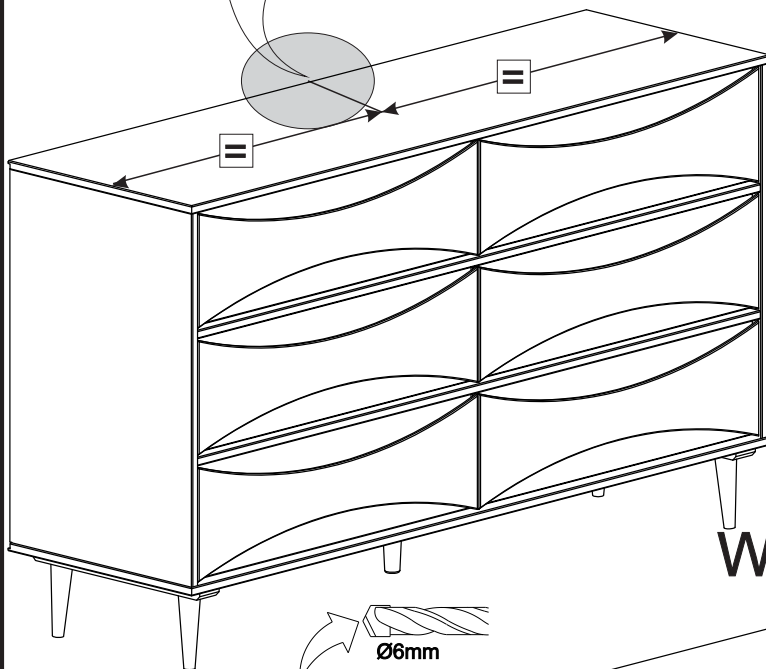
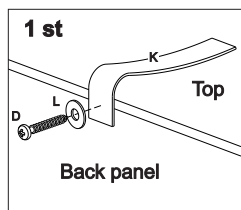
Serious or fatal injuries can occur from furniture tipping over. To prevent the furniture from tipping over we recommend that it is permanently fixed to the wall.

Wall anchor and hardware are included with this product. Please make sure hardware is suitable for your walls before installing, as different wall materials may require different types of anchors.



1st

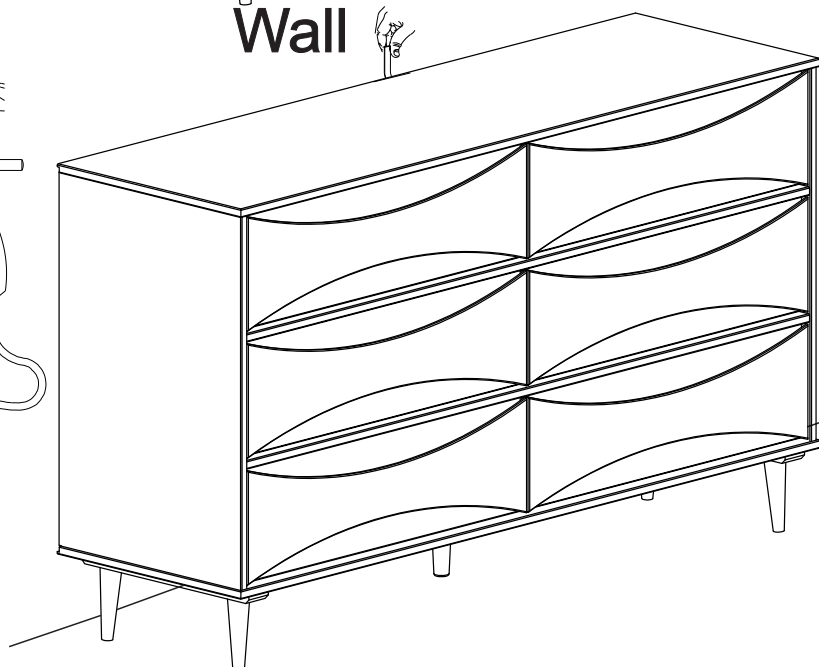
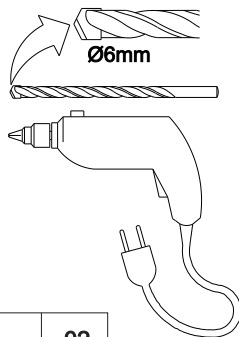
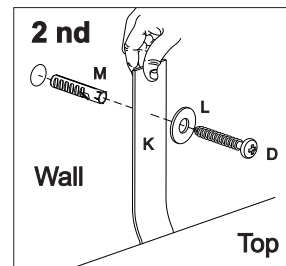
Attach part (K) with Screw (D) and Washer (L), in the frame of superior panel unit.



2nd

With drilling machine make one hole in the wall, Insert part (M) in the hole.

Secure part (K) with Screw (D) and Washer (L), in the wall.



D		02
K		01
L		02
M		01