










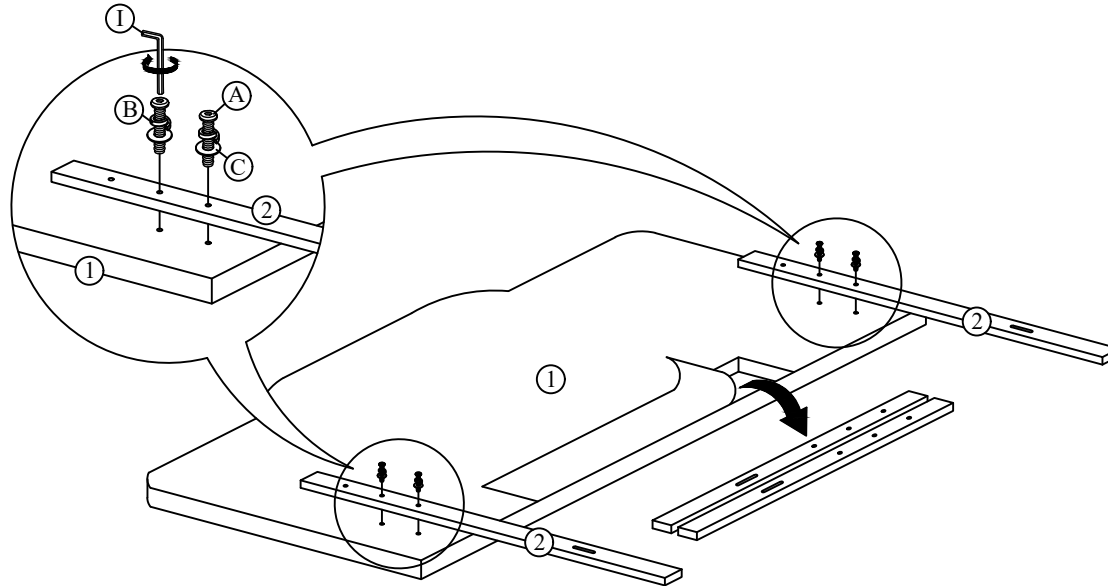


ASSEMBLY INSTRUCTION

ITEM : GREGORY- HEADBOARD

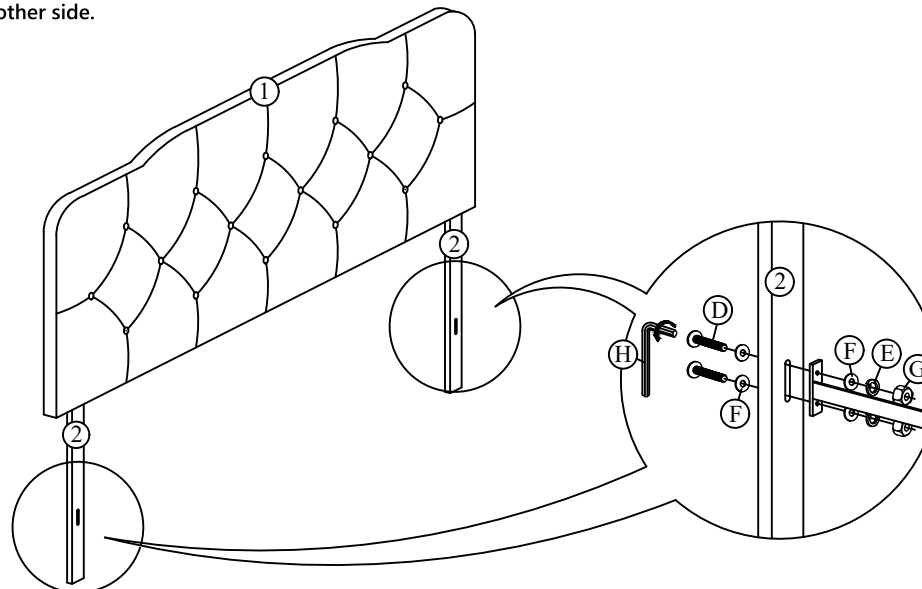
NO	PARTLIST	QTY
1	 HEADBOARD HEADBOARD	1PC
2	 HEADBOARD LEG HEADBOARD LEG	2PCS
ITEM	HARDWARE	QTY
A	 JCBB SCREW M8 x 35MM	4PCS
B	 SPRING WASHER M8 x 14MM	4PCS
C	 FLAT WASHER M8 x 22MM	4PCS
D	 JCBC SCREW M6 x 50MM	4PCS
E	 SPRING WASHER M6 x 12MM	4PCS
F	 FLAT WASHER M6 x 19MM	8PCS
G	 HEX NUT	4PCS
H	 L - KEY M4 x 65MM	1PC
I	 L - KEY M5 x 65MM	1PC

STEP 1: Begin assembly by attaching each headboard leg (2) to the bottom of headboard (1) by aligning the holes and securing with 2 Allen Bolts (A), 2 Spring Washer (B), 2 Flat Washer (C) per leg using L-Key (I)



STEP 2: Assembly completed and the headboard is ready to use now.

NOTE: Extra screw were provided for attaching the headboard to your bed frame (use is optional). Attach the bed frame (not included) to each headboard leg (2) by using 2 Allen Bolts (D), Flat Washer (F) from the back and 2 Flat Washer (F), 2 Spring Washer (E) and 2 Hex Nut (G) from the front with L-Key (H) provided. repeat the same step for the other side.



**ASSEMBLY
COMPLETED**