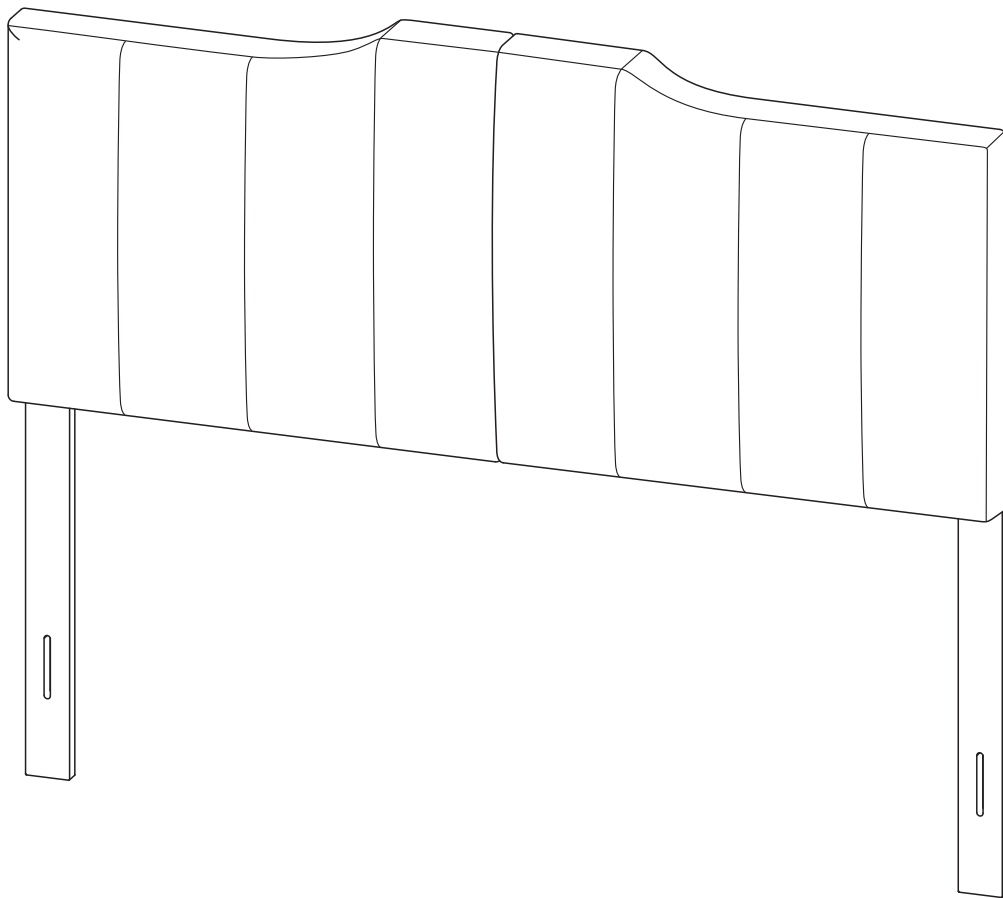




REV 01



**33635 Headboard**

## ***PLEASE CONTACT US FOR QUESTIONS***

---

Email our support team: [help@ovis.co](mailto:help@ovis.co)

### **CAUTION:**

When placing furniture on non-carpeted flooring, we recommend the use of floor protection such as an area rug or furniture pads. Area rugs and padding not included with purchase.



Estimated Time for Assembly

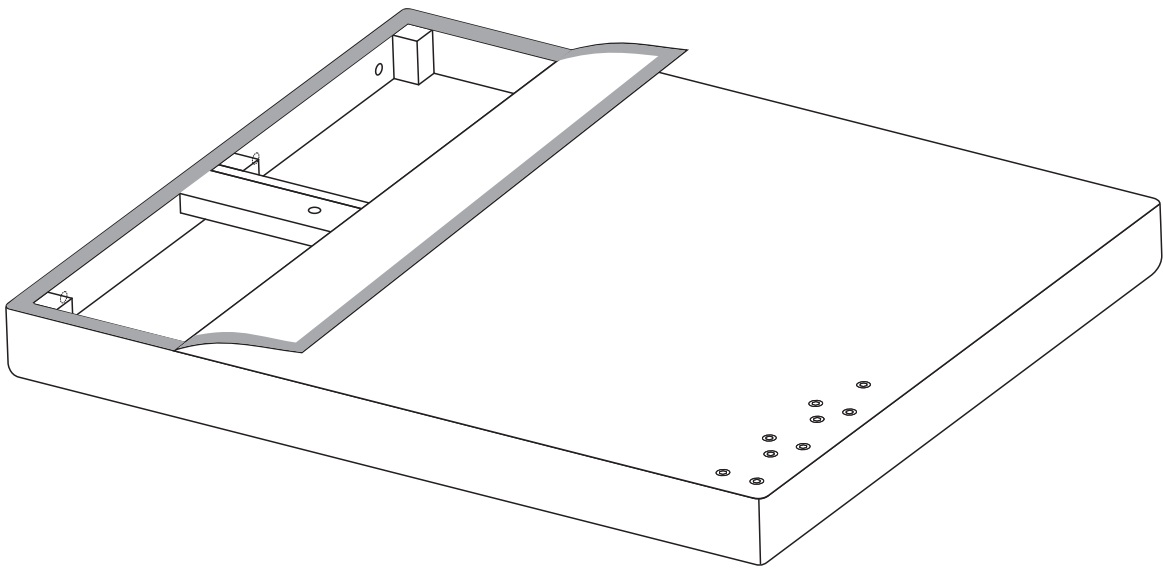
**10:00 - 15:00**

## ***PLEASE CONTACT US FOR QUESTIONS***

---

Email our support team: [help@ovis.co](mailto:help@ovis.co)

Bed parts are shipped inside a compartment in the back of the right half side of headboard view from back.

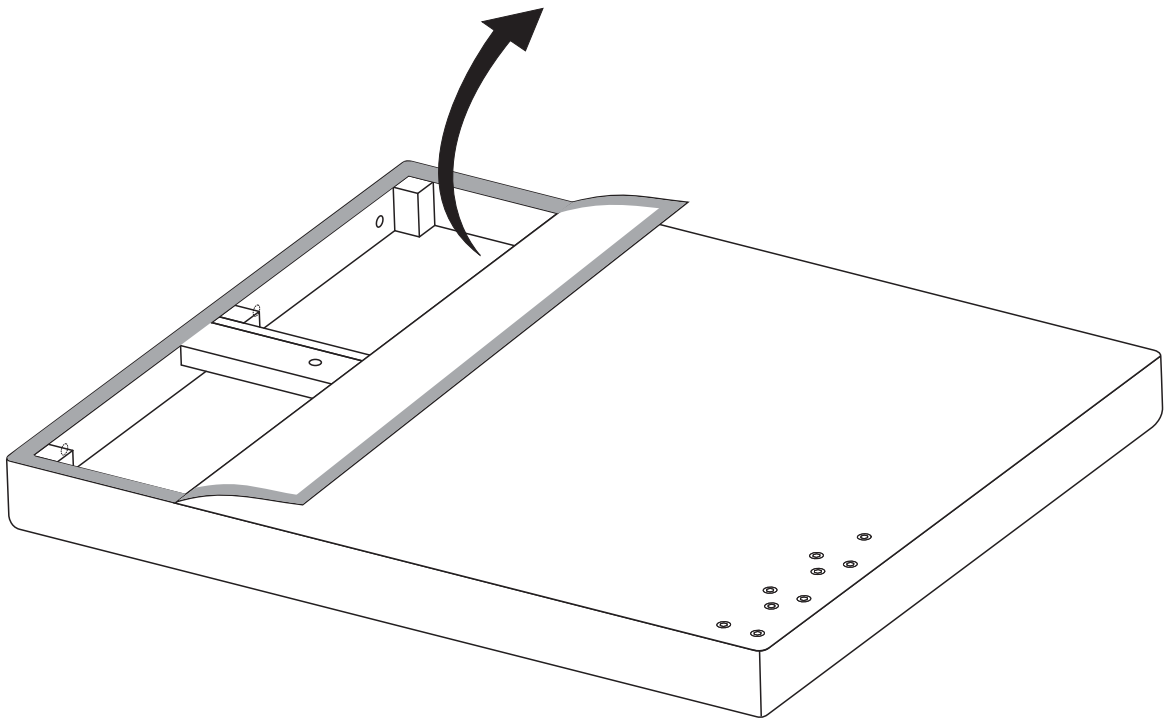


***PLEASE CONTACT US FOR QUESTIONS***

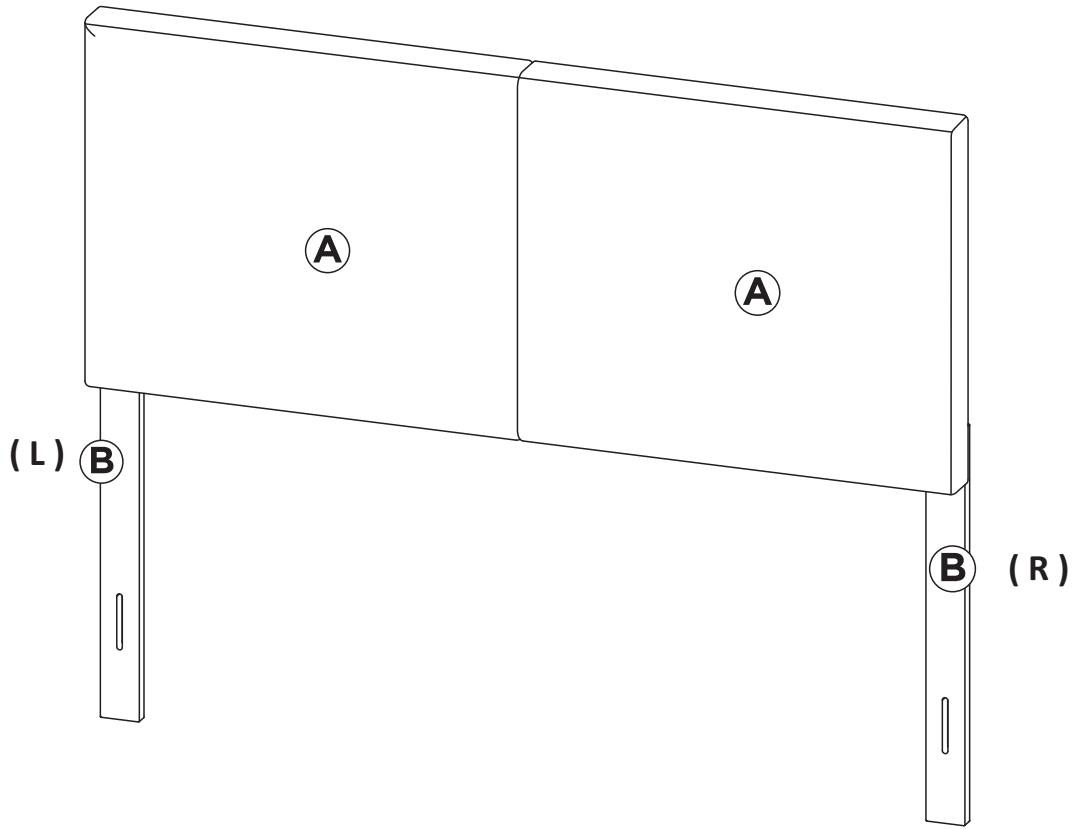
---

Email our support team: [help@ovis.co](mailto:help@ovis.co)

**Remove parts from headboard  
compartment**

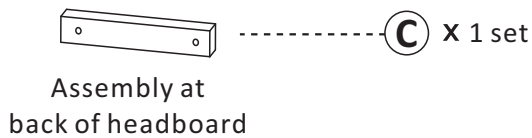
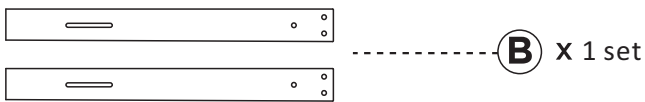
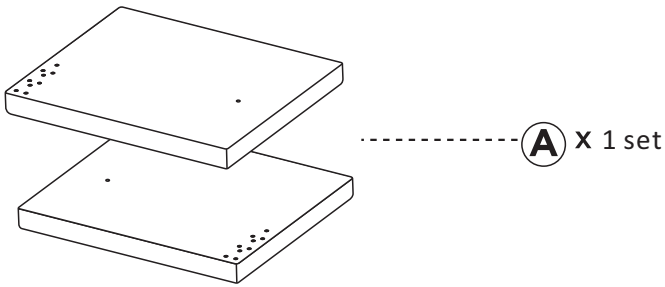


# PACKAGE CONTENT

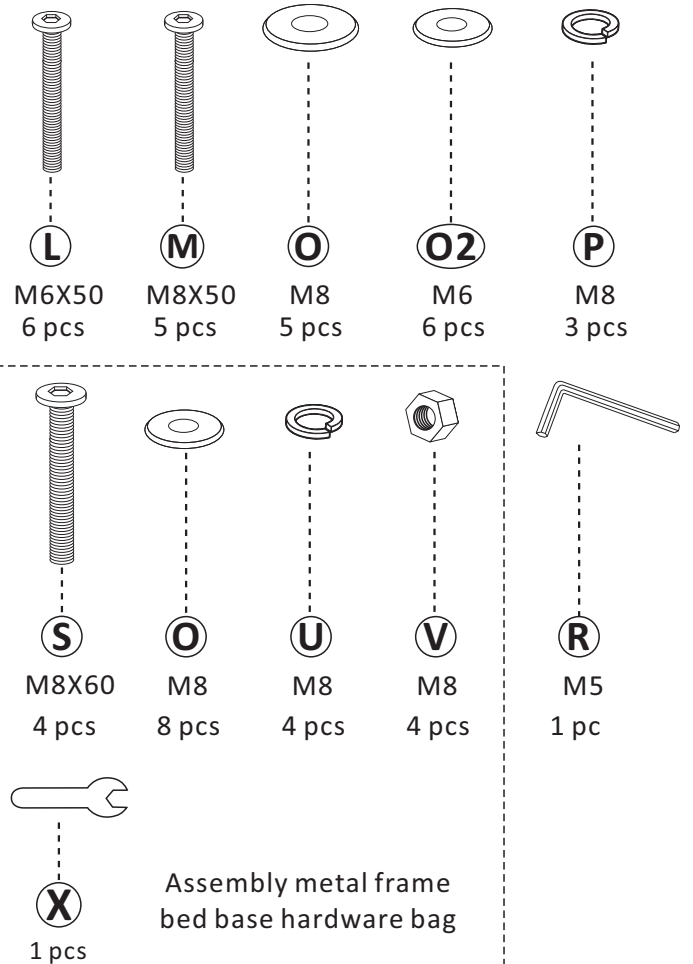


Split Headboard

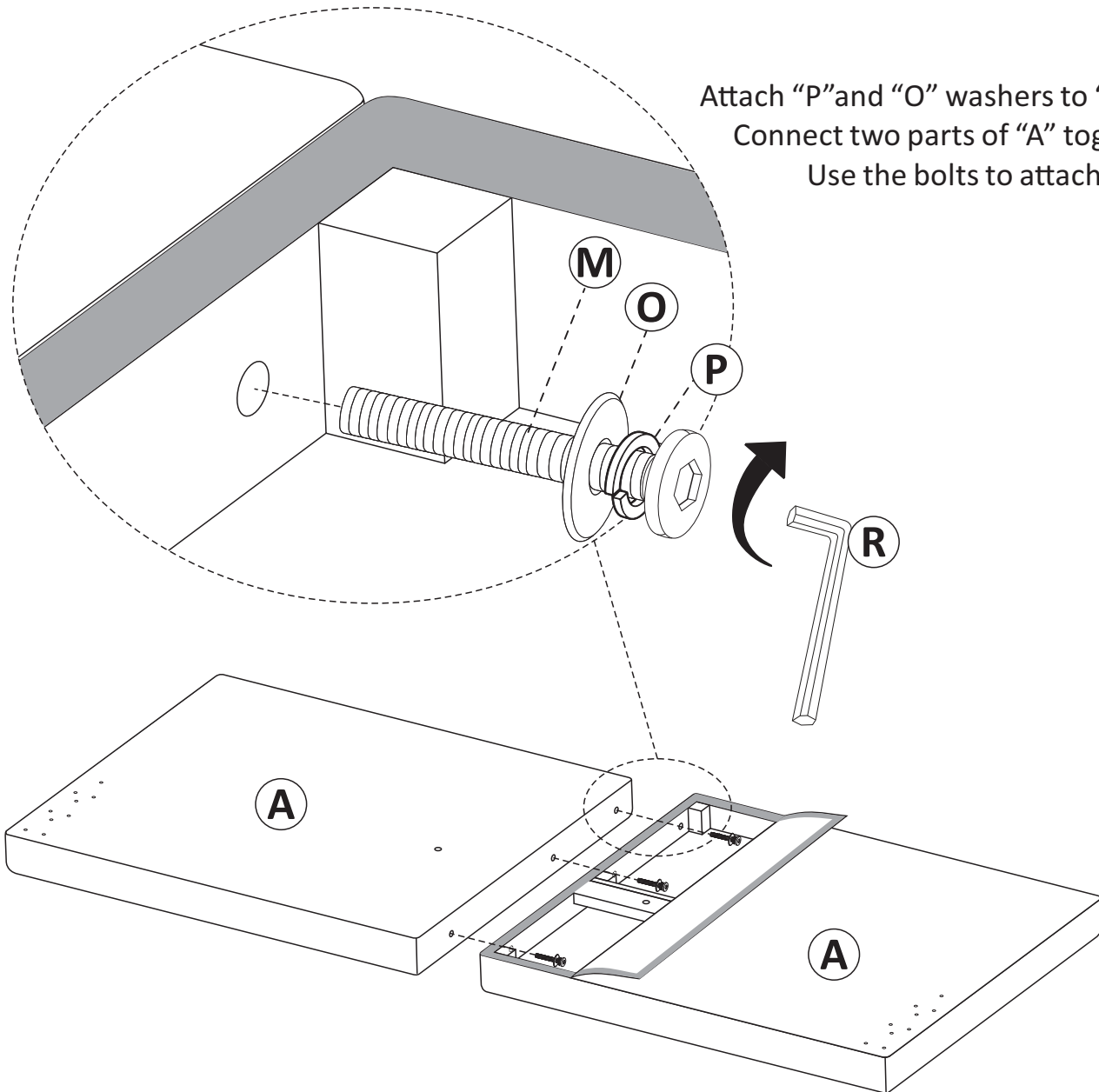
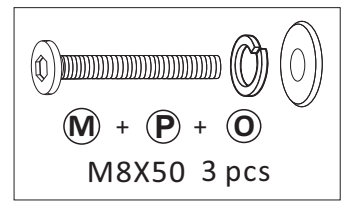
## Components



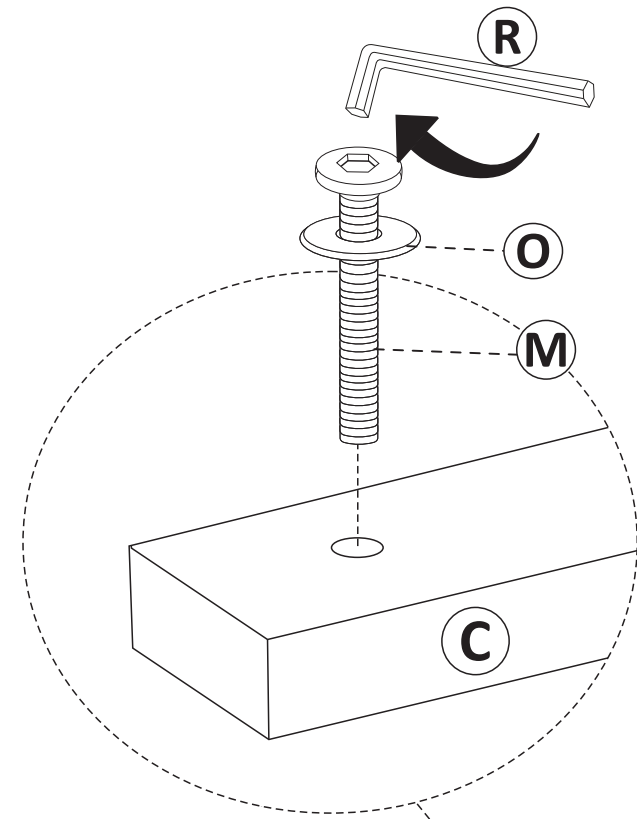
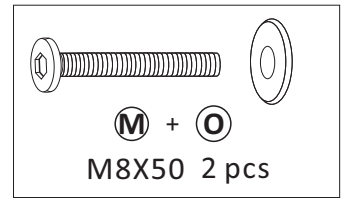
## Hardware



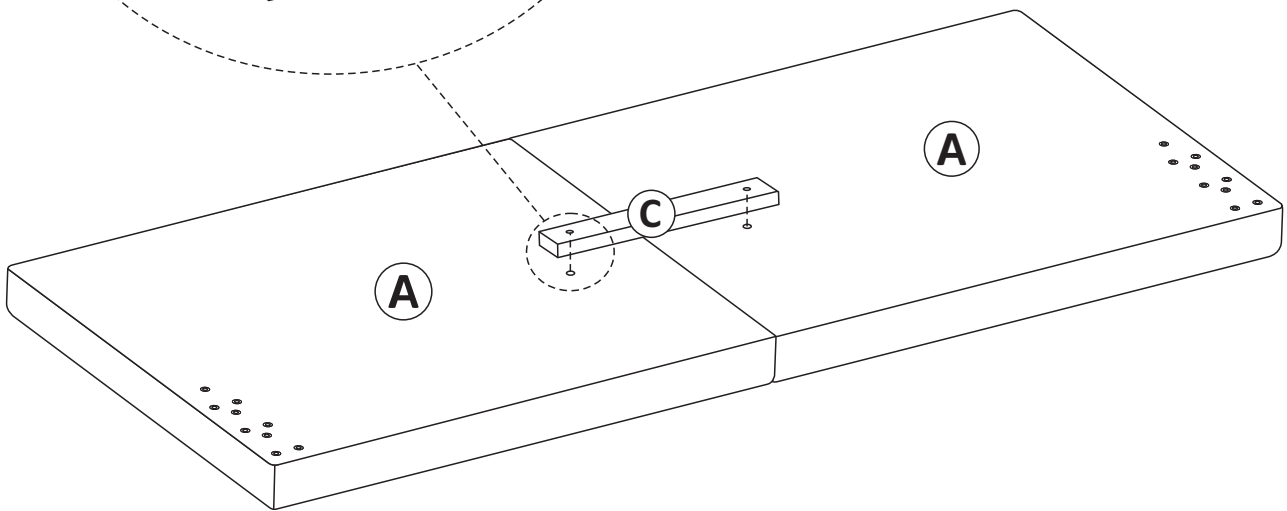
# 1.



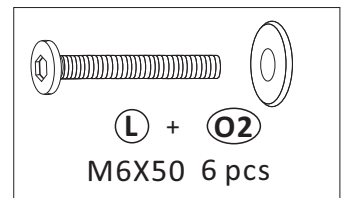
2.



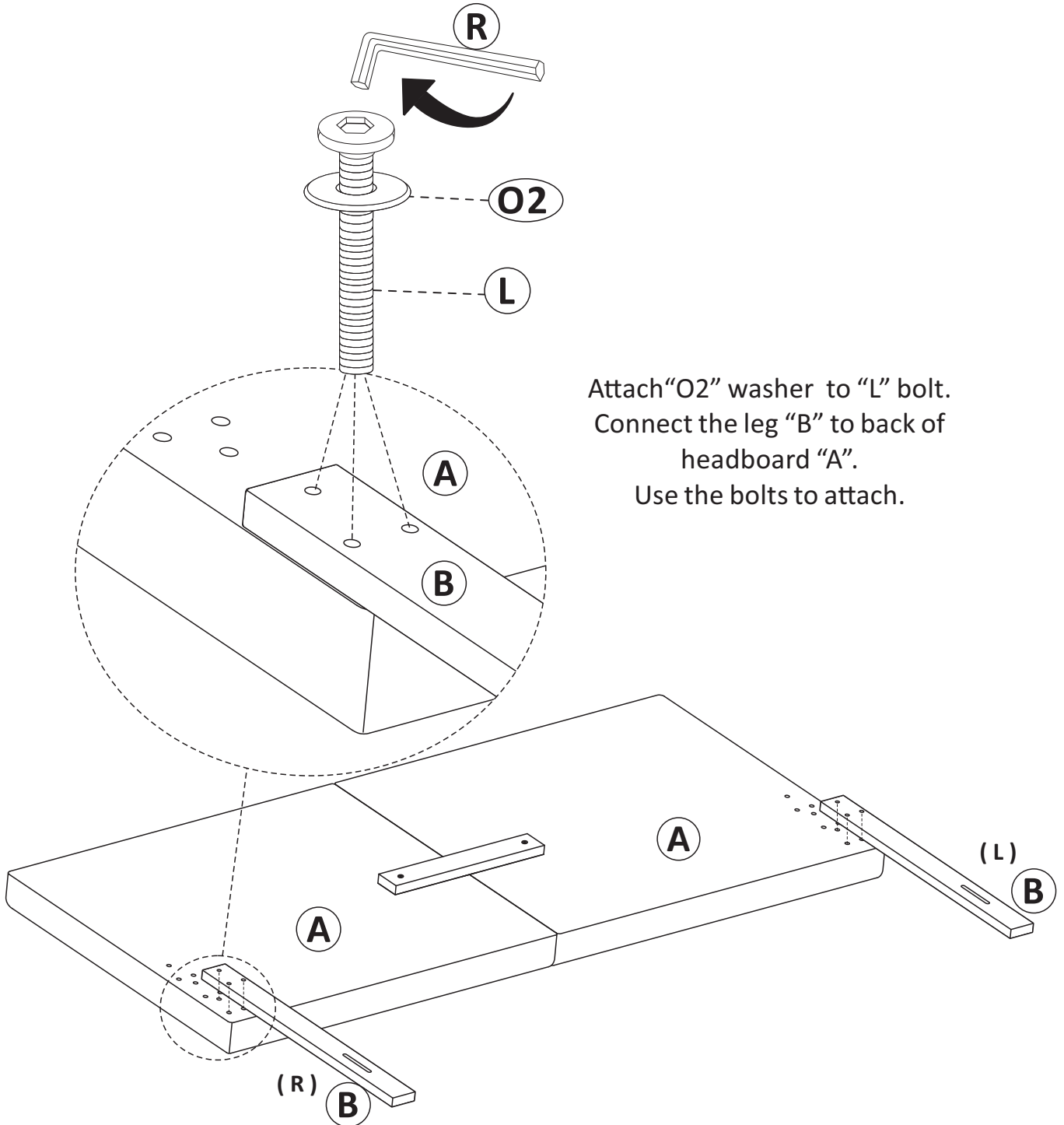
Attach "O" washer to "M" bolt.  
Connect the wood rail "C" to back  
of headboard "A".  
Use the bolts to attach.



# 3.



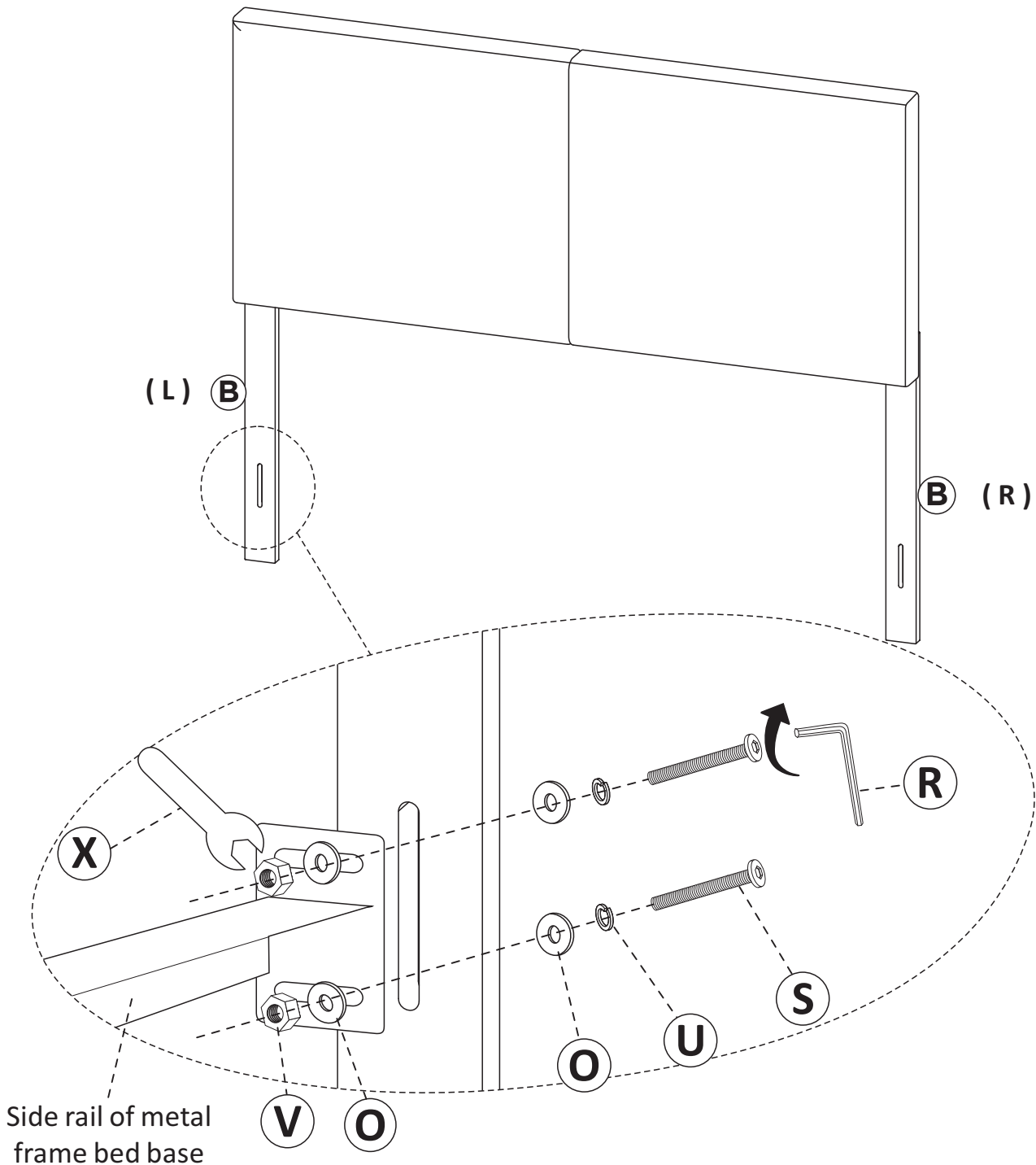
Headboard height can be adjusted to 3 positions.  
Use upper holes for a thin mattress or lower holes for a thick mattress.  
Select the proper position for your desired bed height.





**4.**

Attach “U” and “O” washers to bolt “S”. Hold the bolts “S” steady with the “R” Allen wrench. Attach a “V” nut and “O” washer to the other side of the bolt as shown. Tighten the nut against the bed frame bracket with the “X” wrench. (Bed frame is not included.)



**NEED ADDITIONAL HELP?**

Email our support team: [help@ovis.co](mailto:help@ovis.co)