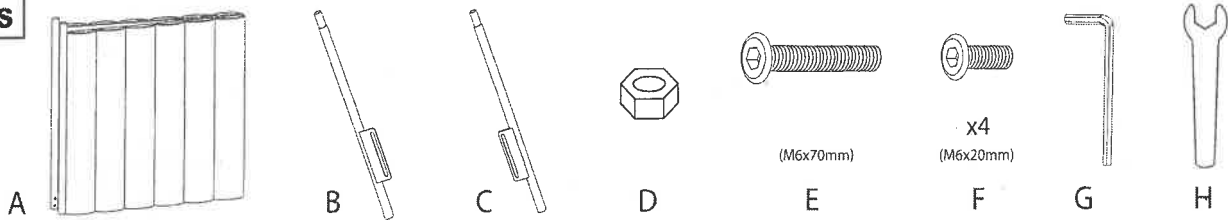


Chloe Head Board

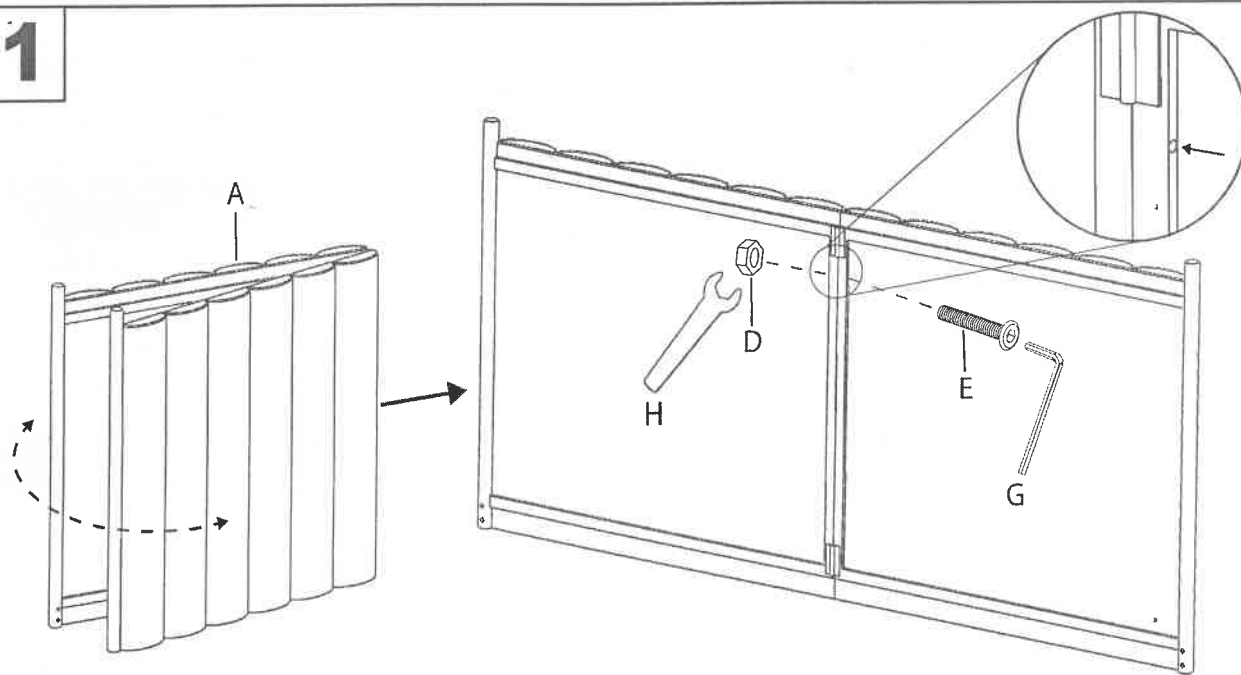
Part # HB-CHLOE XX+XX

19-1021

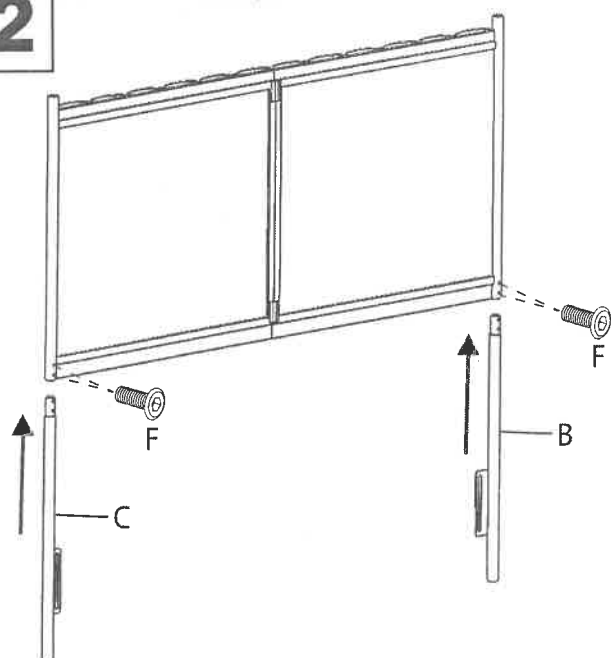
PARTS



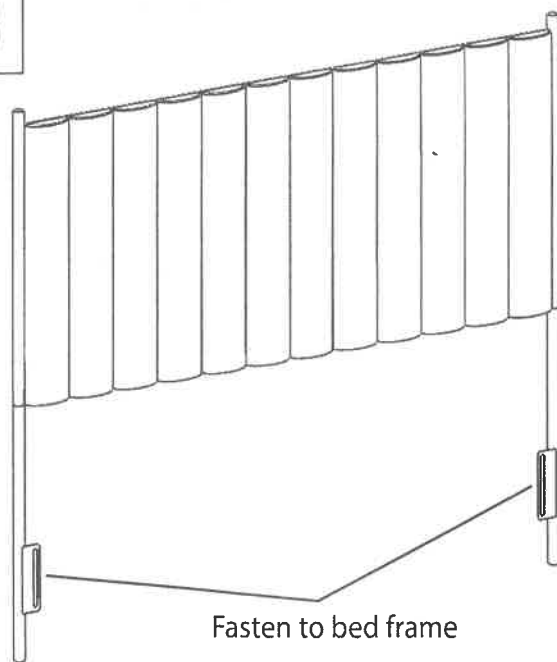
1



2



3



Do not over tighten.
 Do not use power tools to assemble.